



US00D774155S

(12) **United States Design Patent**
Houle

(10) **Patent No.:** **US D774,155 S**

(45) **Date of Patent:** **** Dec. 13, 2016**

(54) **STRING BUMPER**

(71) Applicant: **PLACEMENTS GASTON HOULE INC., Wickham (CA)**

(72) Inventor: **Gaston Houle, Wickham (CA)**

(73) Assignee: **PLACEMENTS GASTON HOULE INC., Wickham (CA)**

(**) Term: **15 Years**

(21) Appl. No.: **29/529,137**

(22) Filed: **Jun. 4, 2015**

(51) **LOC (10) Cl.** **22-01**

(52) **U.S. Cl.**
USPC **D22/107**

(58) **Field of Classification Search**
USPC D22/107; D21/753
CPC F41B 5/1426; F41B 5/10; F41B 5/1407
See application file for complete search history.

(56) **References Cited**

U.S. PATENT DOCUMENTS

- 3,059,629 A * 10/1962 Stinson F41B 5/00
124/23.1
- 3,612,029 A * 10/1971 Carroll F41B 5/1407
124/92

6,761,158 B2 * 7/2004 Wright F41B 5/1407
124/92

7,703,449 B2 * 4/2010 Wright F41B 5/1426
124/89

D679,357 S * 4/2013 Wright D22/107

* cited by examiner

Primary Examiner — Michael A Pratt

(74) *Attorney, Agent, or Firm* — Mathieu Audet

(57) **CLAIM**

The ornamental design for a string bumper, as shown.

DESCRIPTION

FIG. 1 is an isometric view of a first version of an exemplary string bumper;

FIG. 2 is a right side elevational view of the first version thereof;

FIG. 3 is a left side elevational view of the first version thereof;

FIG. 4 is a front elevational view of the first version thereof;

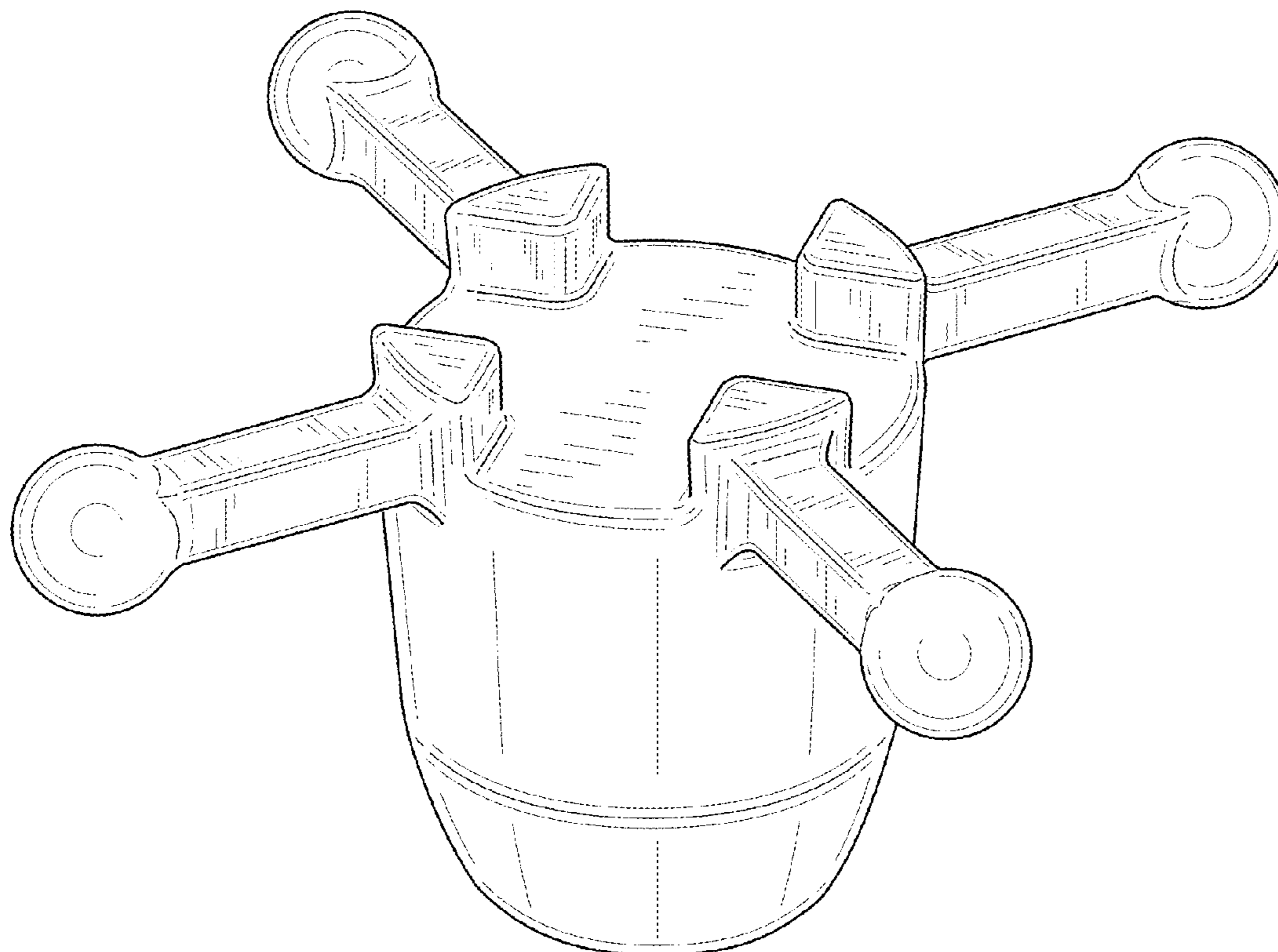
FIG. 5 is a back elevational view of the first version thereof;

FIG. 6 is a top side elevational view of the first version thereof;

FIG. 7 is a bottom side elevational view of the first version thereof; and,

FIG. 8 is a section view of the first version thereof.

1 Claim, 8 Drawing Sheets



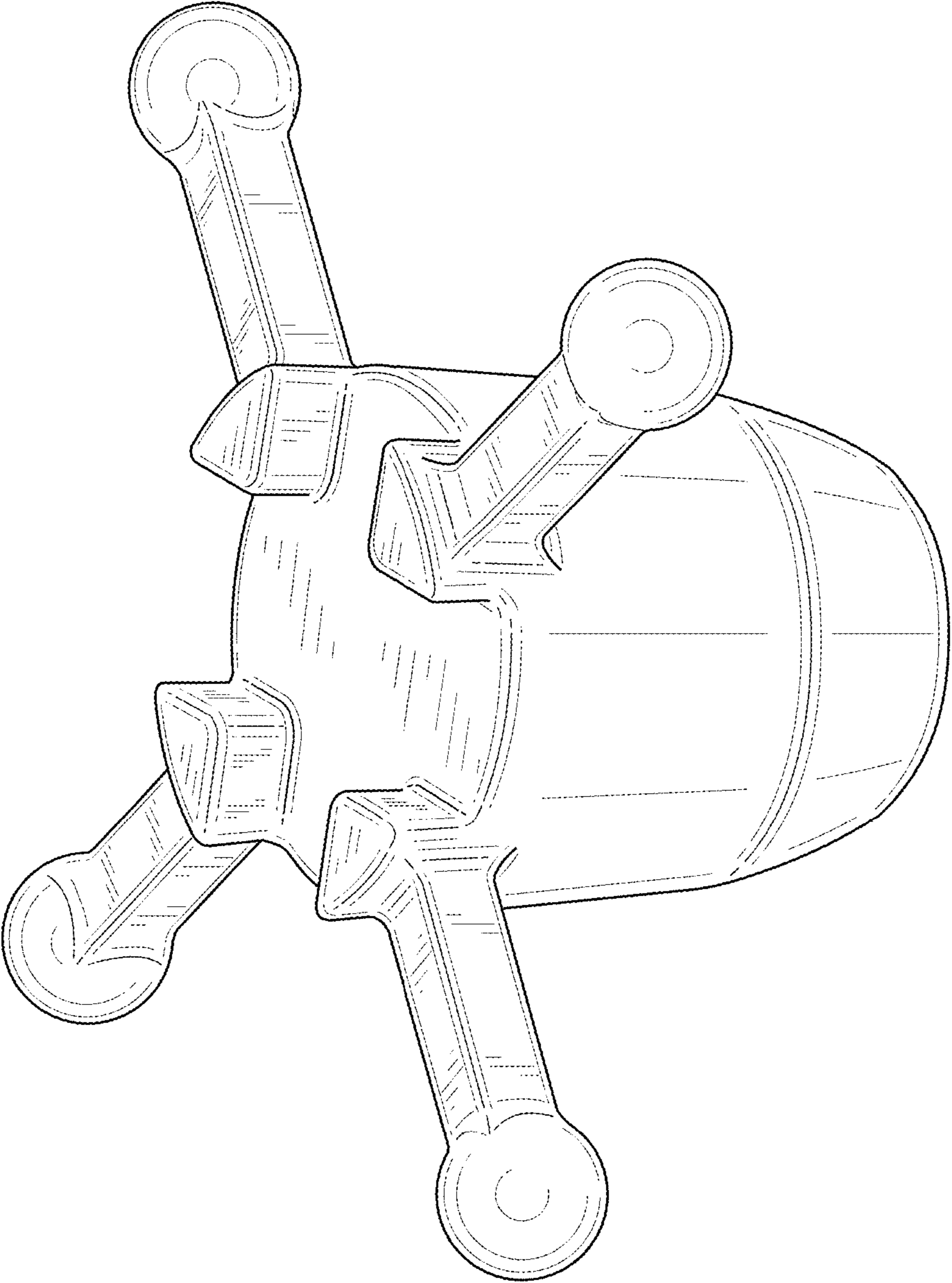


FIG. 1

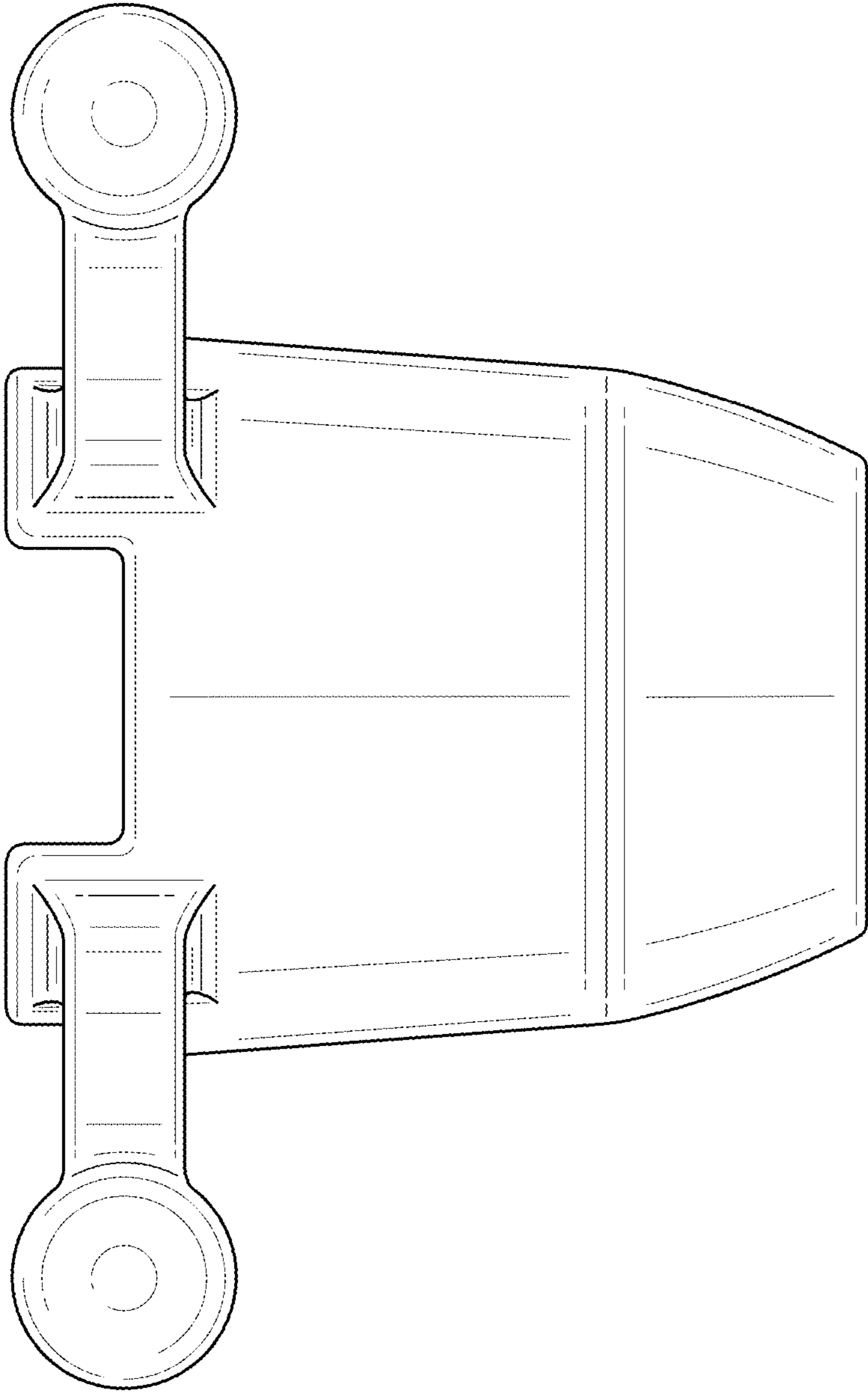


FIG. 2

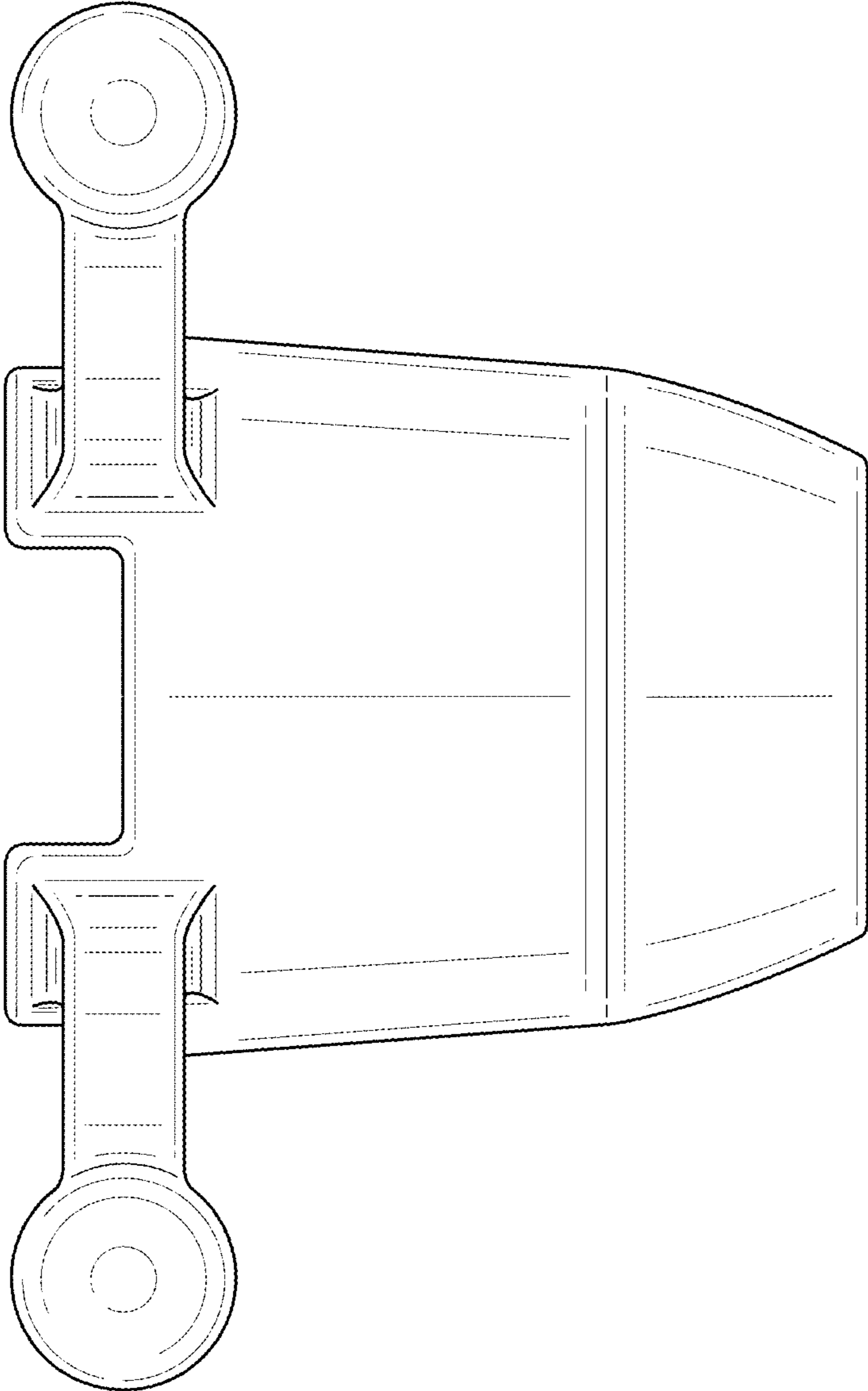


FIG. 3

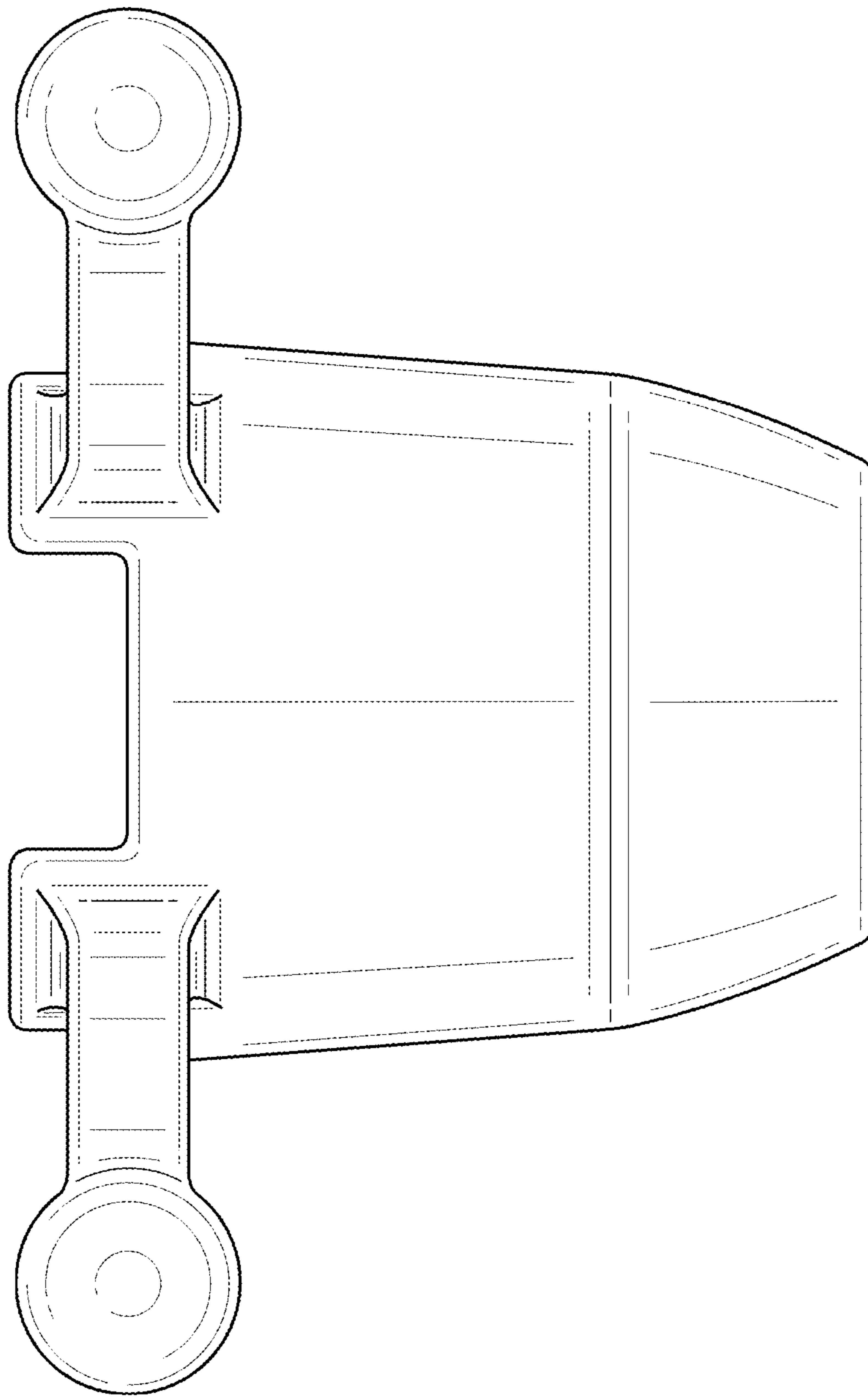


FIG. 4

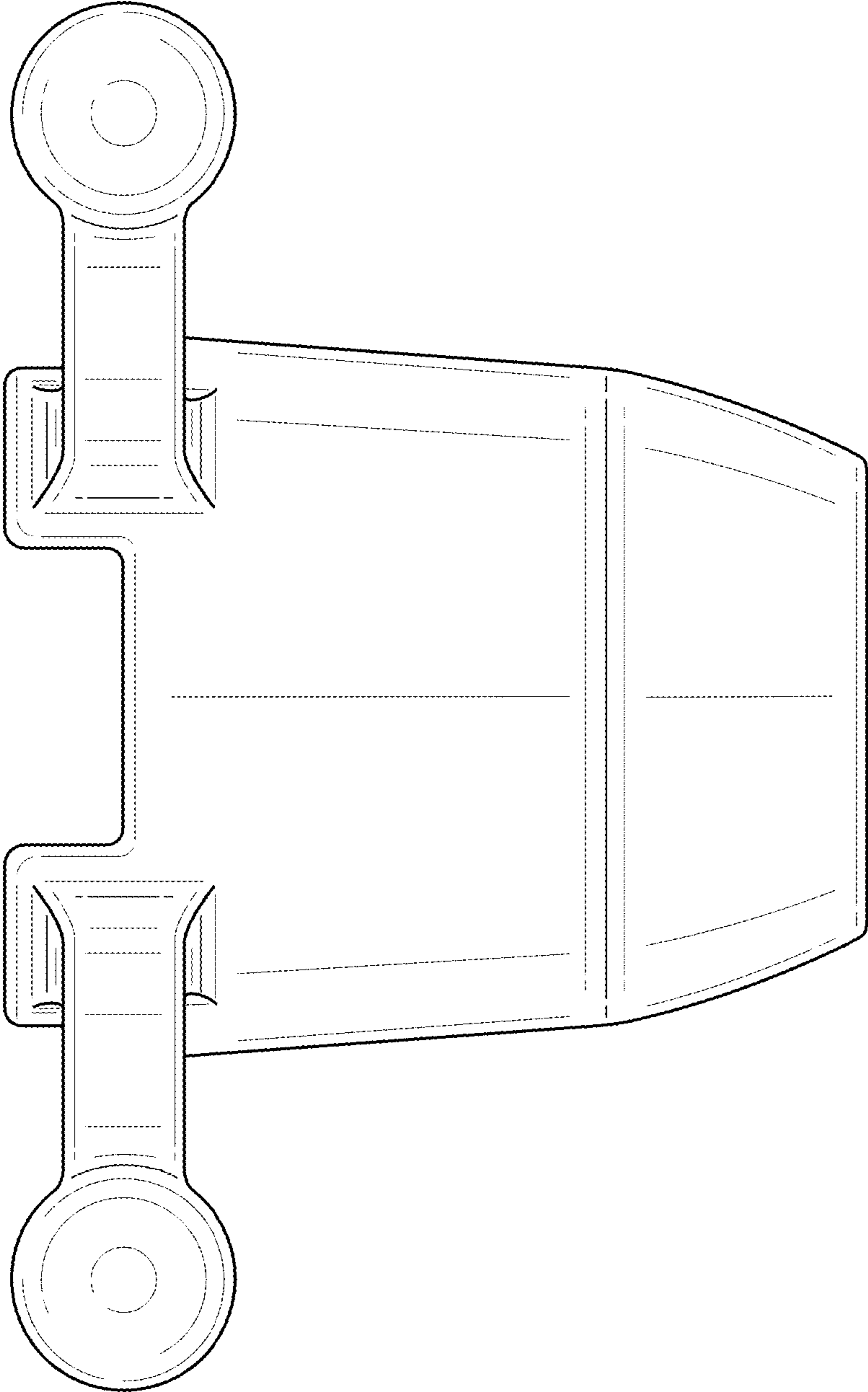


FIG. 5

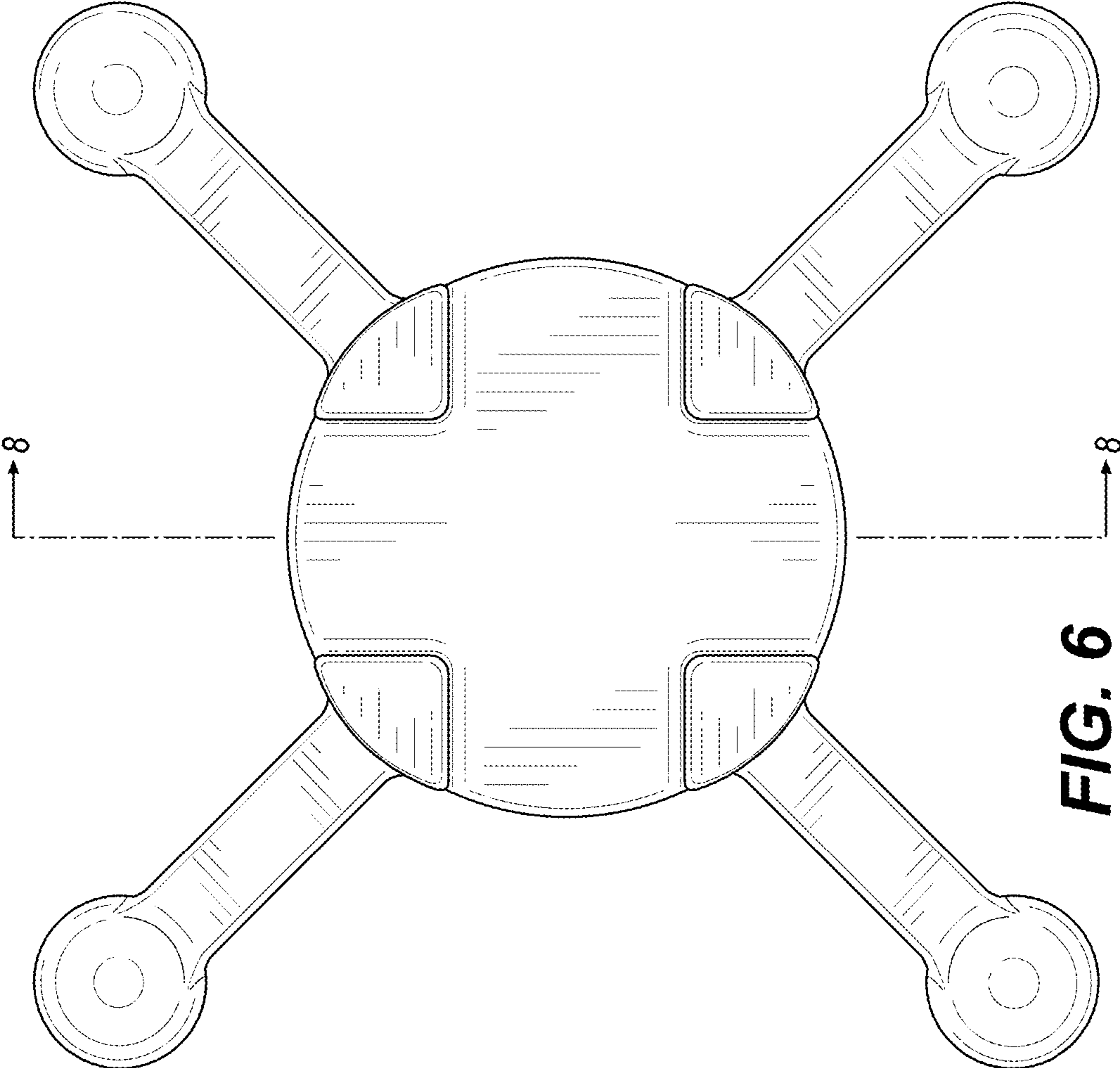


FIG. 6

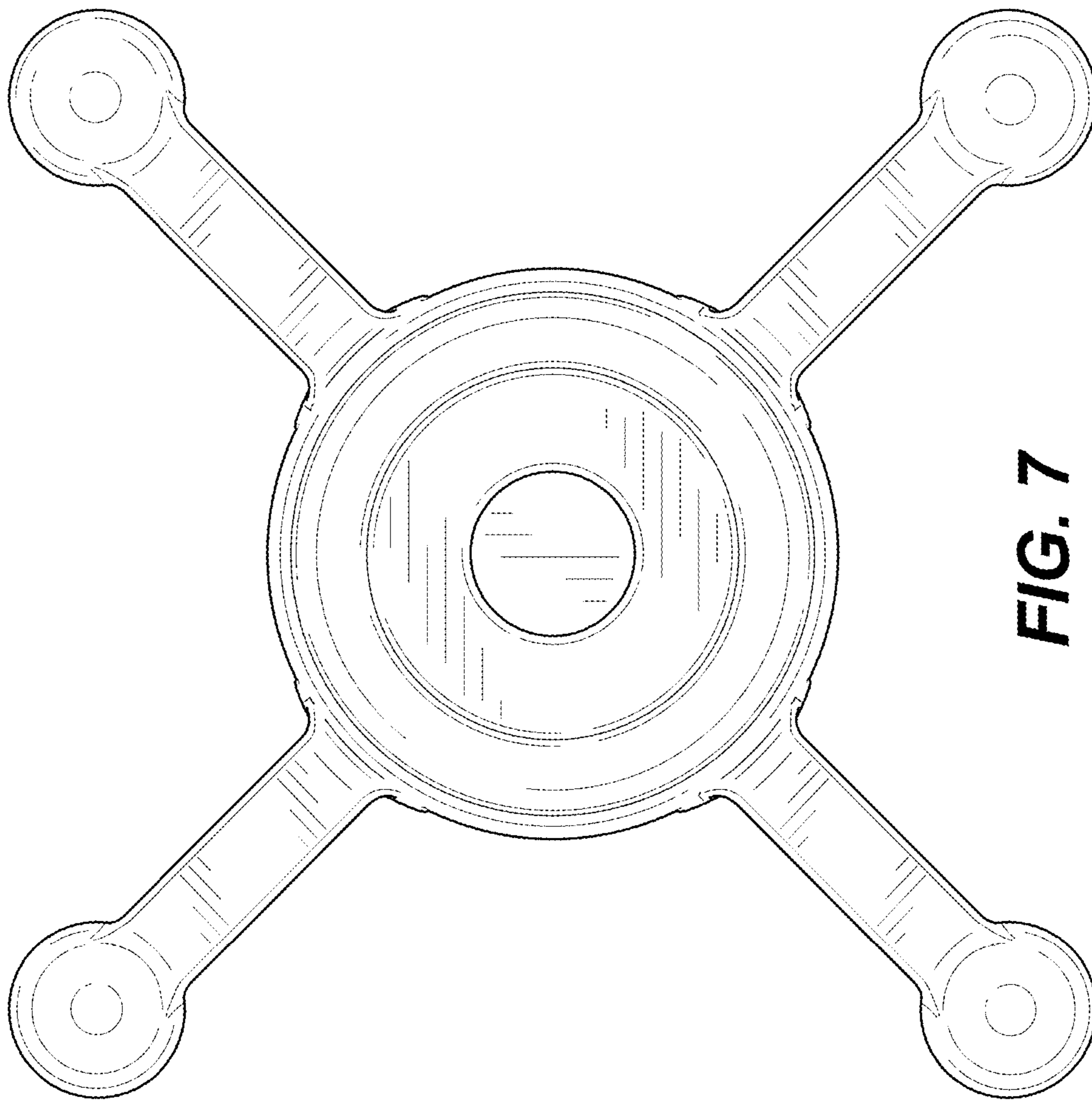


FIG. 7

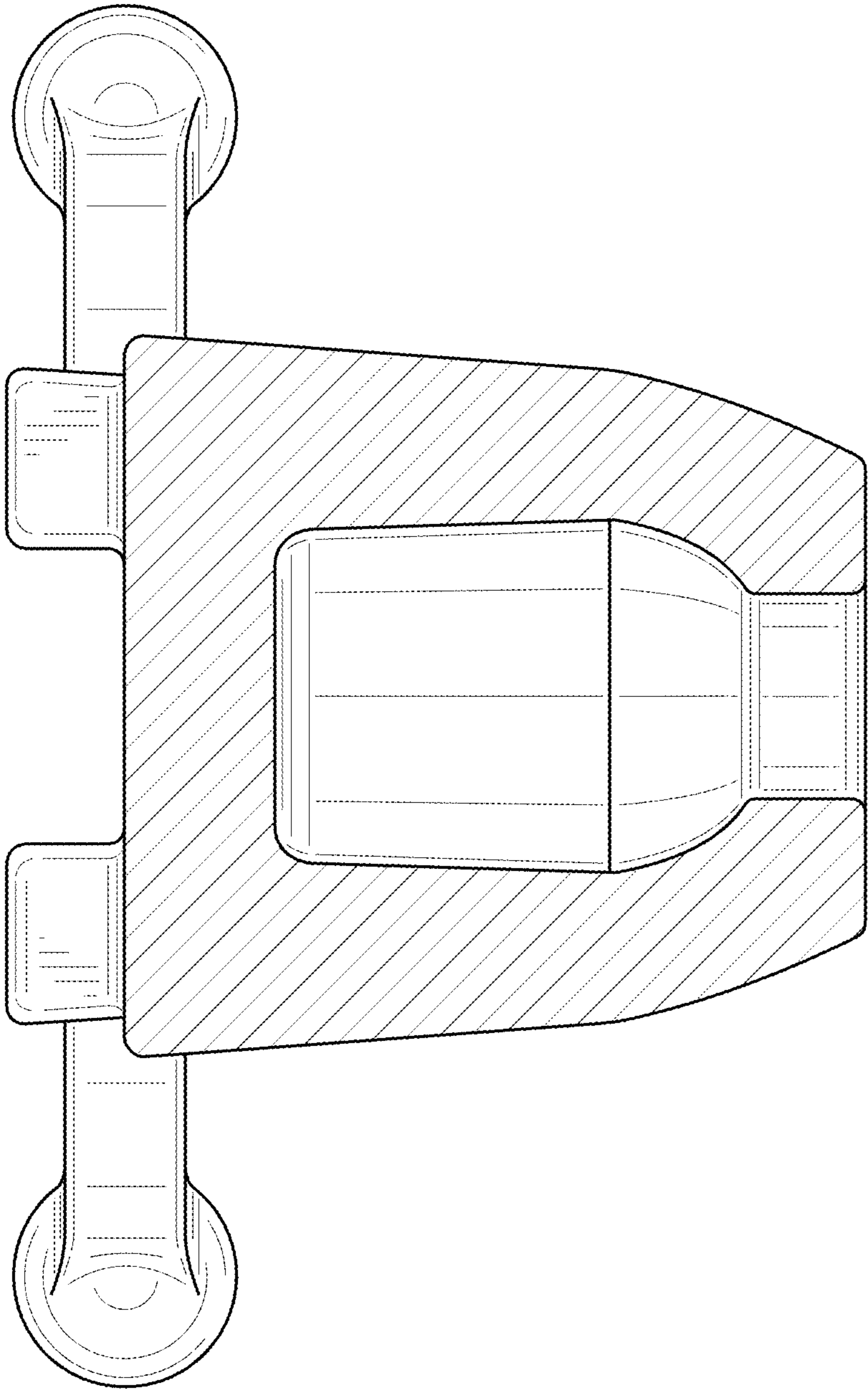


FIG. 8