



US00D774153S

(12) **United States Design Patent**
Zwart

(10) **Patent No.:** **US D774,153 S**

(45) **Date of Patent:** **** Dec. 13, 2016**

(54) **GOLF BALL CARRYING AND ALIGNMENT TOOL**

(71) Applicant: **Sandgroup International Ltd.**, Hong Kong (CN)

(72) Inventor: **Michel Zwart**, Haarlem (NL)

(73) Assignee: **Sandgroup International, Ltd.**, Kwai Chung (HK)

(**) Term: **14 Years**

(21) Appl. No.: **29/511,405**

(22) Filed: **Dec. 10, 2014**

(51) **LOC (10) Cl.** **21-02**

(52) **U.S. Cl.**
USPC **D21/793**; D21/796

(58) **Field of Classification Search**
USPC D21/789, 793, 794, 796; D3/257, 318, D3/320
CPC A63B 57/50; A63B 57/20; A63B 57/207; A63B 57/30; A63B 57/35; A63B 57/353
See application file for complete search history.

(56) **References Cited**

U.S. PATENT DOCUMENTS

D238,436 S *	1/1976	McKelvey	D21/793
D285,233 S *	8/1986	Owen	D21/793
D306,057 S *	2/1990	Vaughan, Jr.	D21/793
5,388,824 A *	2/1995	Reimers	A63B 57/00 473/406
5,449,169 A *	9/1995	Hardin	A63B 57/50 473/408
D369,637 S *	5/1996	Digerness	D21/793
D425,163 S *	5/2000	Cauffman	D21/793
6,413,174 B1 *	7/2002	Roberts	A63B 57/50 473/408

6,428,430 B1 *	8/2002	Chong	A63B 57/207 473/406
D471,944 S *	3/2003	Freitas	D21/793
D500,828 S *	1/2005	Pace	D21/793
6,837,807 B1 *	1/2005	Kerr	A63B 57/50 473/286
D516,153 S *	2/2006	Cheng	D21/795
D570,946 S *	6/2008	Oas	D21/793
7,686,710 B2 *	3/2010	Leiber	A63B 57/50 473/408
D623,352 S *	9/2010	Melgaard	D21/793
D651,272 S *	12/2011	Corcoran	D21/793
D669,148 S *	10/2012	Dalton	D21/793
D669,952 S *	10/2012	Zwart	D21/793
8,342,986 B2 *	1/2013	Rourke	A63B 57/50 473/408
D683,413 S *	5/2013	Revert	D21/793
D699,804 S *	2/2014	Zwart	D21/793
D700,262 S *	2/2014	Zwart	D21/793
D700,263 S *	2/2014	Zwart	D21/793
D737,394 S *	8/2015	Cruz	D21/793

* cited by examiner

Primary Examiner — Mitchell Siegel

(74) *Attorney, Agent, or Firm* — Jason T. Daniel, Esq.; Daniel Law Offices, P.A.

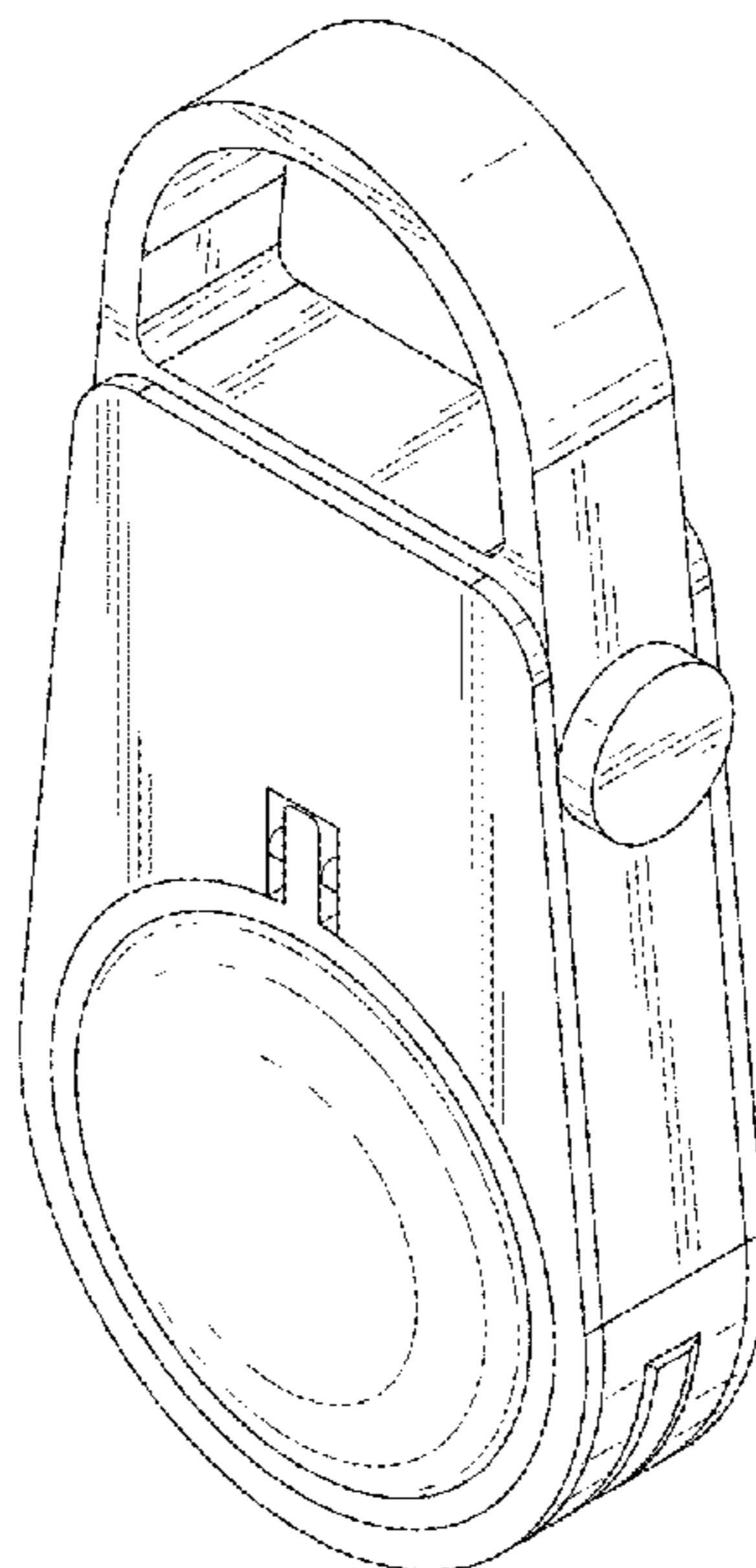
(57) **CLAIM**

The ornamental design for a golf ball carrying and alignment tool, as shown and described.

DESCRIPTION

FIG. 1 is a perspective view thereof, FIG. 2 is a front side elevational view thereof, FIG. 3 is a back side elevational view thereof, FIG. 4 is a right side elevational view thereof, FIG. 5 is a left side elevational view thereof, and FIG. 6 is a bottom side elevational view thereof. The top side is unornamented.

1 Claim, 6 Drawing Sheets



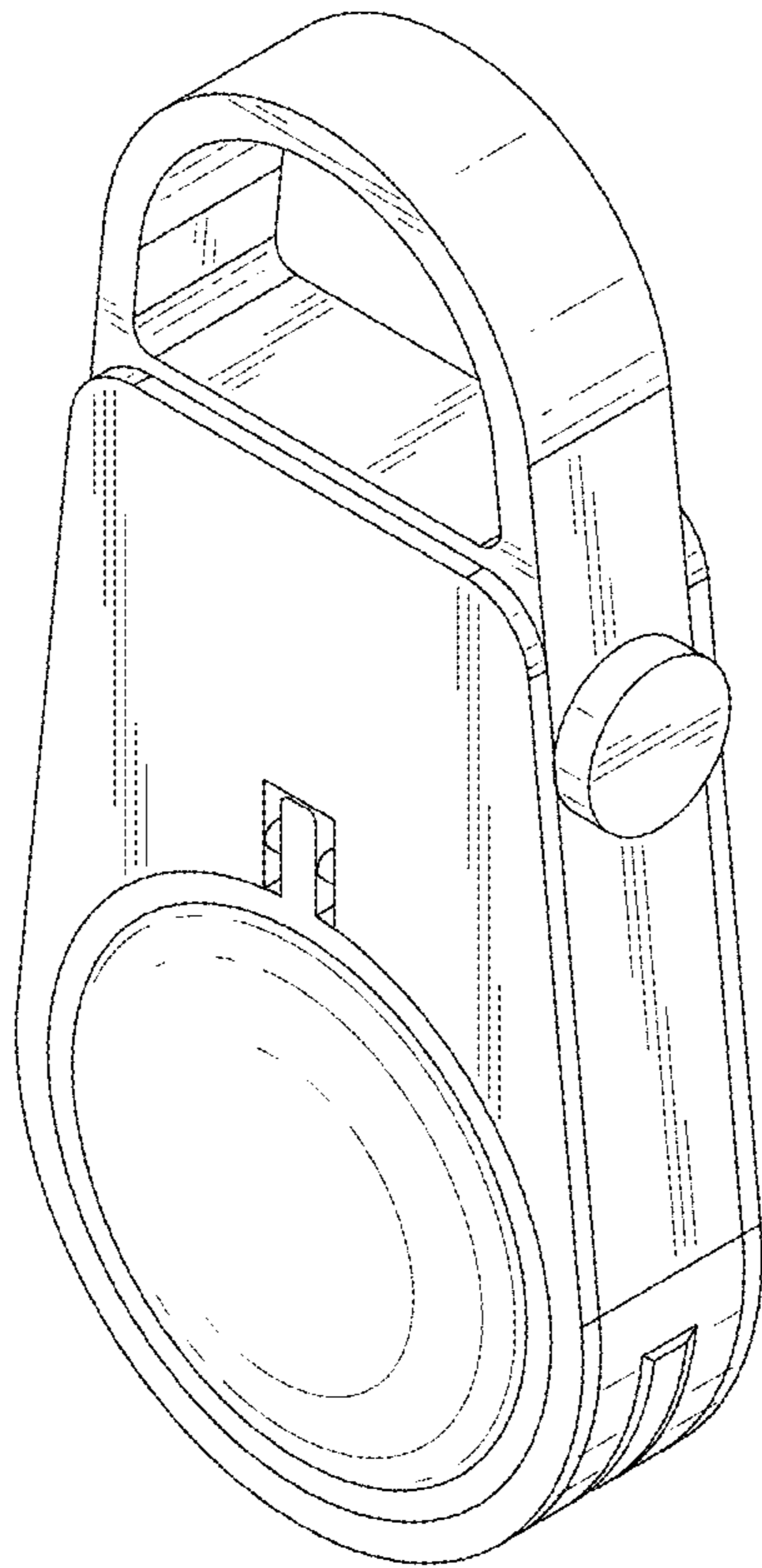


FIG. 1

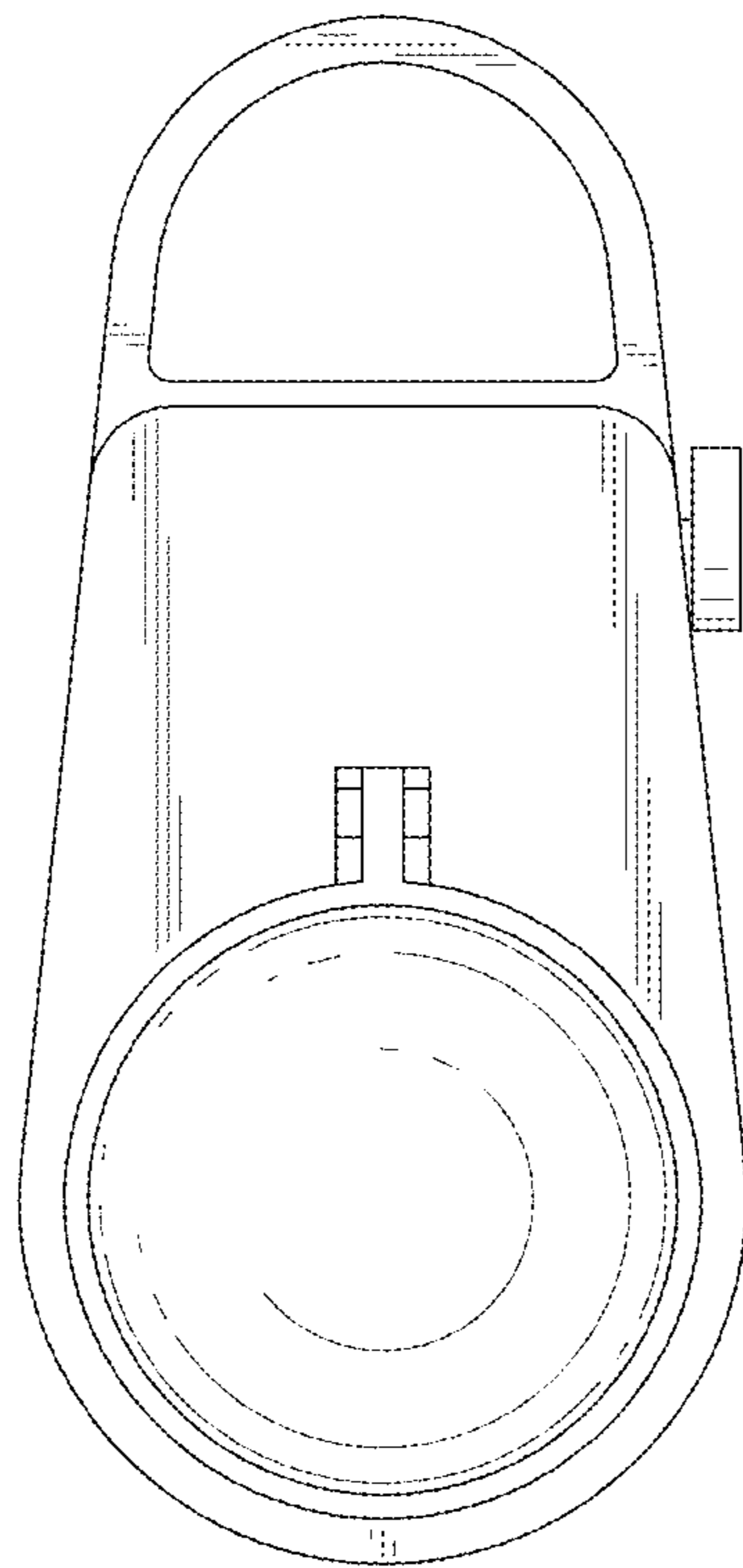


FIG. 2

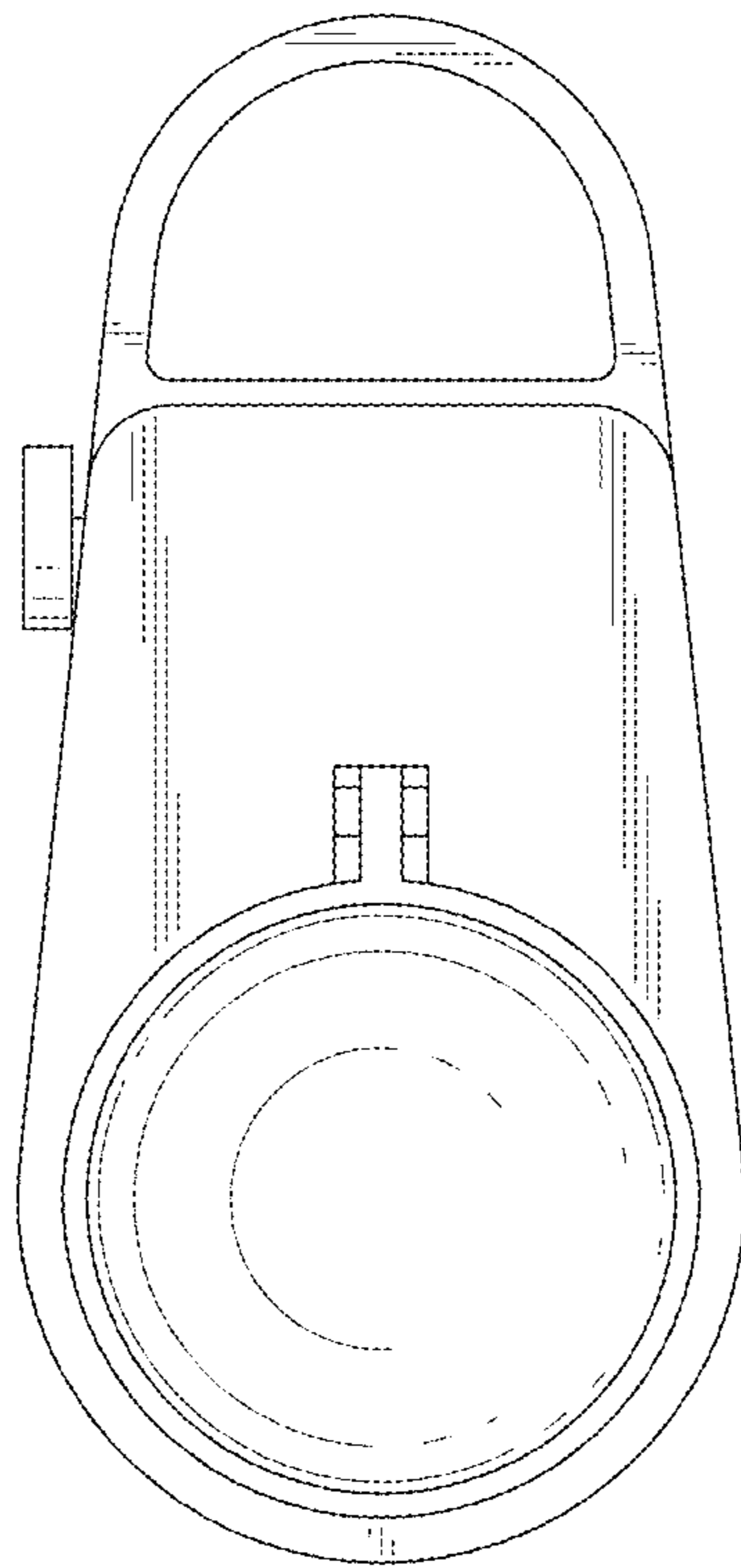


FIG. 3

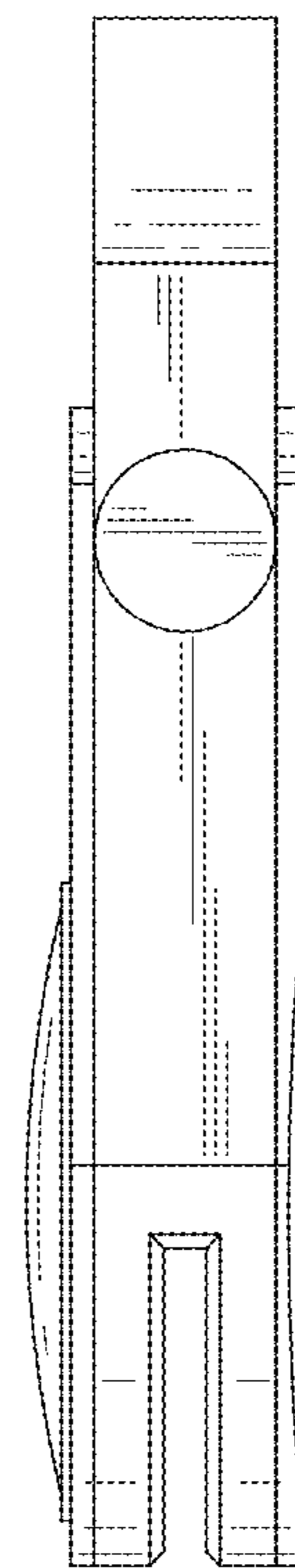


FIG. 4

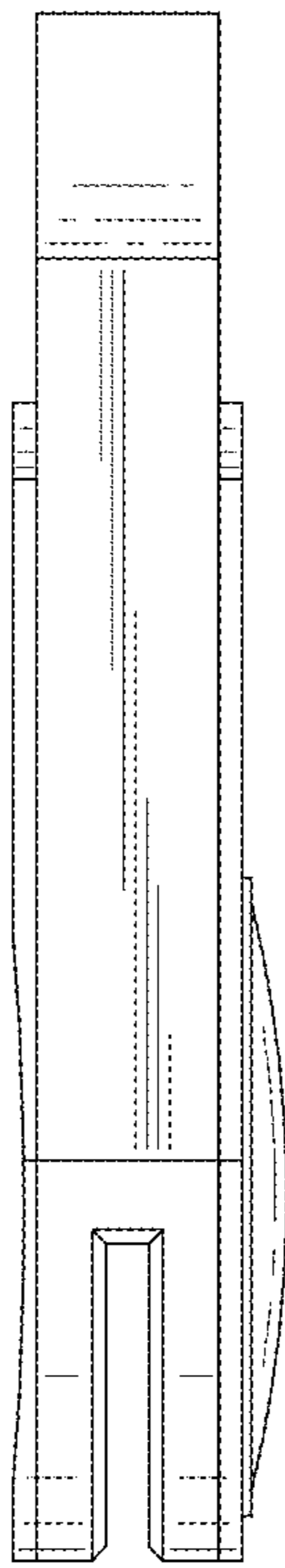


FIG. 5

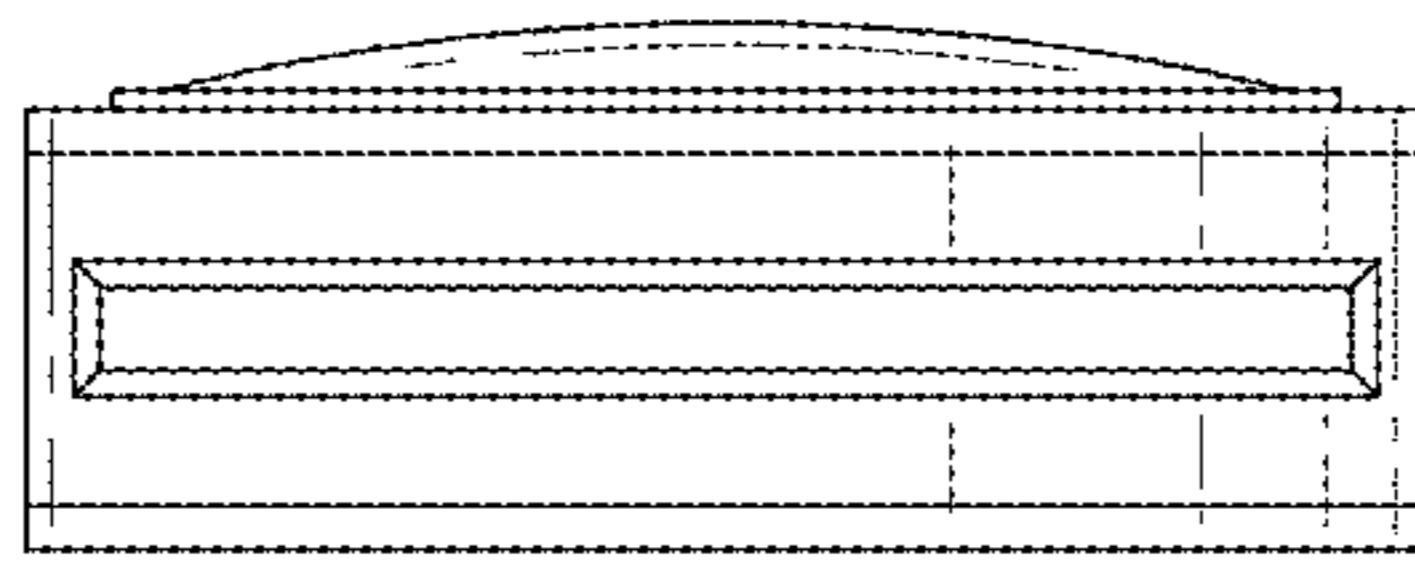


FIG. 6