



US00D774151S

(12) **United States Design Patent**
Serrano et al.

(10) **Patent No.:** **US D774,151 S**

(45) **Date of Patent:** **** Dec. 13, 2016**

(54) **GOLF CLUB HEAD WITH ALIGNMENT AID**

(71) Applicant: **Karsten Manufacturing Corporation**,
Phoenix, AZ (US)

(72) Inventors: **Tony Serrano**, Phoenix, AZ (US);
David Higdon, Phoenix, AZ (US);
Martin Jertson, Phoenix, AZ (US);
Cory Bacon, Phoenix, AZ (US)

(73) Assignee: **Karsten Manufacturing Corporation**,
Phoenix, AZ (US)

(**) Term: **15 Years**

(21) Appl. No.: **29/535,055**

(22) Filed: **Aug. 3, 2015**

(51) **LOC (10) Cl.** **21-02**

(52) **U.S. Cl.**
USPC **D21/743**

(58) **Field of Classification Search**
USPC D21/736-746
CPC ... A63B 53/065; A63B 53/0487; A63B 53/00;
A63B 53/04; A63B 53/007
See application file for complete search history.

(56) **References Cited**

U.S. PATENT DOCUMENTS

D316,129 S	4/1991	Bryson
5,275,412 A	1/1994	Innes
6,159,108 A	12/2000	De La Pena
6,379,259 B1	4/2002	Opie
D488,526 S	4/2004	Souza
D500,109 S	12/2004	Solheim
D500,110 S	12/2004	Solheim
6,837,801 B1	1/2005	Souza
6,878,071 B1	4/2005	Schwieger
6,893,355 B2	5/2005	Souza
6,902,496 B2	6/2005	Solheim
D507,612 S	7/2005	Souza

6,926,615 B1	8/2005	Souza
6,960,140 B2	11/2005	Solheim
6,966,845 B2	11/2005	Solheim
D520,584 S	5/2006	Karlsen
D521,582 S	5/2006	Souza
7,052,411 B2	5/2006	Solheim
D522,598 S	6/2006	Solheim
7,077,758 B2	7/2006	Rohrer
7,086,957 B2	8/2006	Solheim
D527,777 S	9/2006	Solheim
D529,108 S	9/2006	Stites

(Continued)

Primary Examiner — Mitchell Siegel

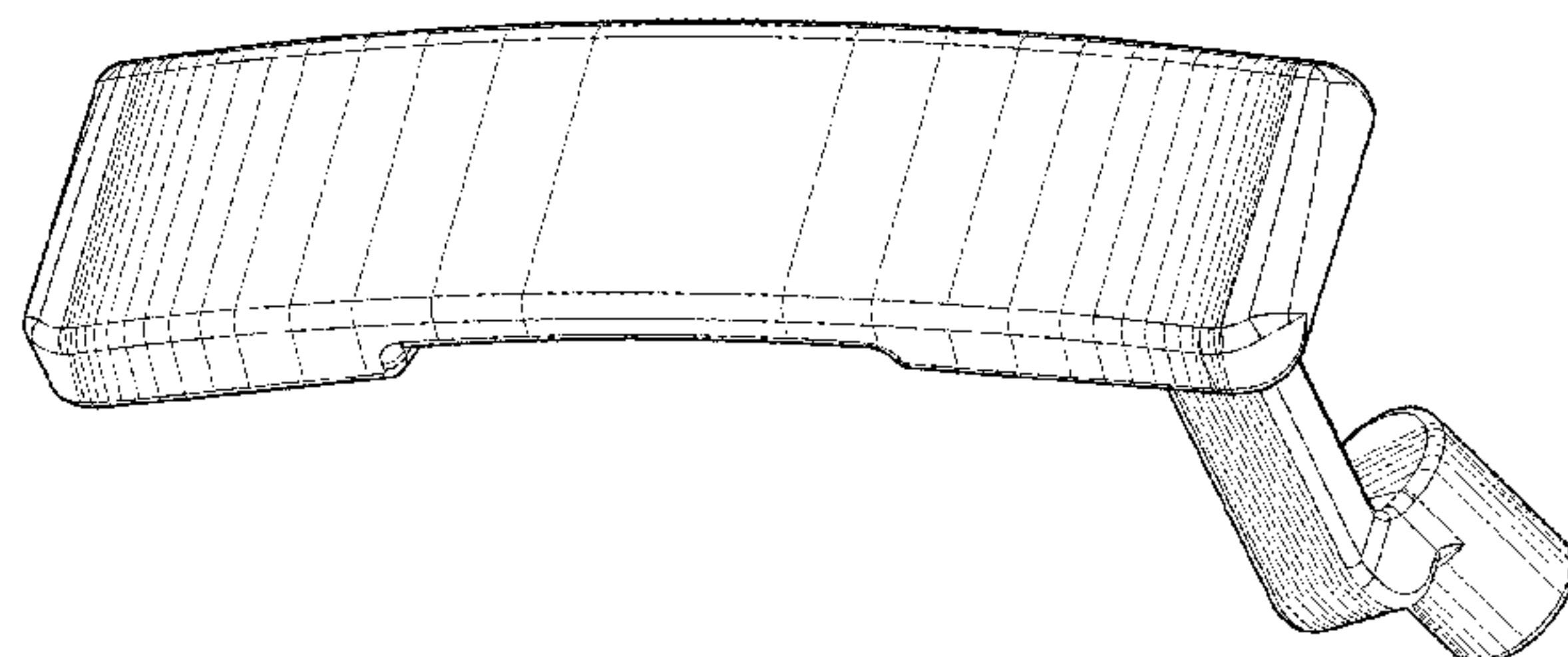
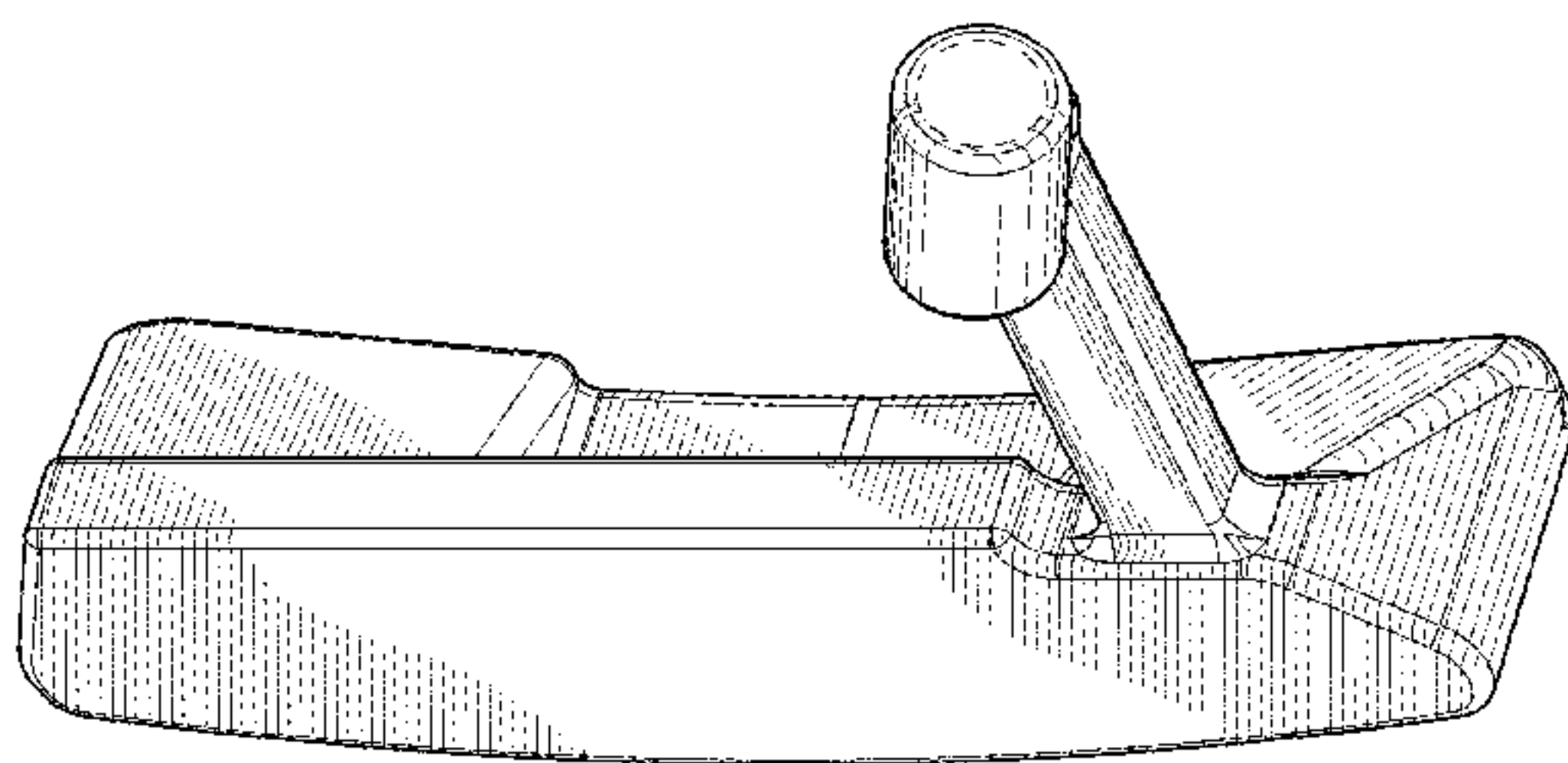
(57) **CLAIM**

The ornamental design for a golf club head with alignment aid, as shown and described.

DESCRIPTION

FIG. 1 is a top perspective view of a golf club head with alignment aid;
 FIG. 2 is a bottom perspective view of the golf club head with alignment aid of FIG. 1;
 FIG. 3 is a front view of the golf club head with alignment aid of FIG. 1;
 FIG. 4 is a rear view of the golf club head with alignment aid of FIG. 1;
 FIG. 5 is a top view of the golf club head with alignment aid of FIG. 1;
 FIG. 6 is a bottom view of the golf club head with alignment aid of FIG. 1;
 FIG. 7 is a left view of the golf club head with alignment aid of FIG. 1; and,
 FIG. 8 is a right view of the golf club head with alignment aid of FIG. 1.
 The broken lines shown in one or more of the figures are for illustrative purposes only and form no part of the claimed design.

1 Claim, 4 Drawing Sheets



(56)

References Cited

U.S. PATENT DOCUMENTS

D532,847 S	11/2006	Rollinson	7,815,515 B1	10/2010	Hunt	
D533,243 S	12/2006	Fife, Jr.	D638,891 S	5/2011	Nicolette	
D533,244 S	12/2006	Kroll	D640,341 S	6/2011	Foster et al.	
7,235,021 B2	6/2007	Solheim	D643,080 S	8/2011	Serrano	
D548,295 S	8/2007	Jertson	D643,485 S	8/2011	Nicolette	
7,255,650 B2	8/2007	Braynt	D643,486 S	8/2011	Serrano	
D552,197 S	10/2007	Wells	D643,487 S	8/2011	Serrano	
D564,607 S	3/2008	Oldknow et al.	D650,455 S *	12/2011	Serrano	D21/743
D565,137 S	3/2008	Oldknow	D652,465 S *	1/2012	Rollinson	D21/743
7,371,185 B1	5/2008	Rohrer	8,100,779 B2	1/2012	Solheim	
D581,473 S	11/2008	Thomas	D653,718 S	2/2012	Stokke	
D583,003 S	12/2008	Solheim	8,109,838 B2	2/2012	Solheim	
D587,325 S	2/2009	Solheim	8,128,505 B2	3/2012	Tryner et al.	
D588,658 S *	3/2009	De La Cruz	D664,617 S	7/2012	Serrano	
			D682,376 S *	5/2013	Oliveiro	D21/736
D600,760 S	9/2009	Serrano	D689,574 S *	9/2013	Rollinson	D21/743
D600,761 S	9/2009	Solheim	D723,641 S	3/2015	Serran et al.	
D600,762 S	9/2009	Serrano	D761,367 S *	7/2016	Bruce	D21/736
7,601,076 B2	10/2009	Rollinson	2005/0170904 A1	8/2005	Smeeth	
D607,950 S	1/2010	Souza	2006/0094533 A1	5/2006	Warren	
D621,458 S	8/2010	Serrano	2006/0166755 A1	7/2006	Brown	
D621,460 S	8/2010	Serrano	2007/0191135 A1	8/2007	Nilsson	
D621,461 S	8/2010	Serrano	2008/0096686 A1	4/2008	Bilkhu	
D621,462 S	8/2010	Serrano	2009/0270198 A1	10/2009	Solheim et al.	
D621,891 S	8/2010	Serrano	2009/0305806 A1	12/2009	Campadore et al.	
D623,709 S *	9/2010	Serrano	2009/0305807 A1	12/2009	Solheim et al.	
			2010/0227704 A1	9/2010	Souza	
7,803,066 B2	9/2010	Solheim	2012/0115628 A1	5/2012	Woods	

* cited by examiner

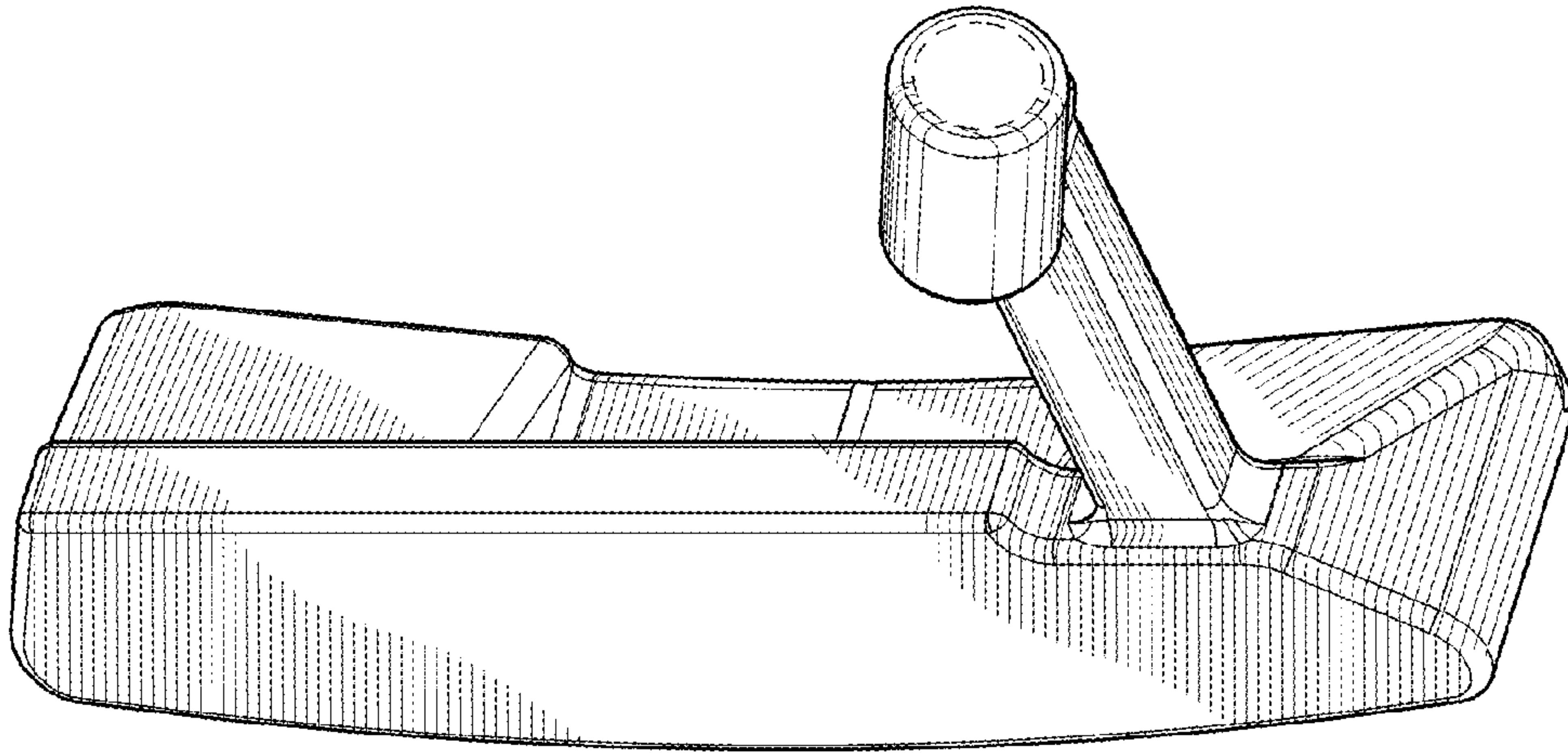


Fig. 1

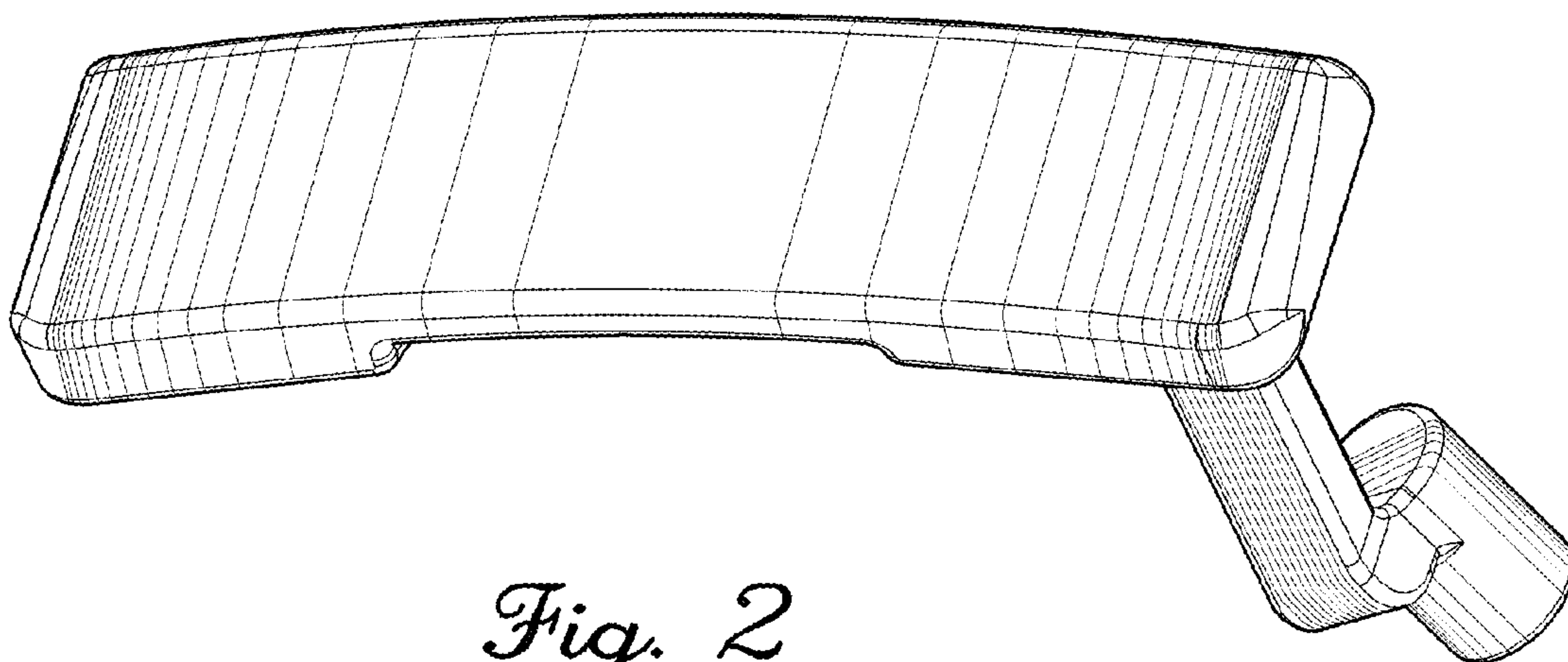


Fig. 2

Fig. 3

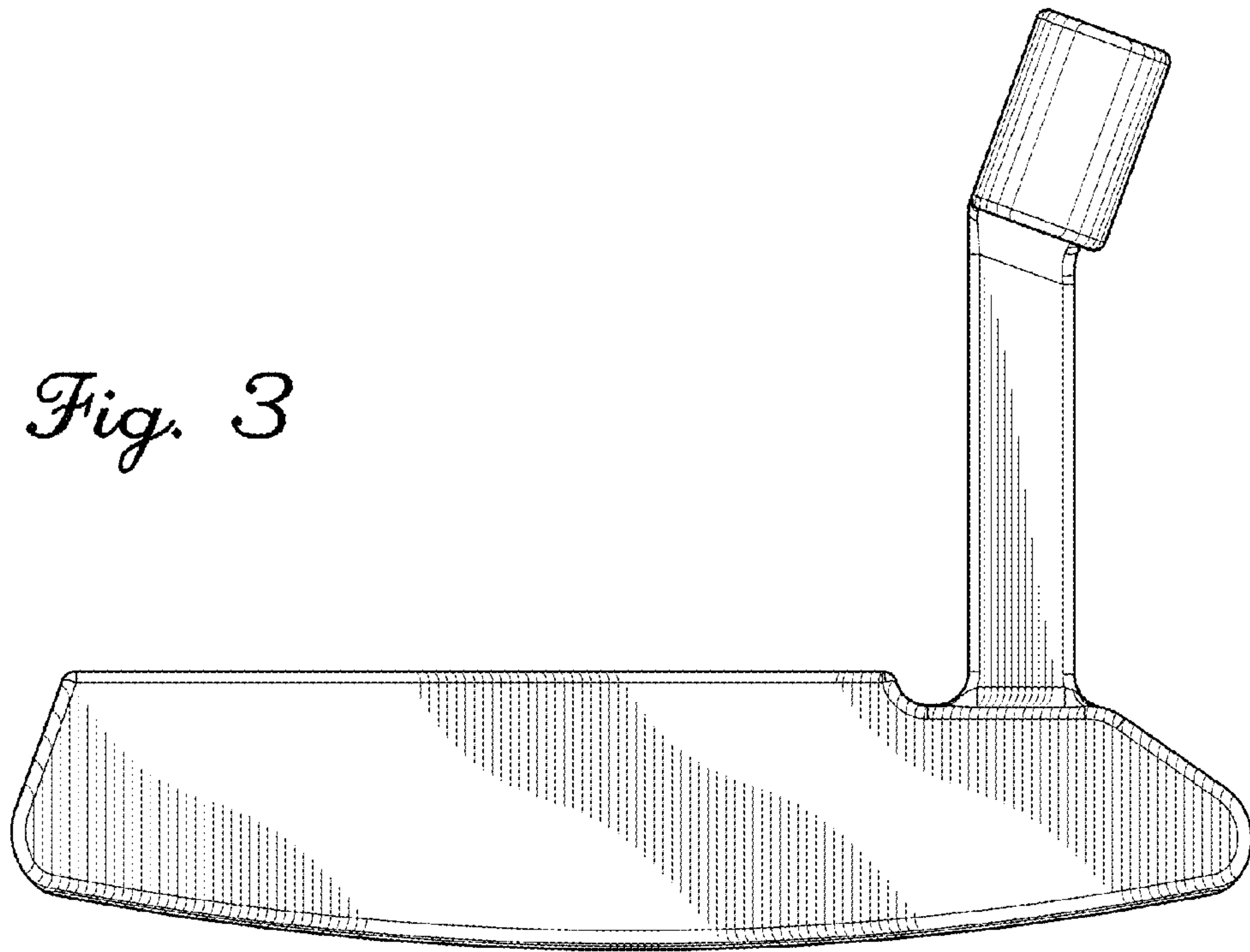
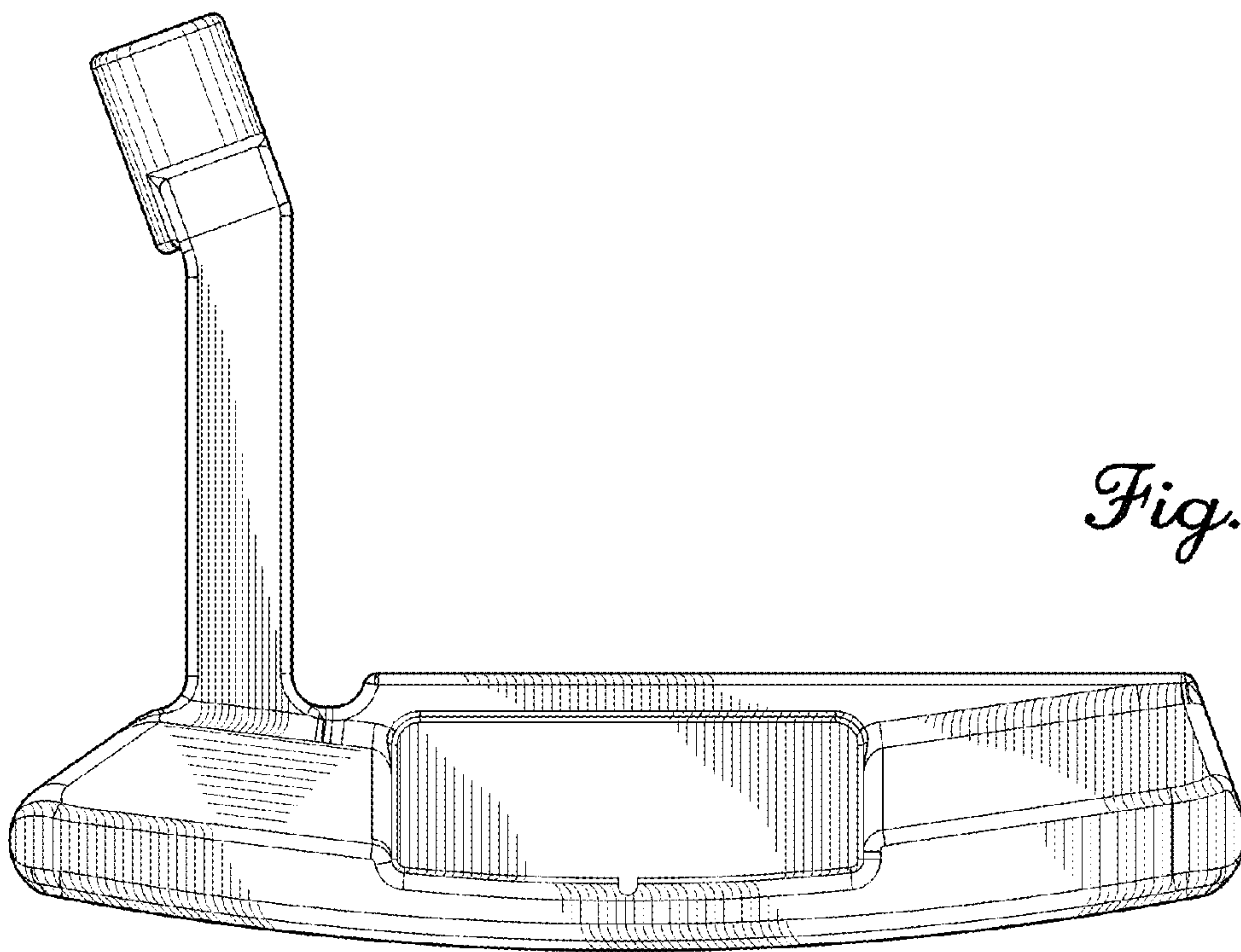


Fig. 4



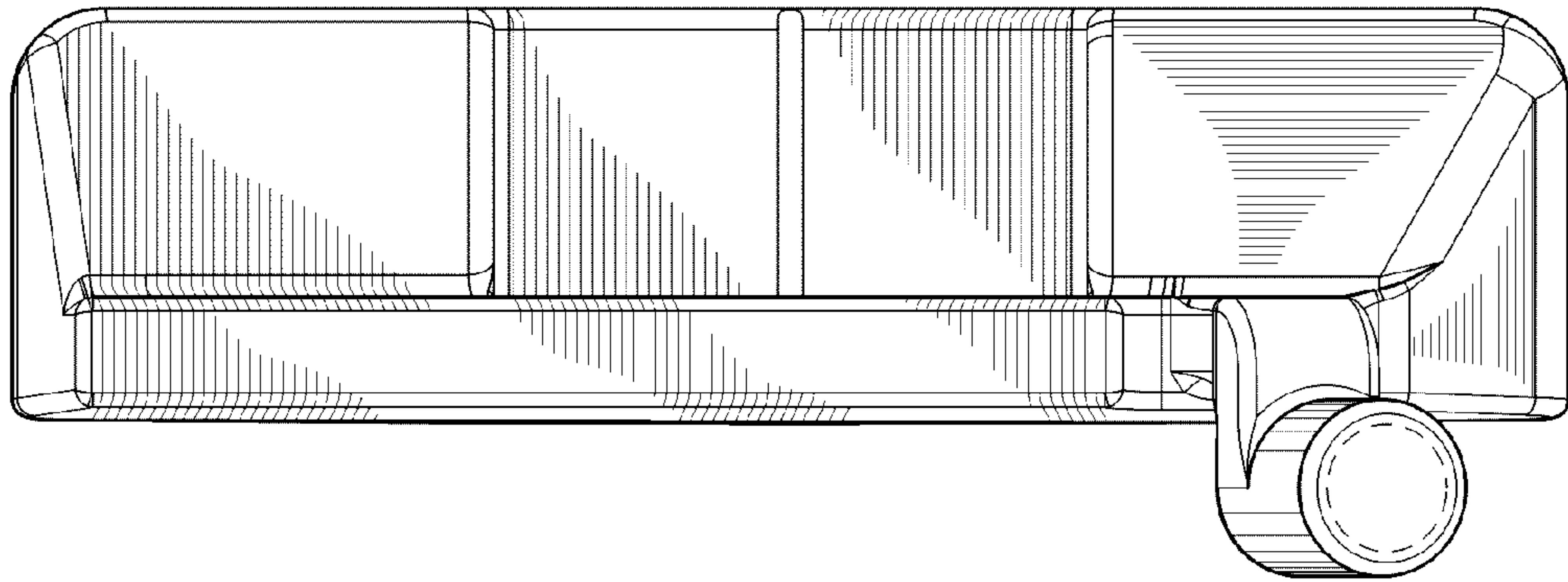


Fig. 5

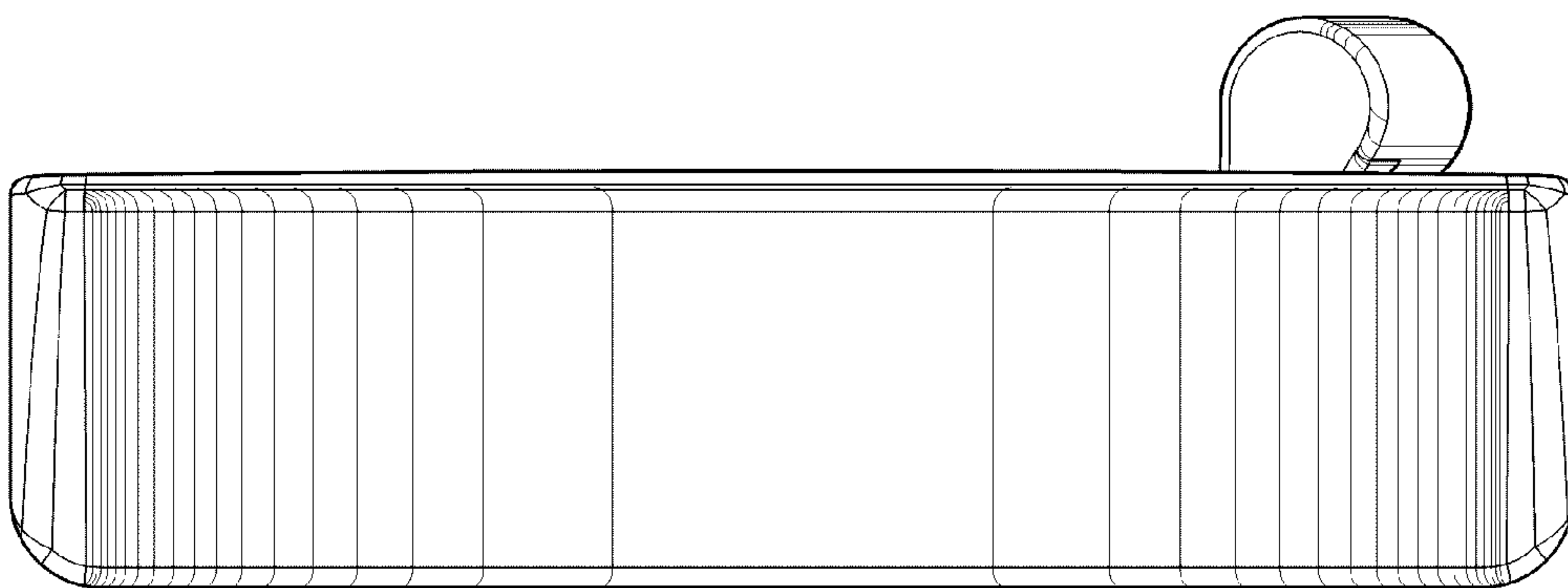


Fig. 6

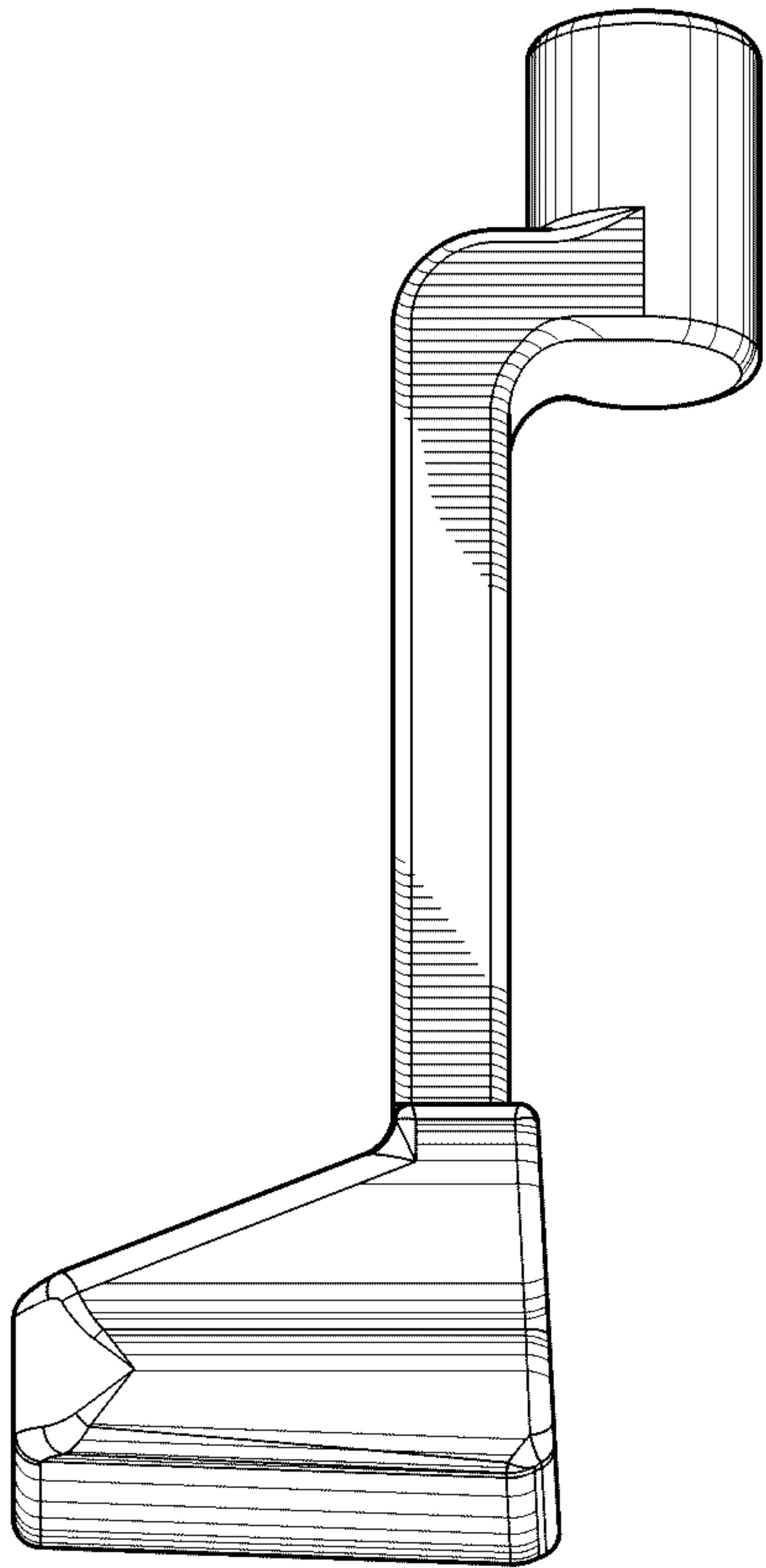


Fig. 7

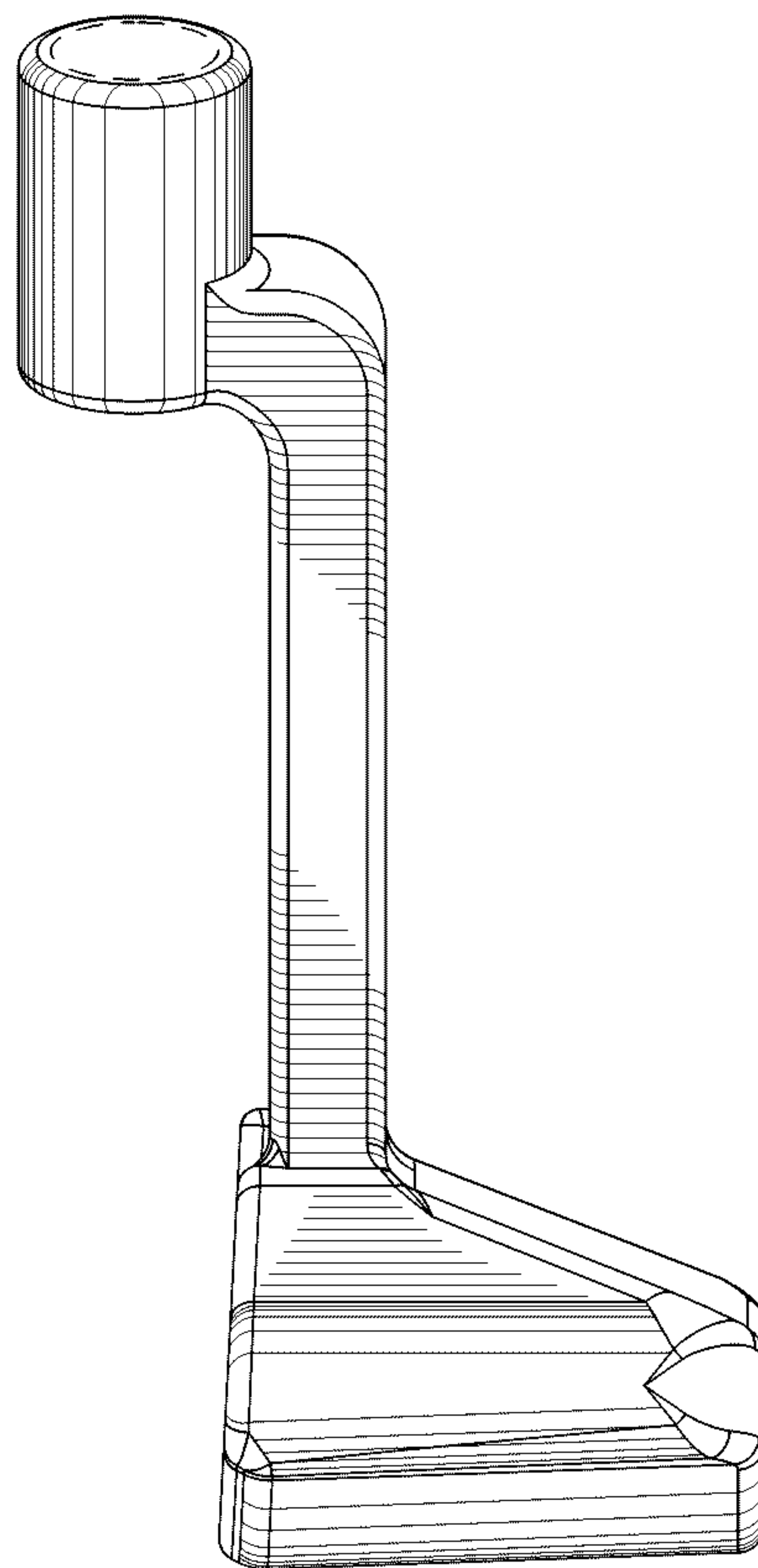


Fig. 8