



US00D774149S

(12) **United States Design Patent** (10) **Patent No.:** **US D774,149 S**
Estrada, Jr. et al. (45) **Date of Patent:** **** Dec. 13, 2016**

(54) **LOW-FRICTION EXERCISE DEVICE**

(71) Applicant: **Destined LLC**, El Segundo, CA (US)

(72) Inventors: **Marco Estrada, Jr.**, El Segundo, CA (US); **Marco Estrada, Sr.**, El Segundo, CA (US)

(73) Assignee: **Destined LLC**, El Segundo, CA (US)

(**) Term: **14 Years**

(21) Appl. No.: **29/524,594**

(22) Filed: **Apr. 21, 2015**

Related U.S. Application Data

(62) Division of application No. 29/458,752, filed on Jun. 21, 2013, now Pat. No. Des. 731,004.

(51) **LOC (10) Cl.** **21-02**

(52) **U.S. Cl.**
USPC **D21/685**

(58) **Field of Classification Search**

USPC D21/683, 685, 772, 662; D2/896, 909, D2/913, 916, 919, 923, 932, 943, 946, D2/970; D24/192; D29/121.2

CPC A63B 23/1236; A63B 22/18; A63B 22/20; A63B 2022/0038; A43C 13/14; A43B 7/32; A43B 3/30; A43B 3/20; A61F 5/019

See application file for complete search history.

(56) **References Cited**

U.S. PATENT DOCUMENTS

- 3,487,830 A * 1/1970 Pruet A61F 13/043 2/239
- 3,716,932 A * 2/1973 Pakulak A43B 7/32 36/7.5
- 4,277,897 A * 7/1981 O'Connell A43B 5/12 36/106
- D339,422 S * 9/1993 Williams D24/192

- 5,471,767 A * 12/1995 Walker A43B 7/02 126/204
- 5,632,707 A 5/1997 Daniel et al.
- D425,289 S * 5/2000 Sheppard, Jr. D2/909
- D435,715 S * 1/2001 Hunter D2/913
- D454,395 S * 3/2002 Stephens D24/192
- D489,518 S * 5/2004 Maxfield D2/919
- 6,908,415 B2 6/2005 Branson
- 6,942,605 B1 9/2005 Sukhovitsky
- 6,981,340 B2 * 1/2006 Evans A43B 5/145 36/131
- D520,217 S * 5/2006 Kim D2/896
- 7,270,627 B2 9/2007 Hankin
- 7,585,262 B1 9/2009 Vayntraub
- 7,621,858 B2 11/2009 Sheron
- D631,106 S 1/2011 Zemel

(Continued)

Primary Examiner — George D Kirschbaum

Assistant Examiner — Jennifer Watkins

(74) *Attorney, Agent, or Firm* — One3 IP Management, P.C.; Justin G. Sanders; Dean G. Stathakis

(57) **CLAIM**

The ornamental design for a low-friction exercise device, as shown and described.

DESCRIPTION

FIG. 1 is a perspective view showing our new low-friction exercise device design;

FIG. 2 is a top view thereof;

FIG. 3 is a bottom view thereof;

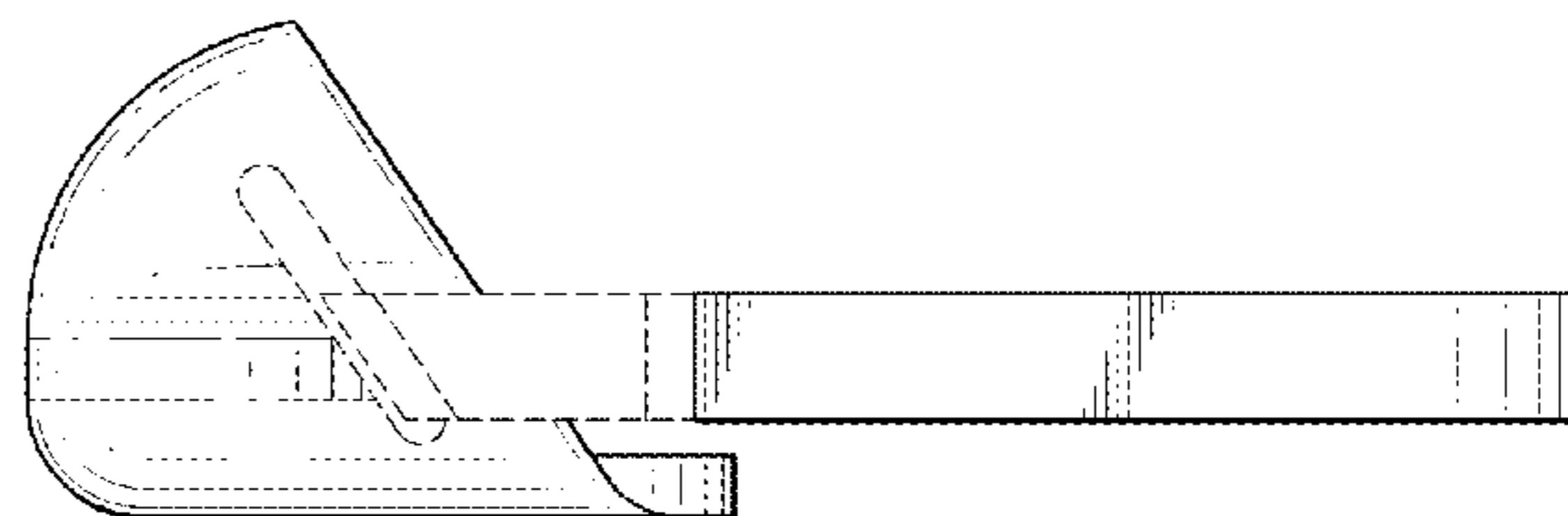
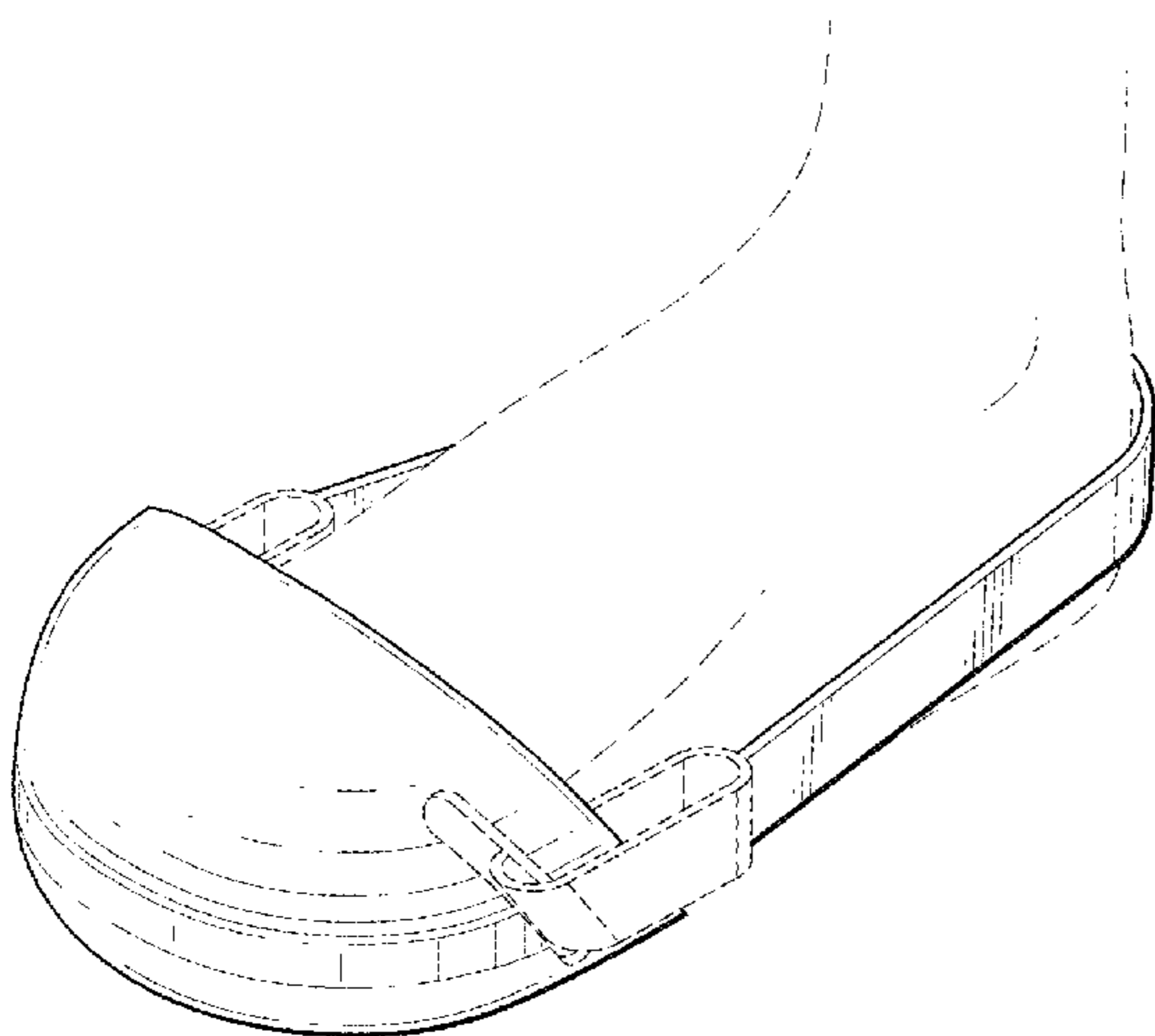
FIG. 4 is a left side view thereof, the right side being a mirror image of the left side;

FIG. 5 is a front view thereof; and,

FIG. 6 is a rear view thereof.

The broken lines in the drawings are for the purpose of illustrating portions of the article that form no part of the claim. The broken line showing of a human foot in FIG. 1 is for the purpose of illustrating environment that forms no part of the claim.

1 Claim, 3 Drawing Sheets



(56)

References Cited

U.S. PATENT DOCUMENTS

7,935,039	B2	5/2011	Dannenberg	
7,981,016	B1	7/2011	Howard	
8,105,218	B1	1/2012	Vayntraub	
D654,544	S	2/2012	Sliemers	
D669,667	S *	10/2012	Sakurai	D2/946
8,382,645	B2	2/2013	Mylrea et al.	
D683,114	S *	5/2013	Vardell	D2/909
D697,290	S *	1/2014	Langel	D2/906
D723,250	S *	3/2015	Taylor	D2/913
D731,004	S *	6/2015	Estrada, Jr.	D21/662
D740,896	S *	10/2015	Halper, Jr.	D21/685
2007/0011915	A1 *	1/2007	Allen	A43B 1/0081 36/94
2011/0071008	A1	3/2011	Coates	
2011/0230312	A1	9/2011	Gamboa	
2012/0083396	A1	4/2012	Aquino	

* cited by examiner

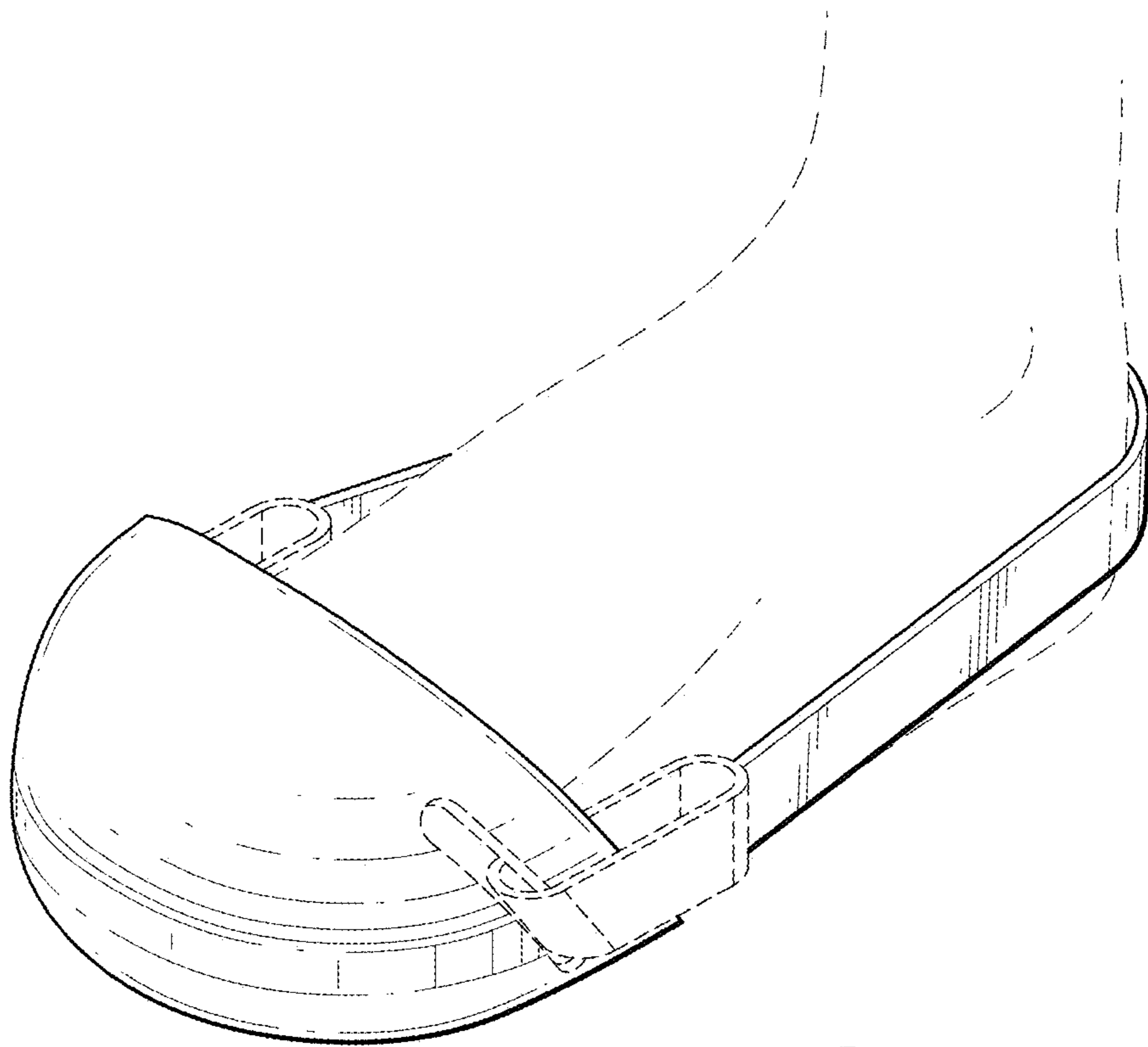


FIG. 1

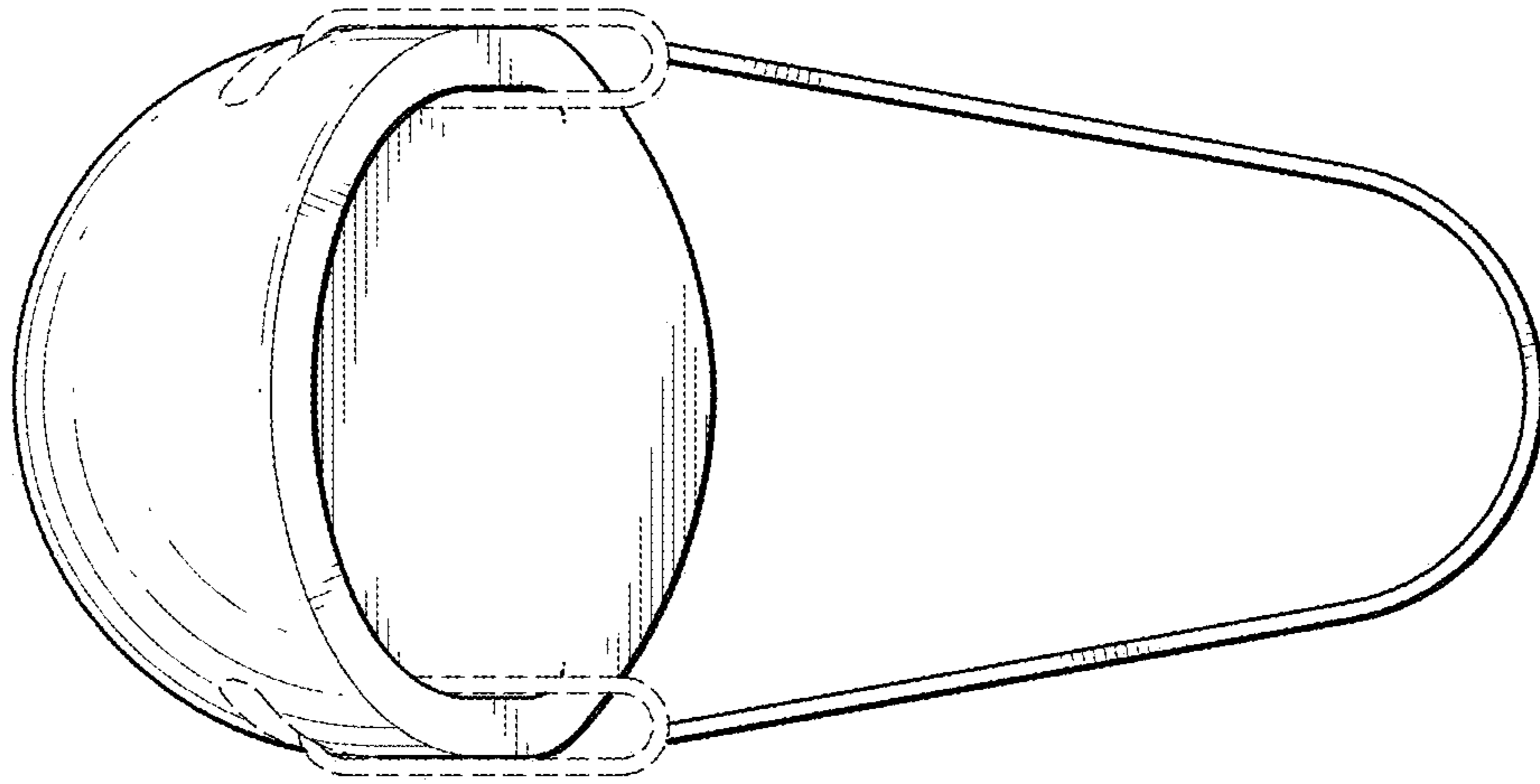


FIG. 2

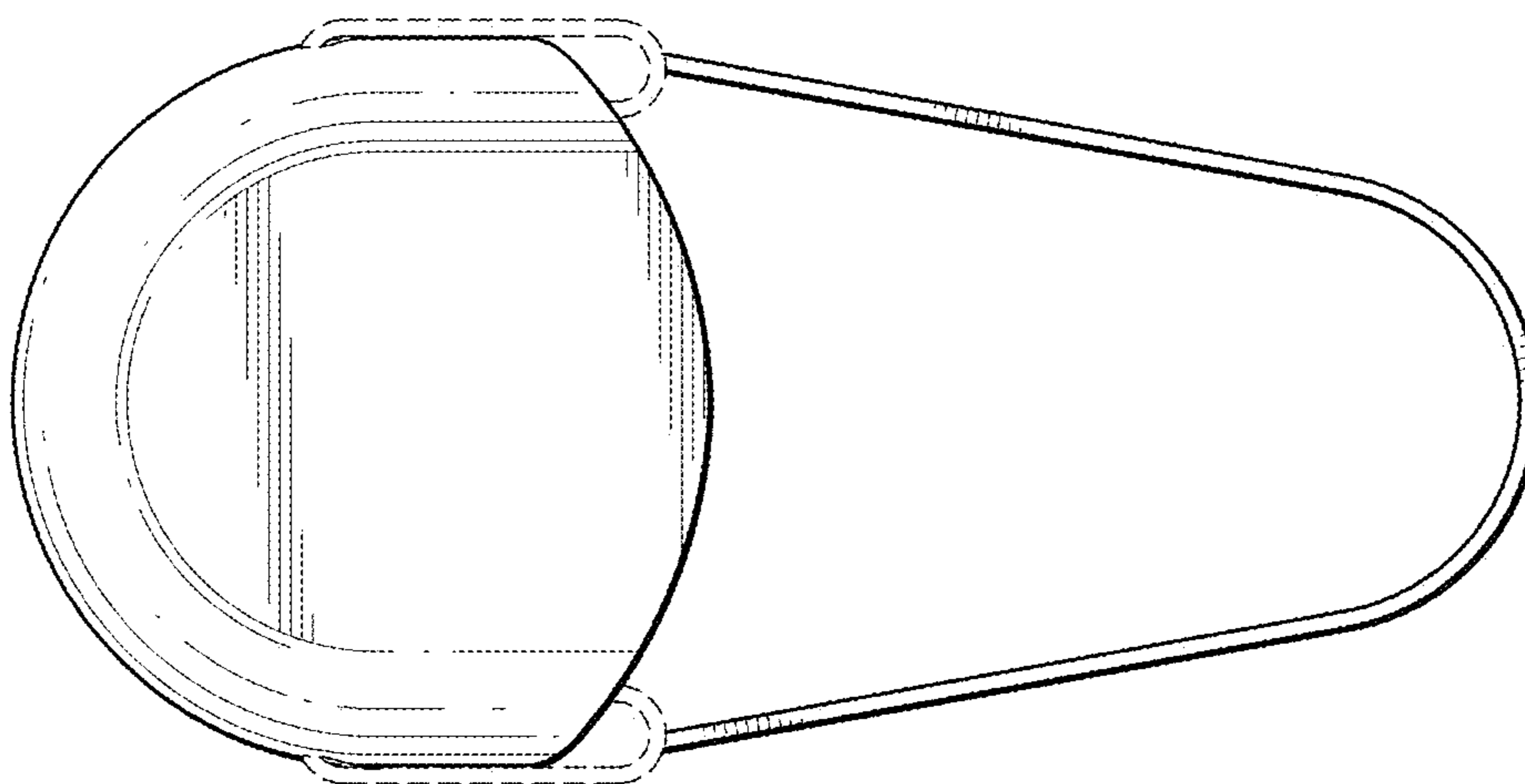


FIG. 3

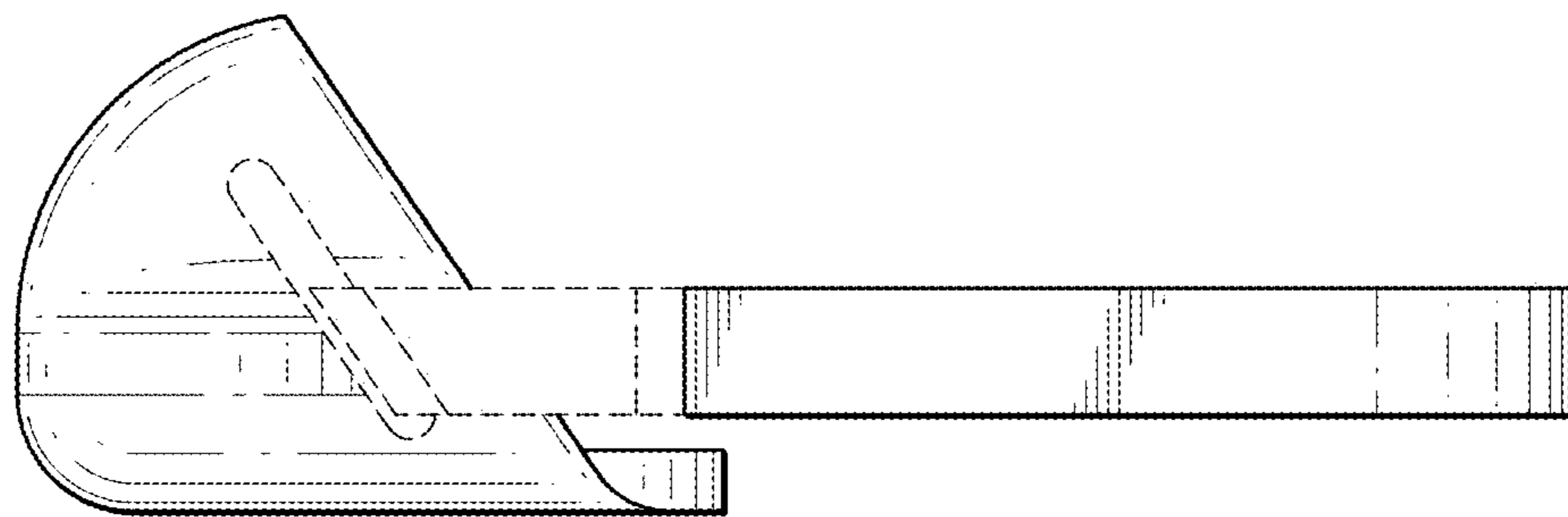


FIG. 4

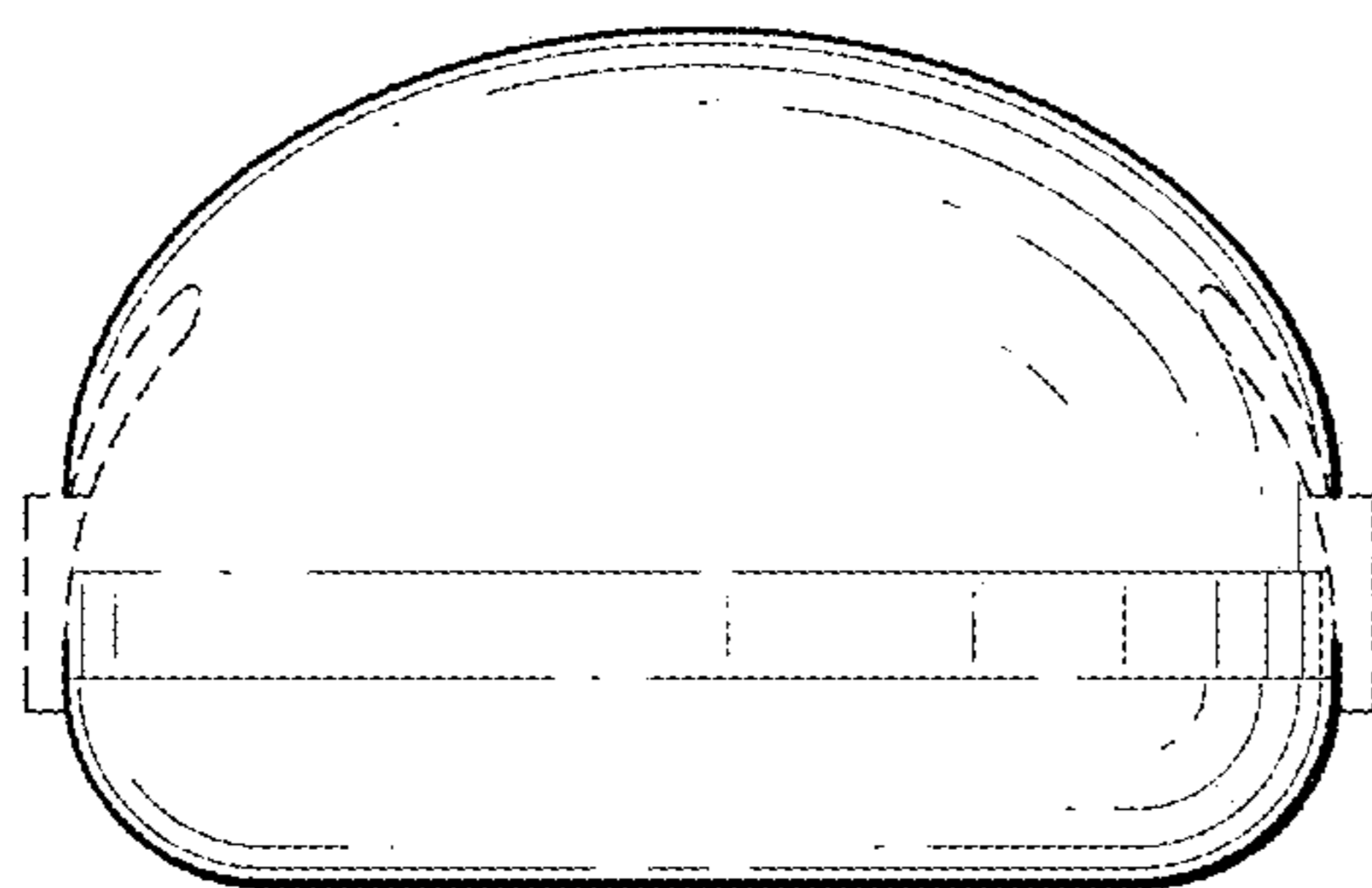


FIG. 5

FIG. 6

