



US00D774146S

(12) **United States Design Patent**
Stoyanov

(10) **Patent No.:** **US D774,146 S**
(45) **Date of Patent:** **** Dec. 13, 2016**

(54) **PUZZLE**

(71) Applicant: **Krasen Nikolaev Stoyanov**, Akron, OH (US)

(72) Inventor: **Krasen Nikolaev Stoyanov**, Akron, OH (US)

(**) Term: **15 Years**

(21) Appl. No.: **29/541,544**

(22) Filed: **Oct. 5, 2015**

(51) **LOC (10) Cl.** **21-01**

(52) **U.S. Cl.**
USPC **D21/478**

(58) **Field of Classification Search**

USPC D21/300, 334, 340, 366, 367, 385, 395,
D21/398, 468, 475, 476, 478, 479, 485,
D21/492, 501-503; 273/153 S, 155, 160,
273/459, DIG. 14

CPC A63F 9/001; A63F 9/0073; A63F 9/0078;
A63F 9/06; A63F 9/0602; A63F 9/0604;
A63F 9/0613; A63F 9/08; A63F 9/0803;
A63F 9/0811; A63F 9/0819; A63F
9/0823; A63F 9/0826; A63F
9/0846; A63F 9/0865; A63F 2009/002;
A63F 2009/0021; A63F 2009/0027; A63F
2009/003; A63F 2009/0047; A63F
2009/0049; A63F 2009/0673; A63F
2009/0679; A63F 3/00261

See application file for complete search history.

(56) **References Cited**

U.S. PATENT DOCUMENTS

609,995 A * 8/1898 Murphy A63F 9/0078
273/153 R
636,109 A * 10/1899 Bowers A63F 9/0823
273/153 S

911,461 A * 2/1909 Trout A63F 9/0078
273/153 R
3,417,996 A * 12/1968 Janiszewski A63F 9/0819
273/157 R
3,897,063 A * 7/1975 Lehwalder A63F 3/00895
108/103
4,468,033 A * 8/1984 Minami A63F 9/0823
273/117
4,589,663 A * 5/1986 Doroslovac A63F 9/0819
273/155
4,735,417 A * 4/1988 Gould A63F 9/0819
273/153 S
4,790,532 A * 12/1988 Chen A63F 9/305
273/140
D299,499 S * 1/1989 Gould D21/478
4,861,026 A * 8/1989 Chuan-Tien A63F 9/305
273/140
5,100,142 A * 3/1992 Cannata A63F 9/0819
273/153 S
5,135,225 A * 8/1992 Pszotka A63F 9/0823
273/153 S

(Continued)

FOREIGN PATENT DOCUMENTS

CN 302607010 * 10/2013

Primary Examiner — Catherine Tuttle

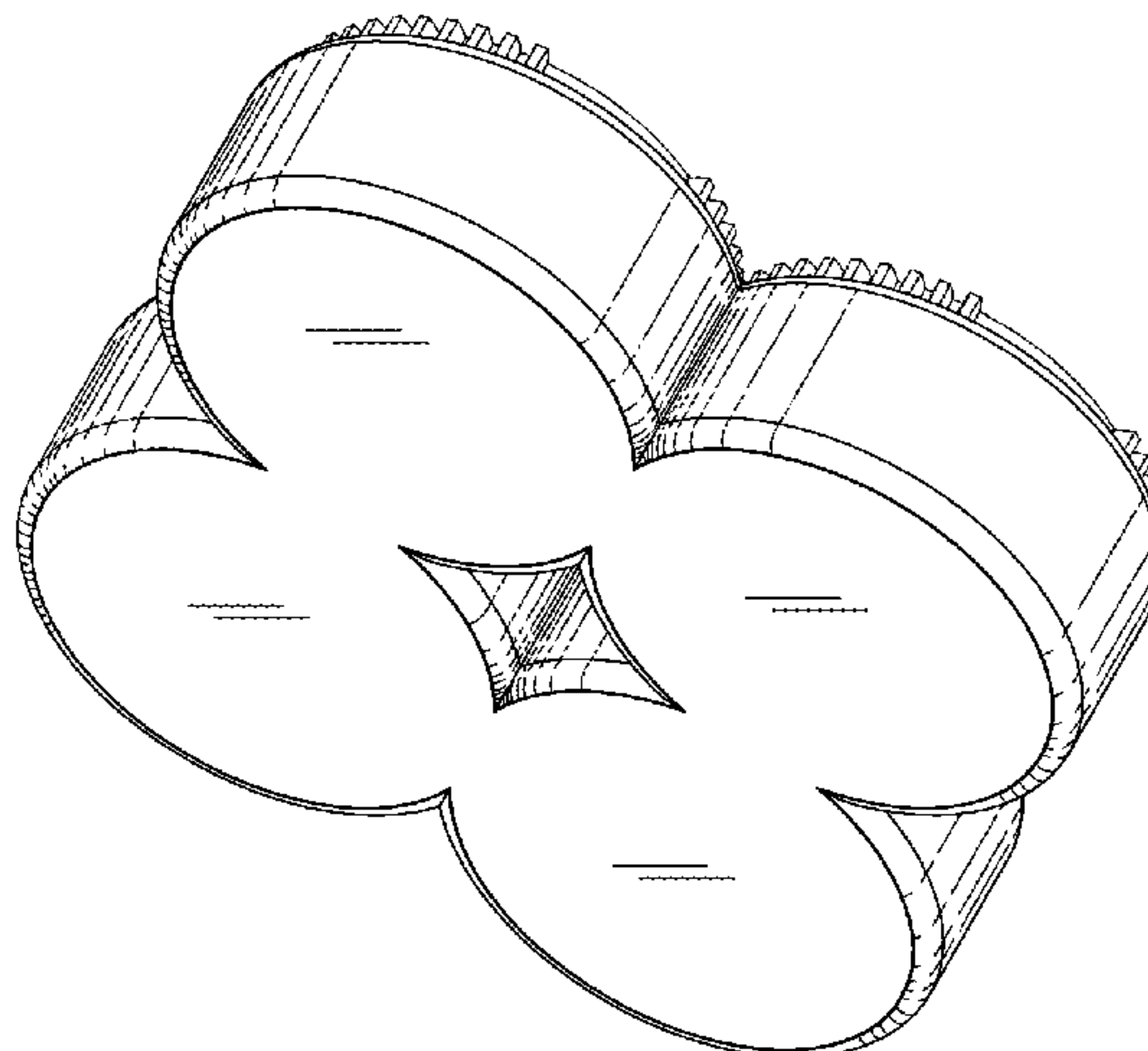
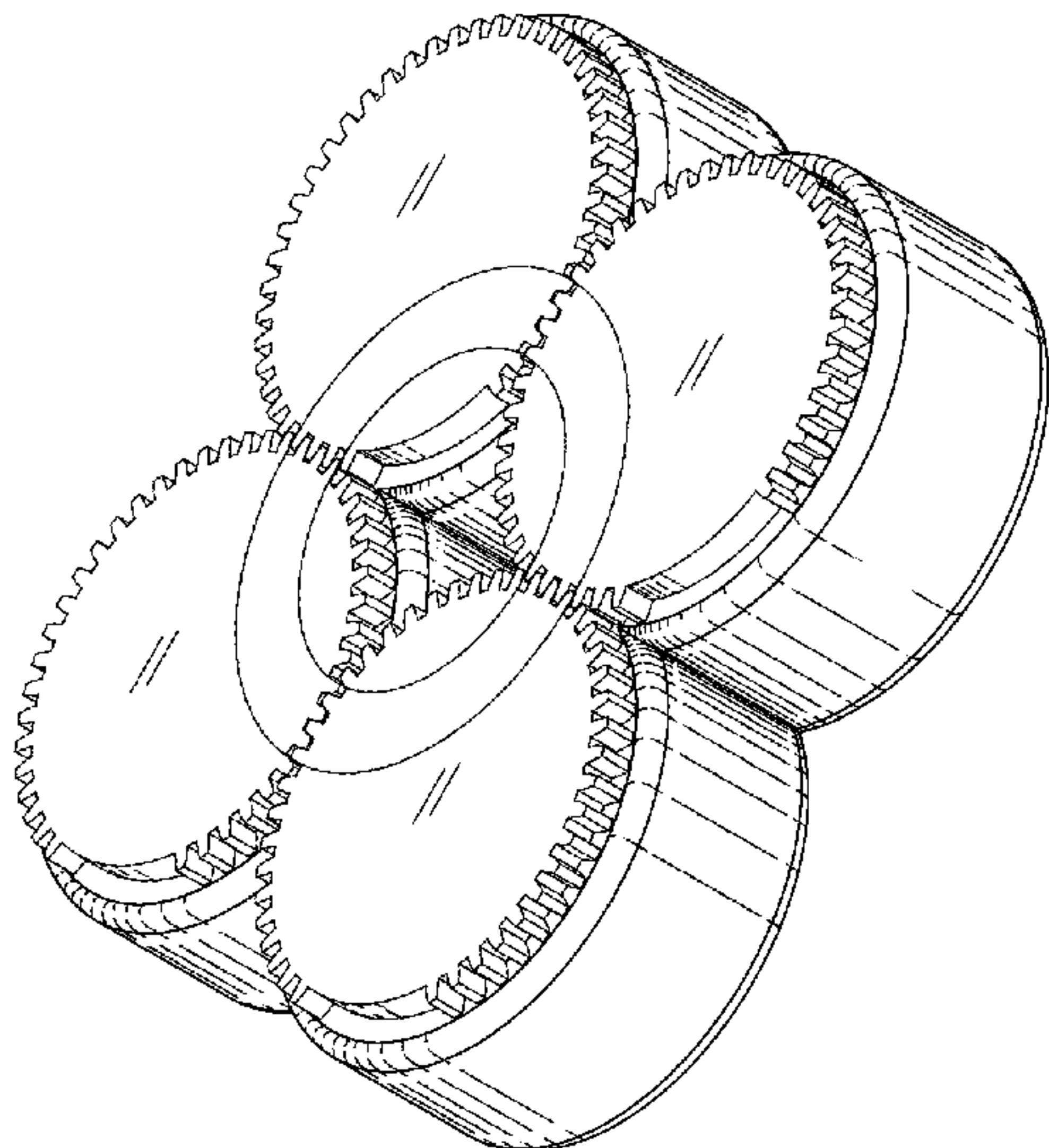
(57) **CLAIM**

The ornamental design for a puzzle, as shown and described.

DESCRIPTION

FIG. 1 is a top perspective view of a puzzle showing of my new design;
FIG. 2 is a bottom perspective view of a puzzle;
FIG. 3 is a front elevational view thereof;
FIG. 4 is a rear elevational view thereof;
FIG. 5 is a left-side elevational view thereof;
FIG. 6 is a right-side elevational view thereof;
FIG. 7 is a top plan view thereof; and,
FIG. 8 is a bottom plan view thereof.

1 Claim, 8 Drawing Sheets



(56)

References Cited

U.S. PATENT DOCUMENTS

5,628,512 A * 5/1997 Chan A63F 9/0826
273/153 S
D491,234 S * 6/2004 Rom D21/478
D501,034 S * 1/2005 Rom D21/478
2001/0042959 A1 * 11/2001 Reese A63F 3/0423
273/243

* cited by examiner

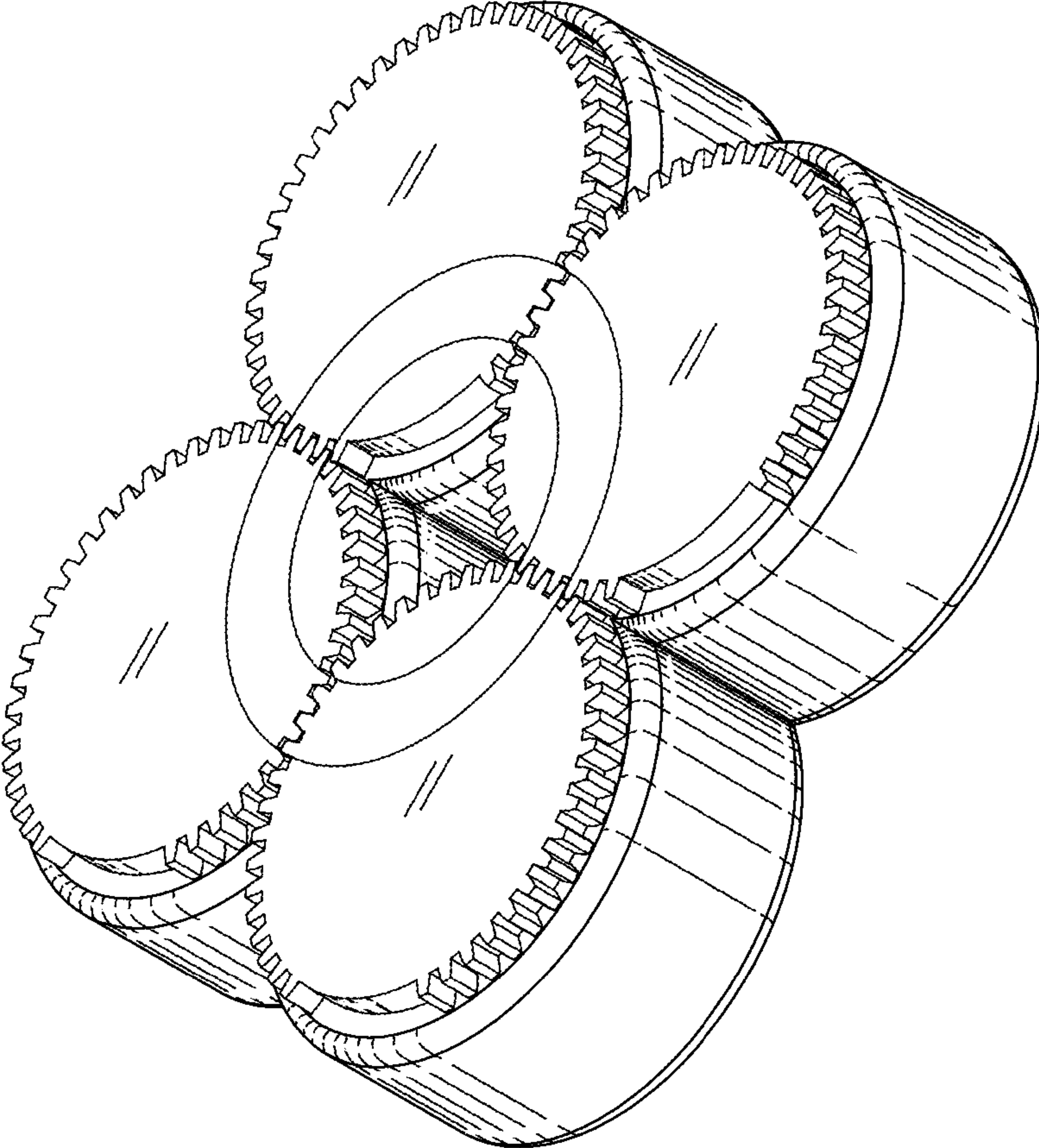


FIG. 1

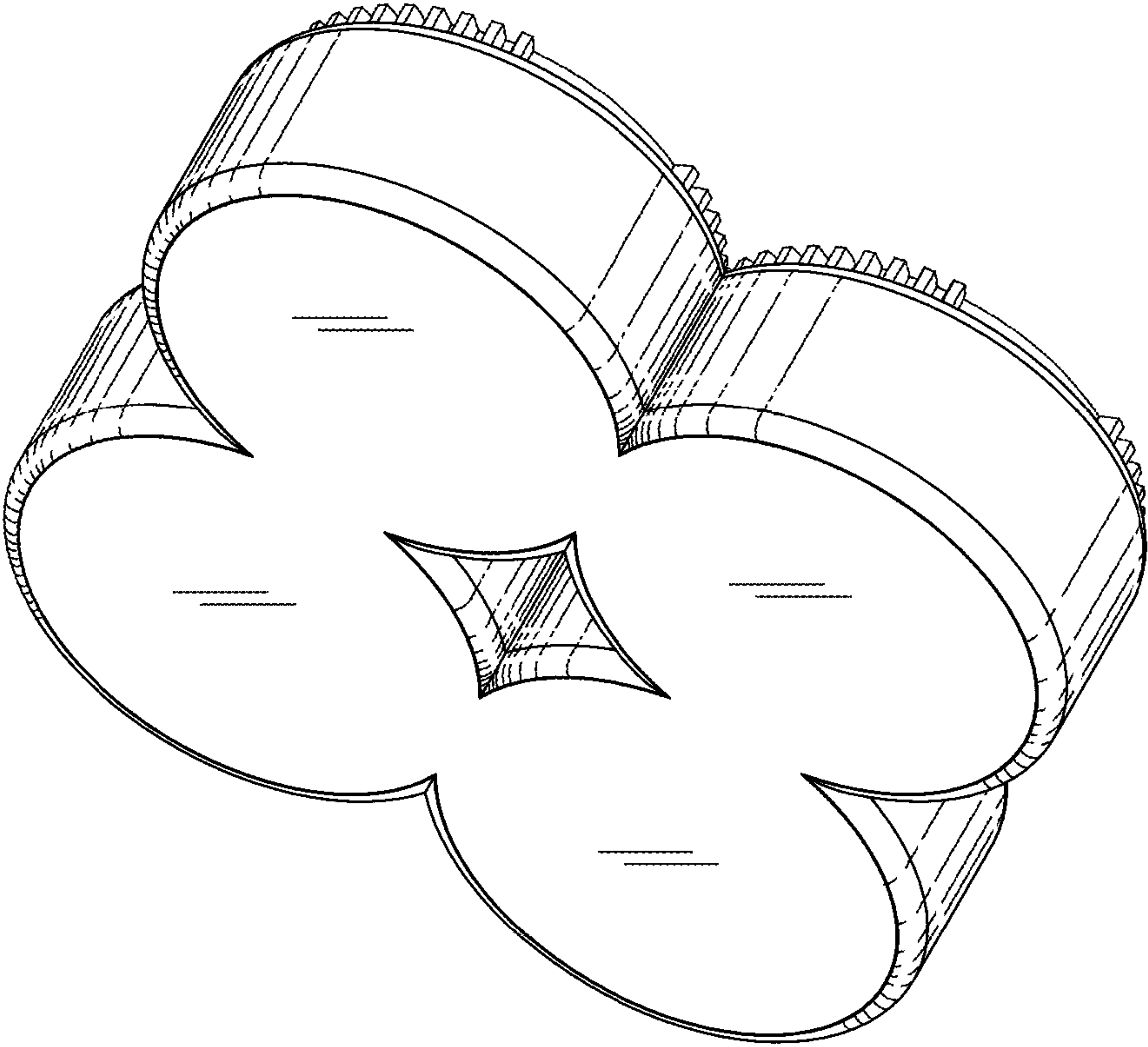


FIG. 2

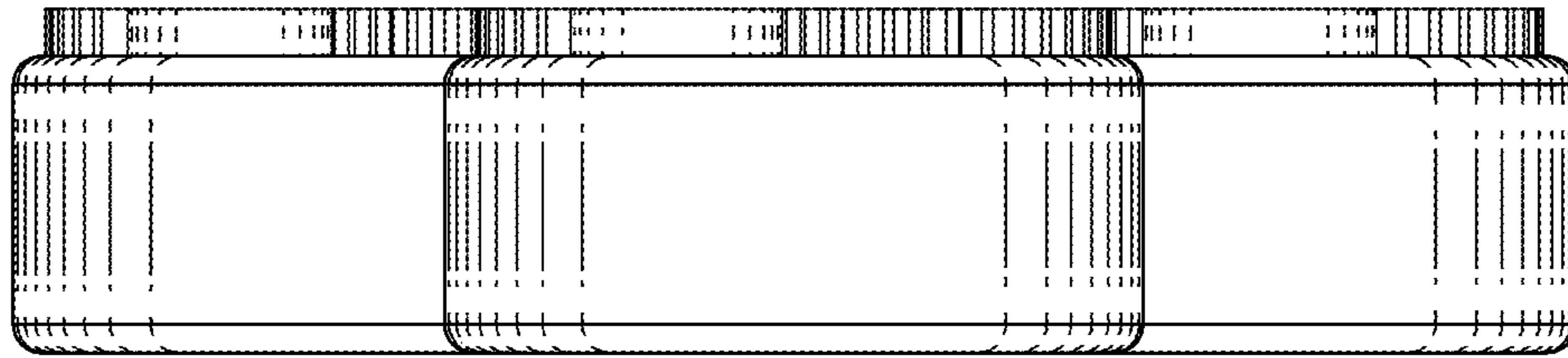


FIG. 3

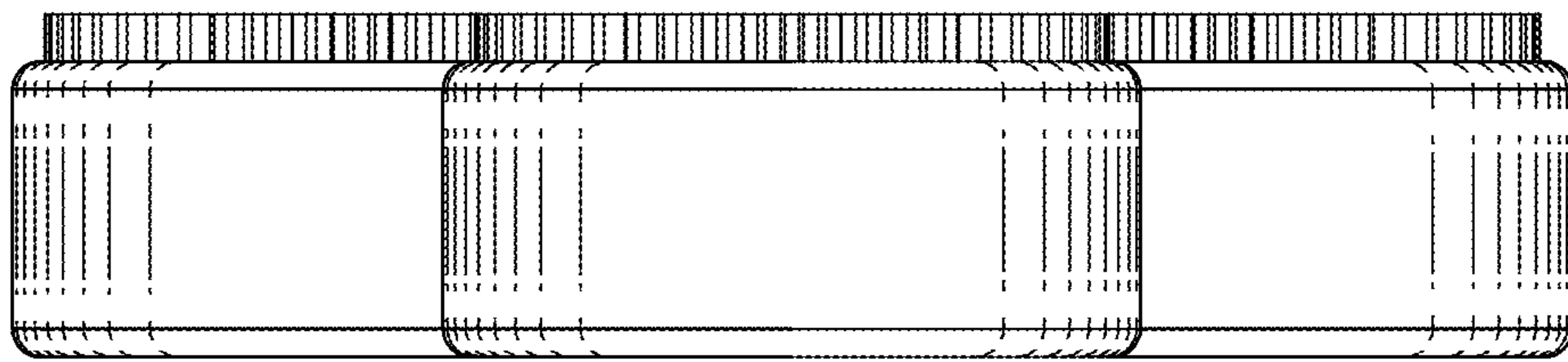


FIG. 4

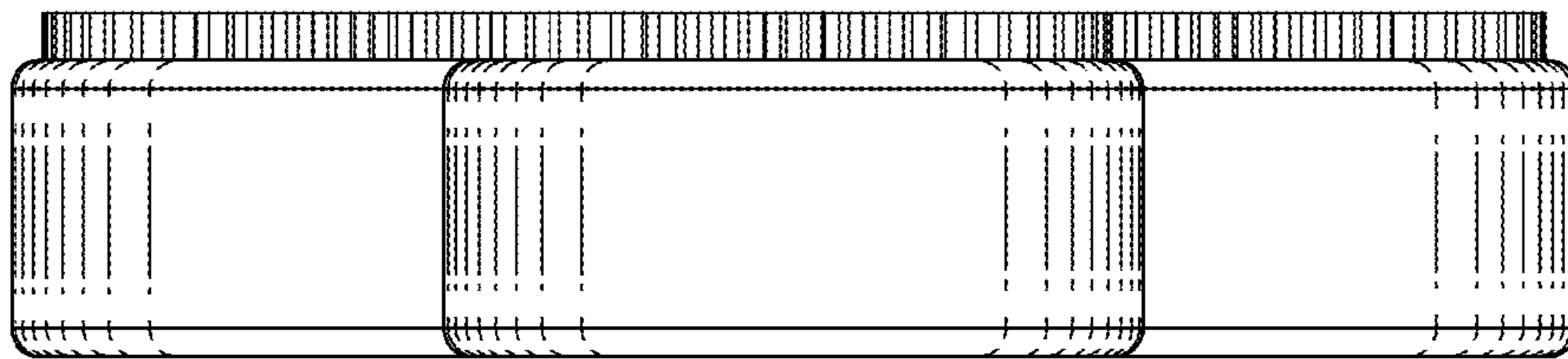


FIG. 5

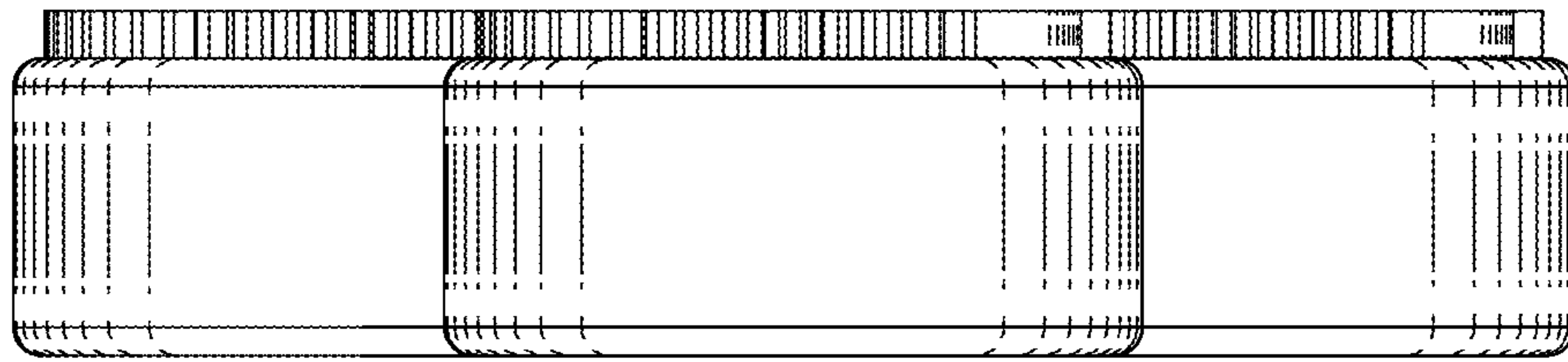


FIG. 6

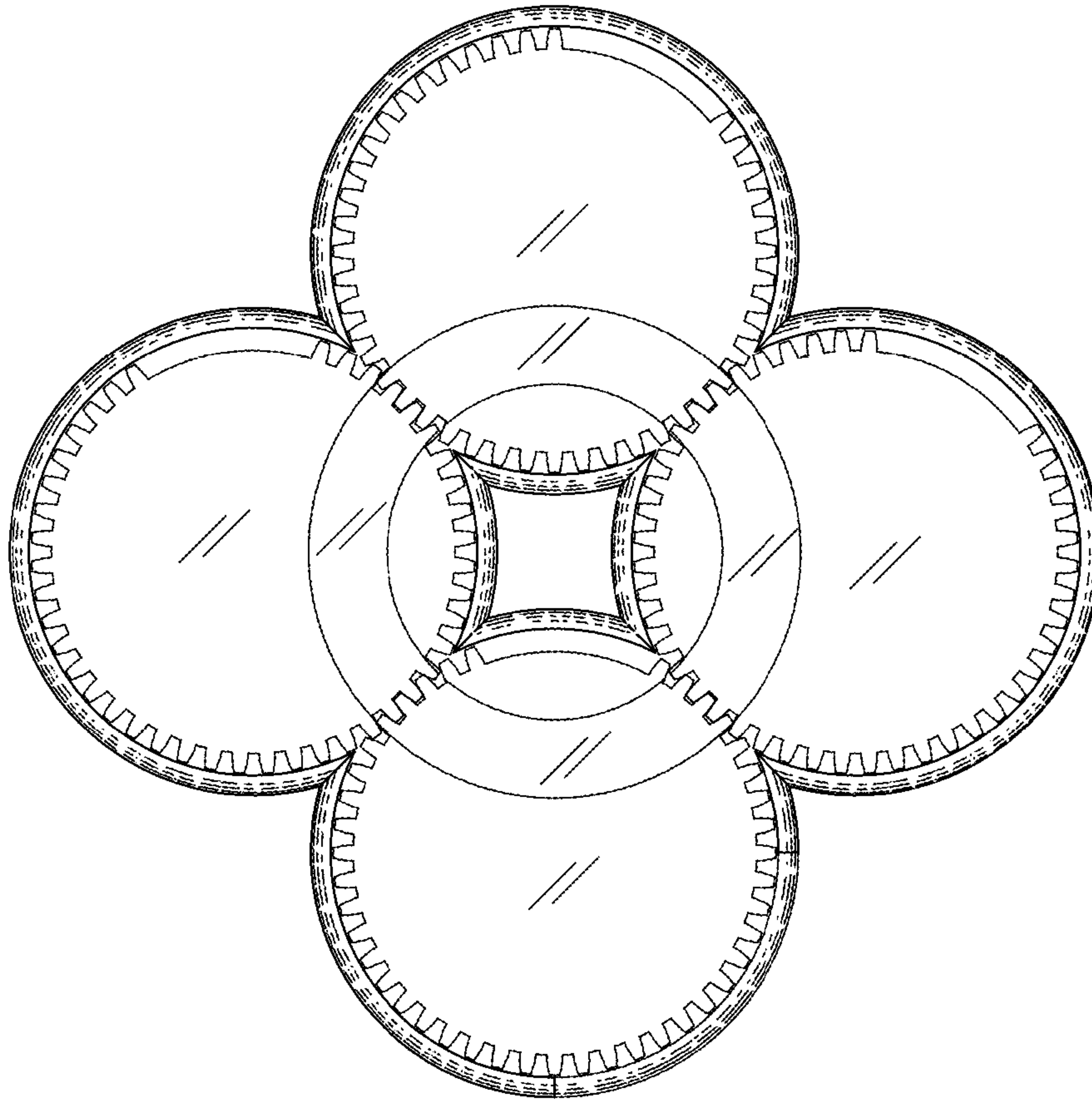


FIG. 7

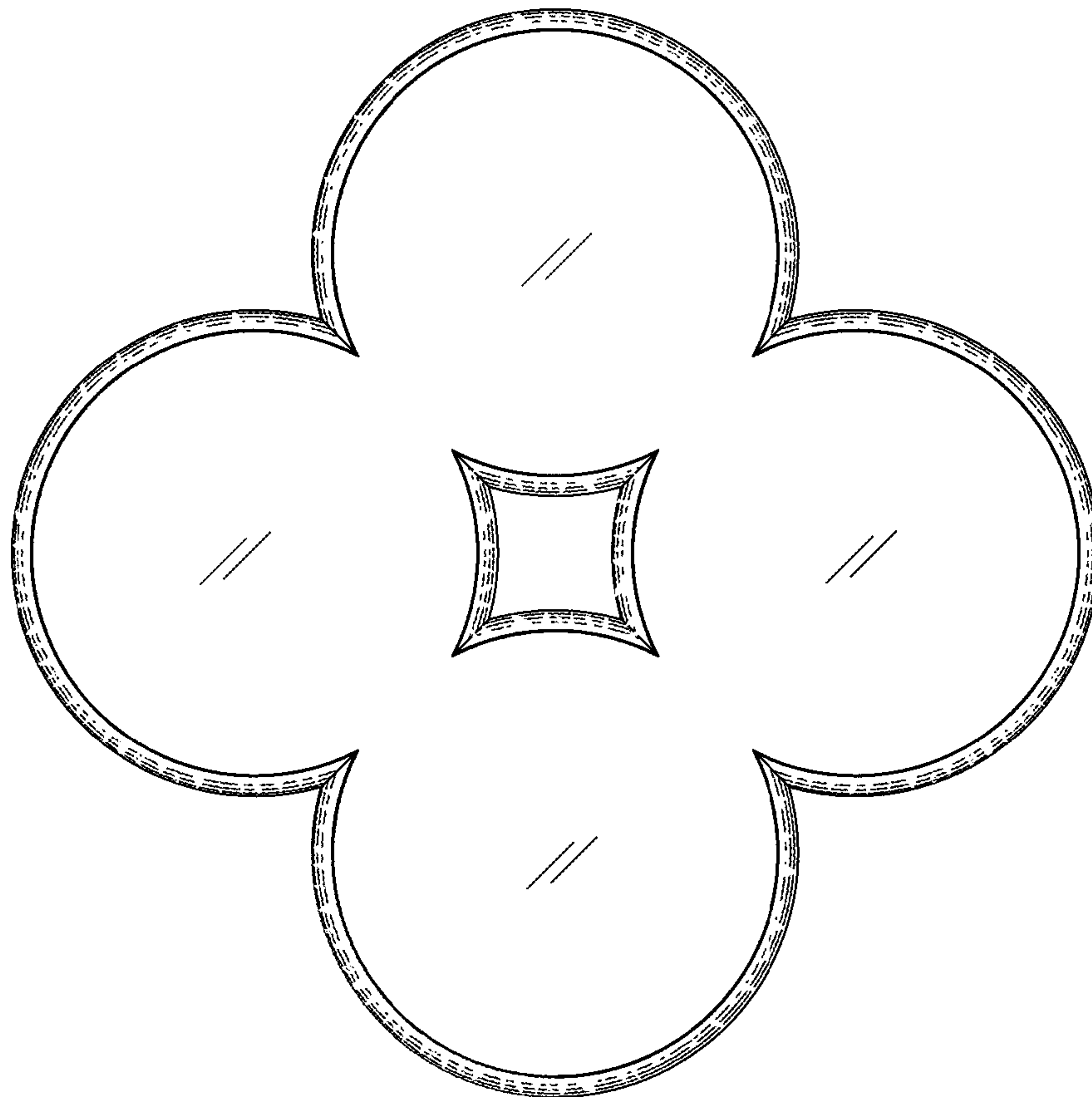


FIG. 8