



US00D774145S

(12) **United States Design Patent** (10) **Patent No.:** **US D774,145 S**
Hadley et al. (45) **Date of Patent:** **** Dec. 13, 2016**

(54) **ELECTRIC SCOOTER**

(56) **References Cited**

(71) Applicant: **RAZOR USA LLC**, Cerritos, CA (US)

U.S. PATENT DOCUMENTS

(72) Inventors: **Robert Hadley**, Yorba Linda, CA (US);
Robert Chen, San Marino, CA (US)

4,094,372 A	6/1978	Notter	
5,662,187 A	9/1997	McGovern	
6,139,035 A	10/2000	Tsai	
D433,718 S *	11/2000	McGreen	D21/423
6,273,205 B1	8/2001	Tsai	
6,298,952 B1	10/2001	Tsai	
D453,804 S *	2/2002	Robinson	D21/423
D454,377 S *	3/2002	Hsu	D21/423
D456,460 S	4/2002	Tseng	
6,394,213 B1	5/2002	Tsai	
D459,761 S	7/2002	Chen	
6,416,060 B1 *	7/2002	Chen	B62J 99/00 280/1.165

(73) Assignee: **RAZOR USA LLC**, Cerritos, CA (US)

(**) Term: **15 Years**

(21) Appl. No.: **29/553,287**

(22) Filed: **Jan. 29, 2016**

(Continued)

Related U.S. Application Data

FOREIGN PATENT DOCUMENTS

(63) Continuation of application No. 29/527,262, filed on May 18, 2015, now Pat. No. Des. 748,738, which is a continuation of application No. 29/500,274, filed on Aug. 22, 2014, now abandoned, which is a continuation of application No. 29/472,328, filed on Nov. 11, 2013, now abandoned, which is a continuation of application No. 29/415,919, filed on Mar. 15, 2012, now Pat. No. Des. 693,414.

CH 598051 4/1978

Primary Examiner — Cynthia M Chin

(74) *Attorney, Agent, or Firm* — Knobbe, Martens, Olson & Bear, LLP

(51) **LOC (10) Cl.** **21-01**

(57) **CLAIM**

The ornamental design for an electric scooter, as shown and described.

(52) **U.S. Cl.**

DESCRIPTION

USPC **D21/423**

(58) **Field of Classification Search**

USPC D21/419, 421, 423, 426–428, 435, D21/668–671, 760, 765, 771; D12/1, 8, D12/108, 112, 113; 280/8, 14.21, 14.25, 280/14.26, 87.041, 87.042, 200, 214, 220, 280/221, 239, 263, 288.1, 288.2, 288.4, 280/809; 180, 180/181, 227, 228
CPC B62K 3/002; B62K 9/00; B62K 9/02; B62K 13/00; B62K 2202/00

See application file for complete search history.

FIG. 1 is a perspective view showing top, left and rear sides of an electric scooter.

FIG. 2 is a right side view of the electric scooter of FIG. 1.

FIG. 3 is a left side view of the electric scooter of FIG. 1.

FIG. 4 is a front view of the electric scooter of FIG. 1.

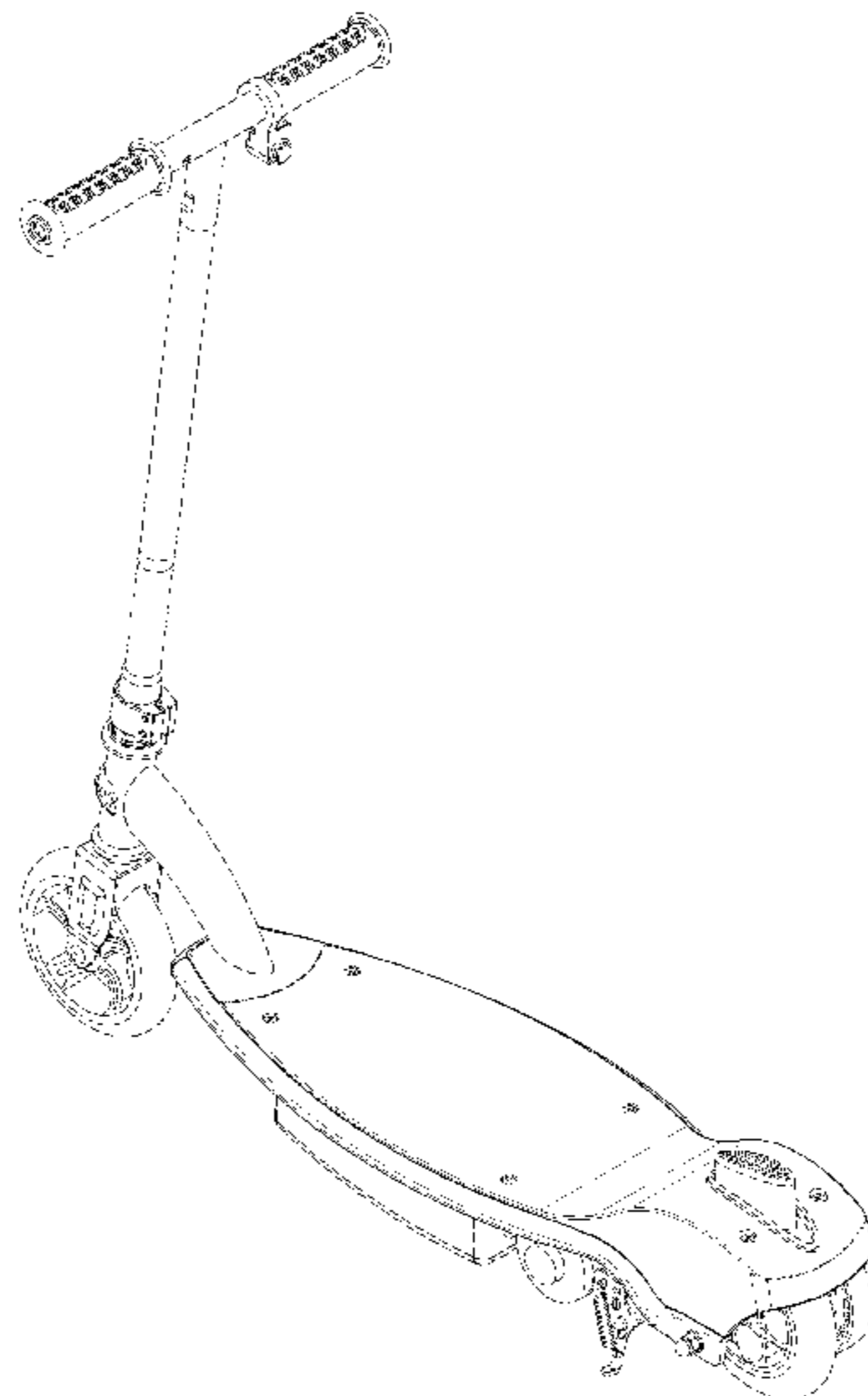
FIG. 5 is a rear view of the electric scooter of FIG. 1.

FIG. 6 is a top view of the electric scooter of FIG. 1; and,

FIG. 7 is a bottom view of the electric scooter of FIG. 1.

Where utilized, the broken lines show portions of the electric scooter that form no part of the claimed design.

1 Claim, 5 Drawing Sheets



(56)

References Cited

U.S. PATENT DOCUMENTS

6,462,493	B2	10/2002	Lan	
D471,597	S	3/2003	Chen	
D471,598	S	3/2003	Chen	
6,619,416	B2	9/2003	Lan	
D486,532	S	2/2004	Christianson	
6,739,421	B1	5/2004	Miya	
D492,367	S	6/2004	Dennis	
D497,397	S	10/2004	Sramek	
6,832,660	B2	12/2004	Dodd	
D513,629	S *	1/2006	Sramek	D21/423
D516,132	S	2/2006	Sramek	
D569,447	S	5/2008	Thomas	
D603,463	S	11/2009	Jessie, Jr.	
D656,560	S	3/2012	Patterson et al.	
D672,400	S	12/2012	Pizzi	
D693,414	S *	11/2013	Hadley	D21/423
D698,868	S	2/2014	Chan	
D714,396	S	9/2014	Talios	
D715,870	S *	10/2014	Talios	D21/423
2002/0105157	A1	8/2002	Chen	
2003/0221888	A1	12/2003	McKinney, Jr. et al.	
2007/0045976	A1	3/2007	Wu	

* cited by examiner

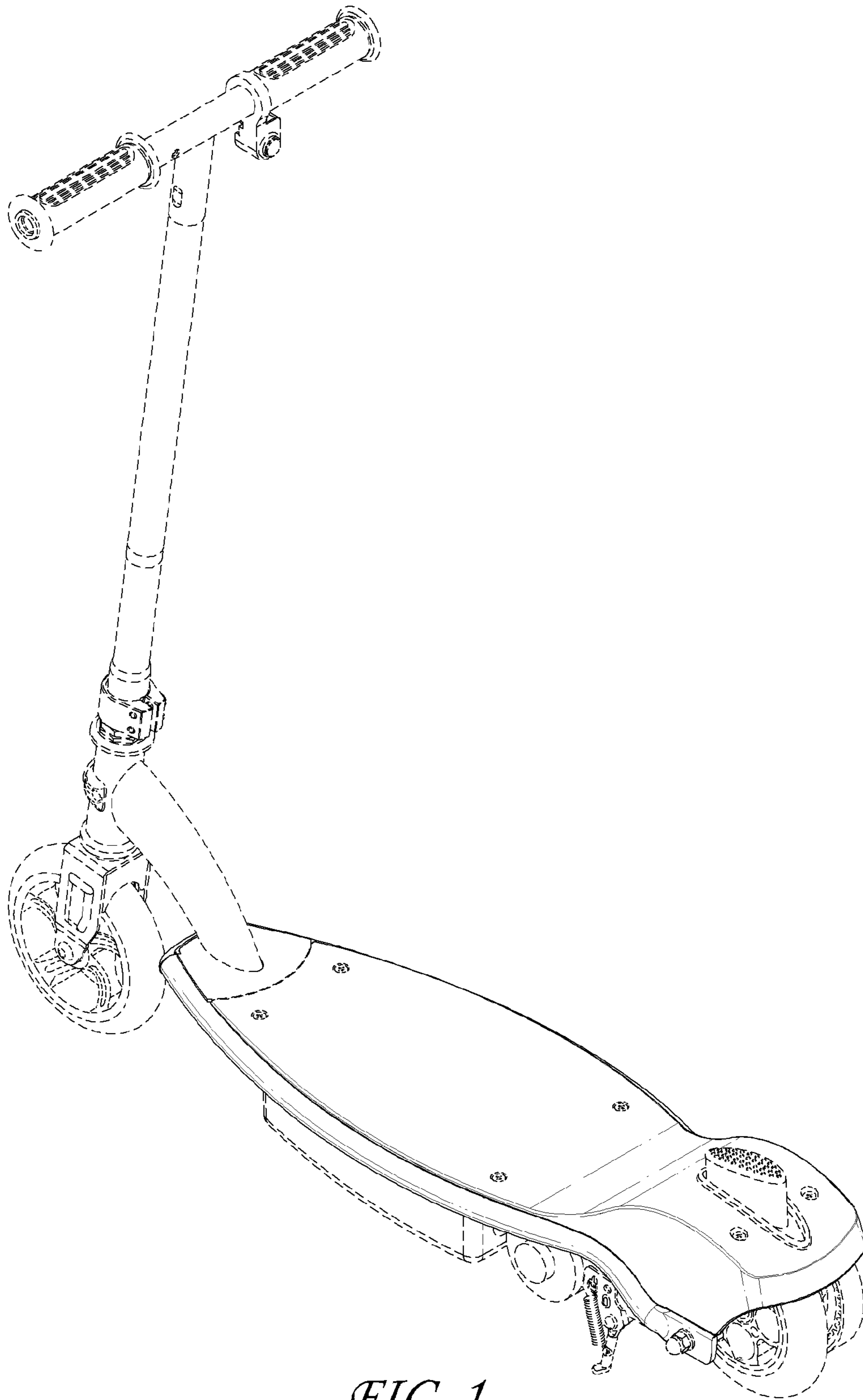


FIG. 1

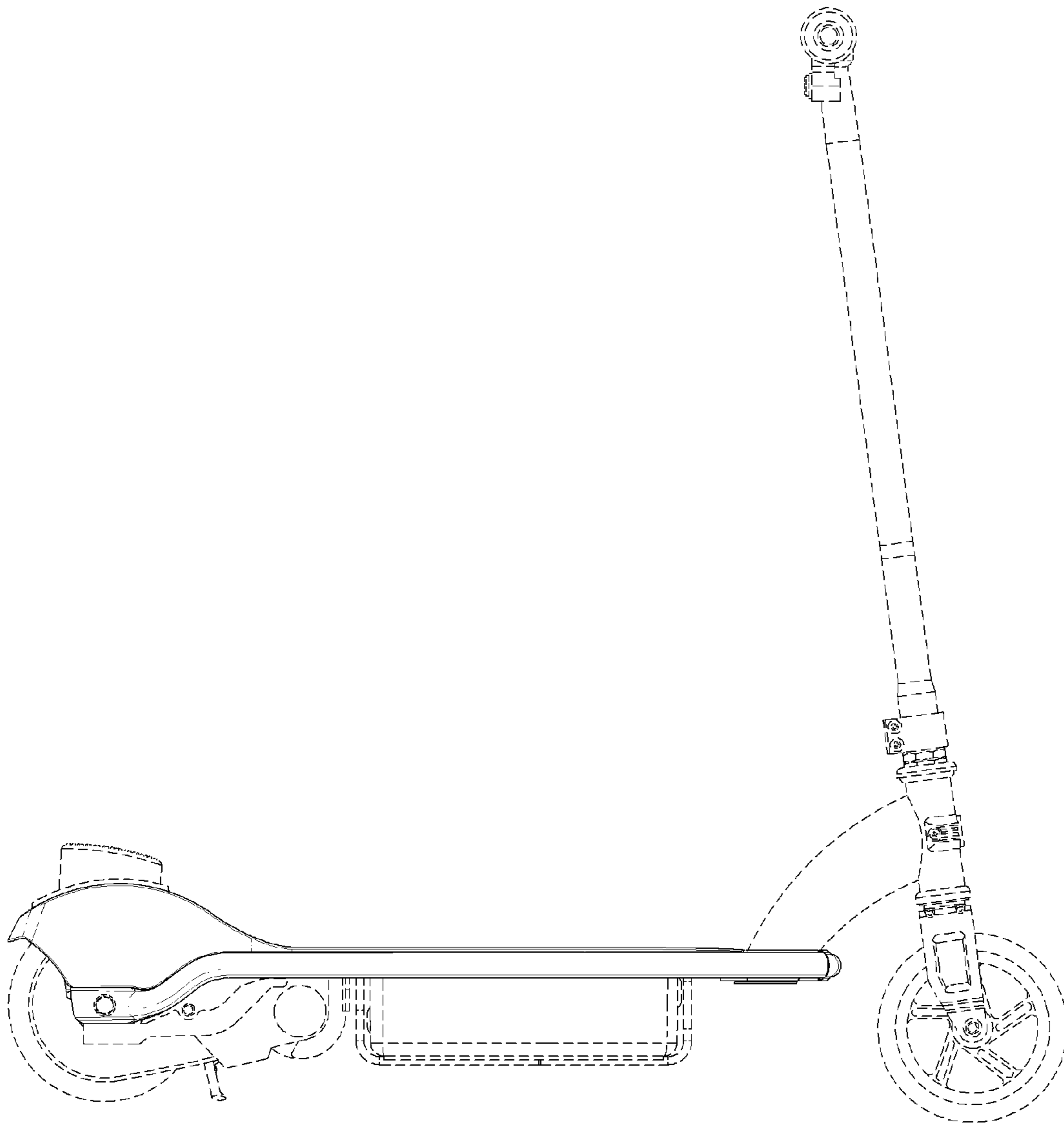


FIG. 2

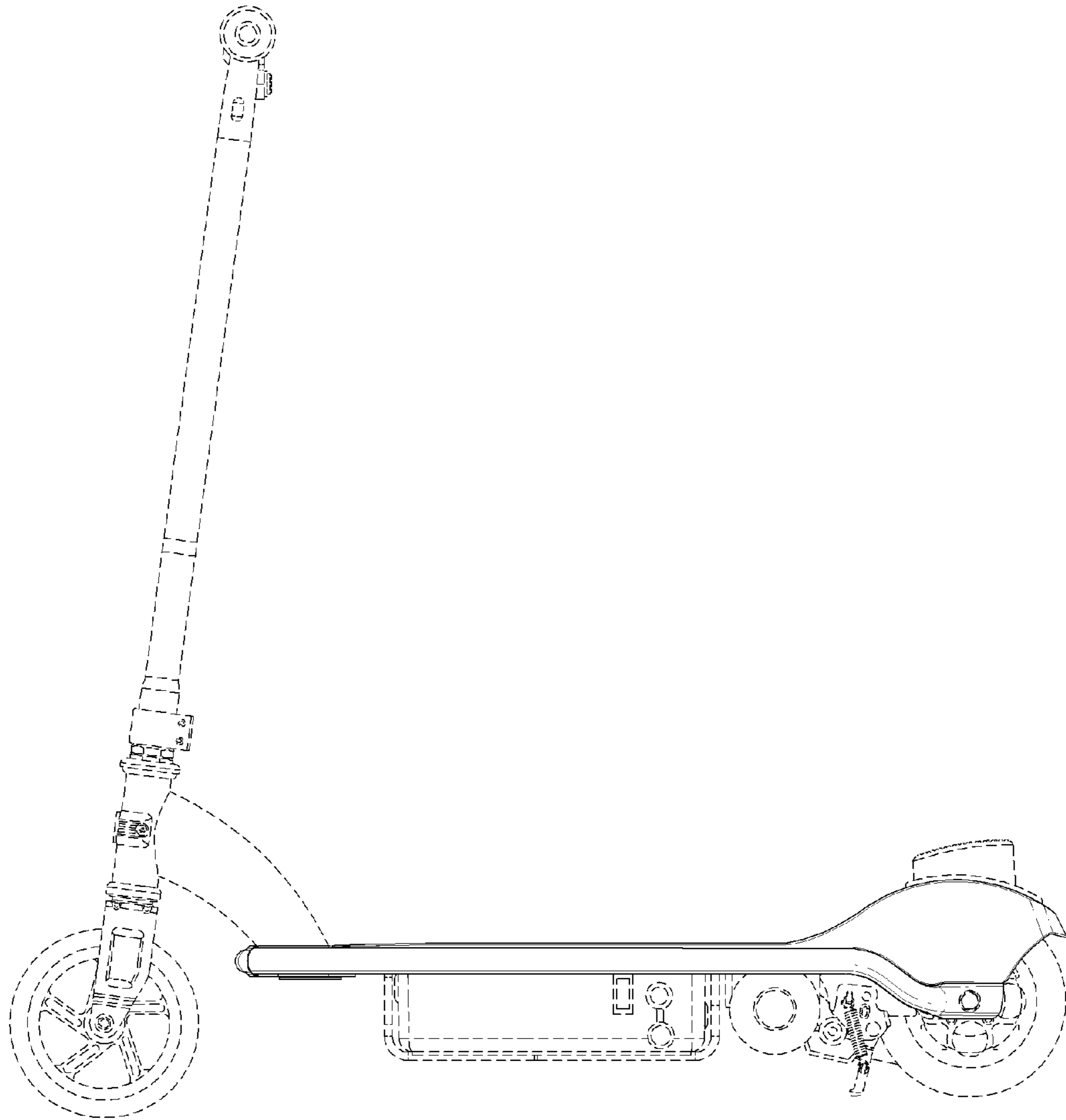


FIG. 3

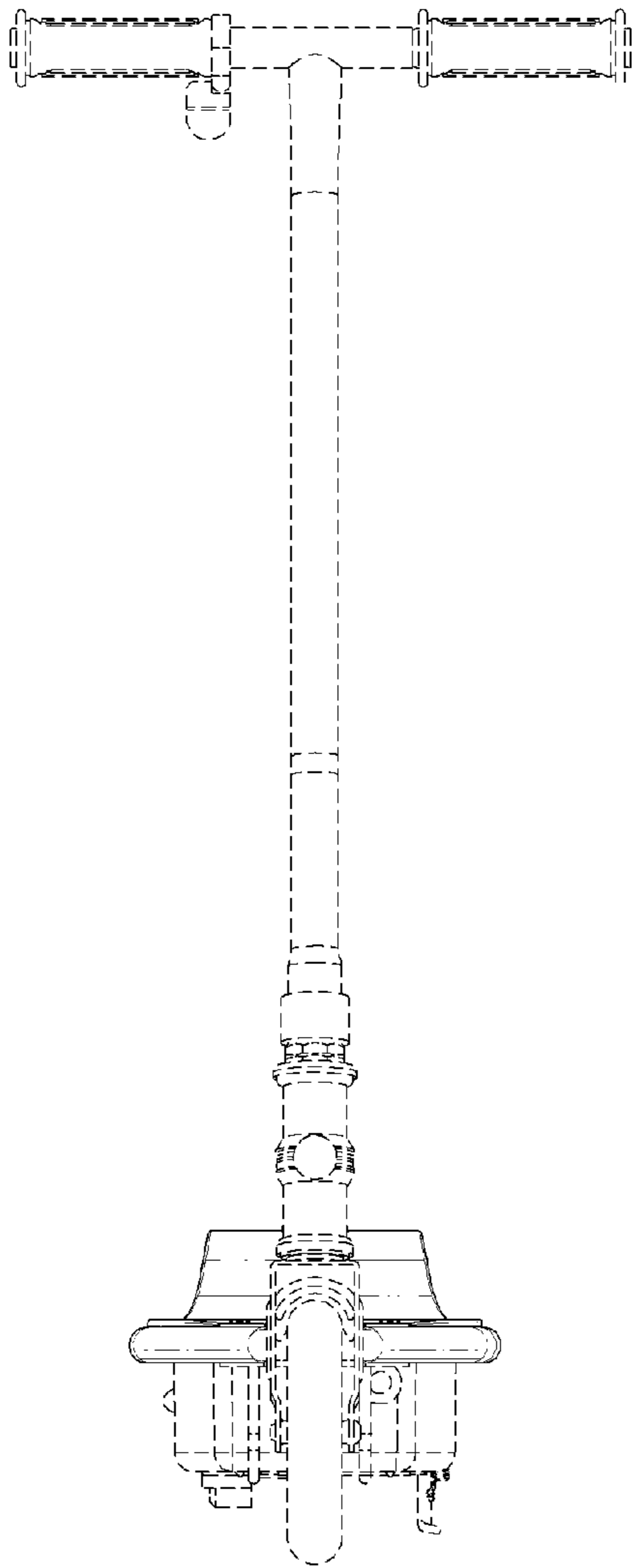


FIG. 4

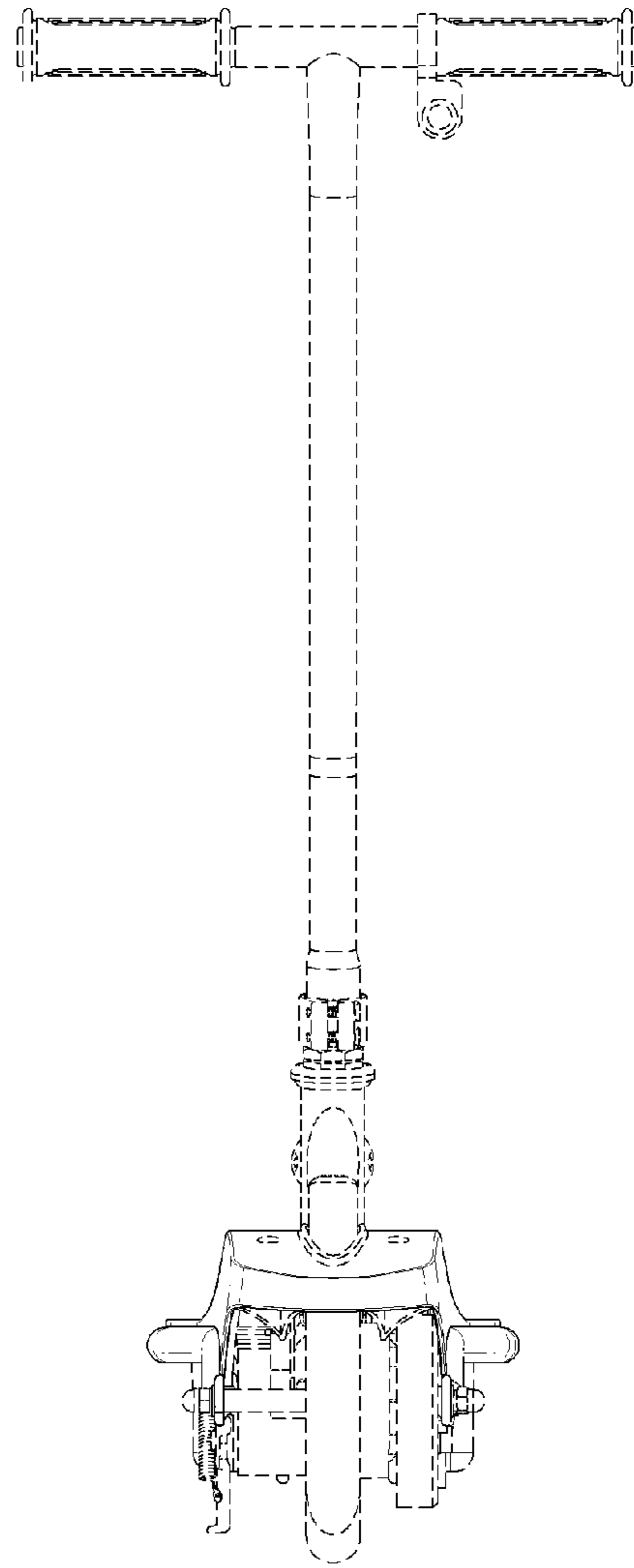


FIG. 5

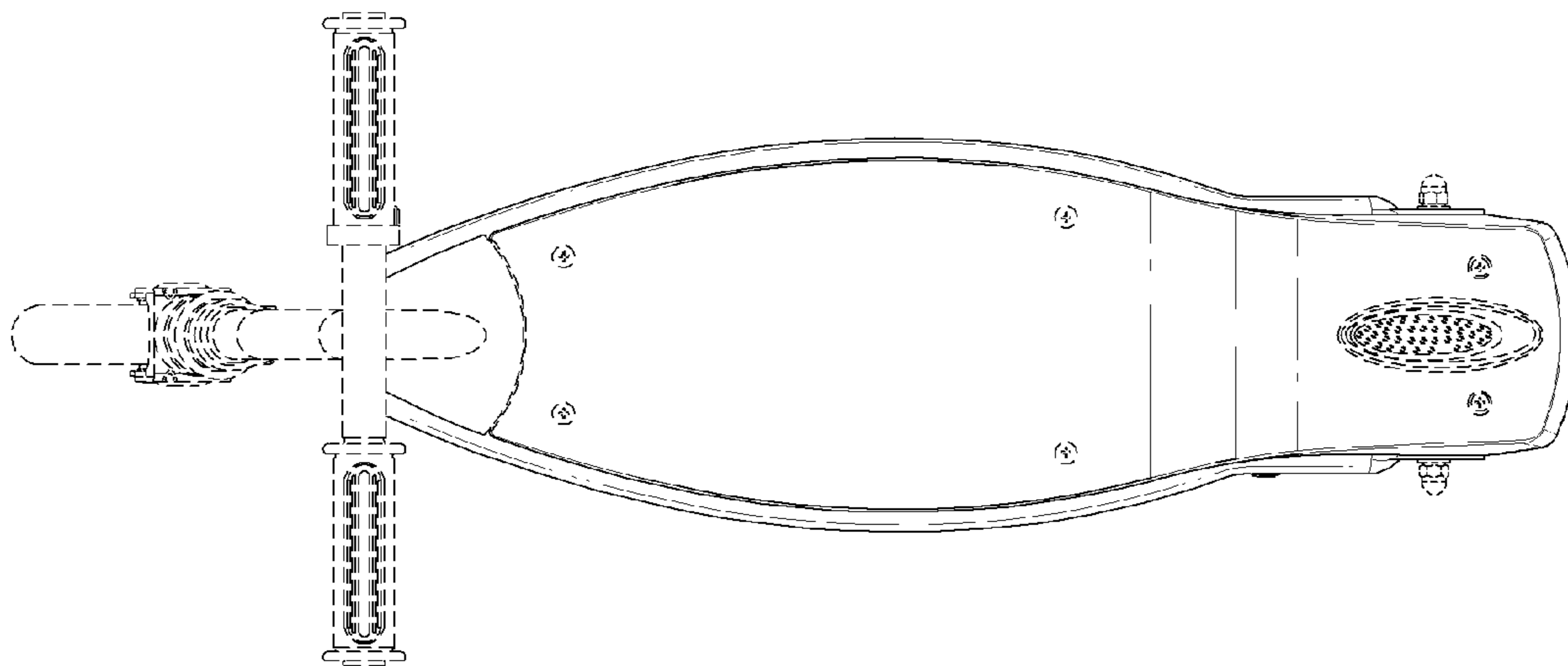


FIG. 6

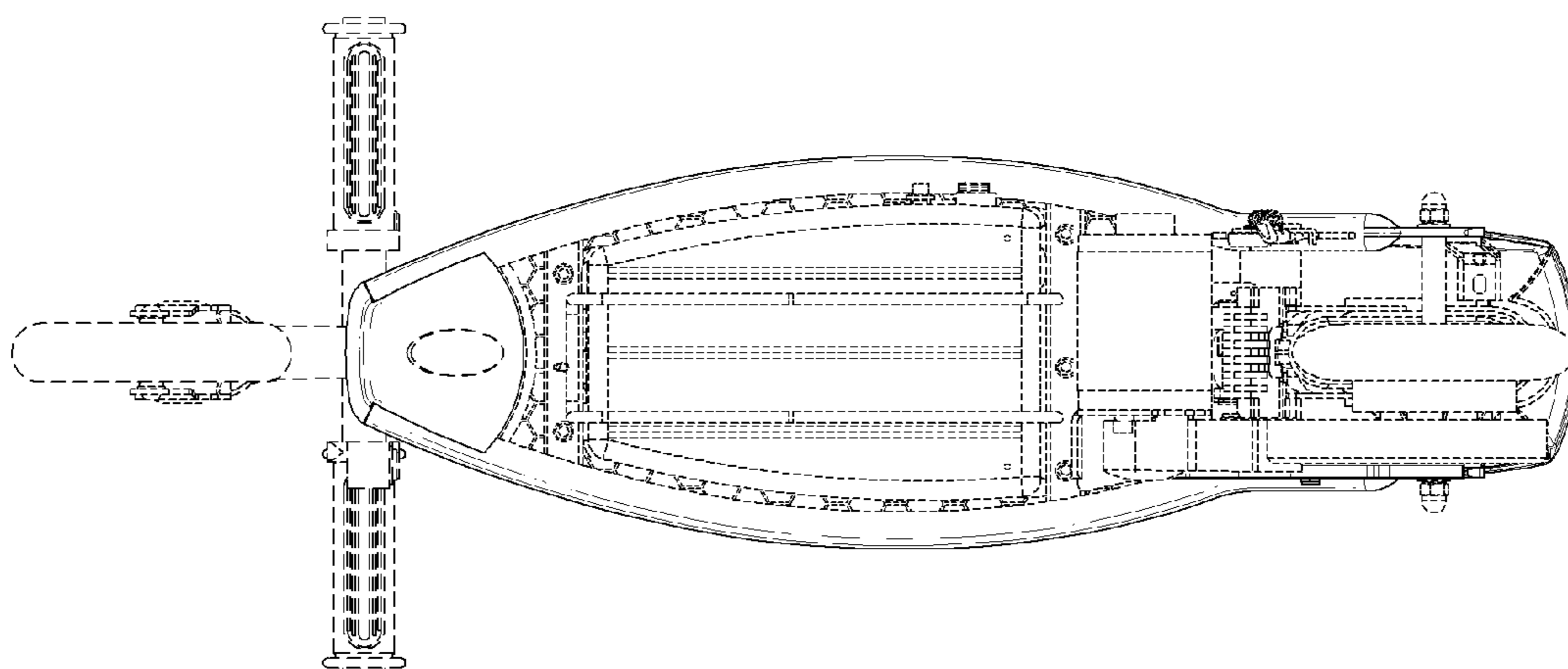


FIG. 7