



US00D774143S

(12) **United States Design Patent** (10) **Patent No.:** **US D774,143 S**
Kujawski et al. (45) **Date of Patent:** **** *Dec. 13, 2016**

(54) **THUMBSTICK ATTACHMENT FOR A CONTROLLER**
(71) Applicant: **Microsoft Corporation**, Redmond, WA (US)
(72) Inventors: **Christopher Kujawski**, Seattle, WA (US); **Kenneth Jasinski**, Seattle, WA (US); **Carl J. Ledbetter**, Mercer Island, WA (US)

D415,752 S 10/1999 Tyler et al.
D424,047 S 5/2000 Chan
D435,551 S 12/2000 Hayes
6,231,444 B1 5/2001 Goto et al.
D449,042 S 10/2001 Chung
D453,932 S 2/2002 Han et al.
6,463,159 B1 10/2002 Ming-Cheng
D467,922 S 12/2002 Lee
D476,376 S 6/2003 Wintersteiger
6,572,108 B1 6/2003 Bristow
6,743,100 B1 6/2004 Neiser
(Continued)

(73) Assignee: **Microsoft Corporation**, Redmond, WA (US)

FOREIGN PATENT DOCUMENTS

(*) Notice: This patent is subject to a terminal disclaimer.

JP D1297485 4/2007
JP D1492115 3/2014

(Continued)

(**) Term: **15 Years**

OTHER PUBLICATIONS

(21) Appl. No.: **29/530,114**

May 2, 2016—(US) Notice of Allowance—U.S. Appl. No. 29/530,225, filed Jun. 15, 2015; Inv: Christopher Kujawski.

(22) Filed: **Jun. 12, 2015**

(Continued)

(51) **LOC (10) Cl.** **21-01**

Primary Examiner — Prabhakar Deshmukh

(52) **U.S. Cl.**

(74) *Attorney, Agent, or Firm* — Banner & Witcoff, Ltd.

USPC **D21/333**; D14/400; D14/454

(58) **Field of Classification Search**

USPC D14/496, 401, 435, 474, 483, 217, 137, D14/138, 160, 168, 356, 203.1–203.8, 507; 345/156, 169, 173–179, 905; 715/727–729, 715/864, 700, 706, 719; 710/1, 5, 8; 713/1, 600; 455/1.1, 1.7, 73, 344–347, 93, 95, 455/3.01–3.06, 550.1, 573.1; 370/342–344; 369/1, 2, 6–12; 463/51–57, 40–47, 1, 463/29–35; D21/324, 328, 333; 273/148 B
CPC A63F 13/00; A63F 13/02; A63F 9/00; G06F 17/00; G06F 19/00

See application file for complete search history.

(57) **CLAIM**

The ornamental design for a thumbstick attachment for a controller, as shown and described.

DESCRIPTION

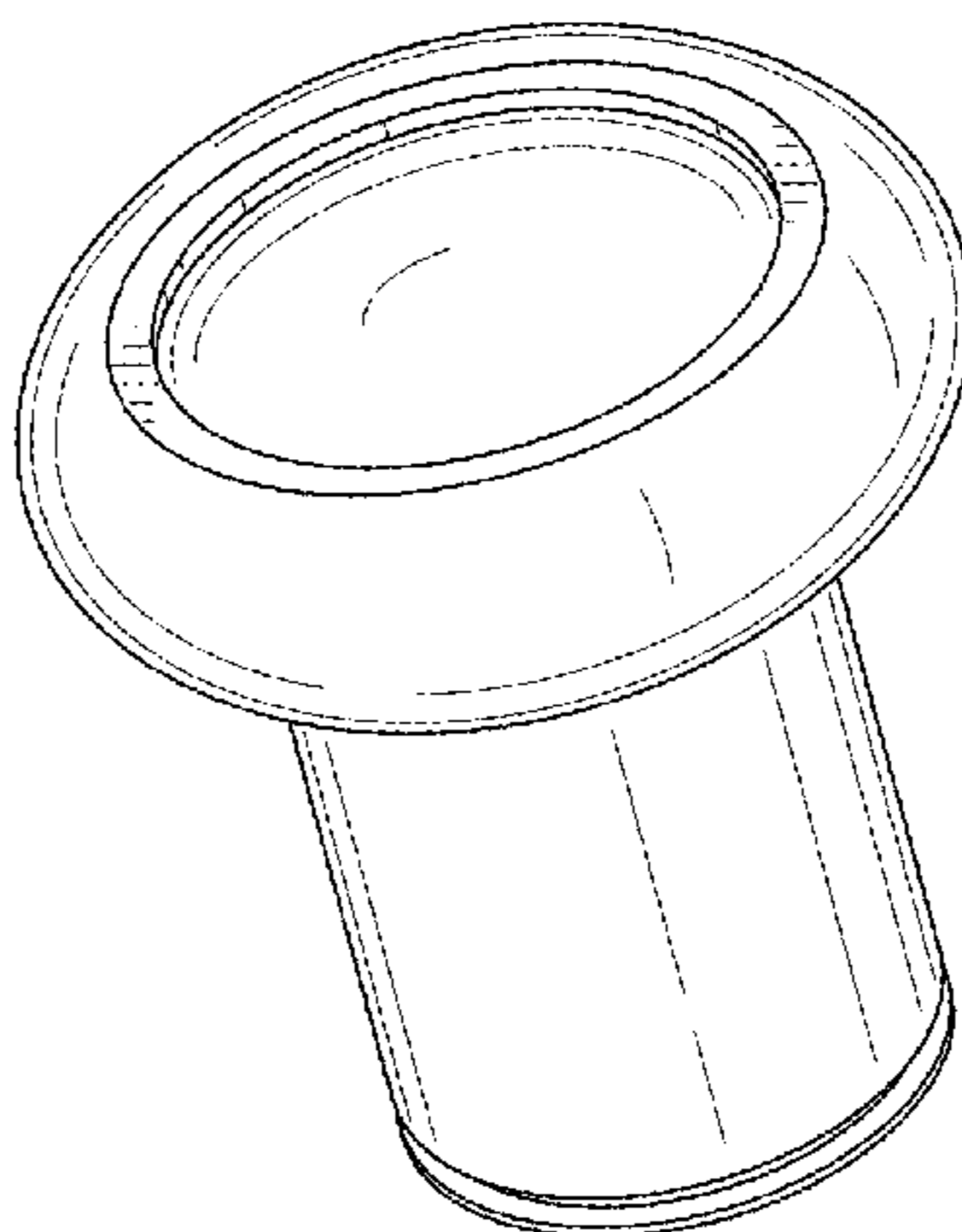
FIG. 1 is a front perspective view of a thumbstick attachment for a controller showing our new design;
FIG. 2 is a top view thereof;
FIG. 3 is a bottom view thereof;
FIG. 4 is a front view thereof;
FIG. 5 is a rear view thereof;
FIG. 6 is a right side view thereof; and,
FIG. 7 is a left side view thereof.

(Continued)

(56) **References Cited**

U.S. PATENT DOCUMENTS

D368,936 S 4/1996 Goto
D398,214 S 9/1998 Yui



The broken line showing of the unshaded circular region of the thumbstick attachment for a controller in FIG. 3 is for environmental purposes only and forms no part of the claimed design.

1 Claim, 4 Drawing Sheets

(56)

References Cited

U.S. PATENT DOCUMENTS

6,956,559 B2 * 10/2005 Hagiwara A63F 13/06
345/156

6,968,070 B1 11/2005 Chiang
D521,015 S 5/2006 Hayes et al.
D522,011 S * 5/2006 Hayes D14/401
D522,012 S 5/2006 Hayes et al.
7,063,321 B2 6/2006 Hussaini et al.
7,105,754 B2 9/2006 Turner
D533,011 S 12/2006 Pai
7,195,561 B2 3/2007 Hussaini et al.
7,235,012 B2 6/2007 DiDato
D547,763 S * 7/2007 Hayes D14/401
D556,201 S 11/2007 Ashida et al.
7,314,413 B2 1/2008 Ogata et al.
D563,480 S 3/2008 Blaseflug et al.
D565,668 S 4/2008 Baseflug et al.
D568,335 S 5/2008 Armstrong et al.
D569,388 S 5/2008 Armstrong et al.
D581,422 S 11/2008 Hayes et al.
7,445,550 B2 11/2008 Barney et al.
D601,564 S 10/2009 Maeno
D619,596 S 7/2010 Maitlen et al.
7,762,553 B2 7/2010 Harris
D624,049 S 9/2010 Liu
7,887,768 B2 * 2/2011 Honjo B01D 53/64
422/168

D636,773 S * 4/2011 Lin D14/401
D637,153 S 5/2011 Ikeda et al.
D638,016 S 5/2011 Ikeda
D646,275 S 10/2011 Ikeda et al.
D650,795 S 12/2011 Koehn
D655,350 S 3/2012 Taniguchi et al.
D658,178 S 4/2012 Ikeda et al.
D658,179 S 4/2012 Ikeda et al.
D659,140 S 5/2012 Ikeda et al.
D667,892 S 9/2012 Burgess et al.
D685,434 S 7/2013 Ali et al.
8,487,876 B2 7/2013 Ikeda et al.
D692,001 S 10/2013 Ibuki et al.
8,545,323 B2 * 10/2013 McVicar A63F 13/06
345/161

D692,887 S 11/2013 Ibuki et al.
D694,830 S 12/2013 Crowley et al.
D700,182 S * 2/2014 Kidakarn D14/401
8,641,525 B2 2/2014 Burgess et al.
D707,758 S * 6/2014 Norman D14/401
D708,615 S 7/2014 Delrue et al.
D709,498 S 7/2014 Morris et al.

D709,499 S 7/2014 Morris et al.
D709,882 S * 7/2014 Morris D14/401
D712,973 S 9/2014 Sumii et al.
D715,865 S * 10/2014 Morris D21/333
8,903,100 B2 12/2014 Hiraki
8,903,111 B2 * 12/2014 Garet 345/156
8,925,414 B1 * 1/2015 Park B63H 21/21
137/636.1

8,994,666 B2 3/2015 Karpfinger
D730,451 S 5/2015 Burgess et al.
9,029,721 B2 5/2015 Ikeda et al.
9,053,243 B2 6/2015 Townsend
D733,802 S 7/2015 Burgess et al.
D736,322 S 8/2015 Navid
9,118,750 B2 8/2015 Vossoughi et al.
D748,734 S 2/2016 Burgess et al.
9,251,701 B2 2/2016 Plagege et al.
2006/0116204 A1 6/2006 Chen et al.

FOREIGN PATENT DOCUMENTS

JP D1549312 4/2016
KR 30-0751062-000 7/2014
TW D165793 2/2015

OTHER PUBLICATIONS

May 11, 2016—(US) Restriction Requirement—U.S. Appl. No. 29/530,106, filed Jun. 15, 2015; Inv: Christopher Kujawski.
May 10, 2016—(US) Restriction Requirement—U.S. Appl. No. 29/530,098, filed Jun. 15, 2015; Inv: Christopher Kujawski.
May 17, 2016—(US) Notice of Allowance—U.S. Appl. No. 29/530,102, filed Jun. 12, 2015; Inv: Christopher Kujawski.
May 6, 2016—(US) Notice of Allowance—U.S. Appl. No. 29/530,110, filed Jun. 12, 2015; Inv: Christopher Kujawski.
May 5, 2016—(US) Notice of Allowance—U.S. Appl. No. 29/530,108; filed Jun. 12, 2015; Inv: Christopher Kujawski.
May 2, 2016—(US) Notice of Allowance—U.S. Appl. No. 29/530,122; filed Jun. 12, 2015; Inv: Christopher Kujawski.
Apr. 26, 2016—(US) Notice of Allowance—U.S. Appl. No. 29/530,111, filed Jun. 12, 2015; Inv: Christopher Kujawski.
Apr. 11, 2016—(US) Notice of Allowance—U.S. Appl. No. 29/530,113, filed Jun. 12, 2015; Inv: Christopher Kujawski.
Apr. 11, 2016—(US) Notice of Allowance—U.S. Appl. No. 29/530,115, filed Jun. 12, 2015; Inv: Christopher Kujawski.
May 6, 2016—(US) Notice of Allowance—U.S. Appl. No. 29/530,116, filed Jun. 12, 2015; Inv: Christopher Kujawski.
May 2, 2016—(US) Notice of Allowance—U.S. Appl. No. 29/530,120, filed Jun. 12, 2015; Inv: Christopher Kujawski.
May 6, 2016—(US) Notice of Allowance—U.S. Appl. No. 29/530,285, filed Jun. 15, 2015; Inv: Christopher Kujawski.
Jun. 22, 2016—(US) Notice of Allowance—U.S. Appl. No. 29/530,243, filed Jun. 12, 2015; Inv: Christopher Kujawski.
Apr. 26, 2016—(US) Notice of Allowance—U.S. Appl. No. 29/530,237, filed Jun. 15, 2015; Inv: Christopher Kujawski.
Side-by-side: Xbox One Gamepad vs Xbox 360 gamepad (Jun. 11, 2013), <http://www.techradar.com/us/news/gaming/consoles/side-by-side-xbox-one-gamepad-vs-xbox-360-gamepad-1158091>.

* cited by examiner

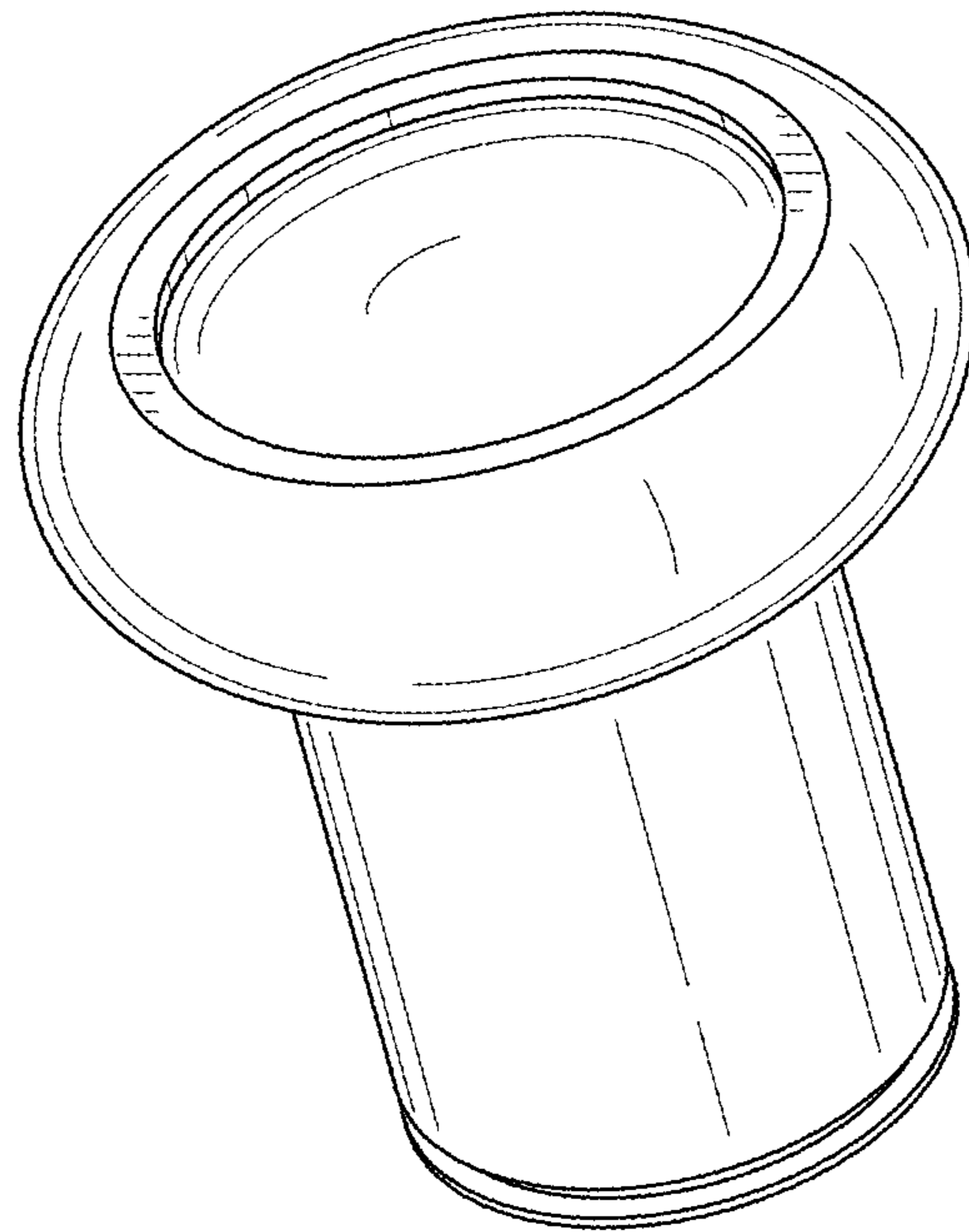


FIG. 1

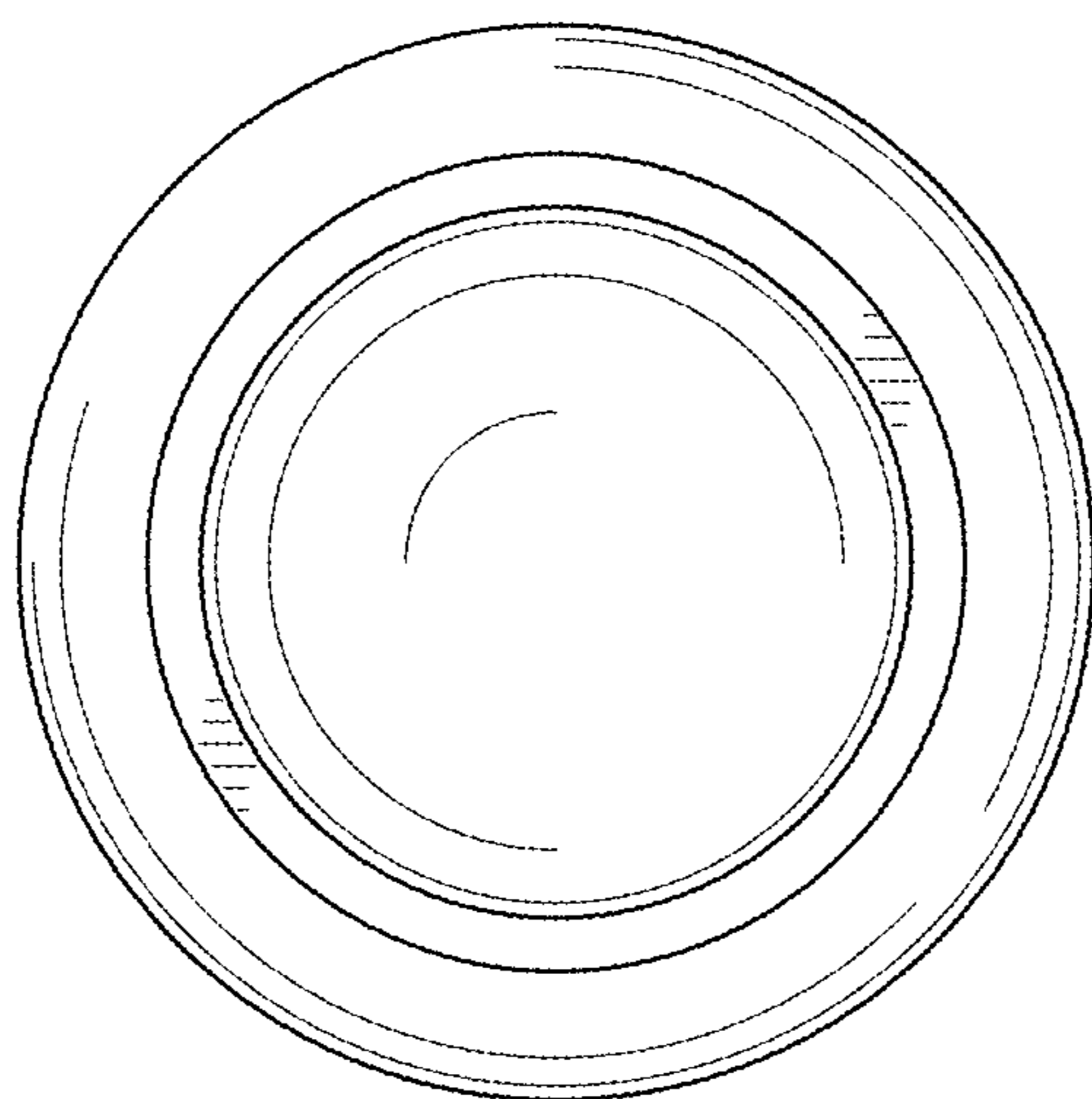


FIG. 2

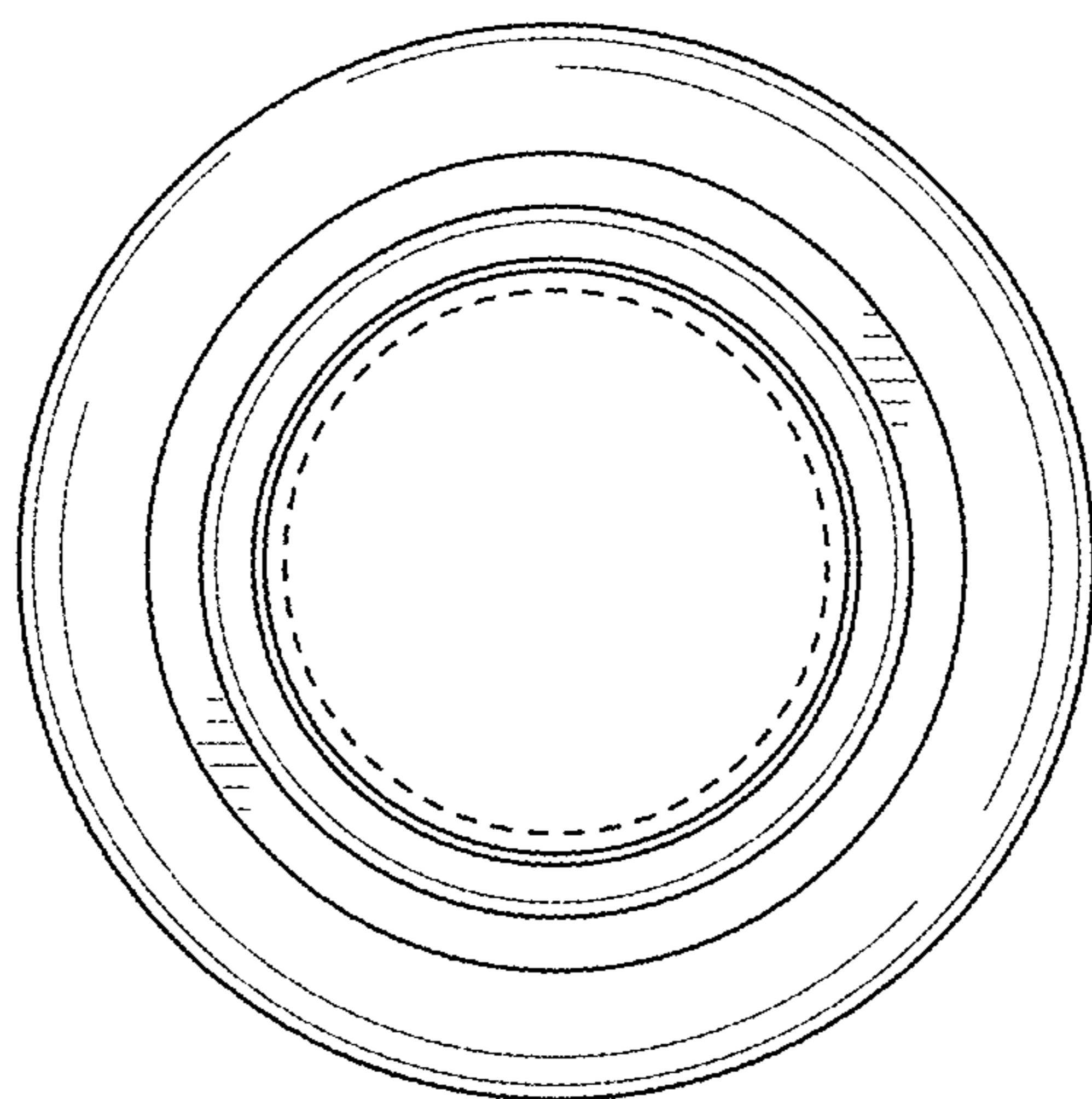


FIG. 3

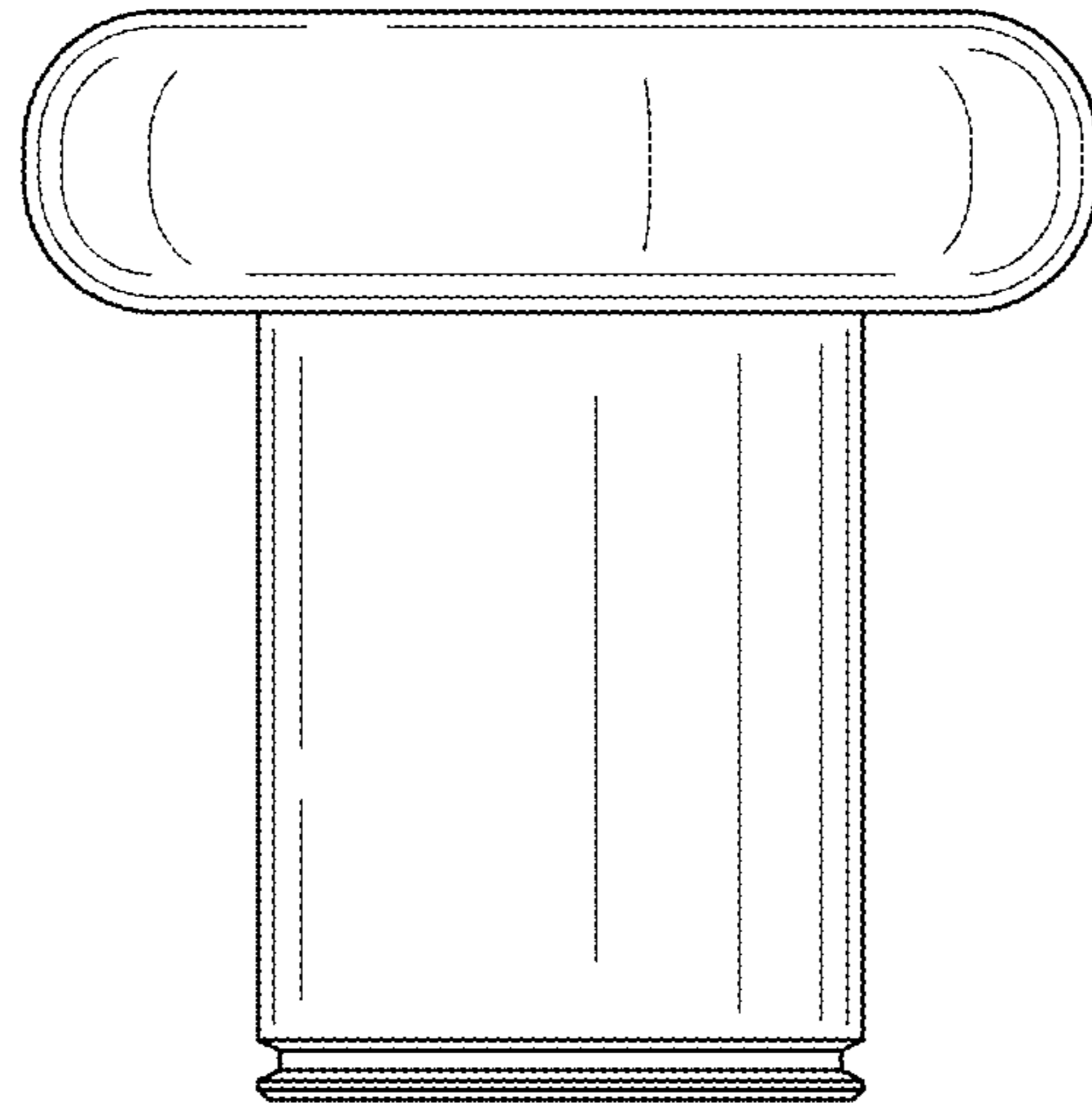


FIG. 4

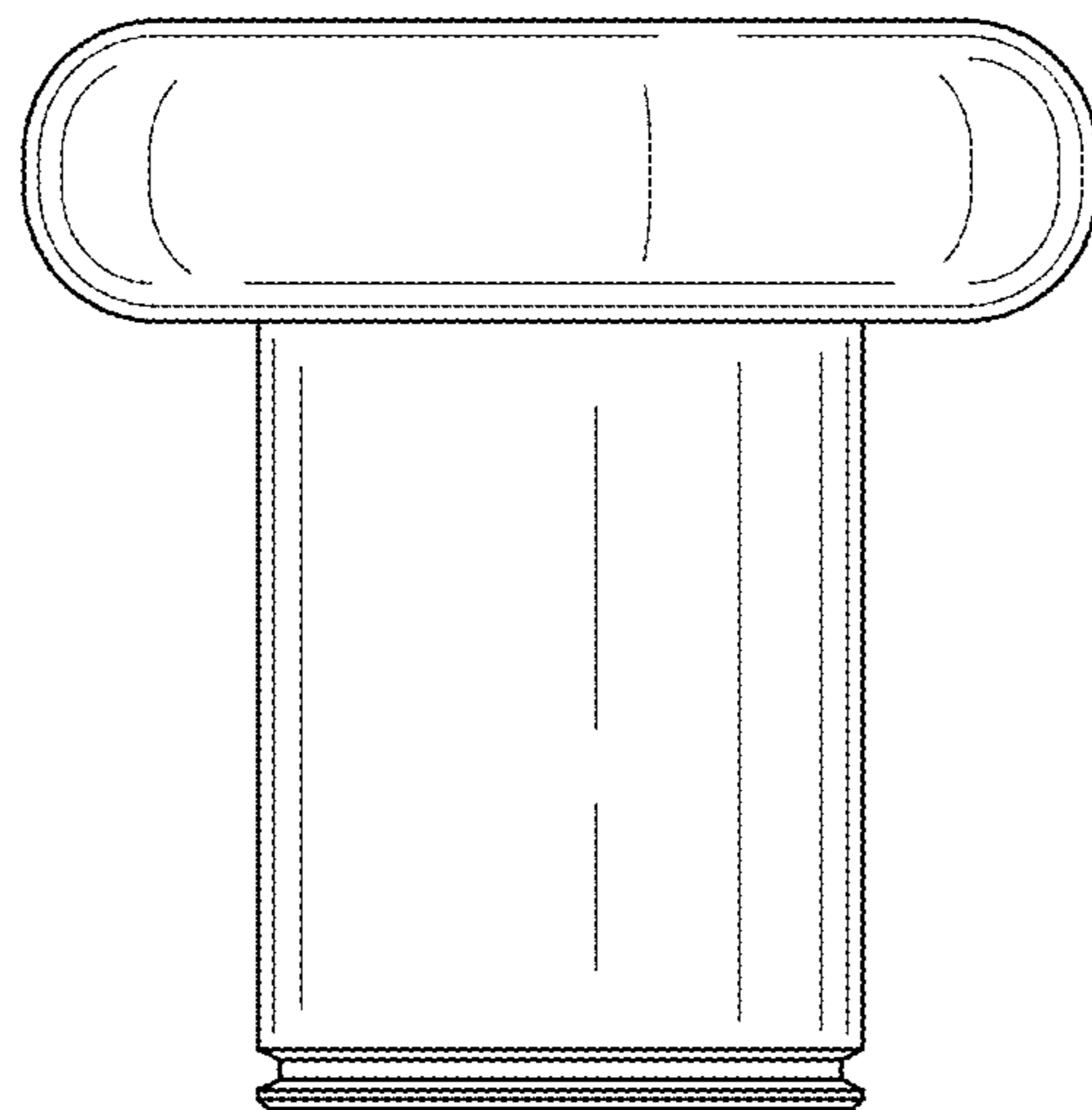


FIG. 5

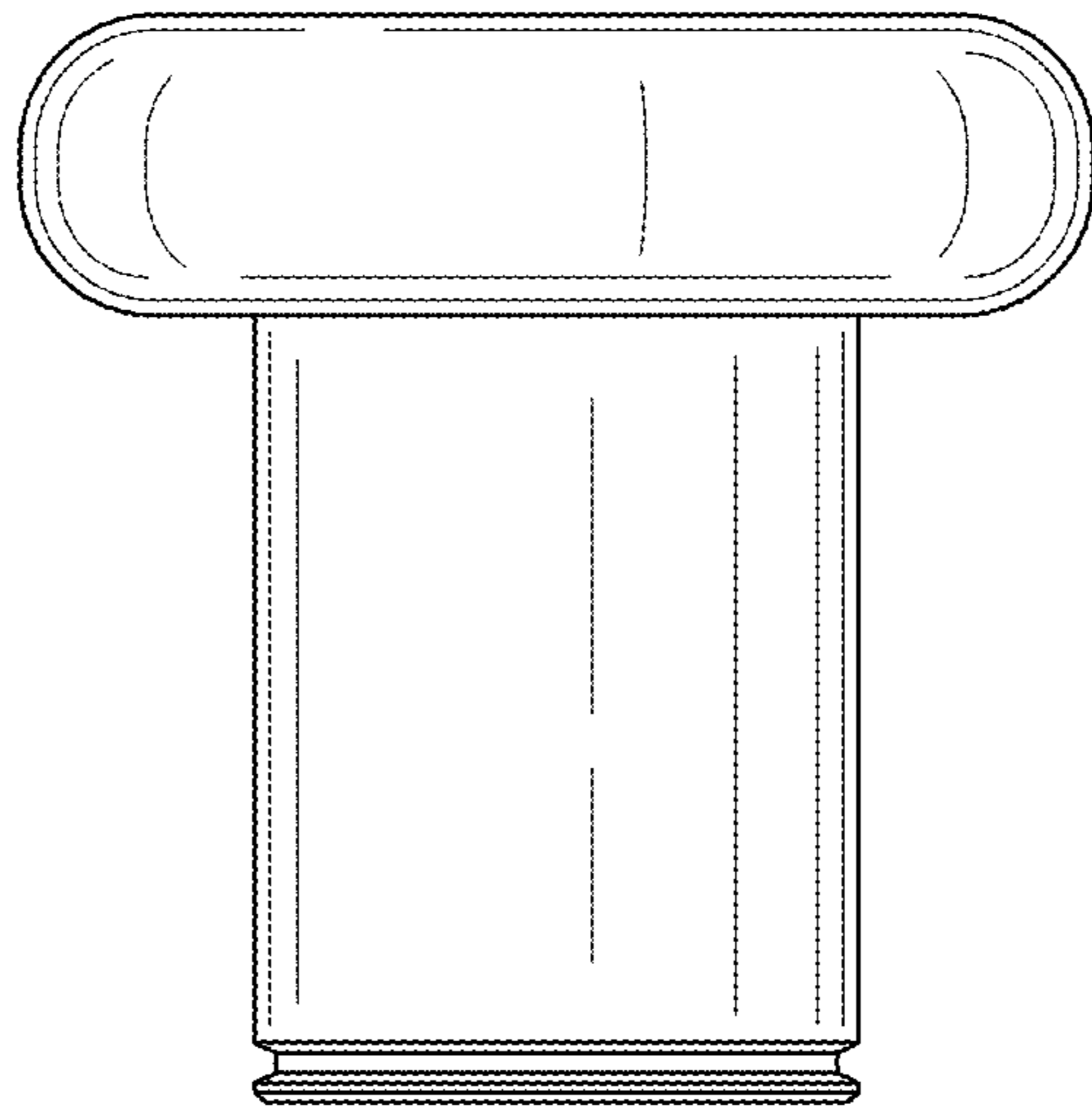


FIG. 6

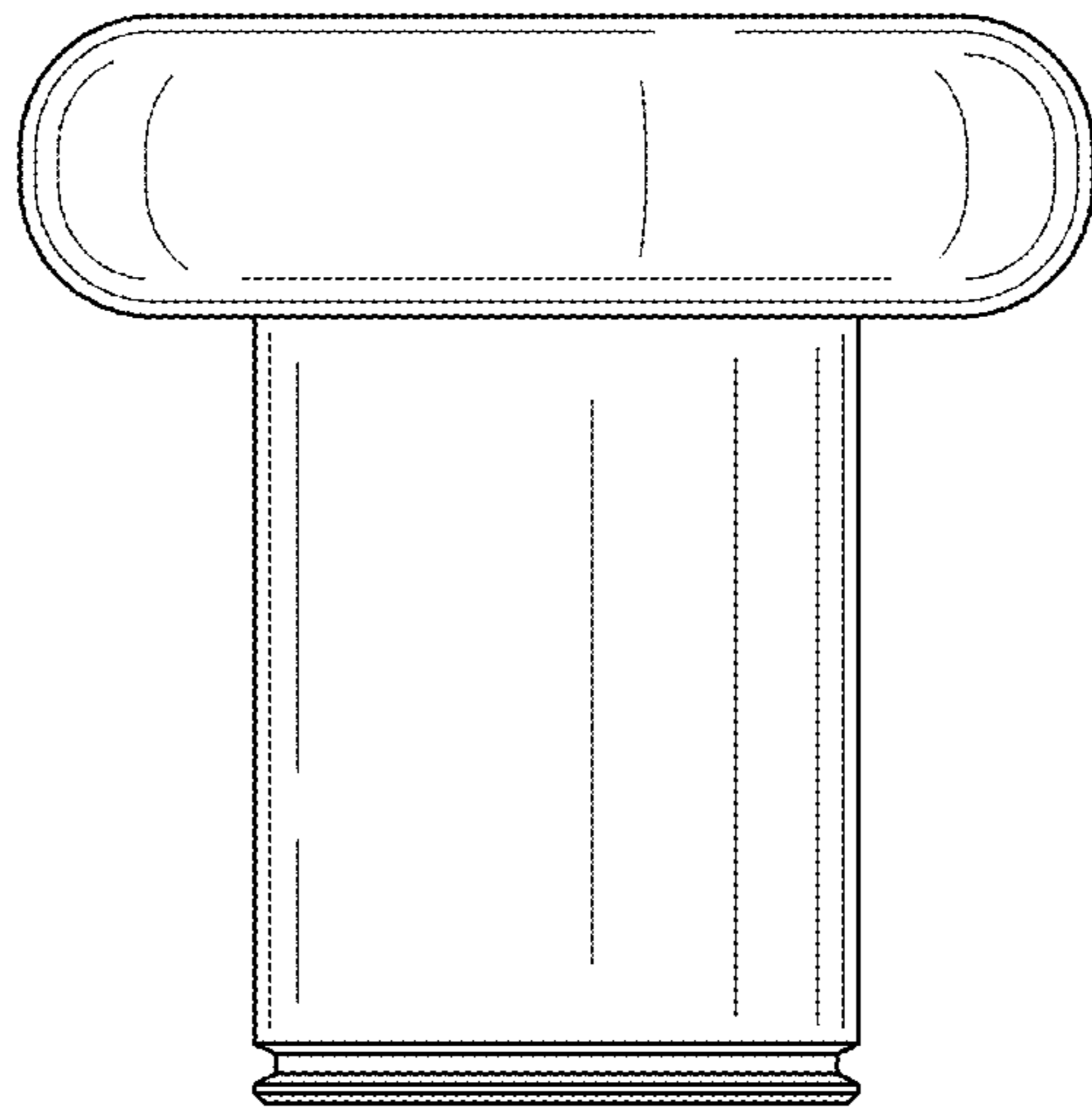


FIG. 7