



US00D774140S

(12) **United States Design Patent**
Newson

(10) **Patent No.:** **US D774,140 S**

(45) **Date of Patent:** **** Dec. 13, 2016**

- (54) **PEN**
- (71) Applicant: **Montblanc-Simplo GmbH**, Hamburg (DE)
- (72) Inventor: **Marc Andrew Newson**, London (GB)
- (73) Assignee: **Montblanc-Simplo GmbH**, Hamburg (DE)
- (**) Term: **15 Years**
- (21) Appl. No.: **29/529,206**
- (22) Filed: **Jun. 4, 2015**
- (30) **Foreign Application Priority Data**
Dec. 5, 2014 (WO) 857436301
- (51) **LOC (10) Cl.** **19-06**
- (52) **U.S. Cl.**
USPC **D19/192**
- (58) **Field of Classification Search**
USPC D14/411; D19/115-204
CPC B43K 5/005; B43K 5/16; B43K 7/00;
B43K 7/10; B43K 7/12; B43K
8/02; B43K 8/022; B43K 8/024; B43K
8/04
See application file for complete search history.

- (56) **References Cited**
U.S. PATENT DOCUMENTS
1,244,974 A * 10/1917 Gerdom B43K 1/08
401/216
D113,633 S * 3/1939 Kahn D19/184
D121,406 S * 7/1940 Whitehouse D19/169
D150,320 S * 7/1948 Starr D19/168
2,457,217 A * 12/1948 Ernst B43K 27/08
401/172

- D162,213 S * 2/1951 Nelson et al. D19/168
- 2,640,297 A * 6/1953 Adams A63H 37/00
446/28
- D254,315 S * 2/1980 Carre D19/164
- D260,101 S * 8/1981 Gomez D19/168
- D261,009 S * 9/1981 Gomez D19/168
- 4,308,879 A * 1/1982 Thornbloom A45D 40/18
132/317
- D263,482 S * 3/1982 Carre D19/168
- D309,156 S * 7/1990 Kuwabara D19/115
- D329,461 S * 9/1992 Katami D19/168
- D377,193 S * 1/1997 Takemura D19/135
- 5,676,480 A * 10/1997 Tosto A45D 19/02
132/108
- D409,241 S * 5/1999 Melnick D19/164
- D545,898 S * 7/2007 Iwasaki D19/163
- D611,988 S * 3/2010 Huff D19/170
- D616,025 S * 5/2010 Yan D19/164

(Continued)

Primary Examiner — Elizabeth Albert
(74) *Attorney, Agent, or Firm* — Taft Stettinius & Hollister LLP

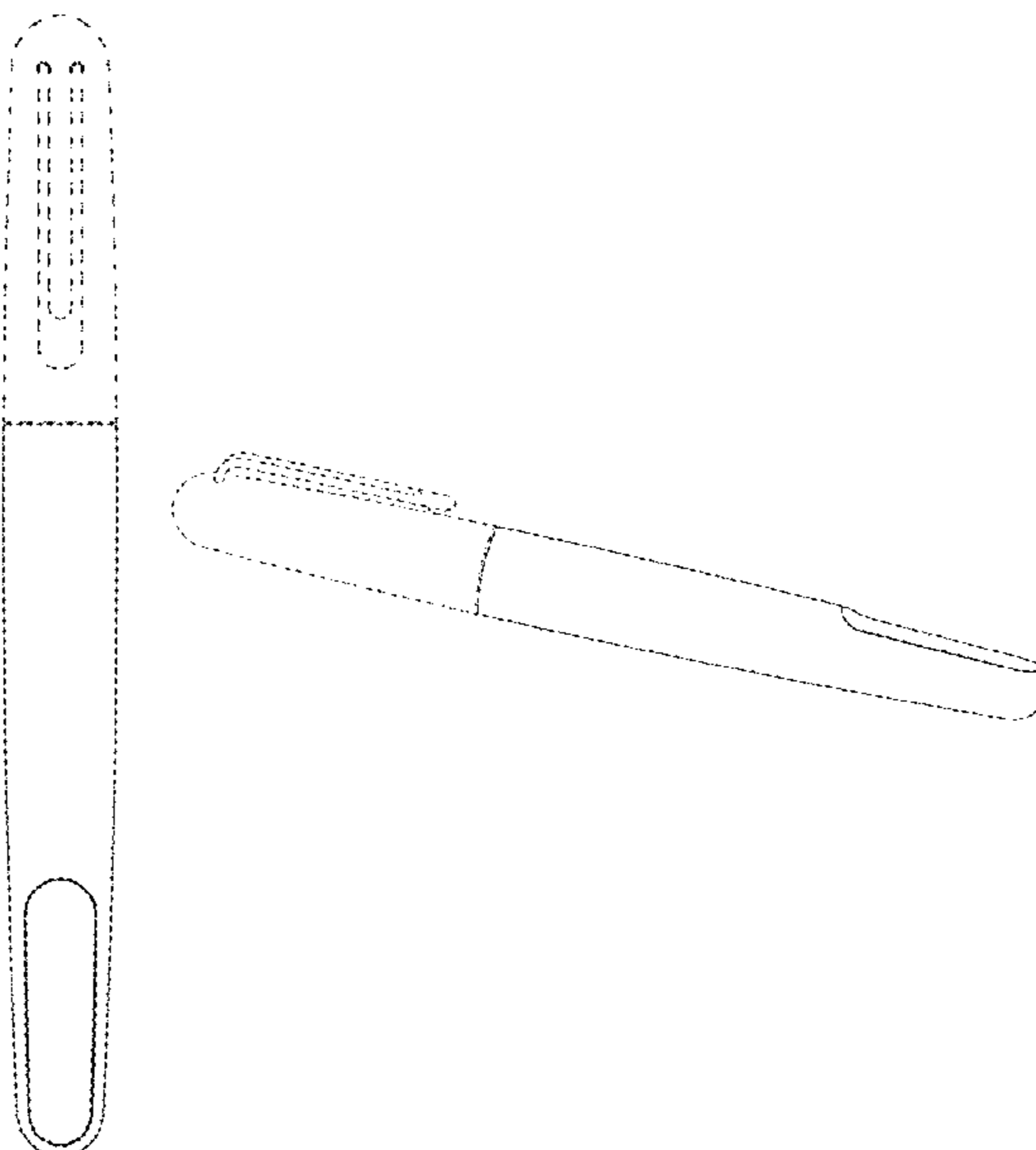
(57) **CLAIM**

The ornamental design for a pen, as shown and described.

DESCRIPTION

FIG. 1 is a front side view of a pen of the present invention. FIG. 2 is a rear side view of the pen of FIG. 1. FIG. 3 is a top view of the pen of FIG. 1. FIG. 4 is a bottom view of the pen of FIG. 1. FIG. 5 is a left side view of the pen of FIG. 1. FIG. 6 is a right side view of the pen of FIG. 1. FIG. 7 is a front left-side perspective view of the pen of FIG. 1; and, FIG. 8 is a front right-side perspective view of the pen of FIG. 1. The dashed lines shown in FIGS. 1-8 form no part of the claimed design.

1 Claim, 8 Drawing Sheets



(56)

References Cited

U.S. PATENT DOCUMENTS

D633,560 S	*	3/2011	Clivio	D19/167
D659,760 S	*	5/2012	Zhang	D19/168
D669,127 S	*	10/2012	Chen	D19/169
D682,936 S	*	5/2013	Larson	D19/169
D732,111 S	*	6/2015	Li	D19/164

* cited by examiner



Fig. 1

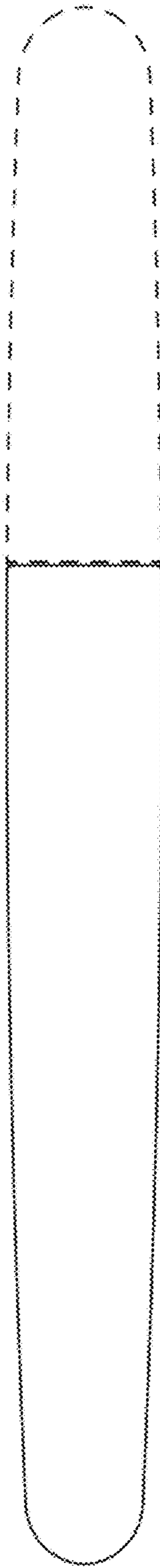


Fig. 2

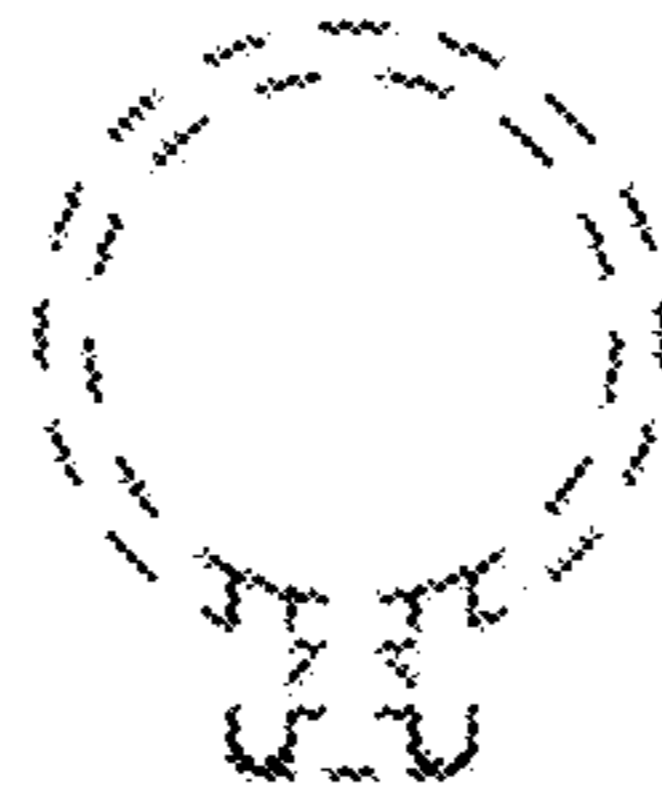


Fig. 3

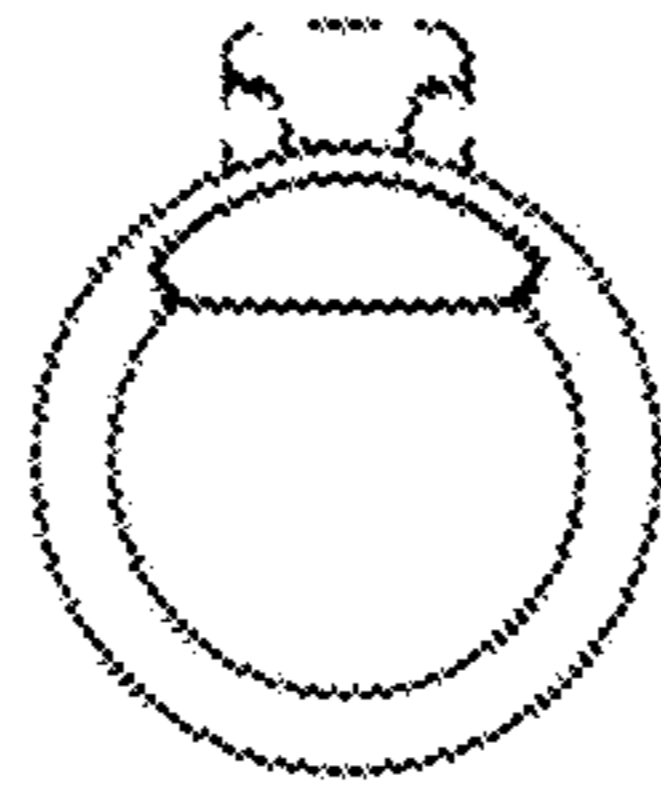


Fig. 4

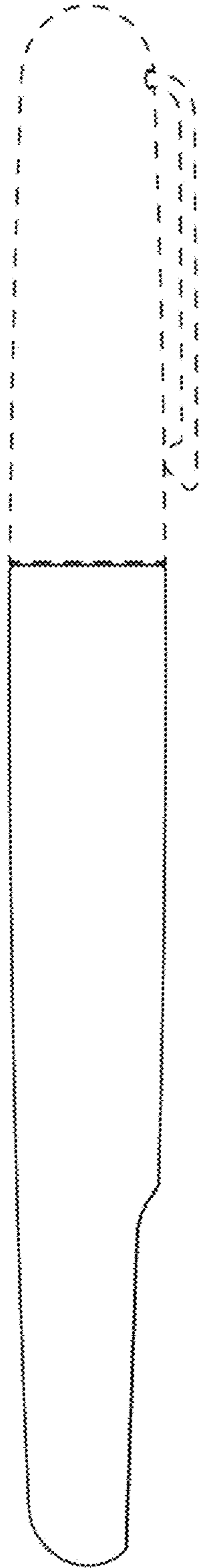


Fig. 5

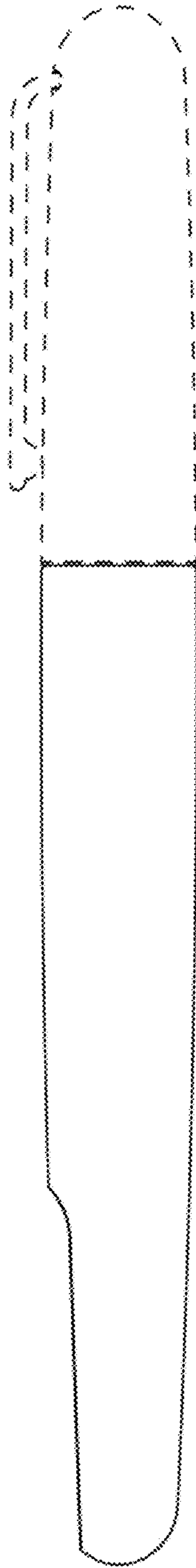


Fig. 6

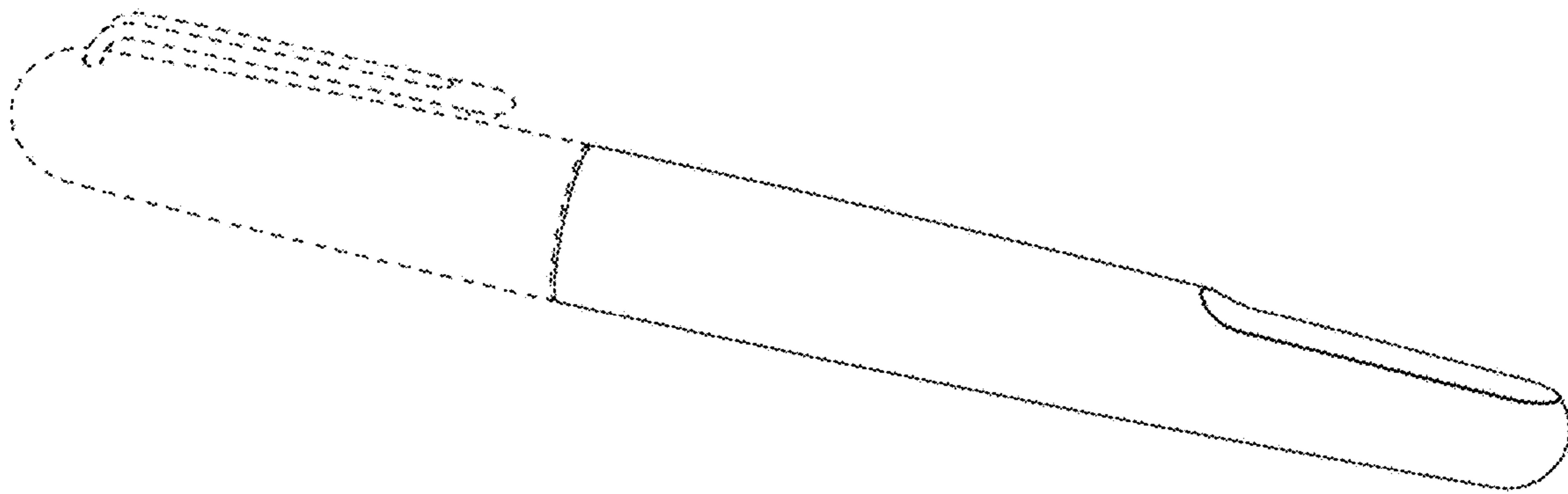


Fig. 7

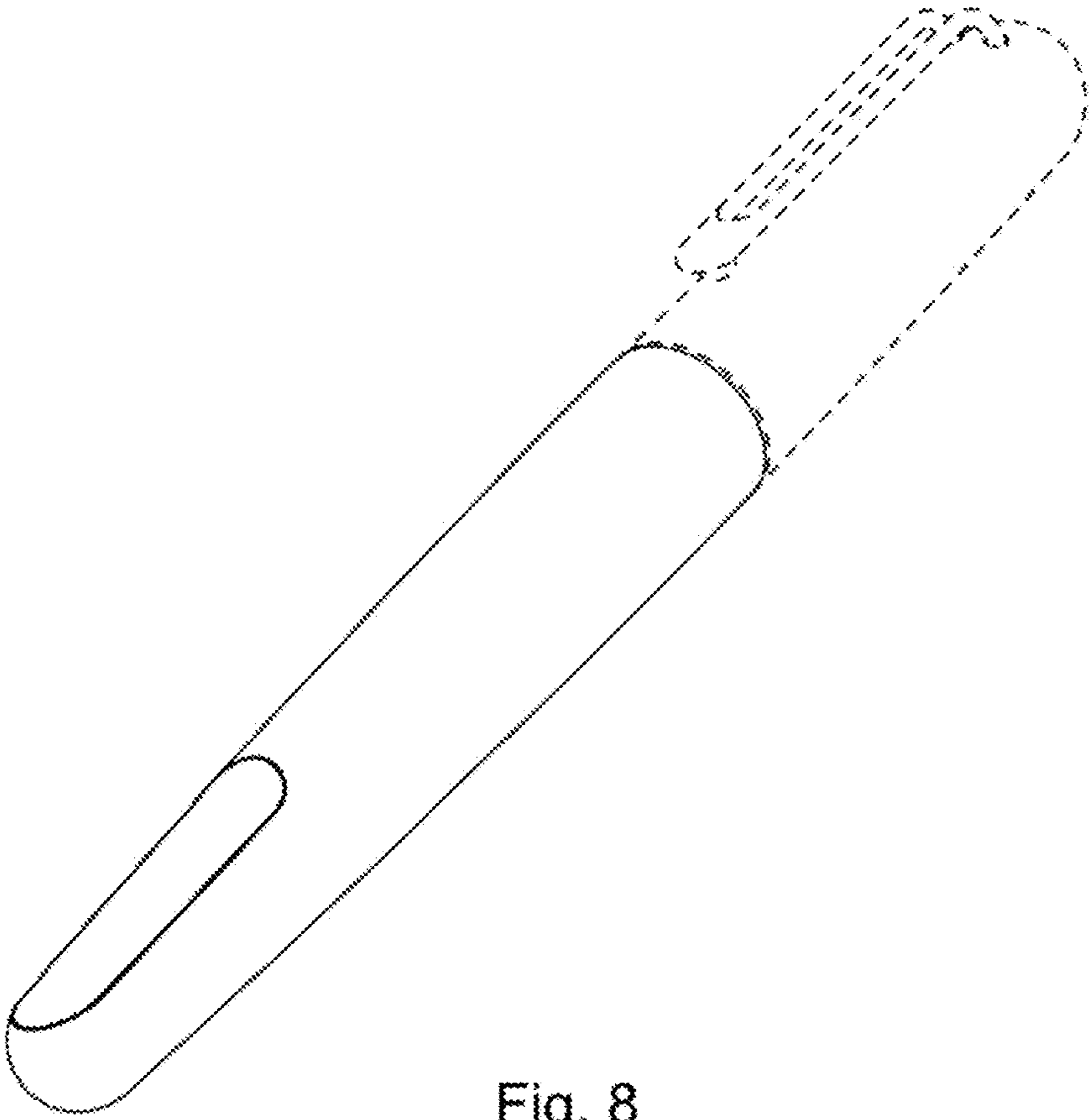


Fig. 8