



US00D774139S

(12) **United States Design Patent**  
**Newson**

(10) **Patent No.:** **US D774,139 S**

(45) **Date of Patent:** **\*\* Dec. 13, 2016**

- (54) **PEN**
- (71) Applicant: **Montblanc-Simplo GmbH**, Hamburg (DE)
- (72) Inventor: **Marc Andrew Newson**, London (GB)
- (73) Assignee: **Montblanc-Simplo GmbH**, Hamburg (DE)
- (\*\*) Term: **15 Years**
- (21) Appl. No.: **29/529,211**
- (22) Filed: **Jun. 4, 2015**
- (30) **Foreign Application Priority Data**

Dec. 5, 2014 (WO) ..... 857436301

- (51) **LOC (10) Cl.** ..... **19-06**
- (52) **U.S. Cl.**  
USPC ..... **D19/164**

- (58) **Field of Classification Search**  
USPC ..... D14/411; D19/115-204  
CPC ..... B43K 5/005; B43K 5/16; B43K 7/00;  
B43K 7/10; B43K 7/12; B43K  
8/02; B43K 8/022; B43K 8/024; B43K  
8/04  
See application file for complete search history.

- (56) **References Cited**  
U.S. PATENT DOCUMENTS

1,244,974 A \* 10/1917 Gerdom ..... B43K 1/08  
401/216  
D113,633 S \* 3/1939 Kahn ..... D19/184  
D121,406 S \* 7/1940 Whitehouse ..... D19/169  
D150,320 S \* 7/1948 Starr ..... D19/168  
2,457,217 A \* 12/1948 Ernst ..... B43K 27/08  
401/172

D162,213 S \* 2/1951 Nelson et al. .... D19/168  
2,640,297 A \* 6/1953 Adams ..... A63H 37/00  
446/28  
D234,471 S \* 3/1975 Carre ..... D19/168  
D254,315 S \* 2/1980 Carre ..... D19/164  
D260,101 S \* 8/1981 Gomez ..... D19/168  
D261,009 S \* 9/1981 Gomez ..... D19/168  
4,308,879 A \* 1/1982 Thornbloom ..... A45D 40/18  
132/317  
D263,482 S \* 3/1982 Carre ..... D19/168  
D309,156 S \* 7/1990 Kuwabara ..... D19/115  
D329,461 S \* 9/1992 Katami ..... D19/168  
D377,193 S \* 1/1997 Takemura ..... D19/135  
5,676,480 A \* 10/1997 Tosto ..... A45D 19/02  
132/108  
D403,706 S \* 1/1999 Fukami ..... D19/170  
D408,448 S \* 4/1999 Rebien ..... D19/170  
D409,241 S \* 5/1999 Melnick ..... D19/164  
D545,898 S \* 7/2007 Iwasaki ..... D19/163  
D555,726 S \* 11/2007 Huff ..... D19/166

(Continued)

Primary Examiner — Elizabeth Albert

(74) Attorney, Agent, or Firm — Taft Stettinius & Hollister LLP

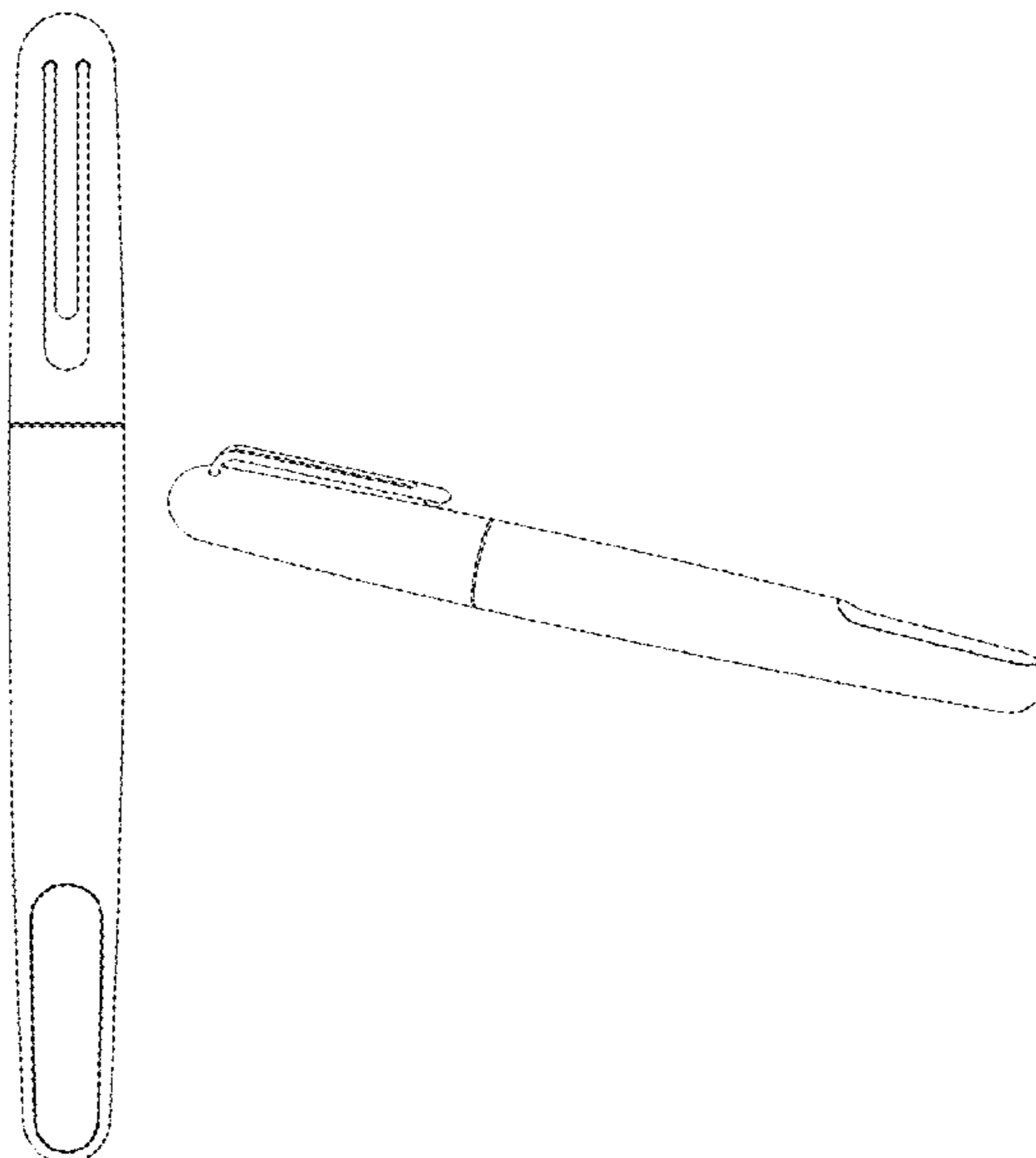
(57) **CLAIM**

The ornamental design for a pen, as shown and described.

**DESCRIPTION**

FIG. 1 is a front side view of a pen of the present invention.  
FIG. 2 is a rear side view of the pen of FIG. 1.  
FIG. 3 is a top view of the pen of FIG. 1.  
FIG. 4 is a bottom view of the pen of FIG. 1.  
FIG. 5 is a left side view of the pen of FIG. 1.  
FIG. 6 is a right side view of the pen of FIG. 1.  
FIG. 7 is a front left-side perspective view of the pen of FIG. 1; and,  
FIG. 8 is a front right-side perspective view of the pen of FIG. 1.

**1 Claim, 8 Drawing Sheets**



(56)

**References Cited**

U.S. PATENT DOCUMENTS

D611,988 S *	3/2010	Huff .....	D19/170
D616,025 S *	5/2010	Yan .....	D19/164
D633,560 S *	3/2011	Clivio .....	D19/167
D659,760 S *	5/2012	Zhang .....	D19/168
D669,127 S *	10/2012	Chen .....	D19/169
D682,936 S *	5/2013	Larson .....	D19/169
D732,111 S *	6/2015	Li .....	D19/164

\* cited by examiner

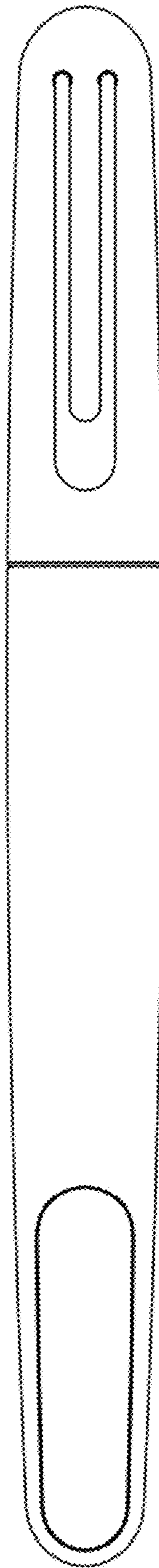


Fig. 1



Fig. 2

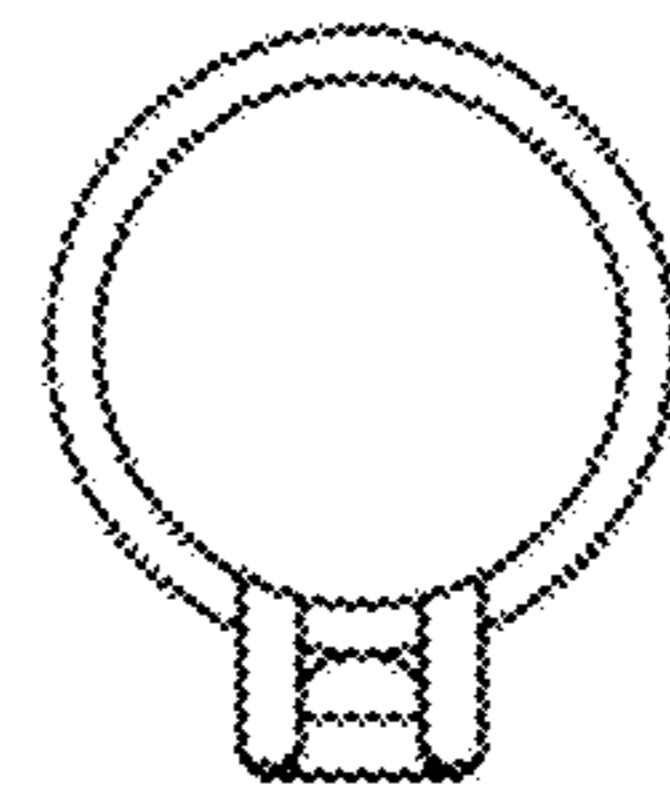


Fig. 3

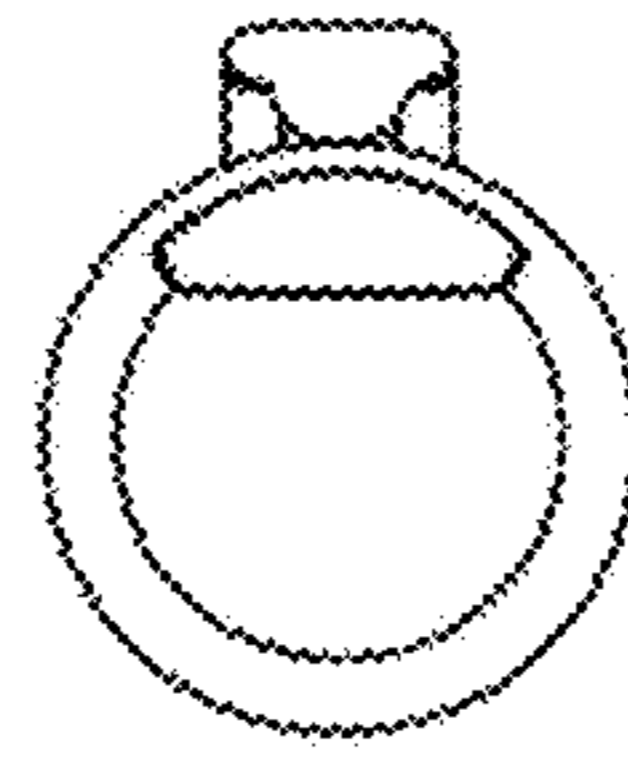


Fig. 4

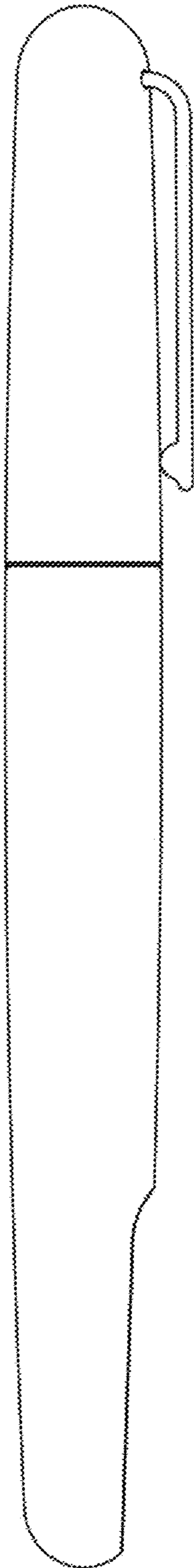


Fig. 5

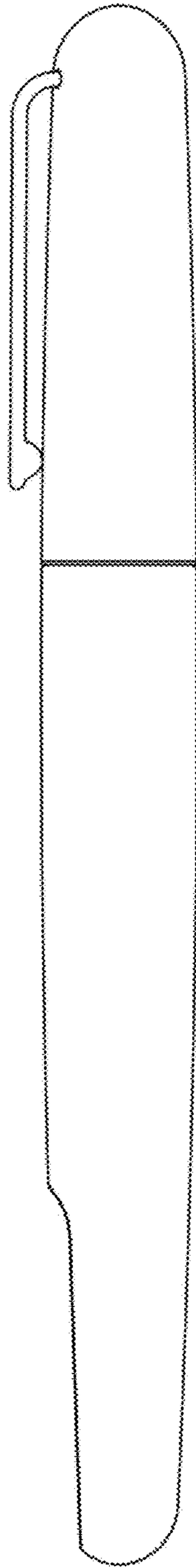


Fig. 6



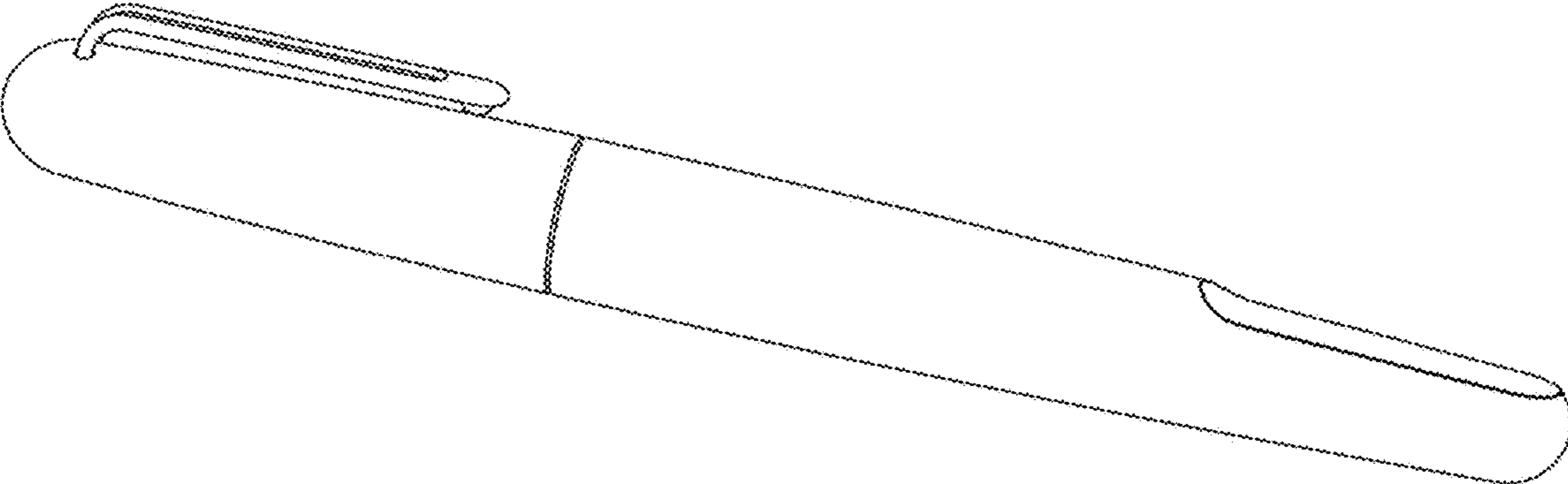


Fig. 7

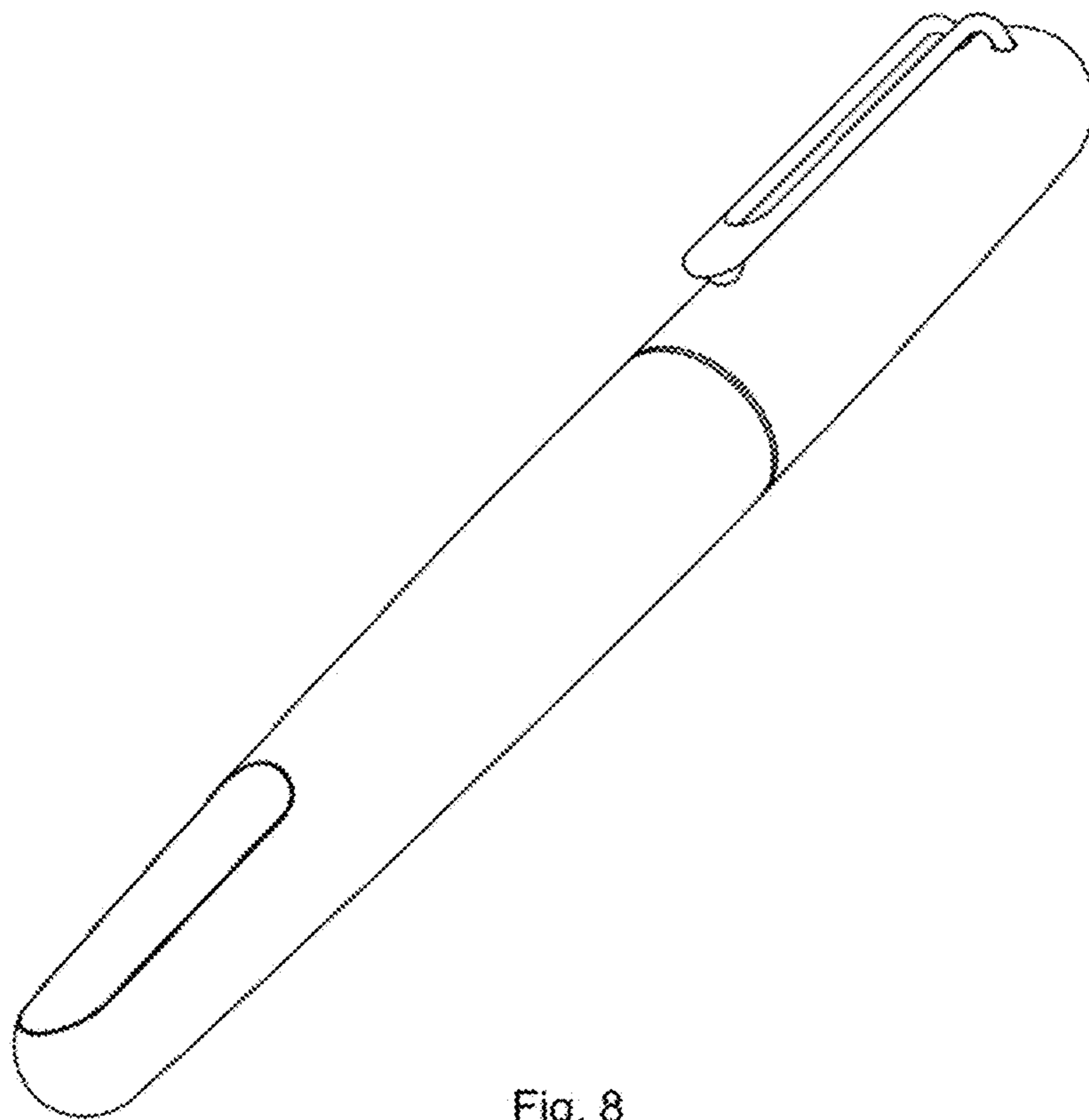


Fig. 8