



US00D774131S

(12) **United States Design Patent**
Oropallo et al.

(10) **Patent No.:** **US D774,131 S**
(45) **Date of Patent:** **** Dec. 13, 2016**

(54) **POSTCARD**

(71) Applicant: **Peel Back N See LLC**, Southington, CT (US)
(72) Inventors: **Anthony Oropallo**, Southington, CT (US); **Dana Rickard**, Southington, CT (US)
(73) Assignee: **PEEL BACK N SEE LLC**, Southington, CT (US)

(**) Term: **15 Years**

(21) Appl. No.: **29/531,318**

(22) Filed: **Jun. 25, 2015**

(51) **LOC (10) Cl.** **19-01**

(52) **U.S. Cl.**
USPC **D19/1**

(58) **Field of Classification Search**

USPC D19/1-12, 20-34, 75, 99-100; D20/11, D20/22-29, 99; 229/74, 67.4, 928, 307, 229/92.1, 68.1, 92.7, 300, 92; 281/2, 38, 281/51, 15.1; 283/39, 41, 56, 74-75, 81, 283/45, 2-4, 103, 105-106; 206/45.23; 235/380-382; 248/459-460; 434/162, 434/165; 446/147; 40/124.01-124.15, 40/119, 299.01, 359-360, 672, 599, 331, 40/625; 428/42.1

(Continued)

(56) **References Cited**

U.S. PATENT DOCUMENTS

4,817,989 A 4/1989 Pendergast
4,865,247 A 9/1989 Grabner

(Continued)

Primary Examiner — Abraham Bahta

(74) *Attorney, Agent, or Firm* — Cantor Colburn LLP

(57) **CLAIM**

The ornamental design for a postcard, as shown and described.

DESCRIPTION

FIG. 1 is a perspective view of a postcard in a partially peeled configuration, showing our new design;

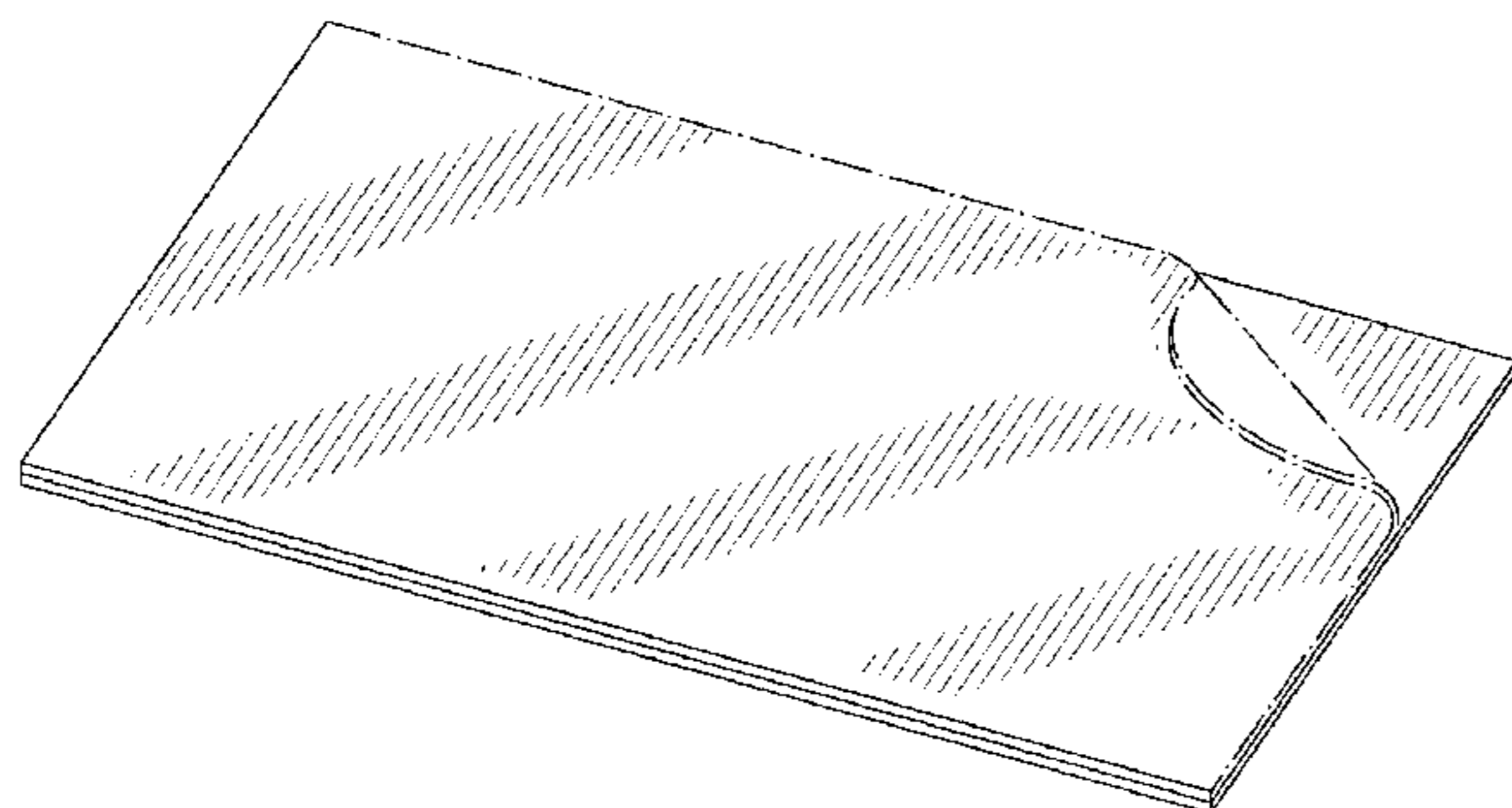


FIG. 2 is a perspective view thereof in an un-peeled configuration;

FIG. 3 is a top plan view thereof;

FIG. 4 is a bottom plan view thereof;

FIG. 5 is a left elevation view thereof;

FIG. 6 is a right elevation view thereof;

FIG. 7 is a front elevation view thereof;

FIG. 8 is a rear elevation view thereof;

FIG. 9 is a perspective view of a second embodiment of the postcard in a partially peeled configuration;

FIG. 10 is a perspective view of the embodiment of FIG. 9 in an un-peeled configuration;

FIG. 11 is a top plan view of the embodiment of FIG. 10;

FIG. 12 is a bottom plan view of the embodiment of FIG. 10;

FIG. 13 is a left elevation view of the embodiment of FIG. 10;

FIG. 14 is a right elevation view of the embodiment of FIG. 10;

FIG. 15 is a front elevation view of the embodiment of FIG. 10;

FIG. 16 is a rear elevation view of the embodiment of FIG. 10;

FIG. 17 is a perspective view of a third embodiment of the postcard in a partially peeled configuration;

FIG. 18 is a perspective view of the embodiment of FIG. 17 in an un-peeled configuration;

FIG. 19 is a top plan view of the embodiment of FIG. 18;

FIG. 20 is a bottom plan view of the embodiment of FIG. 18;

FIG. 21 is a left elevation view of the embodiment of FIG. 18;

FIG. 22 is a right elevation view of the embodiment of FIG. 18;

FIG. 23 is a front elevation view of the embodiment of FIG. 18;

FIG. 24 is a rear elevation view of the embodiment of FIG. 18;

FIG. 25 is a perspective view of a fourth embodiment of the postcard in a partially peeled configuration;

FIG. 26 is a perspective view of the embodiment of FIG. 25 in an un-peeled configuration;

FIG. 27 is a top plan view of the embodiment of FIG. 26;

FIG. 28 is a bottom plan view of the embodiment of FIG. 26;

(Continued)

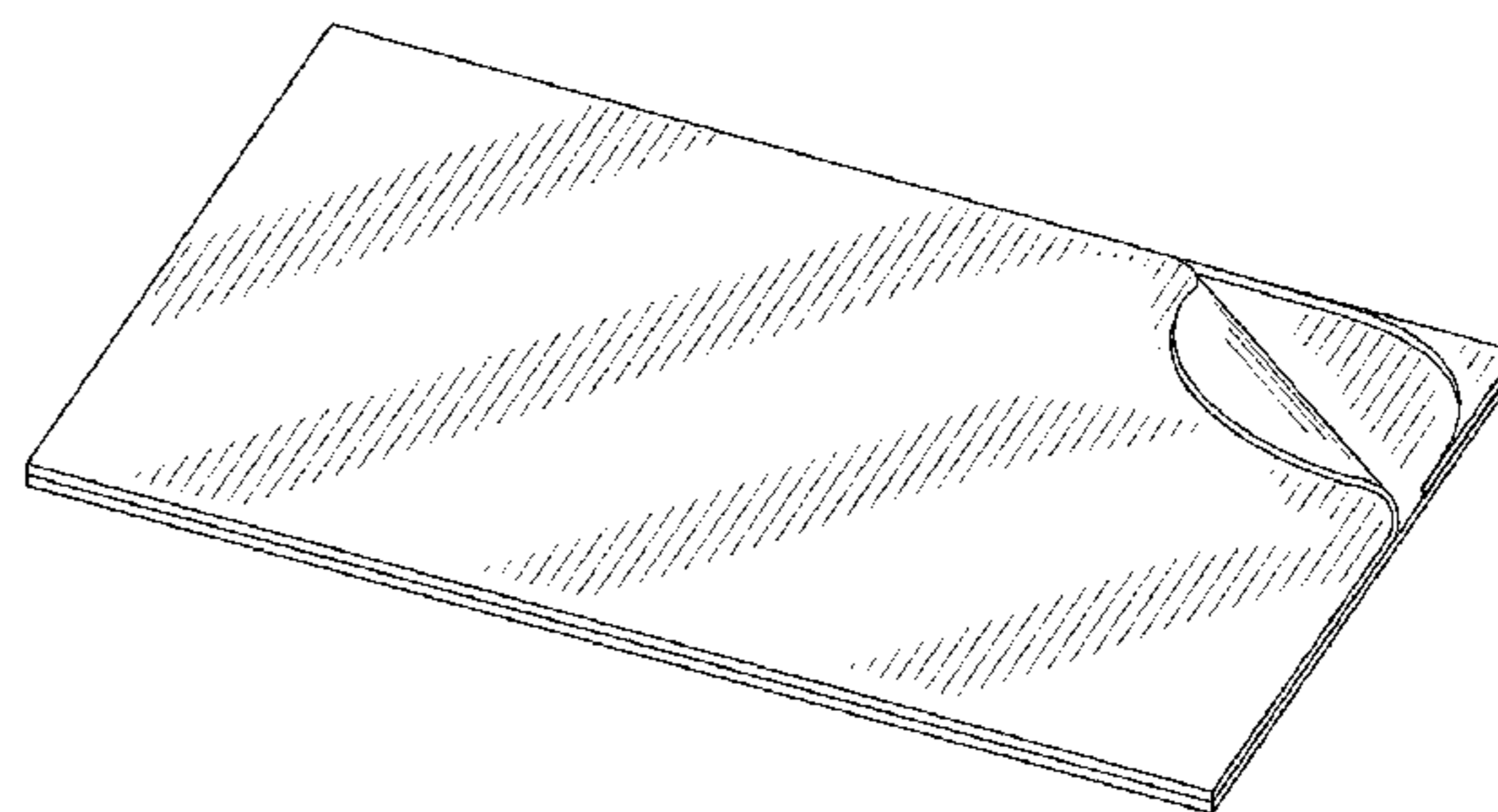


FIG. 29 is a left elevation view of the embodiment of FIG. 26;
FIG. 30 is a right elevation view of the embodiment of FIG. 26;
FIG. 31 is a front elevation view of the embodiment of FIG. 26;
FIG. 32 is a rear elevation view of the embodiment of FIG. 26;
FIG. 33 is a perspective view of a fifth embodiment of the postcard in a partially peeled configuration;
FIG. 34 is a perspective view of the embodiment of FIG. 33 in an un-peeled configuration;
FIG. 35 is a top plan view of the embodiment of FIG. 34;
FIG. 36 is a bottom plan view of the embodiment of FIG. 34;
FIG. 37 is a left elevation view of the embodiment of FIG. 34;
FIG. 38 is a right elevation view of the embodiment of FIG. 34;
FIG. 39 is a front elevation view of the embodiment of FIG. 34; and,
FIG. 40 is a rear elevation view of the embodiment of FIG. 34.
The dash-dot-lines shown in FIGS. 1-3, 6, 7, 17-19, 21, 33-35, 37 and 39 indicate that the edge of the postcard has no specific length and width.
The phantom lines shown in FIGS. 1-40 show surface contour and are environmental and are not part of the claimed design.

1 Claim, 15 Drawing Sheets

(58) **Field of Classification Search**

CPC B65D 27/00; A45C 11/00; B42D 15/022;
B42D 15/045; B42D 15/042; B42D
15/027; B42D 5/00; B42D 5/001; B42D
5/003; B42D 5/02; B42D 5/04; B42D
25/00; B42D 25/20; B42D 25/30; B42D
25/40; B42D 25/23; B42D 25/26; B42D
25/29; B42D 2033/00; B42D
2033/12; B42D 2033/42

See application file for complete search history.

(56)

References Cited

U.S. PATENT DOCUMENTS

D319,259 S	8/1991	Weir	
D368,276 S	3/1996	Buzby	
D374,035 S	9/1996	Nielsen et al.	
D43,060 S	9/2000	Fabel	
D430,604 S	9/2000	Fabel	
6,152,357 A	11/2000	Schnitzer	
6,481,125 B1	11/2002	Pokrasoff	
D495,736 S	9/2004	Scharf	
D638,469 S	5/2011	Bertinetti	
D725,700 S	3/2015	Bridges	
D749,673 S *	2/2016	Oropallo D19/1

* cited by examiner

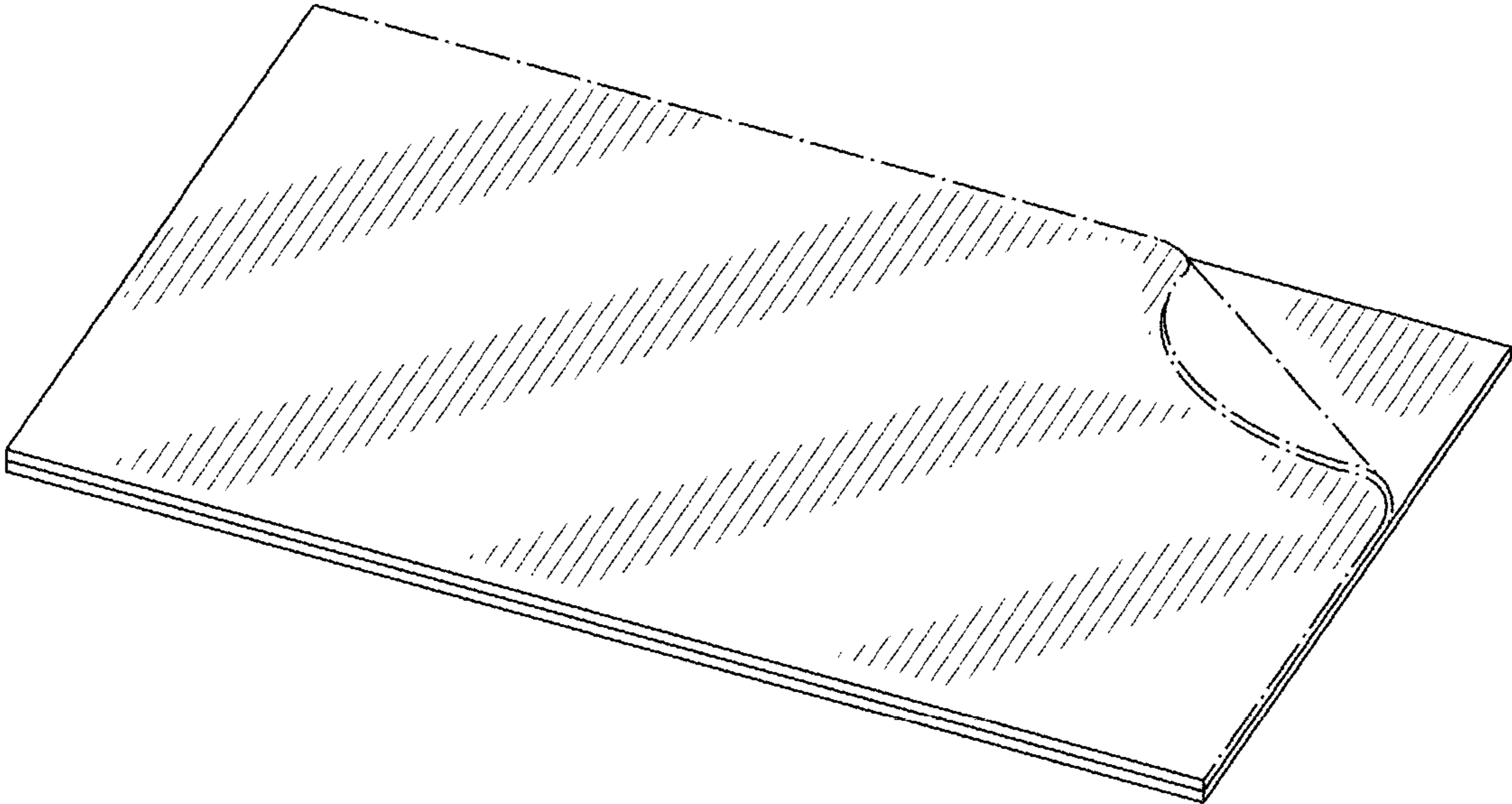


FIG. 1

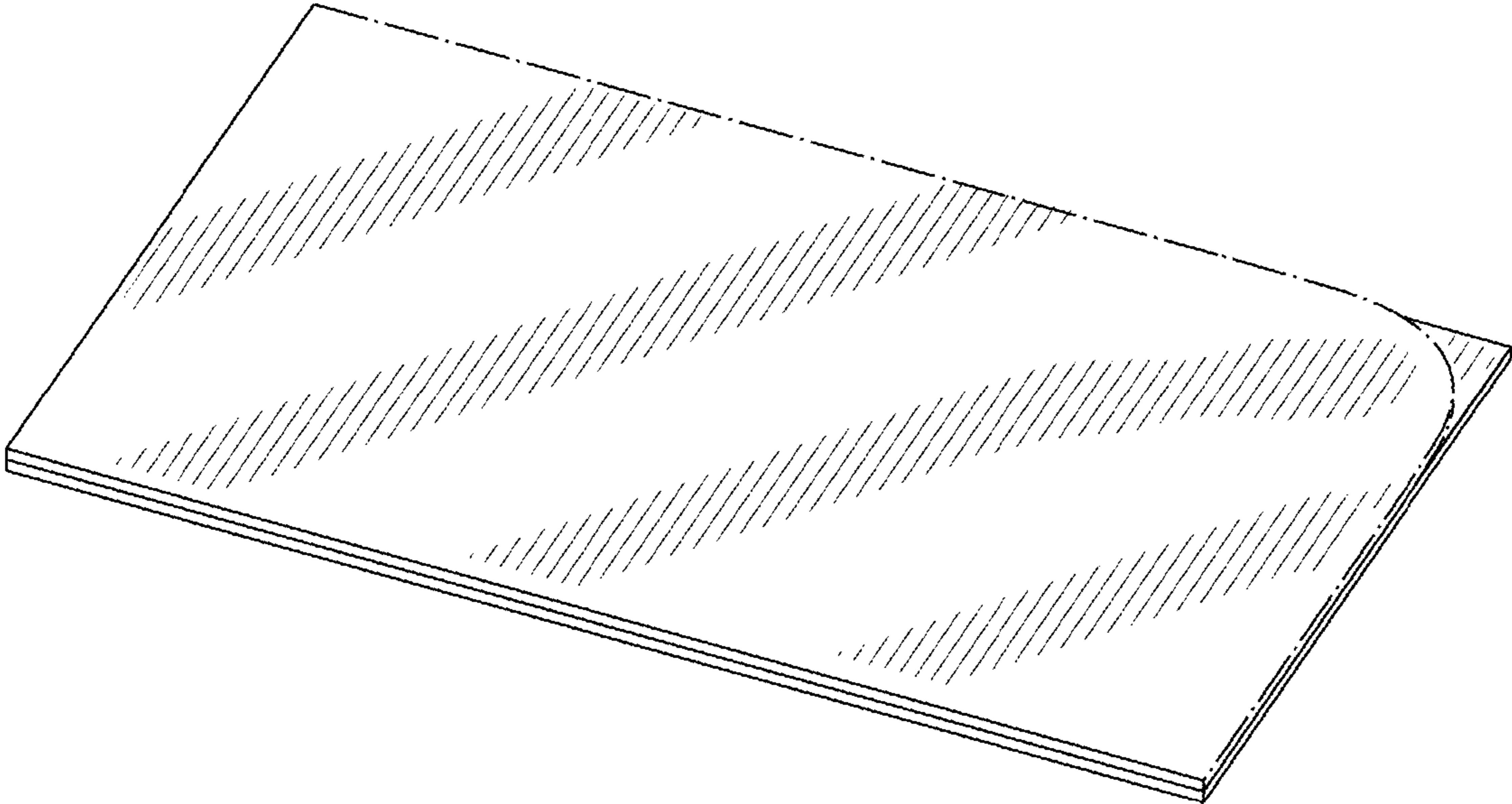


FIG. 2

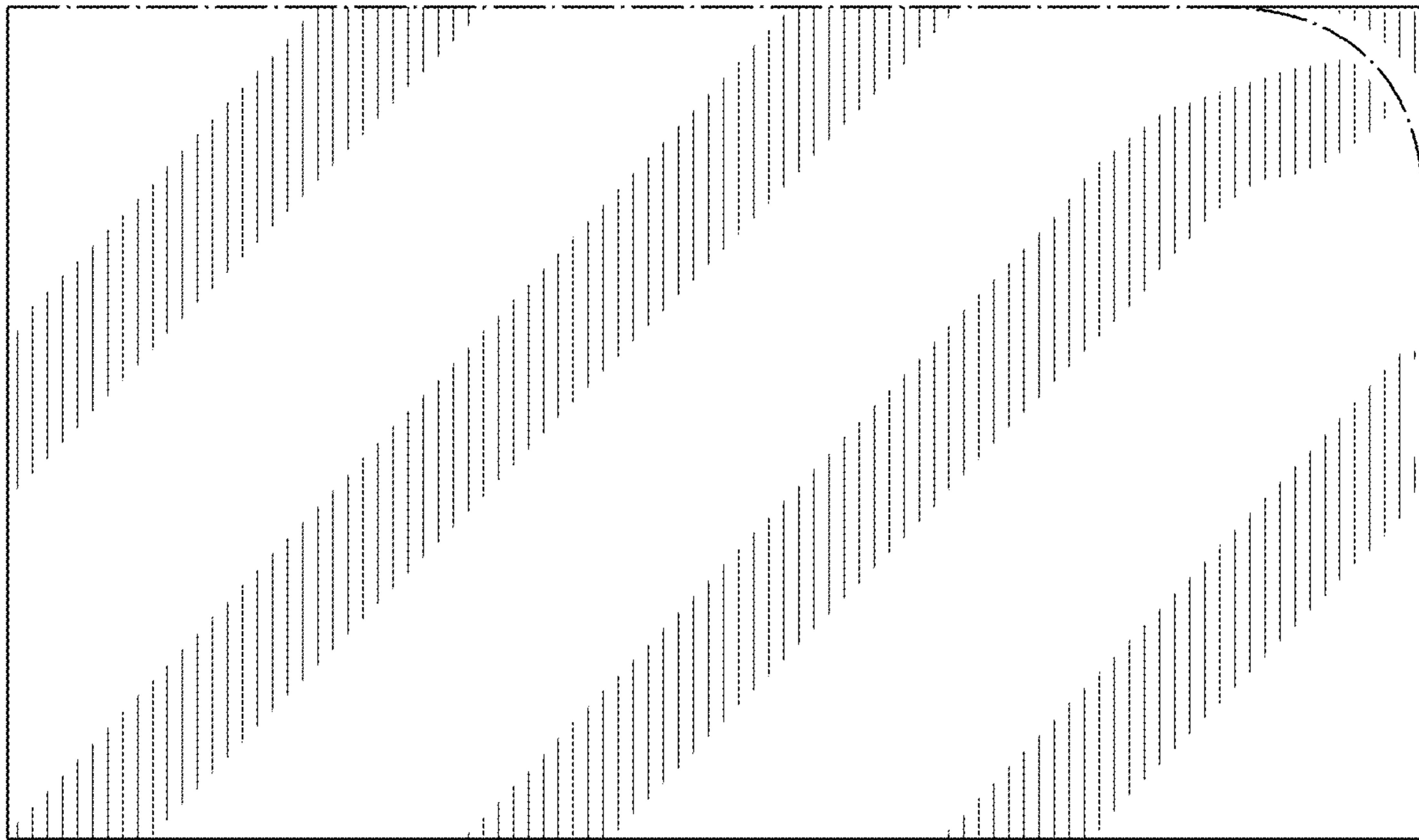


FIG. 3

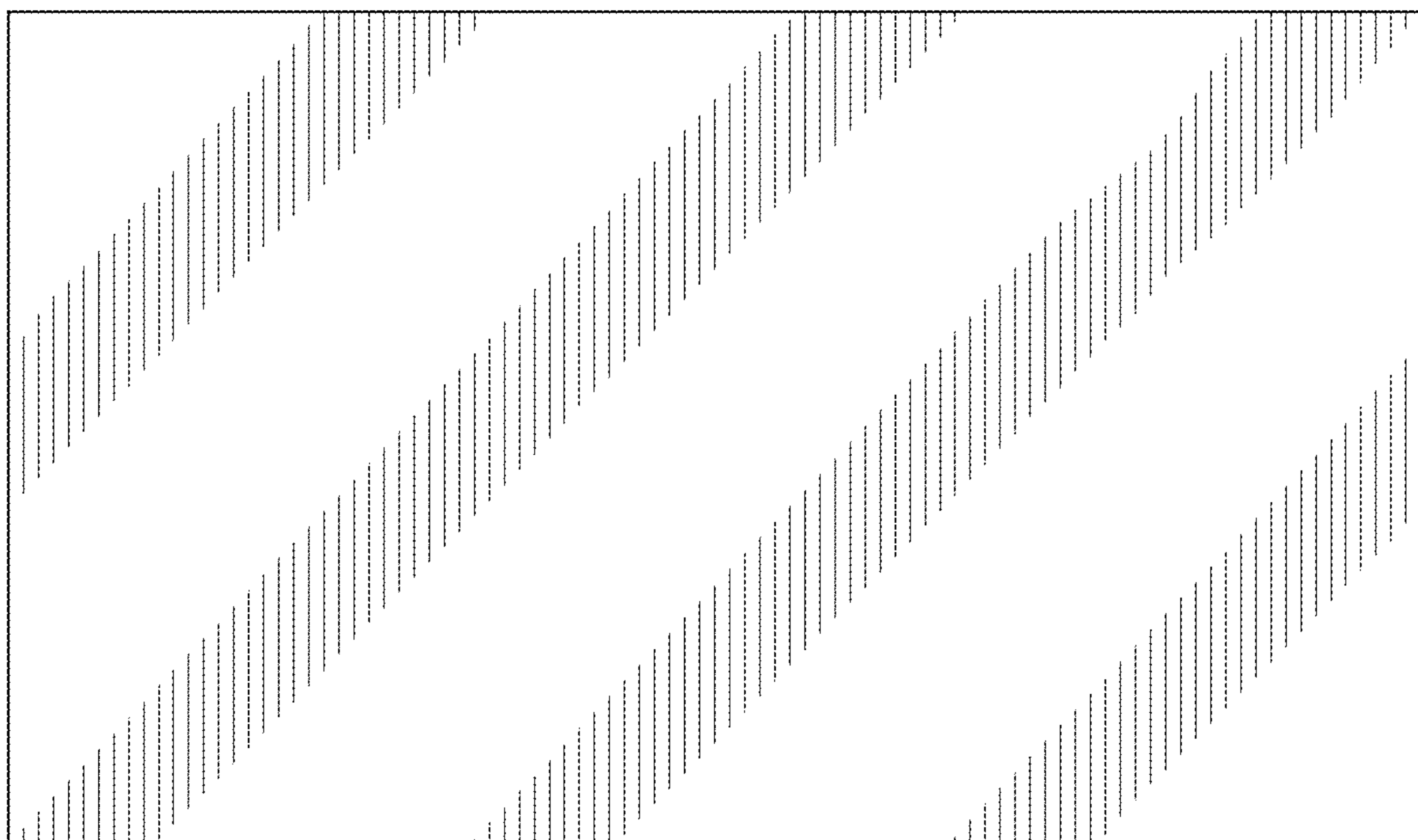


FIG. 4



FIG. 5

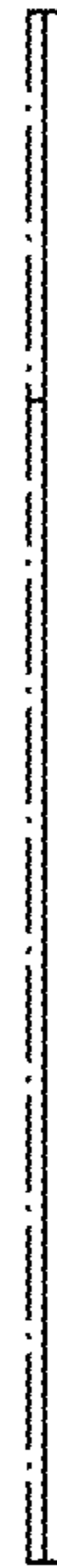


FIG. 6

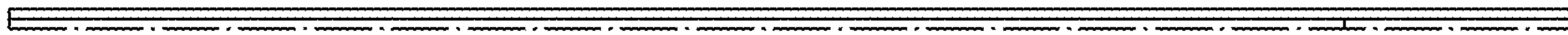


FIG. 7

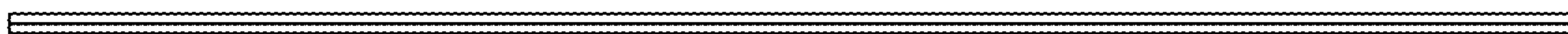


FIG. 8

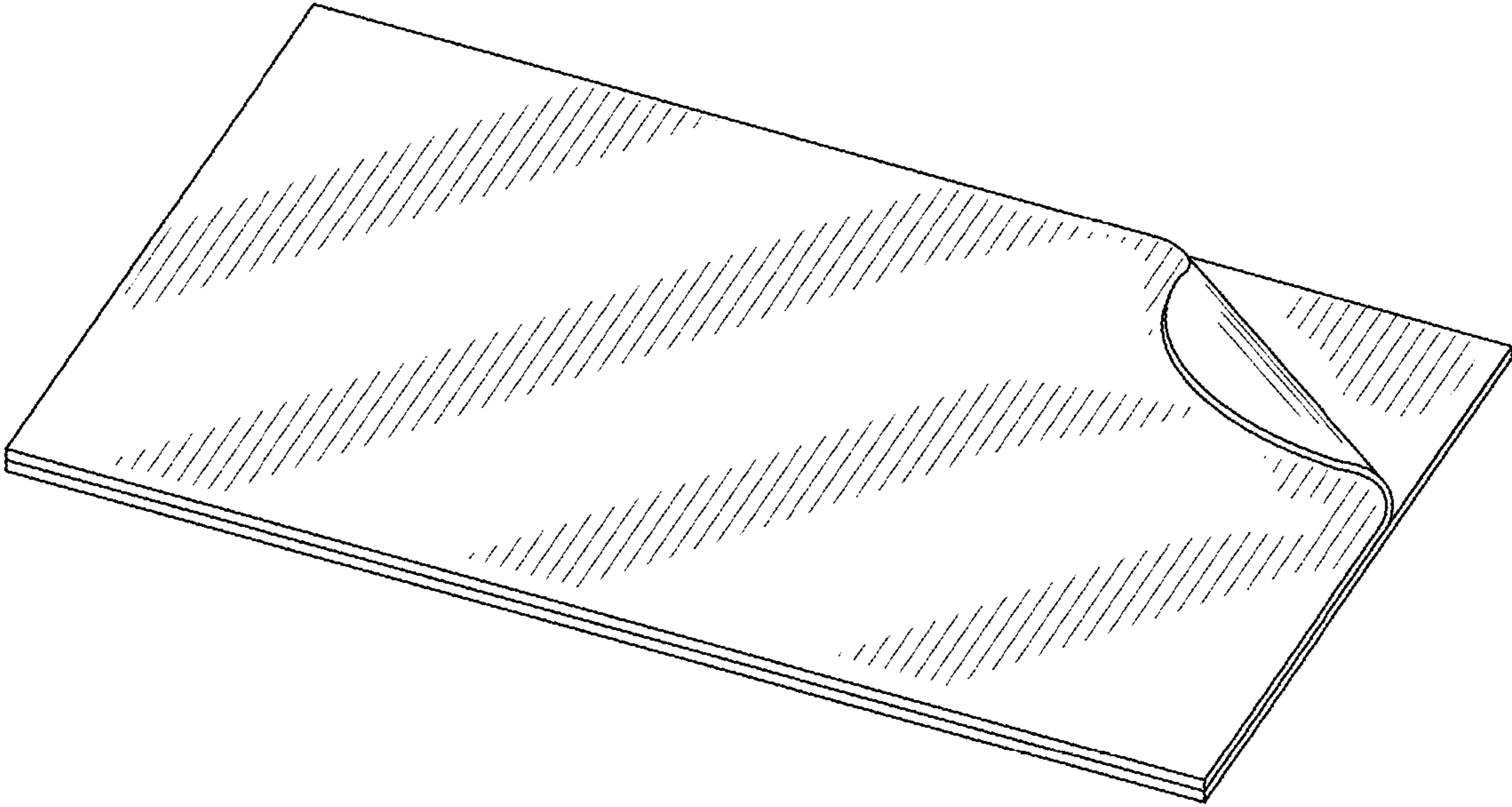


FIG. 9

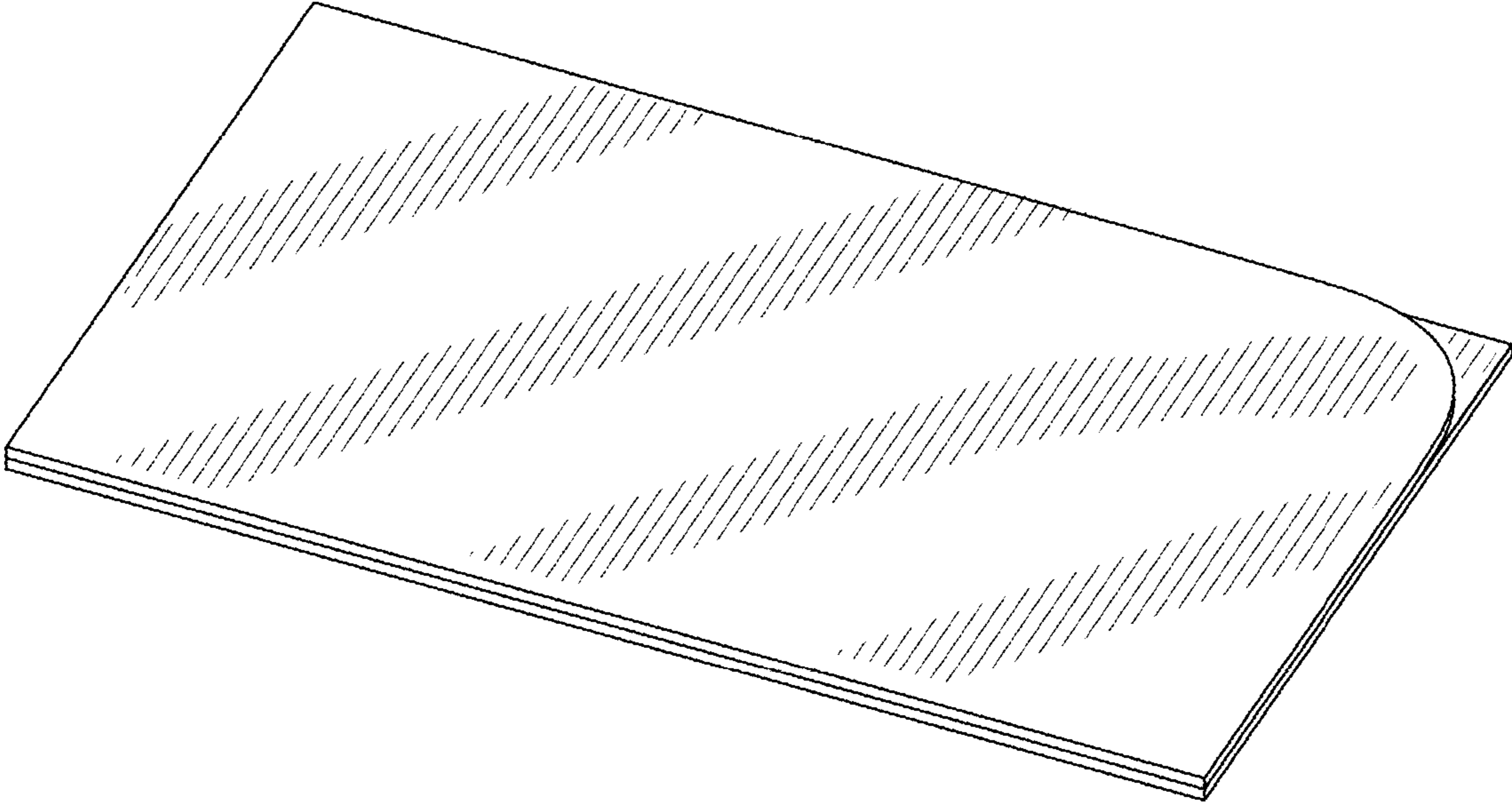


FIG. 10

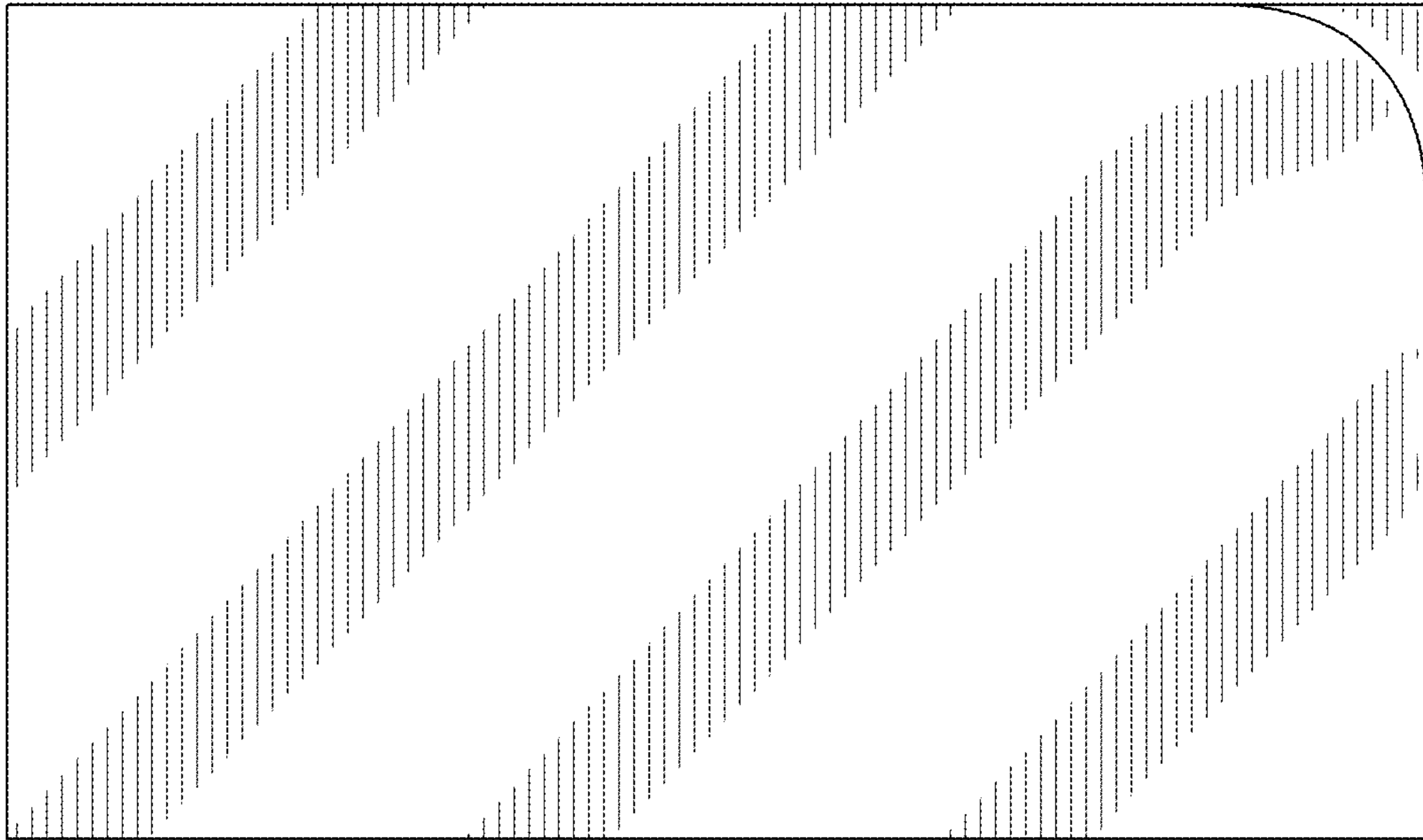


FIG. 11

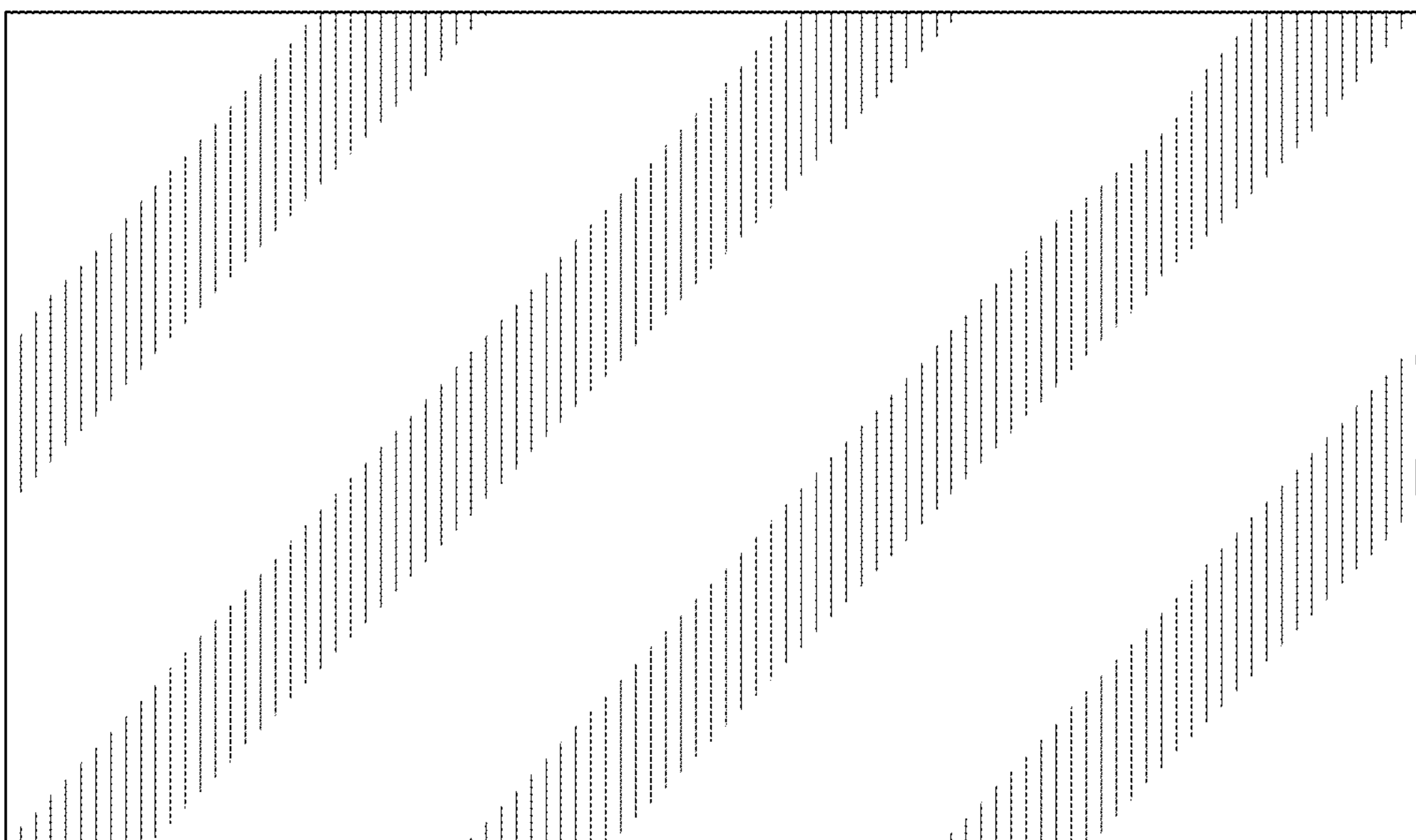


FIG. 12



FIG. 13



FIG. 14



FIG. 15

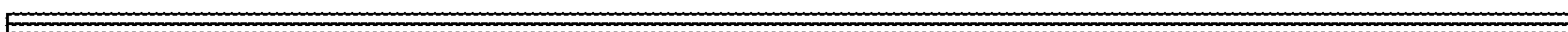


FIG. 16

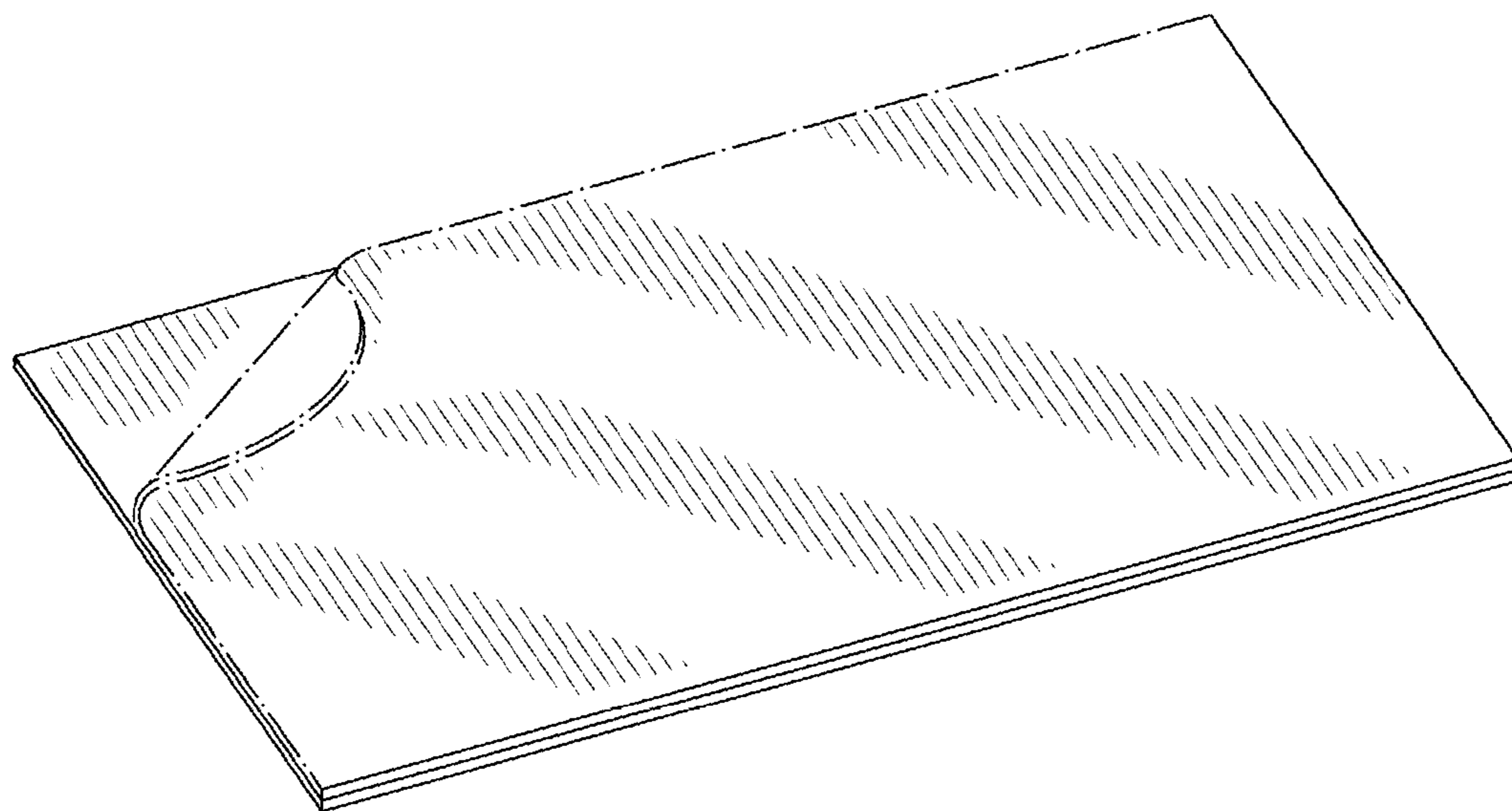


FIG. 17

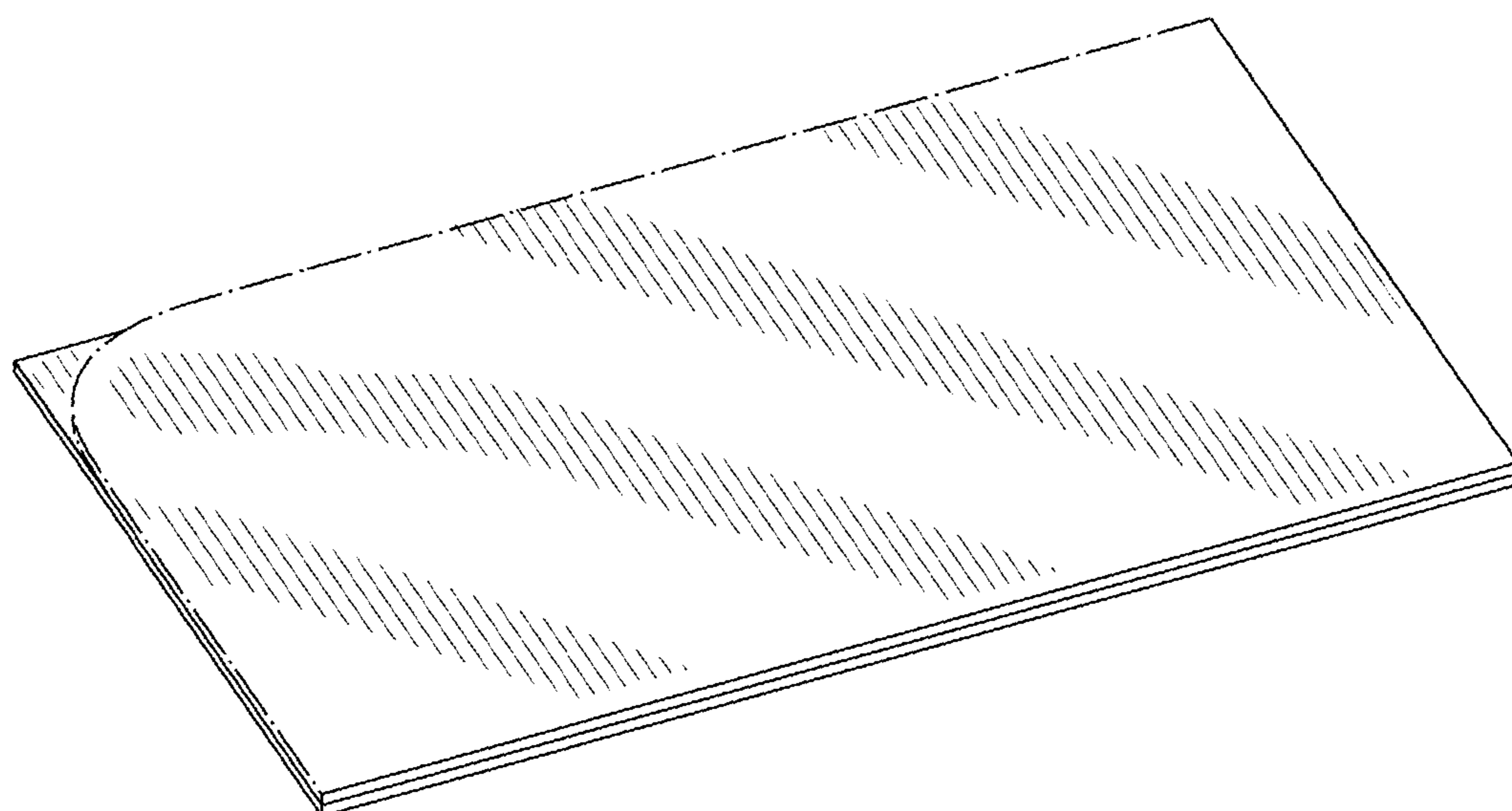


FIG. 18

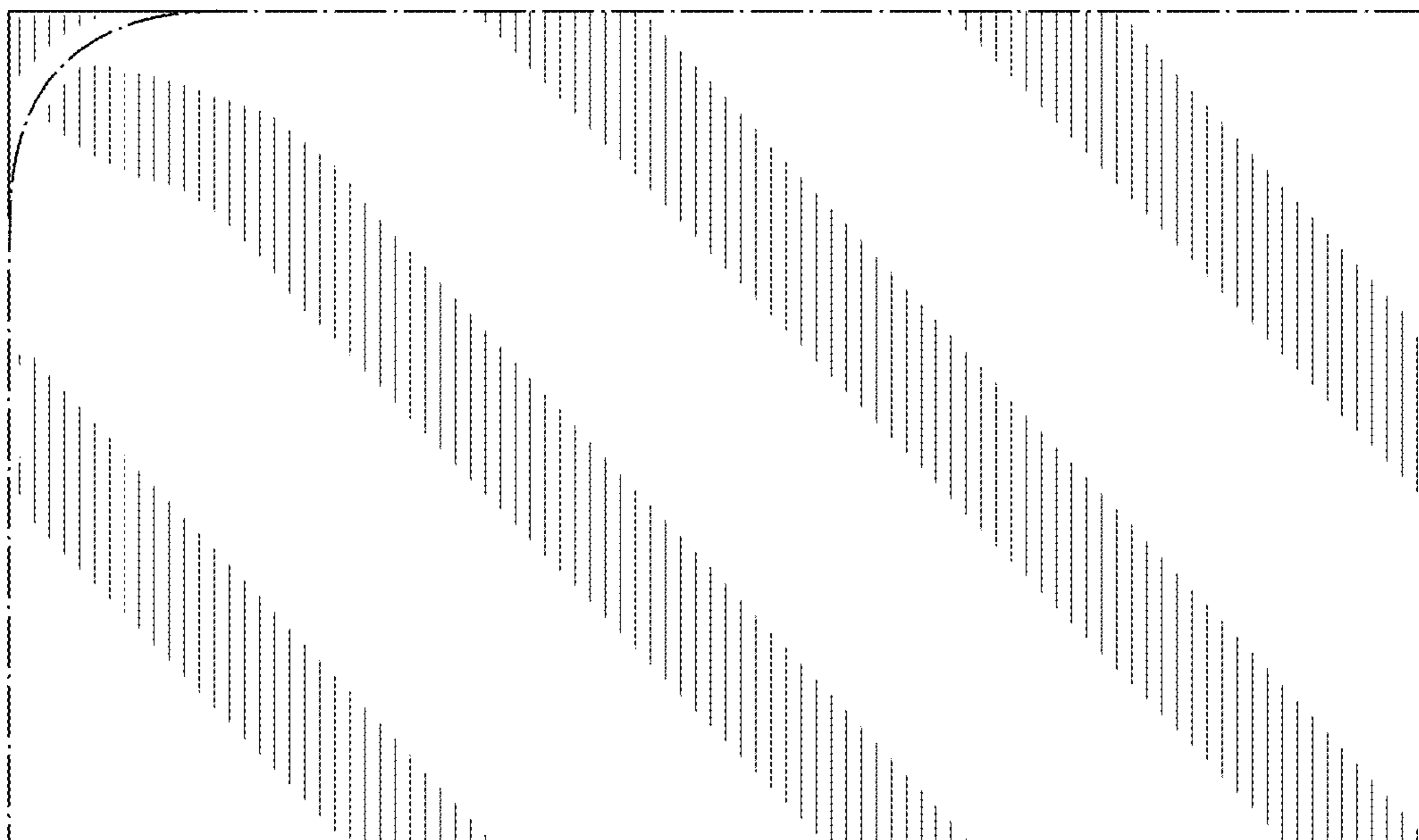


FIG. 19

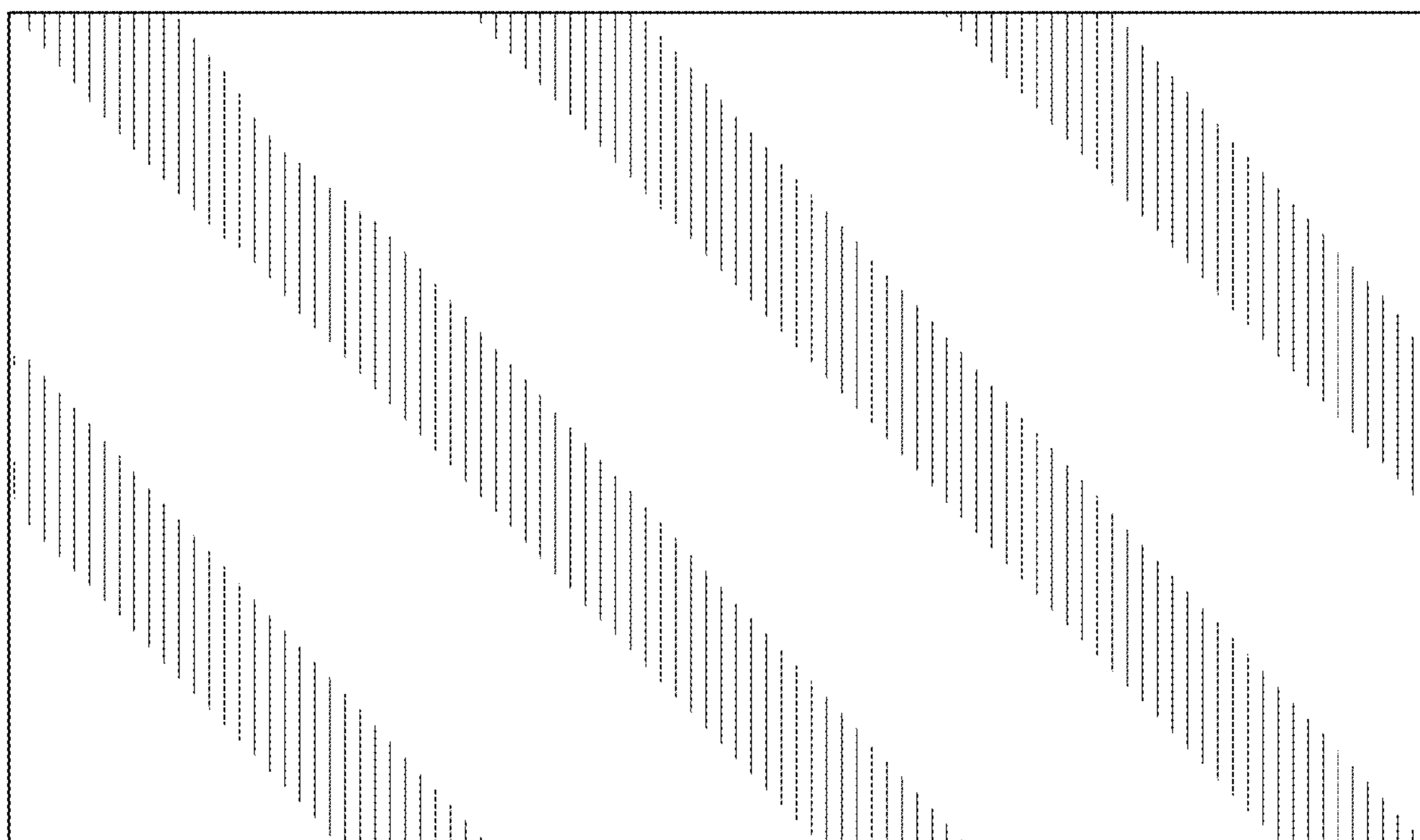


FIG. 20



FIG. 21



FIG. 22

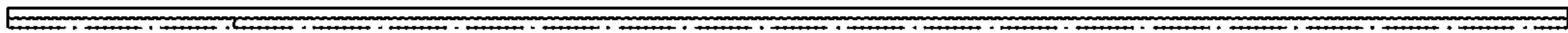


FIG. 23

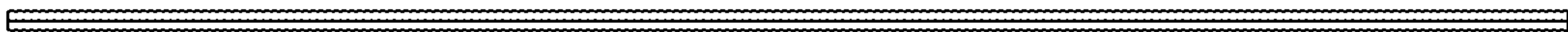


FIG. 24

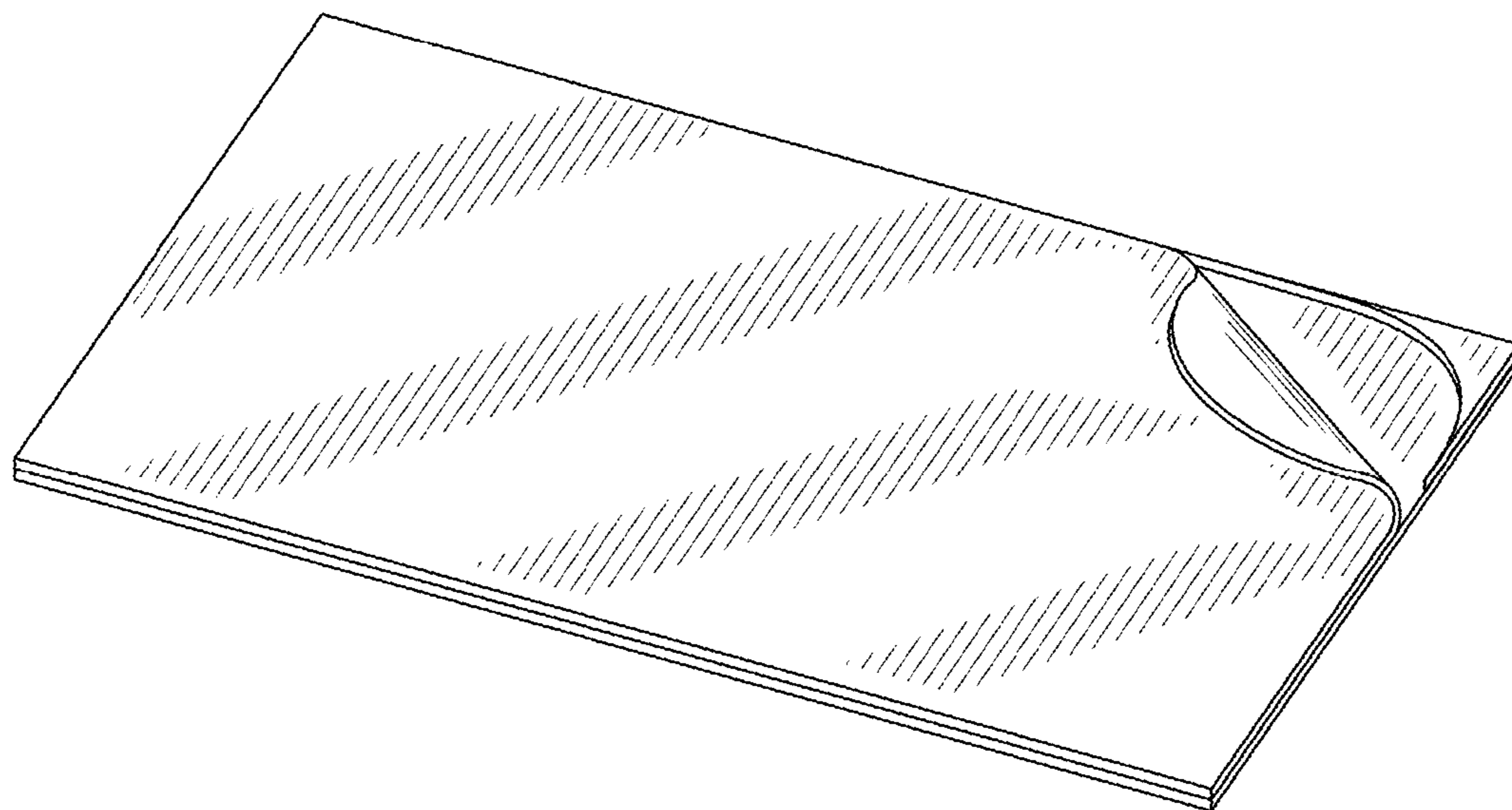


FIG. 25

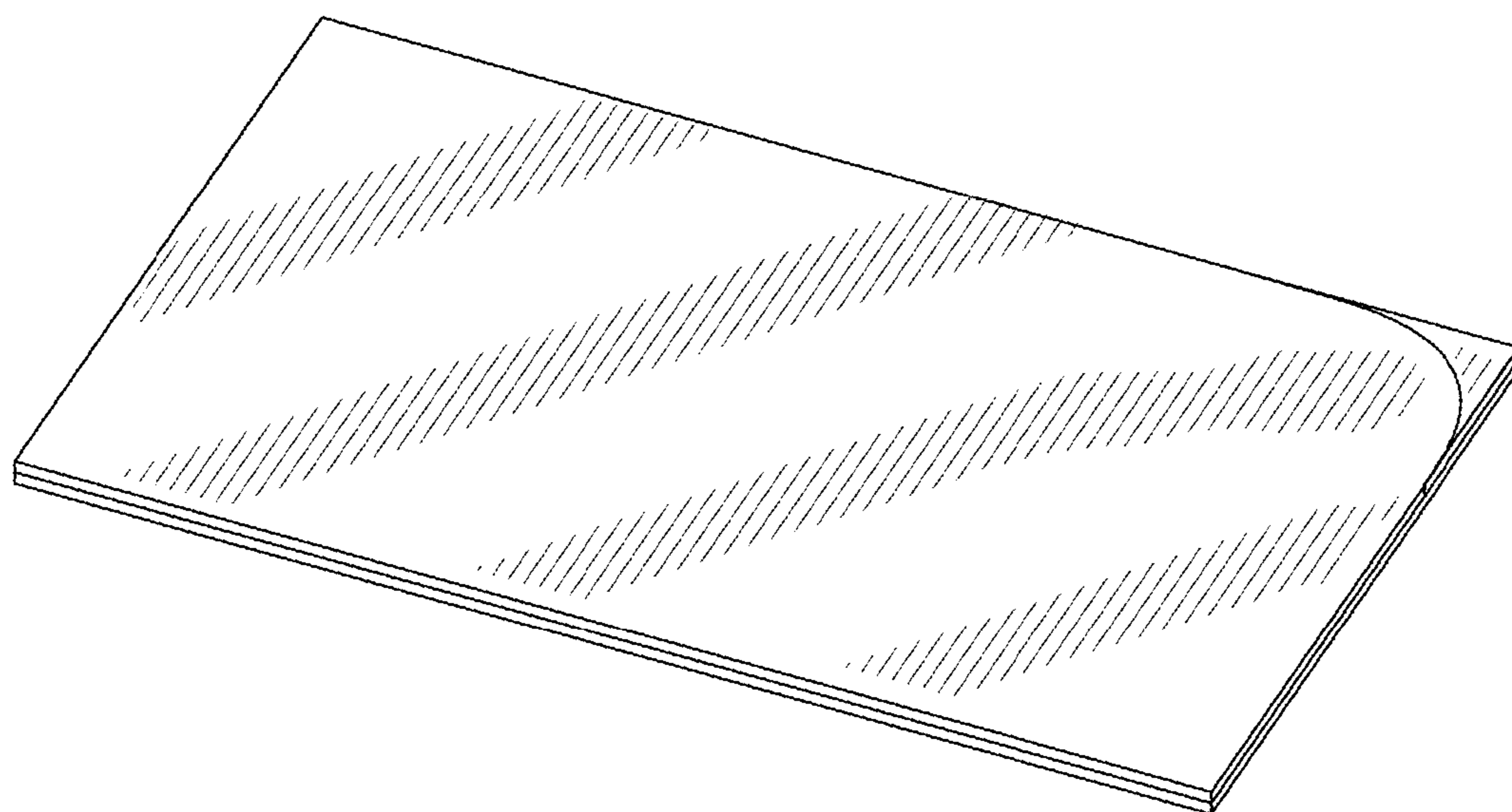


FIG. 26

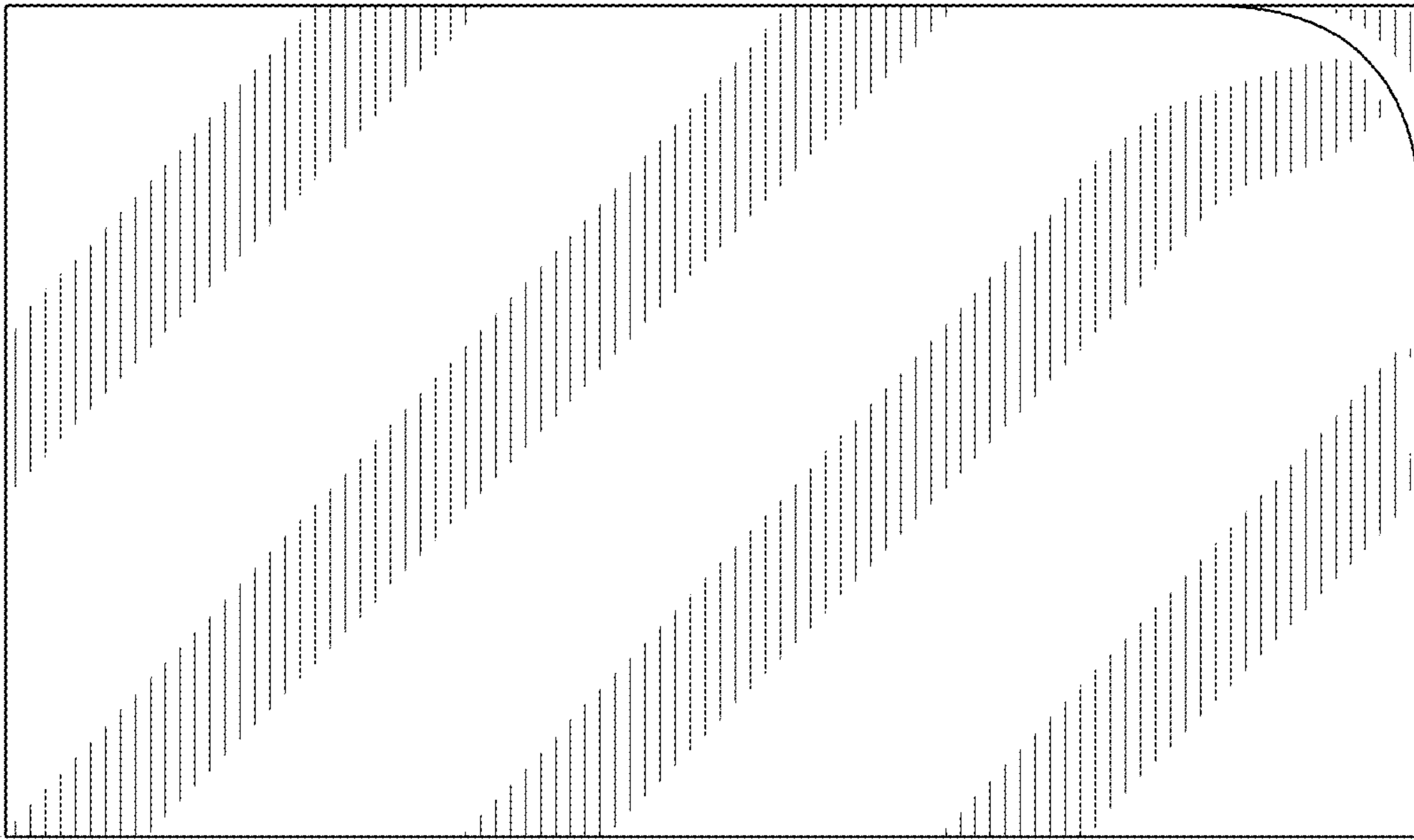


FIG. 27

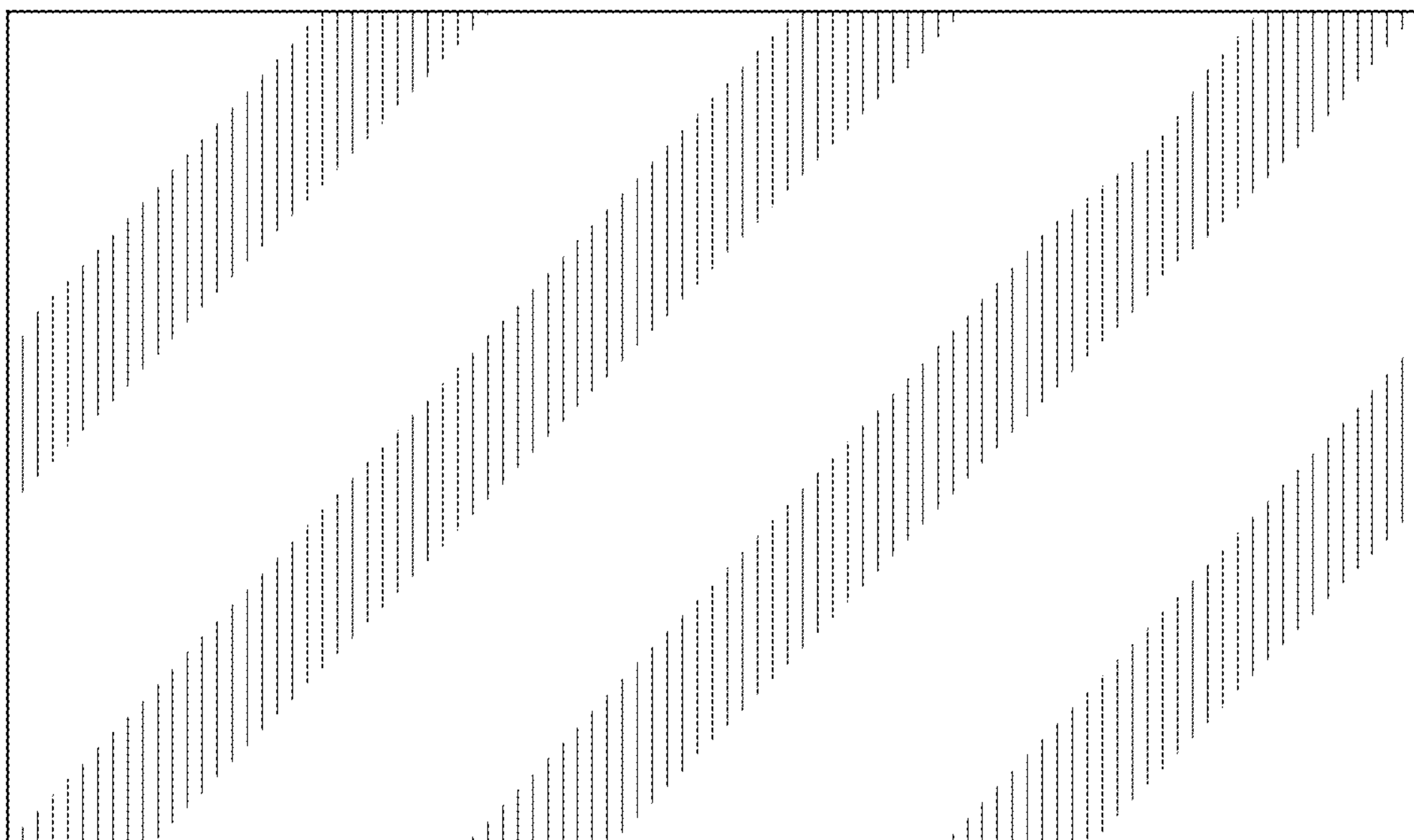


FIG. 28



FIG. 29



FIG. 30

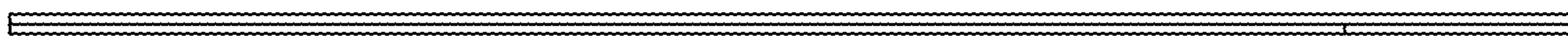


FIG. 31

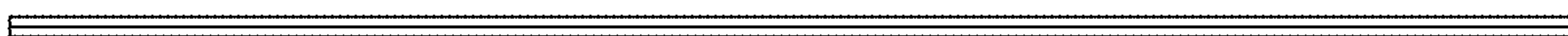


FIG. 32

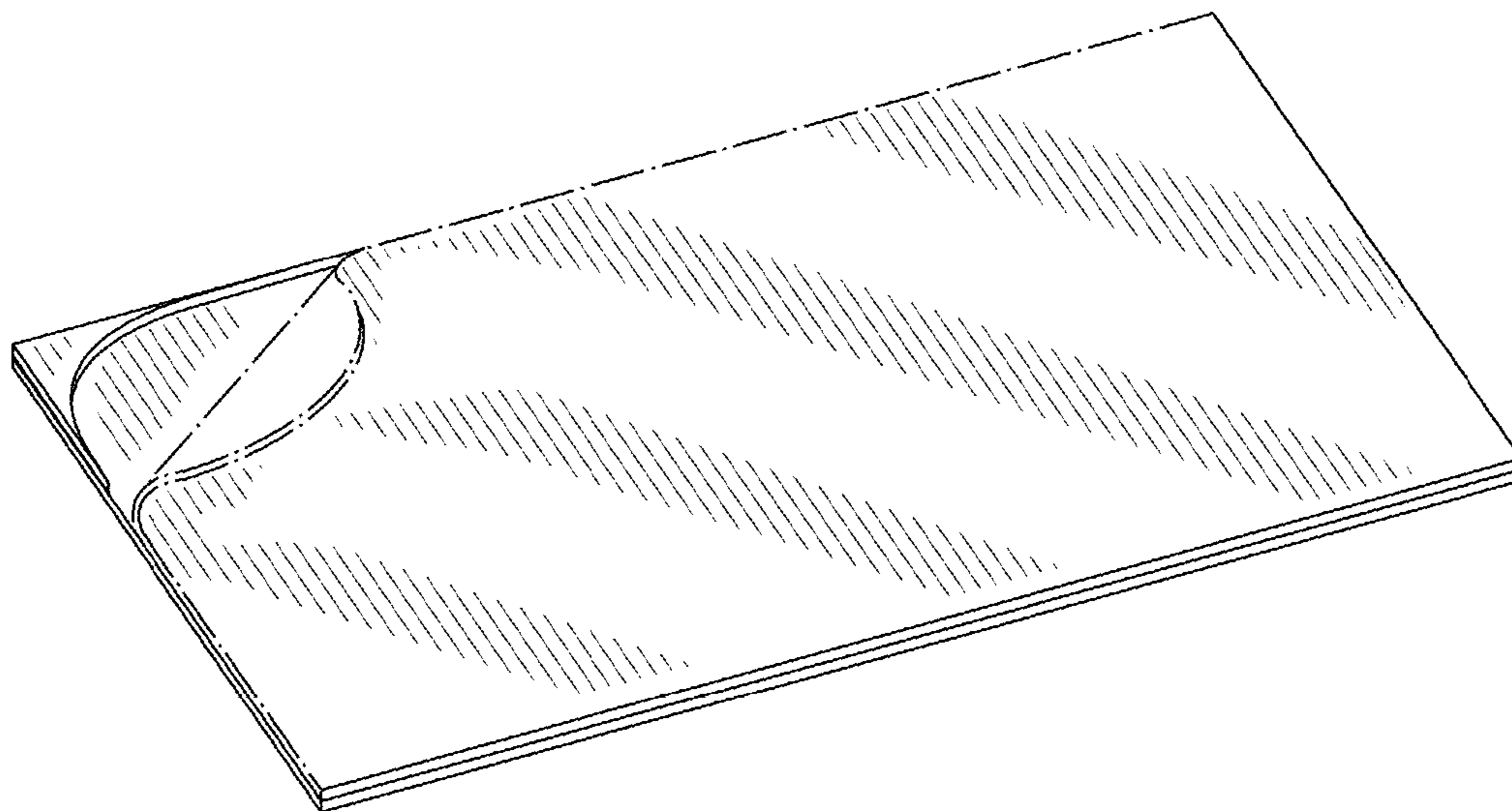


FIG. 33

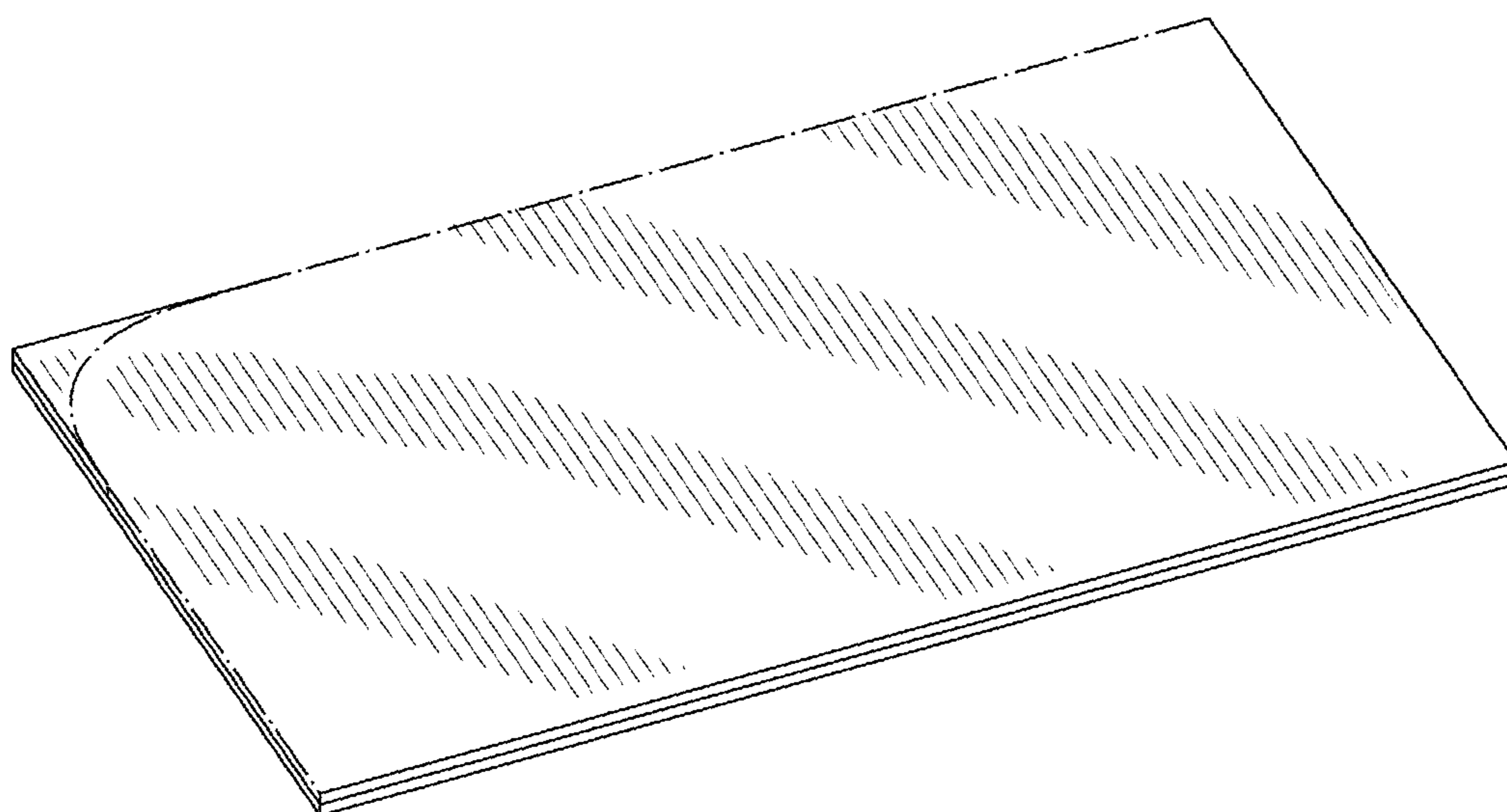


FIG. 34

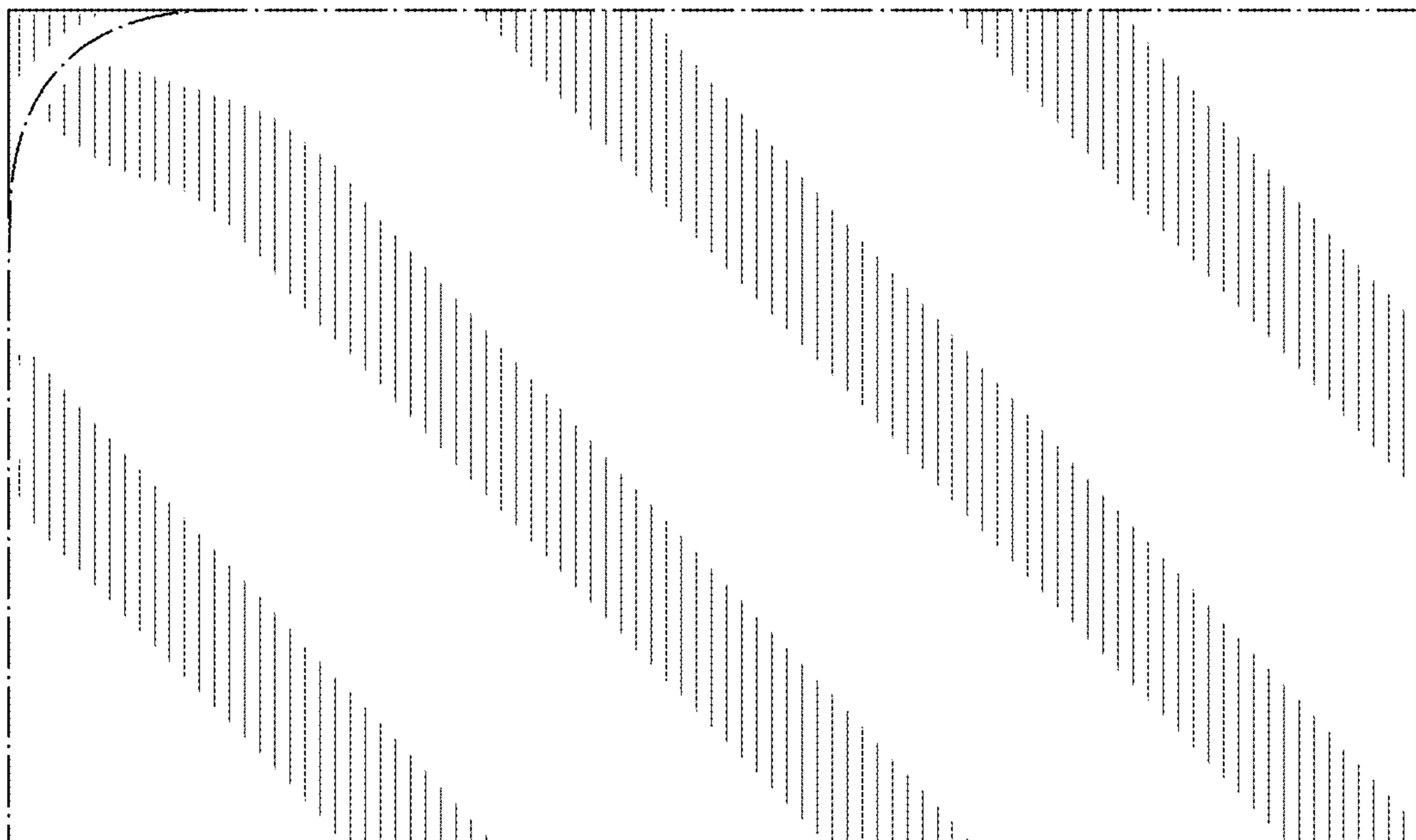


FIG. 35

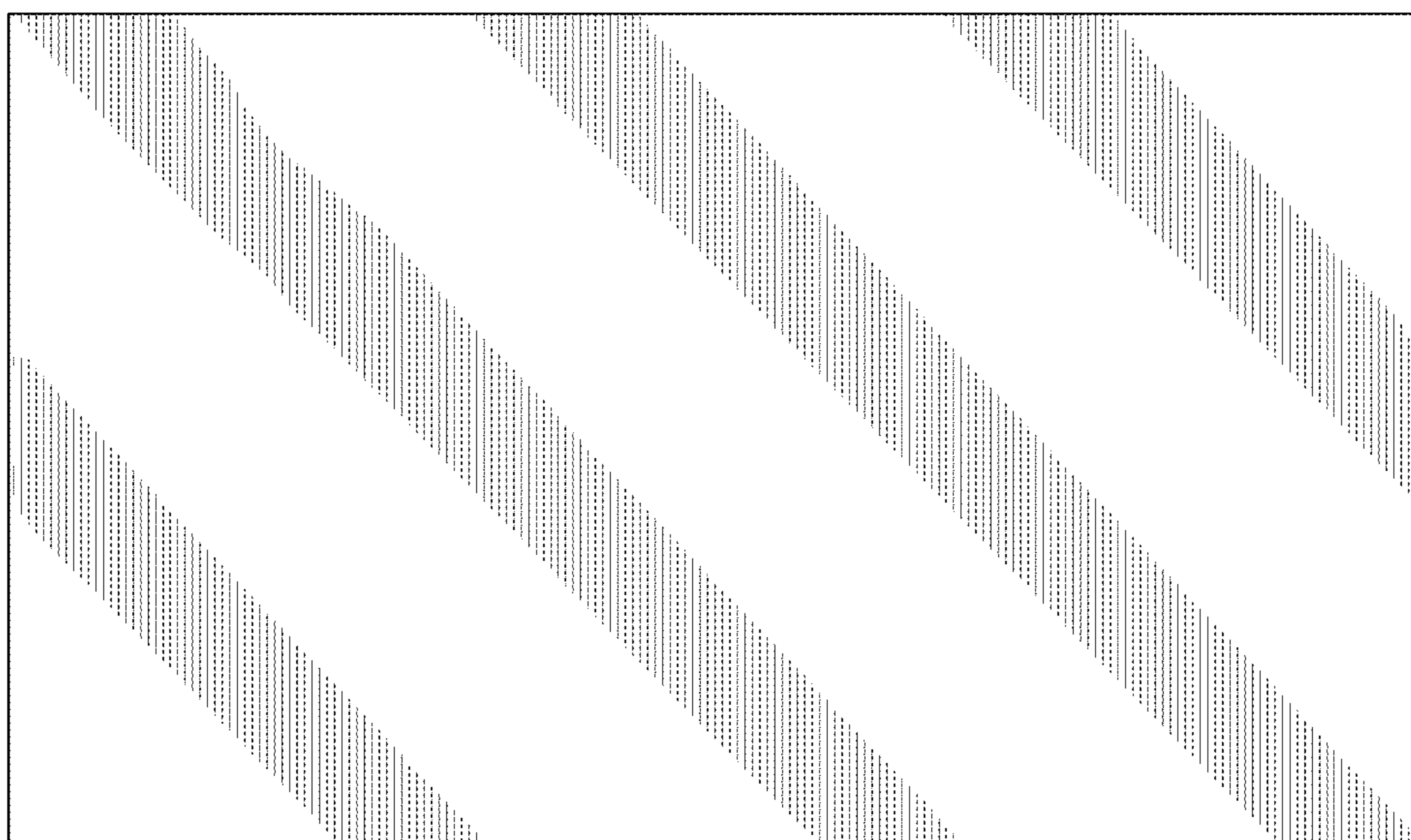


FIG. 36



FIG. 37



FIG. 38

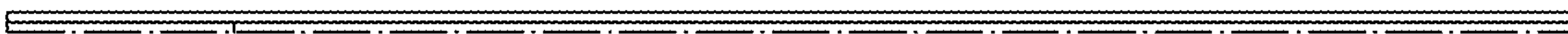


FIG. 39

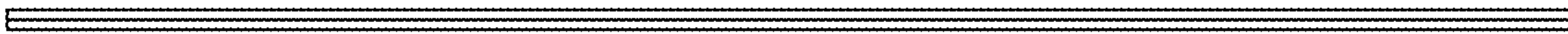


FIG. 40