



US00D774130S

(12) **United States Design Patent**
Yoshii

(10) **Patent No.:** **US D774,130 S**

(45) **Date of Patent:** **** Dec. 13, 2016**

(54) **TONER CARTRIDGE**
(71) Applicant: **KYOCERA DOCUMENT SOLUTIONS INC.**, Osaka (JP)
(72) Inventor: **Tatsuhiko Yoshii**, Osaka (JP)
(73) Assignee: **KYOCERA DOCUMENT SOLUTIONS INC.**, Osaka (JP)
(**) Term: **15 Years**
(21) Appl. No.: **29/541,073**
(22) Filed: **Sep. 30, 2015**

6,389,250 B1 * 5/2002 Numagami G03G 15/0896
399/111
6,442,359 B1 * 8/2002 Numagami G03G 21/1821
399/111
7,142,795 B2 * 11/2006 Sugiyama H04N 1/2112
399/111
D540,853 S * 4/2007 Berardelli 347/33
7,302,213 B2 * 11/2007 Kimura G03G 15/0832
399/120
D650,413 S * 12/2011 Murata D18/43
D652,073 S * 1/2012 Murata D18/43
8,543,033 B2 * 9/2013 Morishita G03G 21/1842
399/111
8,565,651 B2 * 10/2013 Fujii G03G 21/1676
399/106
D728,012 S * 4/2015 Yoshii D18/43

(Continued)

(30) **Foreign Application Priority Data**

Mar. 31, 2015 (JP) 2015-007088

(51) **LOC (10) Cl.** **16-03**

(52) **U.S. Cl.**
USPC **D18/43**

(58) **Field of Classification Search**
USPC D18/12, 18, 36, 43, 56, 99; D14/309,
D14/332, 471; 399/11, 92, 106, 110, 111;
222/DIG. 1
See application file for complete search history.

(56) **References Cited**

U.S. PATENT DOCUMENTS

2,904,000 A * 9/1959 Fisher G03G 15/09
118/308
D365,846 S * 1/1996 Nishimura D18/40
D379,829 S * 6/1997 Hayashi D18/43
5,761,586 A * 6/1998 Kawashima G03G 15/0875
222/DIG. 1
6,131,007 A * 10/2000 Yamaguchi G03G 15/0822
399/111
6,385,416 B1 * 5/2002 Horikawa G03G 15/0208
399/111

Primary Examiner — Barbara Fox

Assistant Examiner — Mary C Ramirez

(74) *Attorney, Agent, or Firm* — Young & Thompson

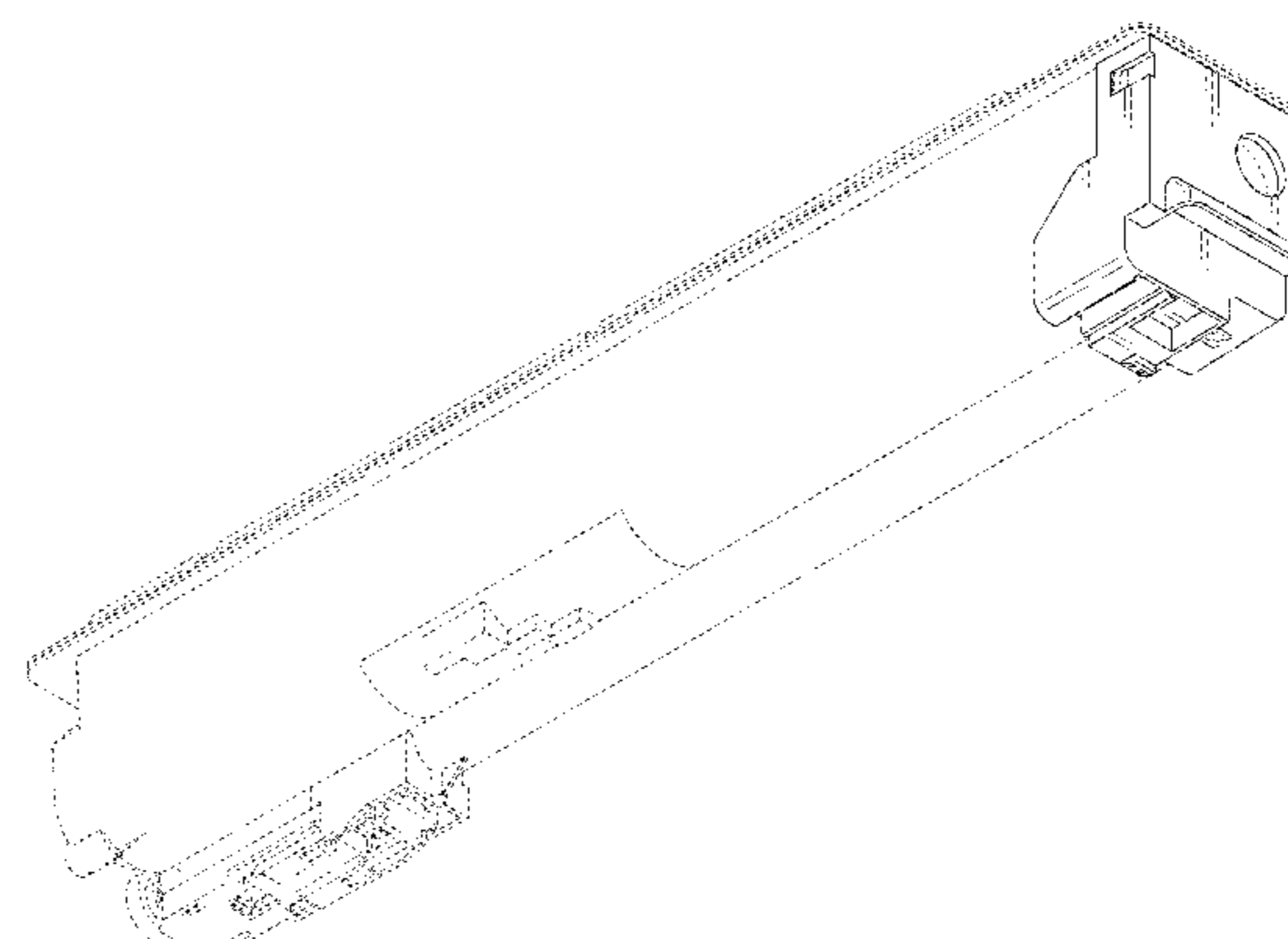
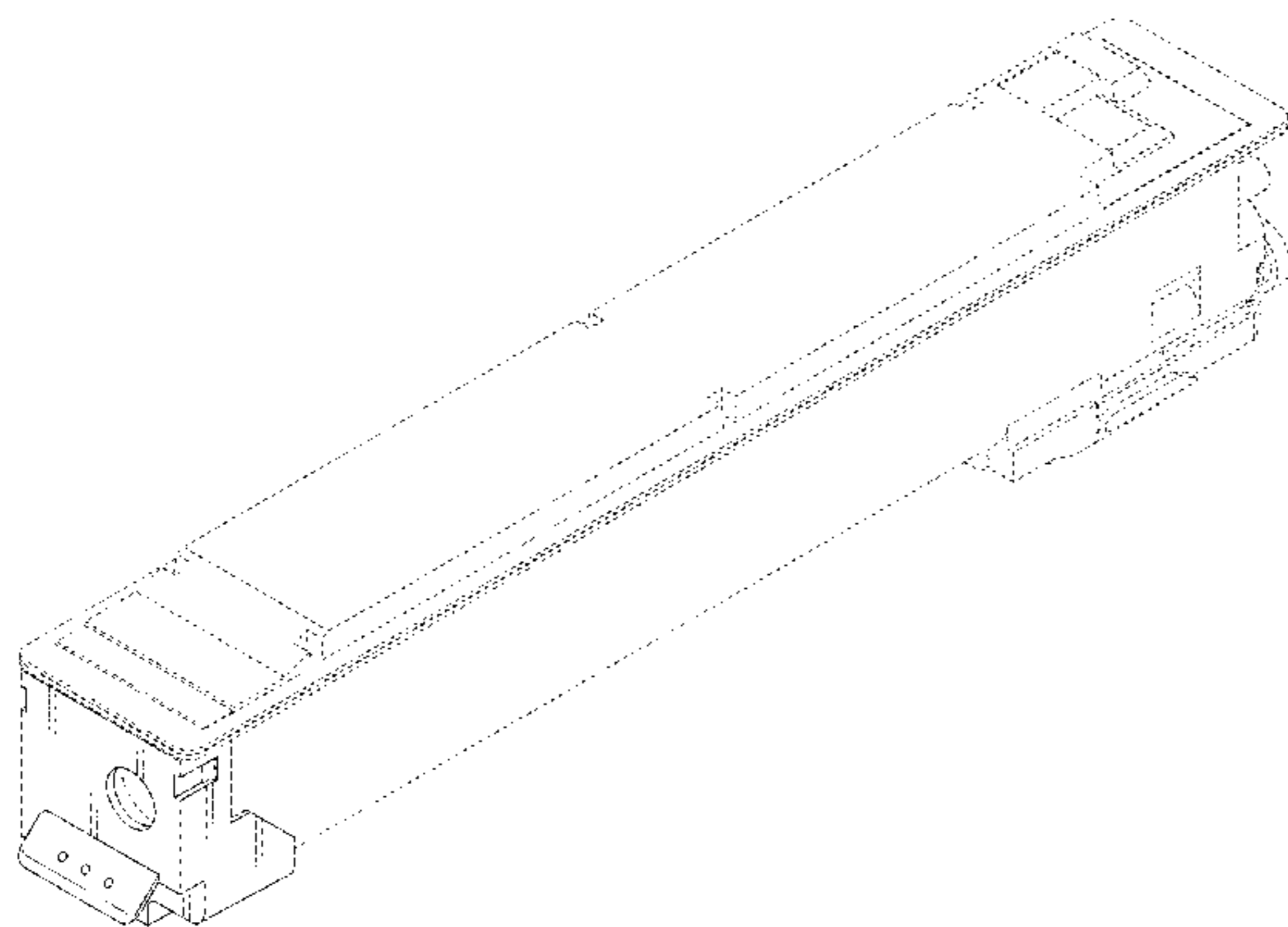
(57) **CLAIM**

The ornamental design for a toner cartridge, as shown and described.

DESCRIPTION

FIG. 1 is a perspective view of front, left and top of toner cartridge showing my new design;
FIG. 2 is a perspective view of rear, right and bottom thereof;
FIG. 3 is a front view thereof;
FIG. 4 is a rear view thereof;
FIG. 5 is a left side view thereof;
FIG. 6 is a right side view thereof;
FIG. 7 is a top plan view thereof; and,
FIG. 8 is a bottom plan view thereof.
The broken lines shown in the drawings illustrate portions of the toner cartridge that form no part of the claimed design.

1 Claim, 5 Drawing Sheets



(56)

References Cited

U.S. PATENT DOCUMENTS

9,158,232	B2 *	10/2015	Yoshii	G03G 15/0832
9,201,344	B2 *	12/2015	Sato	G03G 15/0867
D746,904	S *	1/2016	Kitagawa	D18/43
9,280,090	B2 *	3/2016	Kimura	G03G 15/0832
2007/0269225	A1 *	11/2007	Sato	G03G 15/0839
				399/12
2009/0067888	A1 *	3/2009	Murata	G03G 15/0877
				399/263
2012/0243887	A1 *	9/2012	Murata	G03G 15/0858
				399/27
2012/0243913	A1 *	9/2012	Murata	G03G 15/0875
				399/263
2014/0140737	A1 *	5/2014	Yamanaka	G03G 15/0886
				399/260
2014/0147174	A1 *	5/2014	Yoshii	G03G 15/0887
				399/259

* cited by examiner

Fig. 1

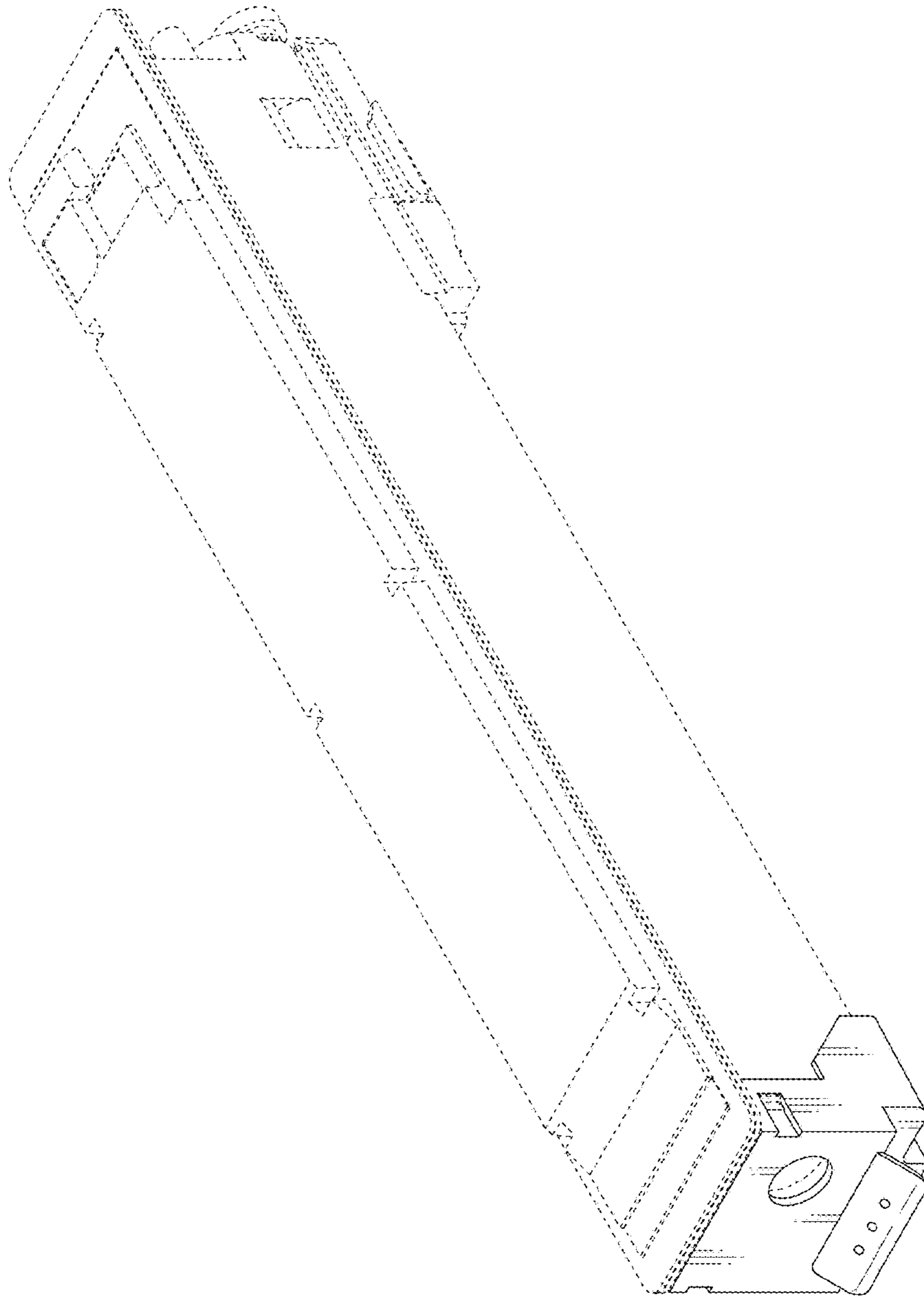


Fig. 2

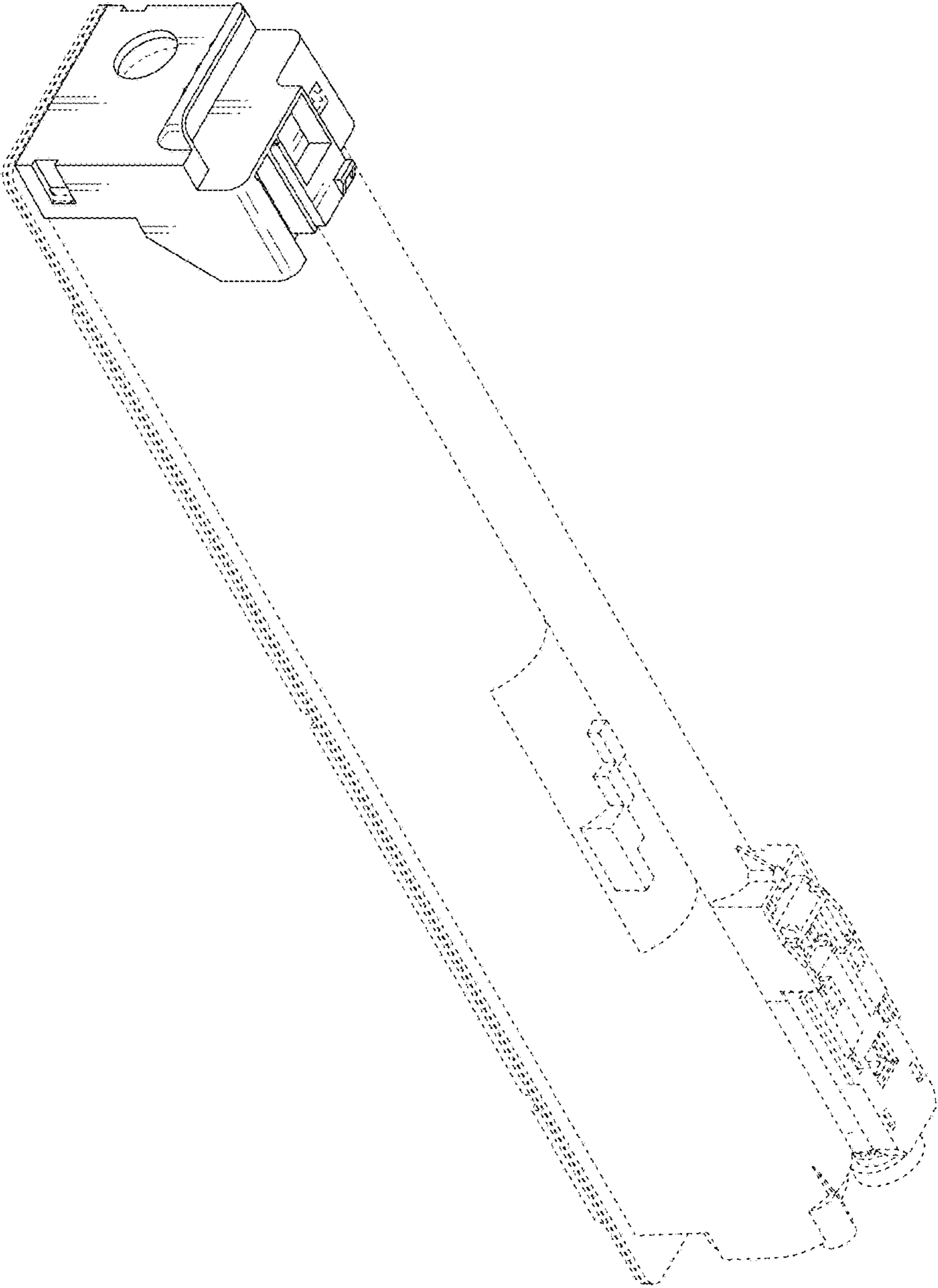


Fig. 3

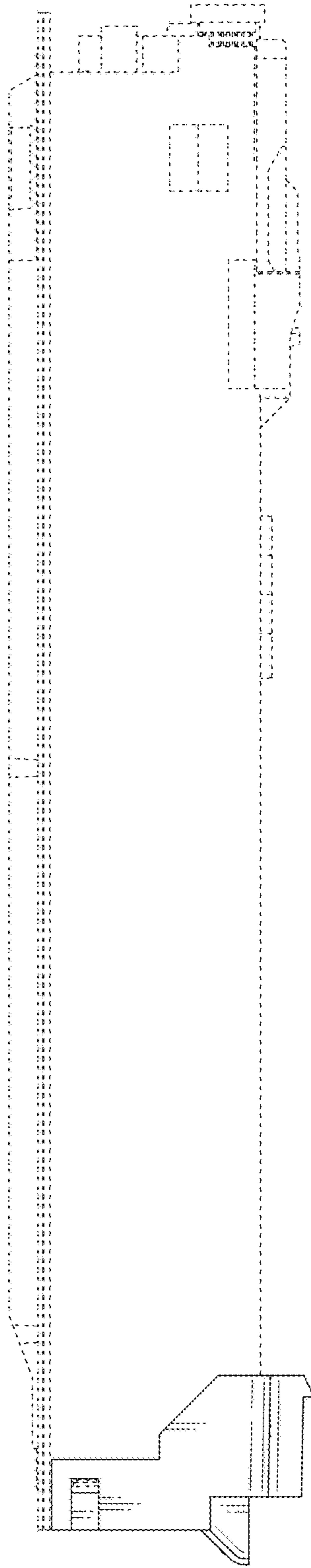


Fig. 4

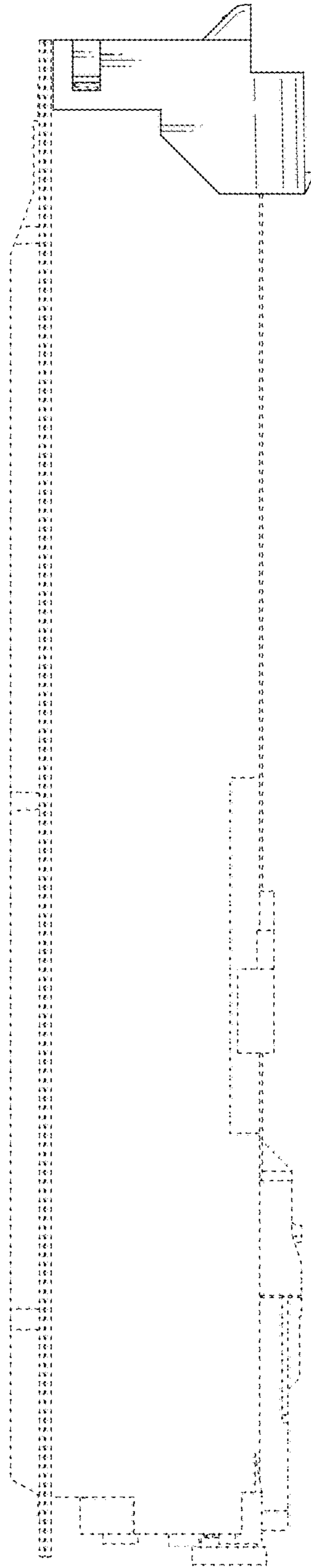


Fig. 6

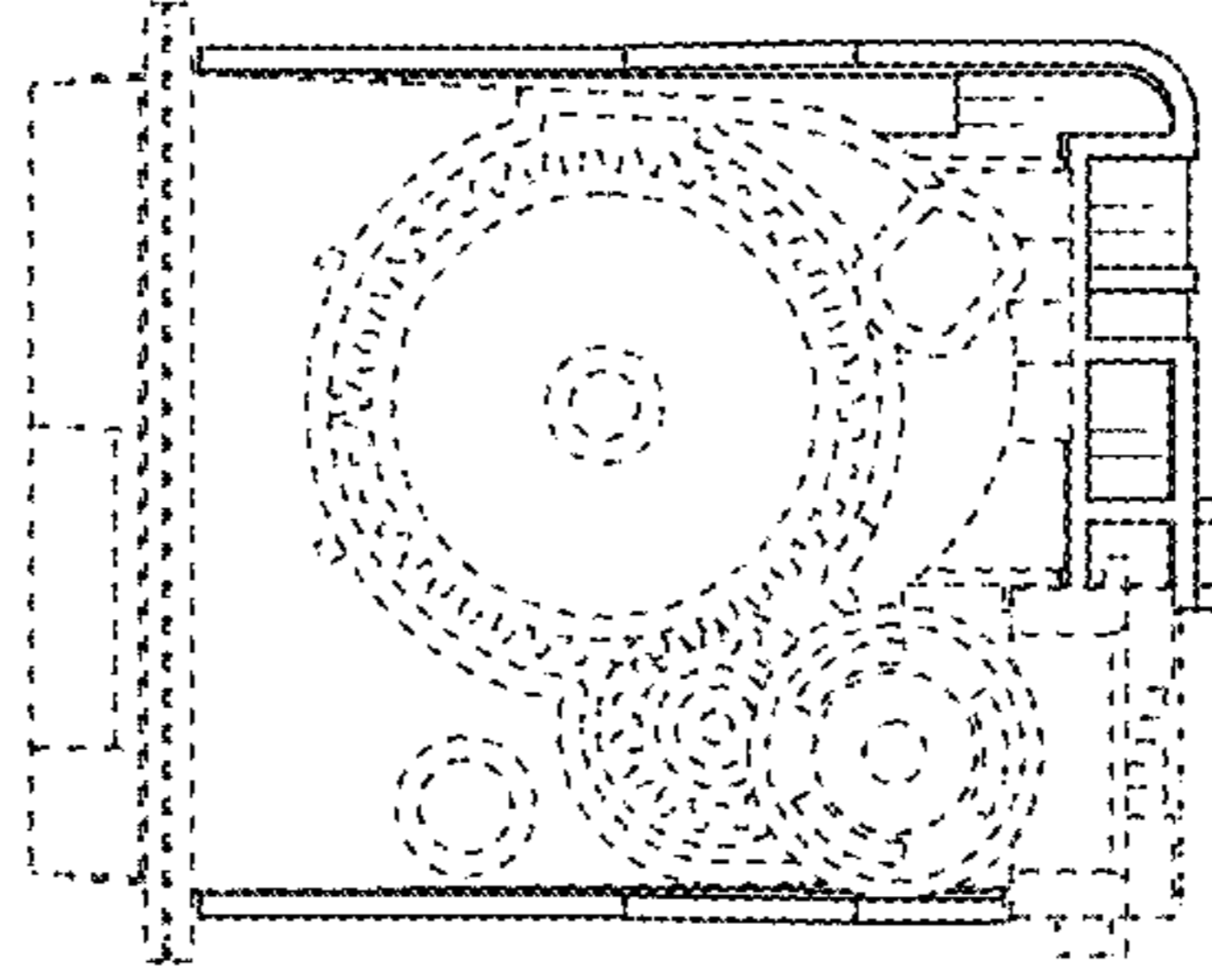


Fig. 5

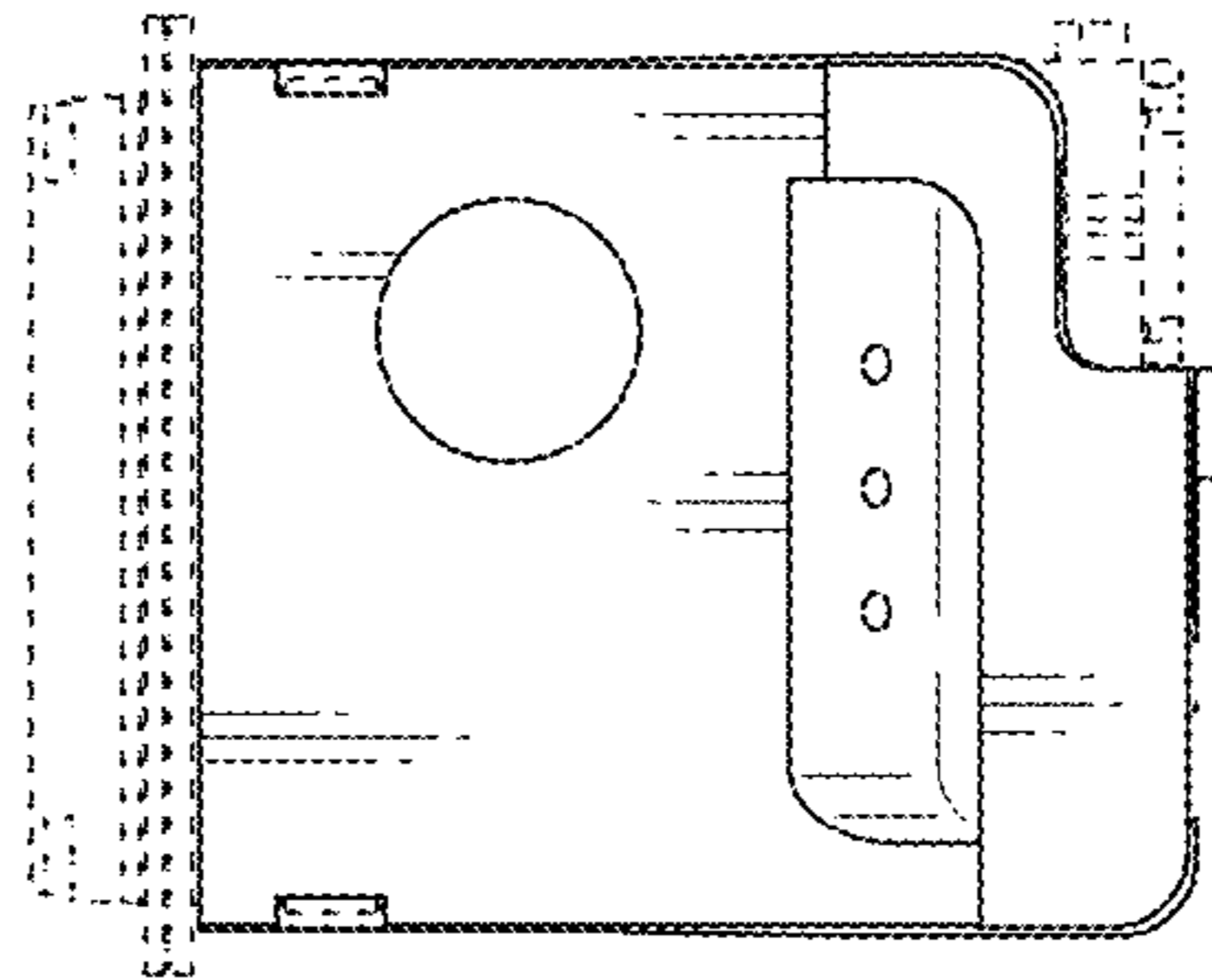


Fig. 7

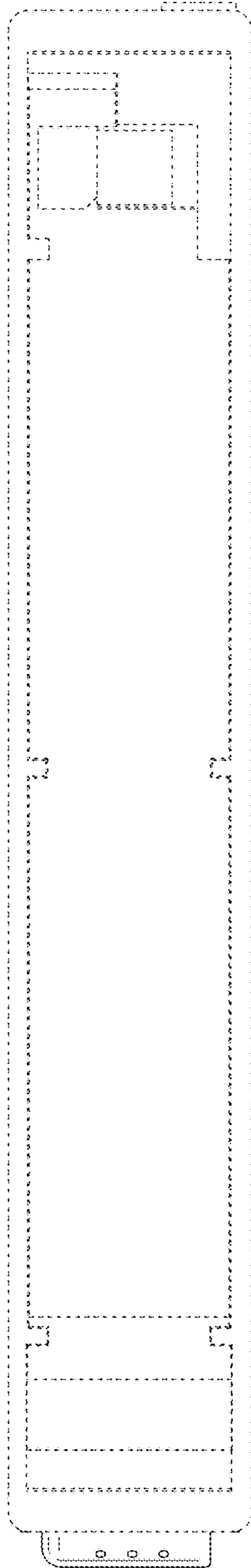


Fig. 8

