



US00D774129S

(12) **United States Design Patent**
Lu et al.

(10) **Patent No.:** **US D774,129 S**
(45) **Date of Patent:** **** Dec. 13, 2016**

(54) **MEDIA CARTRIDGE**

(71) Applicant: **ZIH Corp.**, Lincolnshire, IL (US)

(72) Inventors: **Kuan-Ying Lu**, Taichung (TW);
Shushuo Wu, Rancho Santa Margarita,
CA (US); **Lance Hussey**, Simi Valley,
CA (US); **Harnish Jani**, Redondo
Beach, CA (US); **Greg Vanderpol**,
Long Beach, CA (US)

(73) Assignee: **ZIH Corp.**, Lincolnshire, IL (US)

(**) Term: **14 Years**

(21) Appl. No.: **29/512,031**

(22) Filed: **Dec. 16, 2014**

(51) **LOC (10) Cl.** **16-03**

(52) **U.S. Cl.**
USPC **D18/43; D18/56**

(58) **Field of Classification Search**
USPC D18/18, 40, 43, 56, 99
CPC G03G 15/0832; G03G 15/0834; G03G
15/0836; G03G 15/0837; G03G 15/0867;
G03G 15/0868; G03G 15/0872; G03G
15/0877; G03G 15/0898; G03G
15/50; G03G 15/5016; G03G
15/60; G03G 15/65
See application file for complete search history.

(56) **References Cited**

U.S. PATENT DOCUMENTS

D591,336 S * 4/2009 Kurenuma D18/43
D698,387 S * 1/2014 Kubota D18/43

D746,904 S * 1/2016 Kitagawa D18/43
D746,906 S * 1/2016 Kitagawa D18/43
D753,216 S * 4/2016 Kikuchi D18/43
D757,173 S * 5/2016 Ishizawa D18/56

* cited by examiner

Primary Examiner — Daniel Bui
Assistant Examiner — Khawaja Anwar

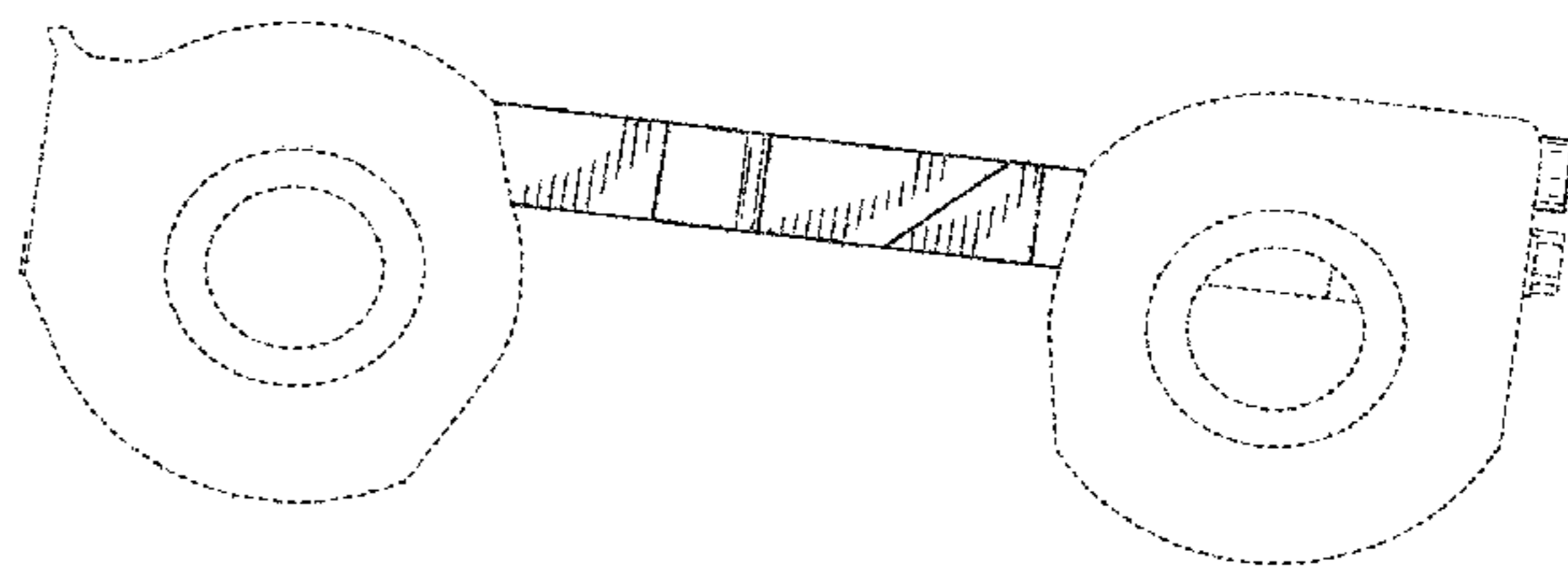
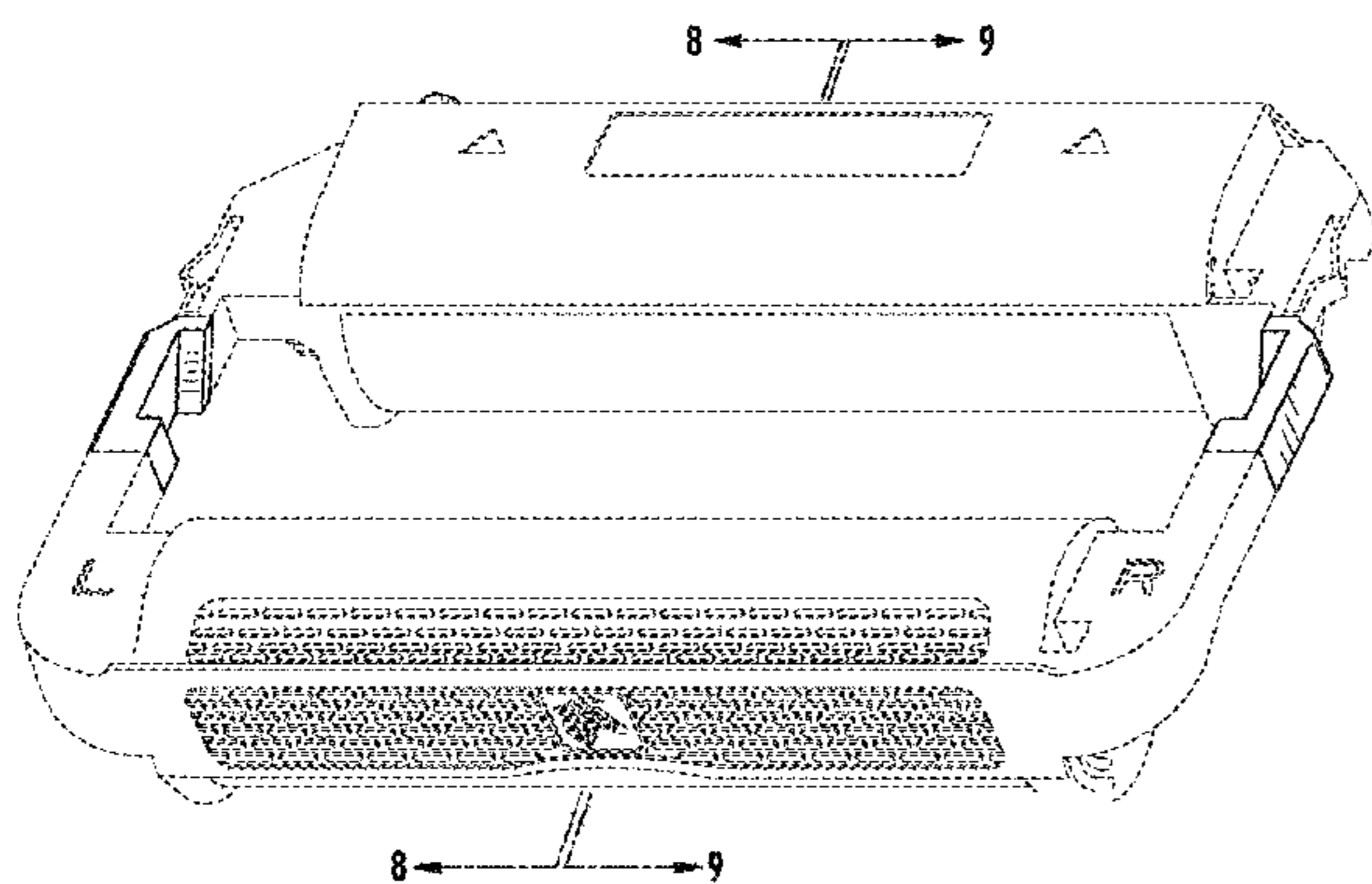
(57) **CLAIM**

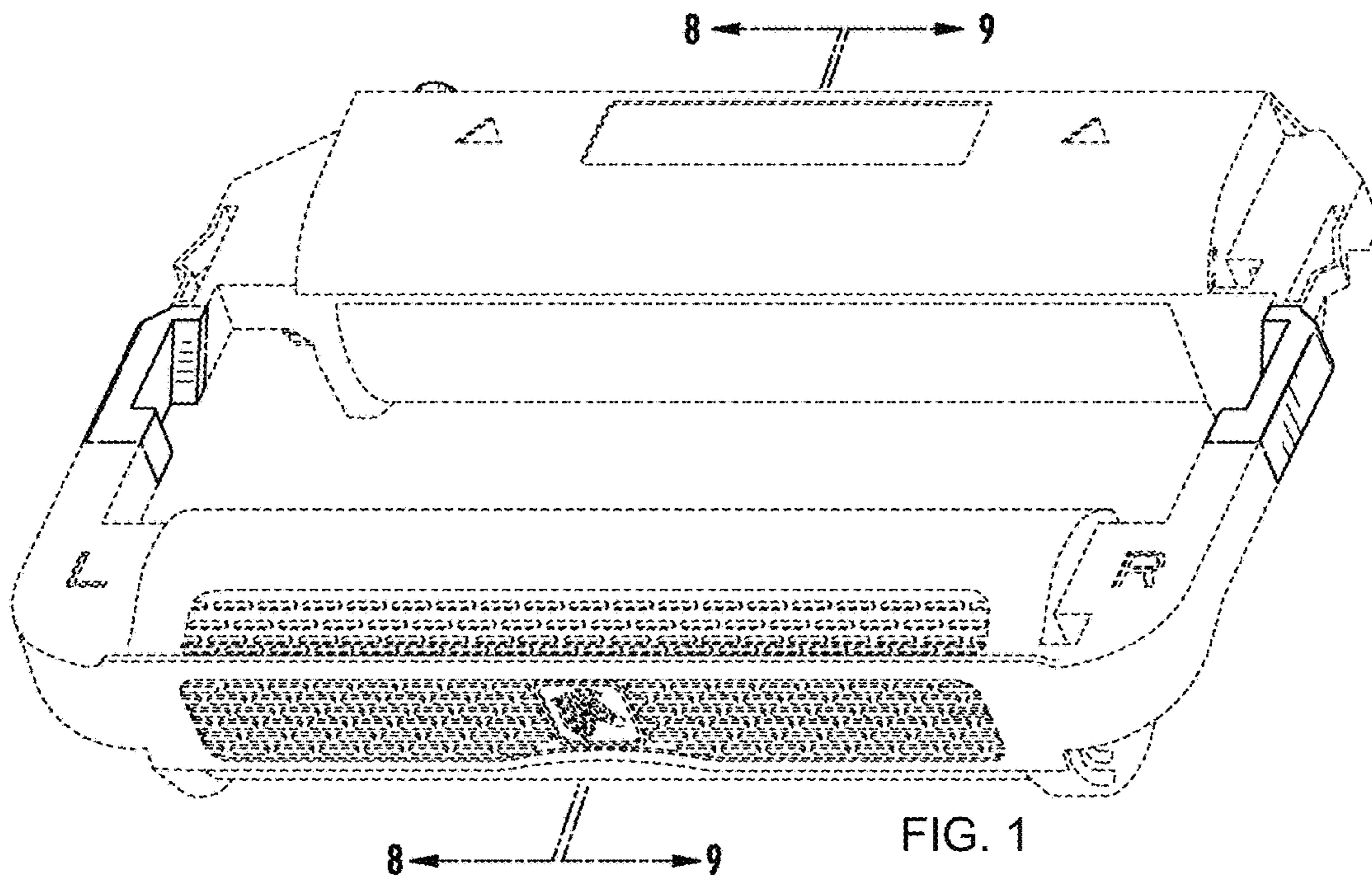
The ornamental design for a media cartridge, as shown and described.

DESCRIPTION

FIG. 1 is a perspective view of a media cartridge according to our new design;
FIG. 2 is a front elevation view thereof;
FIG. 3 is a back elevation view thereof;
FIG. 4 is a top side elevation view thereof;
FIG. 5 is a bottom plan view thereof;
FIG. 6 is a right side elevation view thereof;
FIG. 7 is a left side elevation view thereof;
FIG. 8 is a cross-section view thereof along section line 8-8 of FIG. 1; and,
FIG. 9 is a cross-section view thereof along section line 9-9 of FIG. 1.
The dash-dot-dash broken lines represent the bounds of the claimed design, while the dash-dash broken lines represent environment and form not part of the claimed design.

1 Claim, 9 Drawing Sheets





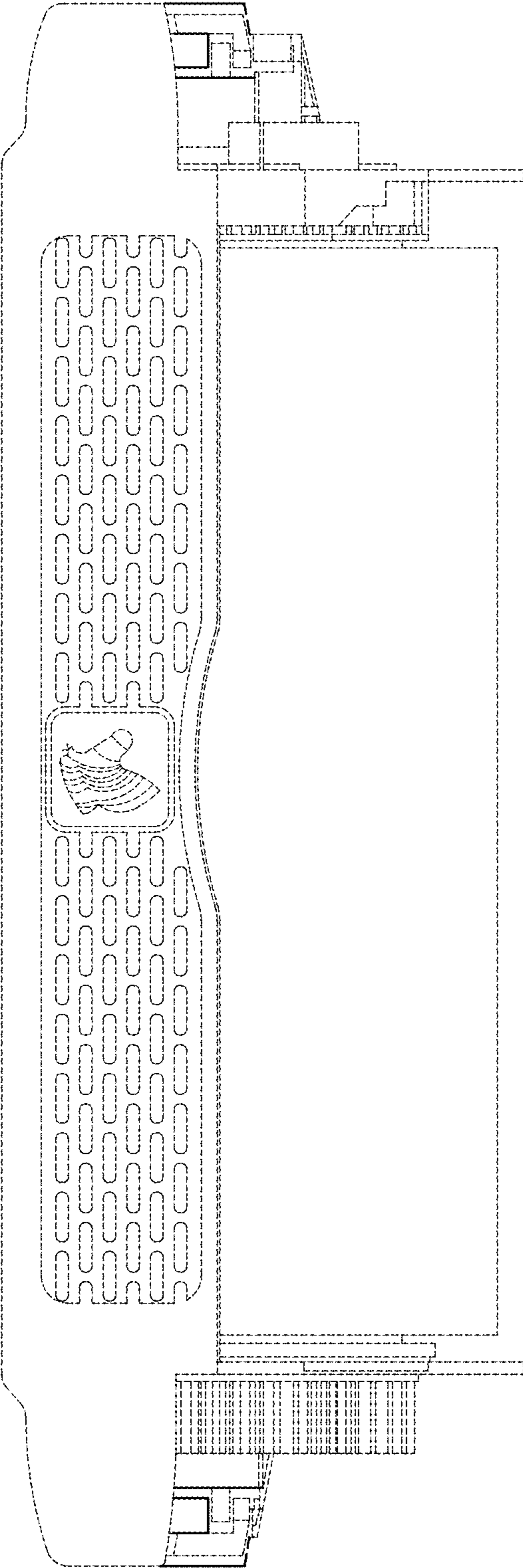


FIG. 2

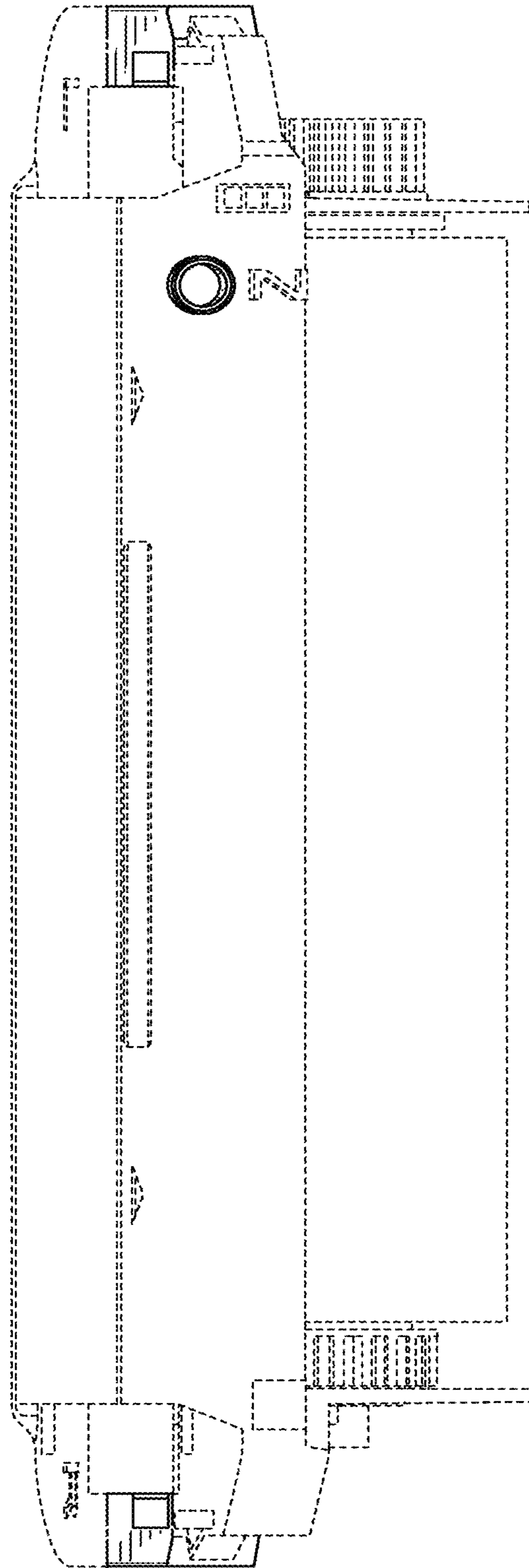


FIG. 3

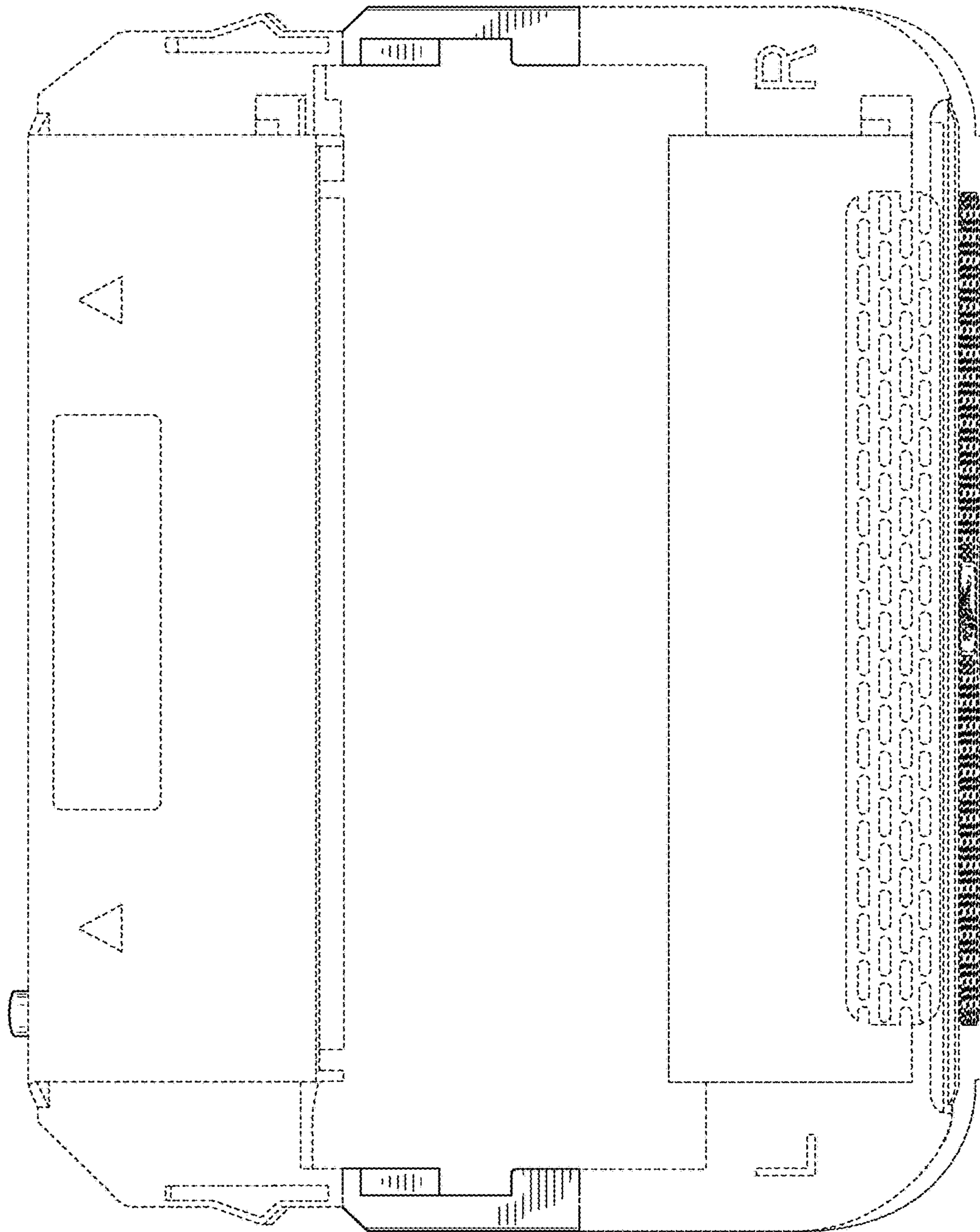


FIG. 4

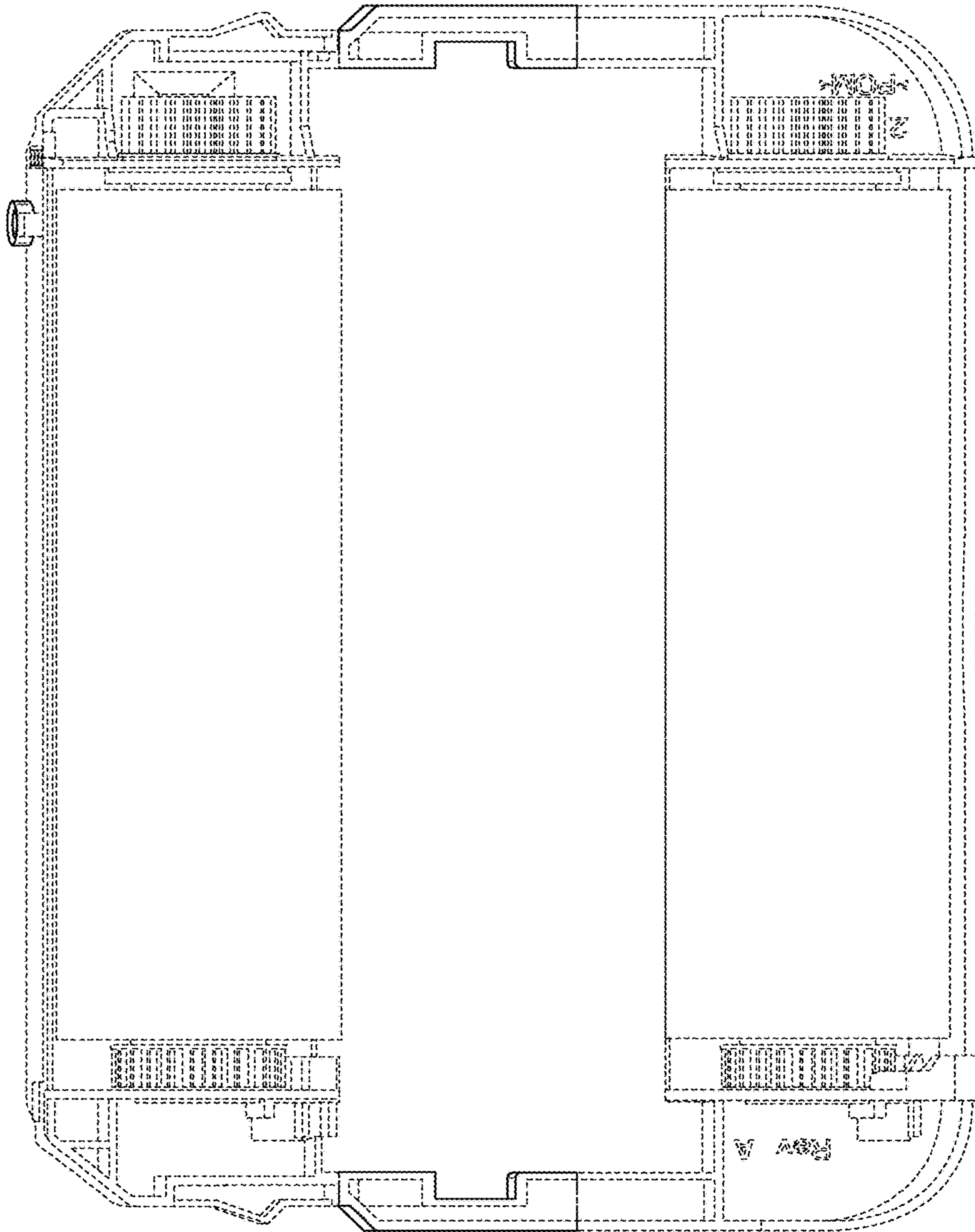


FIG. 5

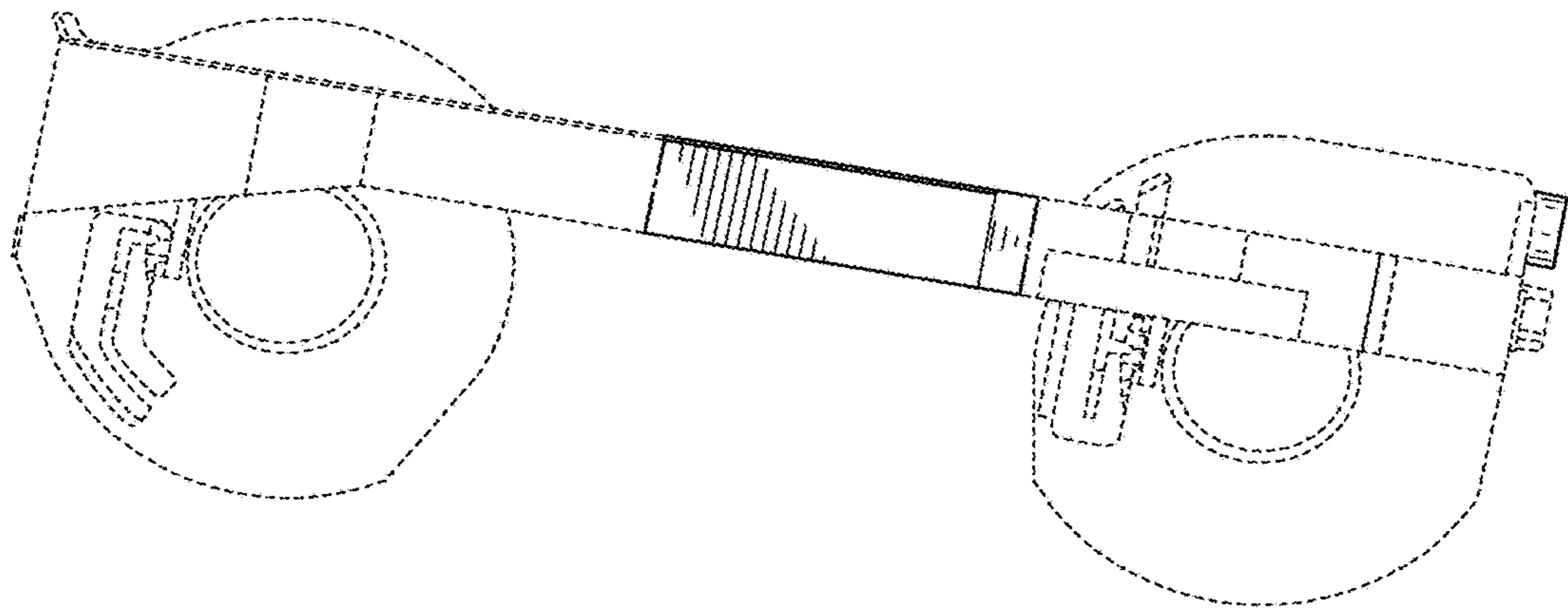


FIG. 6

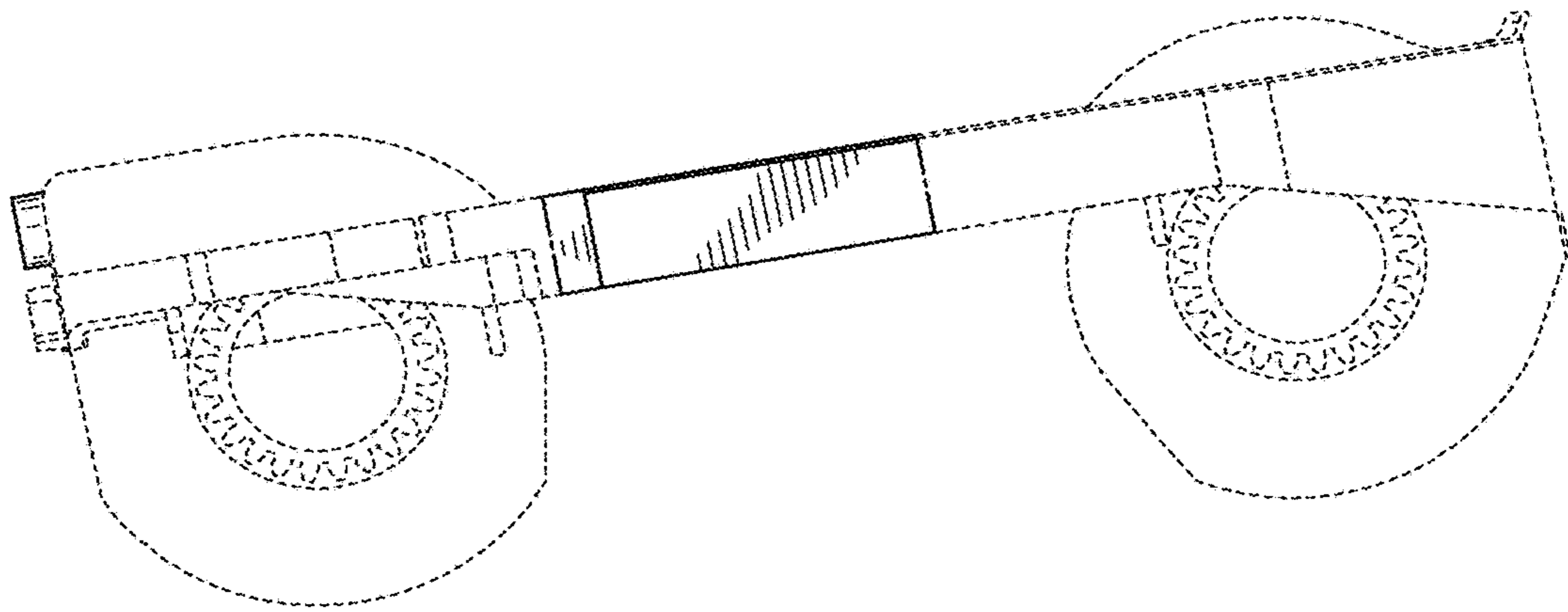


FIG. 7

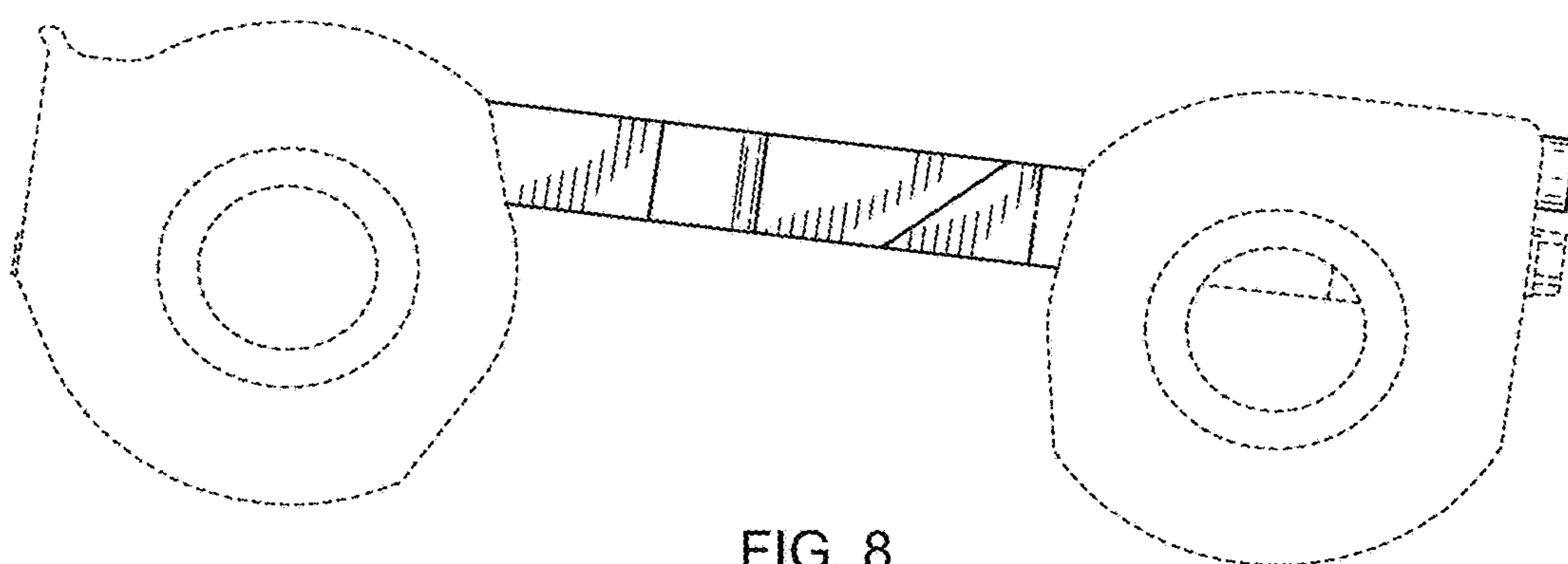


FIG. 8

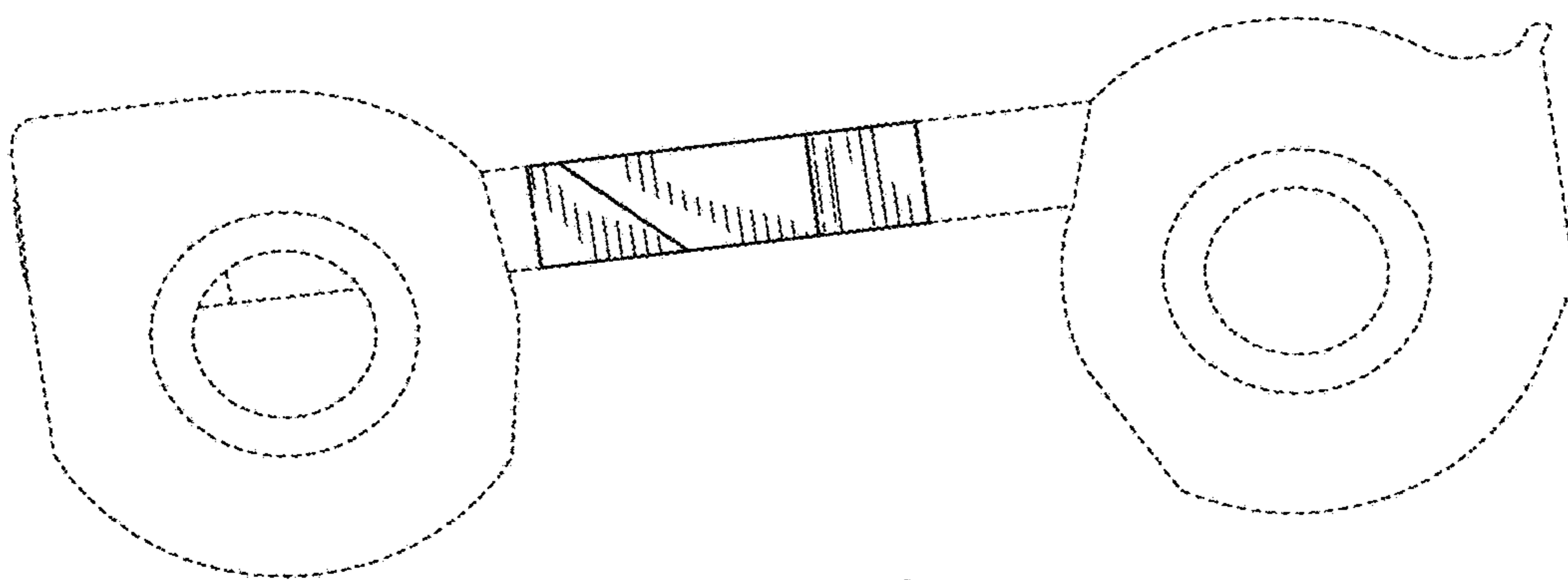


FIG. 9