

US00D774126S

(12) **United States Design Patent**
Sallard

(10) **Patent No.:** **US D774,126 S**

(45) **Date of Patent:** **** Dec. 13, 2016**

- (54) **SPECTACLE ARM**
- (71) Applicant: **CARTIER CREATION STUDIO SA**,
Geneva (CH)
- (72) Inventor: **Emmanuelle Sallard**, Paris (FR)
- (73) Assignee: **Cartier International AG**, Steinhausen
(CH)
- (**) Term: **15 Years**
- (21) Appl. No.: **29/528,800**
- (22) Filed: **Jun. 1, 2015**
- (30) **Foreign Application Priority Data**

5,307,095	A *	4/1994	Ogura	G02C 11/00 351/111
D389,853	S *	1/1998	Kosakowski	D16/330
5,923,395	A *	7/1999	Yamaguchi	B44C 1/26 351/41
D458,627	S *	6/2002	Desbiez-Piat	D16/330
D463,480	S *	9/2002	Chen	D16/335
D601,181	S *	9/2009	Fuchs	D16/315
D602,975	S *	10/2009	Fuchs	D16/315
D616,487	S *	5/2010	Riley	D16/330
D633,940	S *	3/2011	Preuer-Lackner	D16/316
D636,012	S *	4/2011	Chiang	D16/339
D650,002	S *	12/2011	Zoonens	D16/315
D658,703	S *	5/2012	Sallard	D16/307
D661,723	S *	6/2012	Fuchs	D16/316
D671,980	S *	12/2012	Sallard	D16/323
D671,982	S *	12/2012	Fuchs	D16/315
D671,983	S *	12/2012	Fuchs	D16/315
D682,924	S *	5/2013	Cheung	D16/334
D683,390	S *	5/2013	Sallard	D16/323

(Continued)

Dec. 11, 2014 (WO) DM/085104

- (51) **LOC (10) Cl.** **16-06**
- (52) **U.S. Cl.**
USPC **D16/335**
- (58) **Field of Classification Search**
USPC D16/101, 300-342, 900; D29/109-110;
D14/372; 351/41, 44, 45-48, 51-52, 62,
351/158, 92, 103-123, 140-153, 63, 59;
2/13, 2/15, 426-432, 447-449, 441,
2/434-437
CPC G02C 2200/08; G02C 1/06; G02C 5/14;
G02C 5/16; G02C 11/02; G02C
11/04; G02C 2200/02; G02C 5/146; G02C
5/2254; G02C 5/008; A61M 2021/0044;
A63B 33/002
See application file for complete search history.

(56) **References Cited**

U.S. PATENT DOCUMENTS

- D97,957 S * 12/1935 Reynolds D16/335
- D176,000 S * 11/1955 Belgard D16/335

Primary Examiner — Rosemary K Tarcza

Assistant Examiner — Sanjeev Paul

(74) *Attorney, Agent, or Firm* — Taft Stettinius &
Hollister LLP

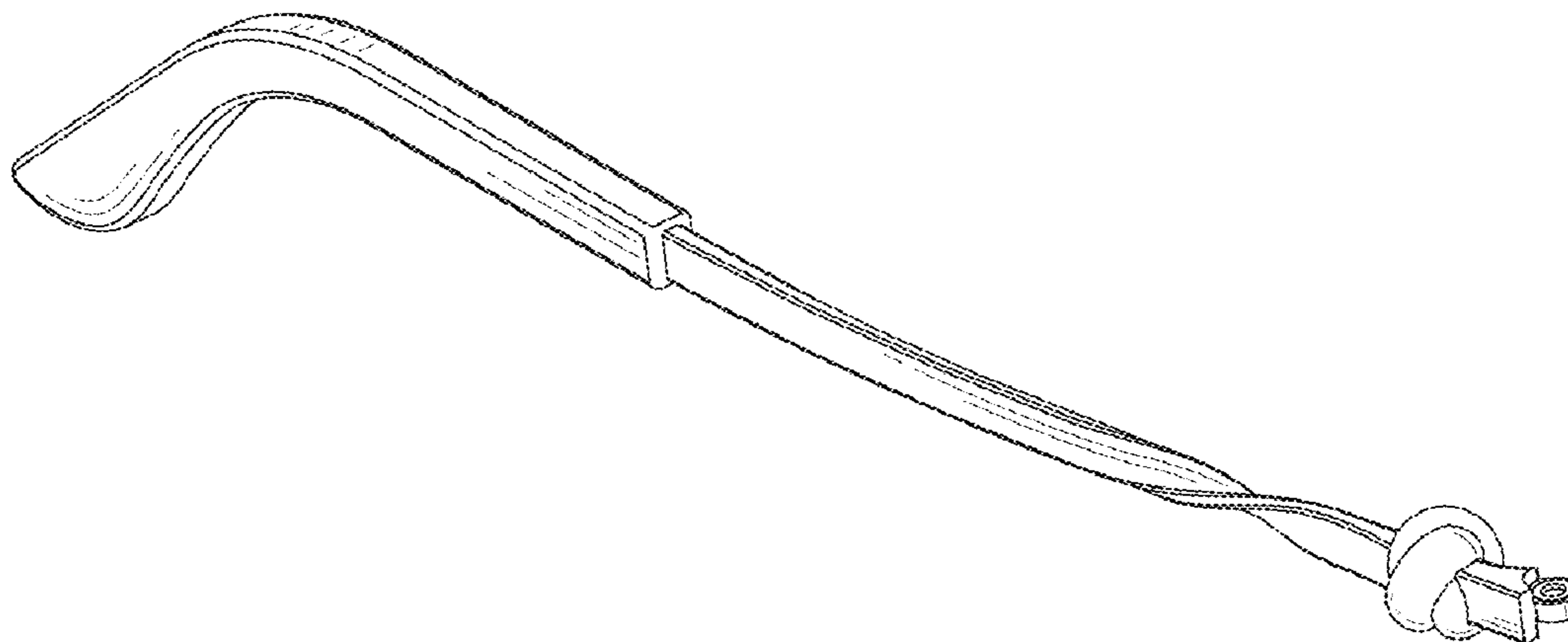
(57) **CLAIM**

The ornamental design for a spectacle arm, as shown and described.

DESCRIPTION

FIG. 1 is a front-side perspective view of a spectacle arm of the present invention.
 FIG. 2 is a right side view of the spectacle arm of FIG. 1.
 FIG. 3 is a left side view of the spectacle arm of FIG. 1.
 FIG. 4 is a rear side view of the spectacle arm of FIG. 1.
 FIG. 5 is a front side view of the spectacle arm of FIG. 1.
 FIG. 6 is a top side view of the spectacle arm of FIG. 1; and,
 FIG. 7 is a bottom side view of the spectacle arm of FIG. 1.

1 Claim, 2 Drawing Sheets



(56)

References Cited

U.S. PATENT DOCUMENTS

D692,046	S *	10/2013	Fuchs	D16/315
8,651,659	B2 *	2/2014	Bertelli	G02C 11/02 351/118
D721,128	S *	1/2015	Yoo	D16/321
D722,639	S *	2/2015	Ho	D16/335
D741,399	S *	10/2015	Ho	D16/335
D749,670	S *	2/2016	Shin	D16/335
D753,213	S *	4/2016	Spampinato	D16/330
D757,158	S *	5/2016	Fuchs	D16/315
D761,346	S *	7/2016	Spampinato	D16/330
2007/0242211	A1 *	10/2007	Chao	G02C 11/02 351/41
2008/0165317	A1 *	7/2008	Wilson	G02C 11/02 351/52
2009/0213323	A1 *	8/2009	Hermanson	G02C 11/04 351/158
2012/0274894	A1 *	11/2012	Senatore	G02B 3/14 351/159.68
2014/0253864	A1 *	9/2014	Iimura	G02C 5/00 351/89
2015/0160473	A1 *	6/2015	Tormen	G02C 5/00 351/116

* cited by examiner

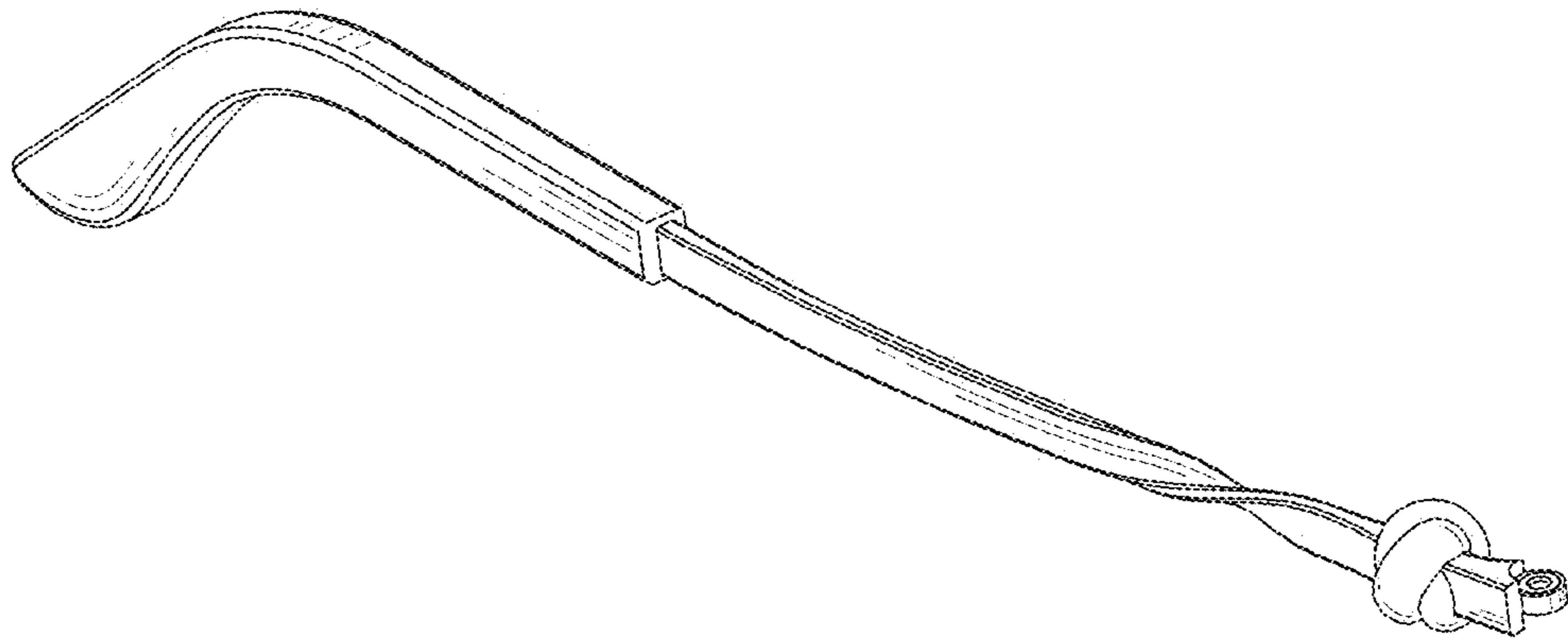


FIG. 1

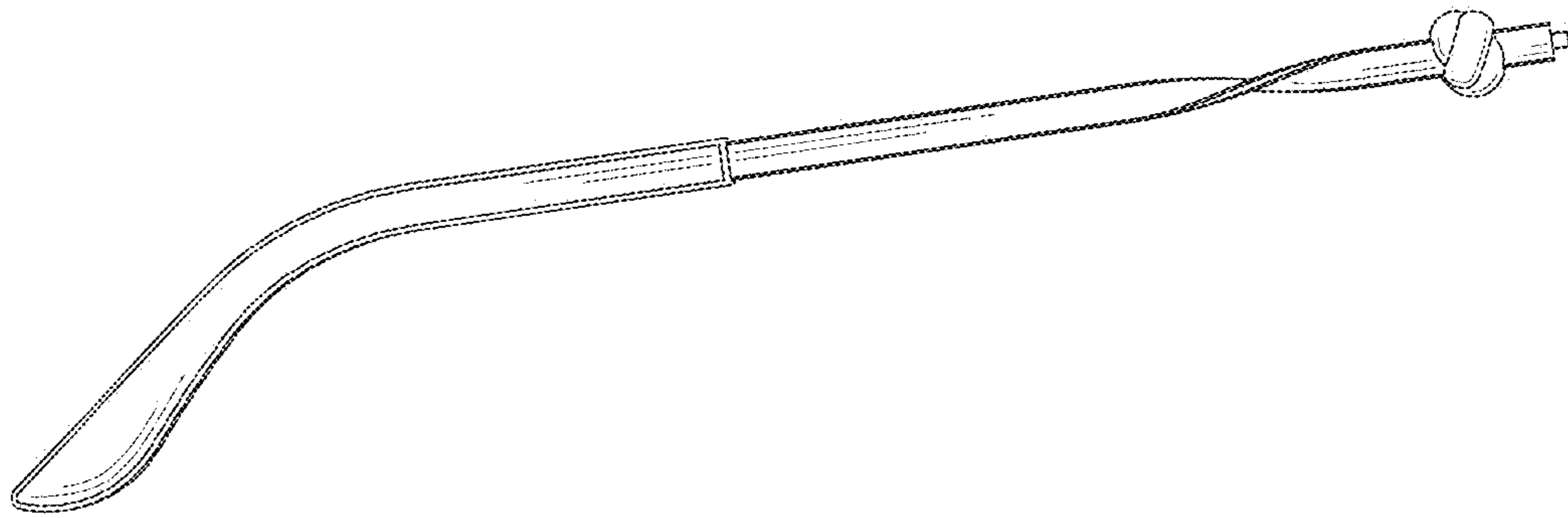


FIG. 2

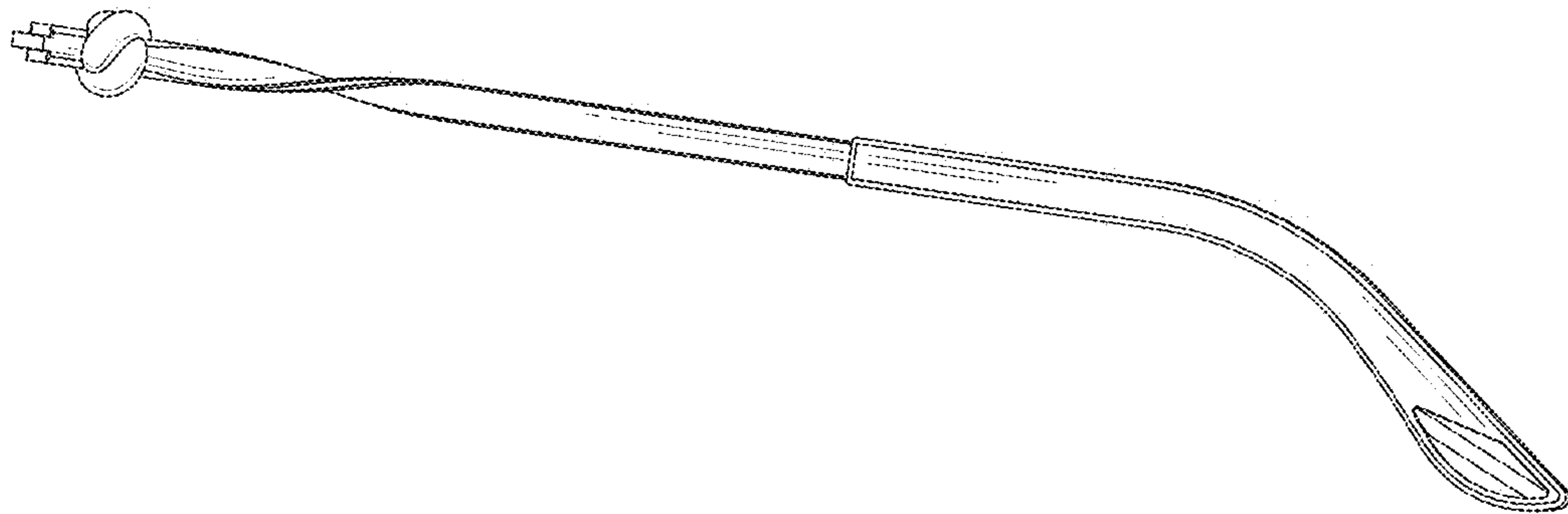


FIG. 3

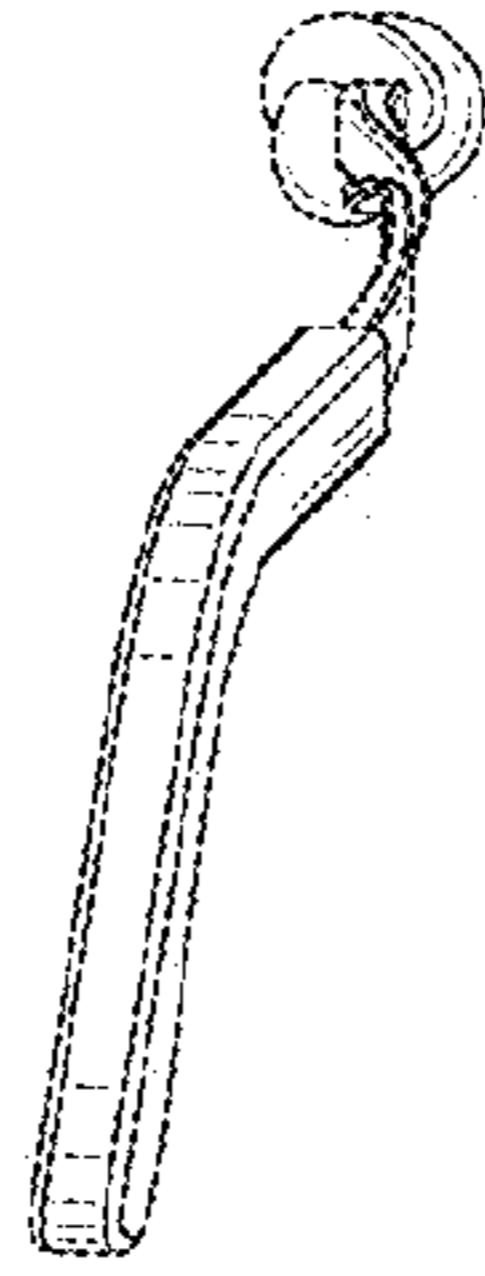


FIG. 4

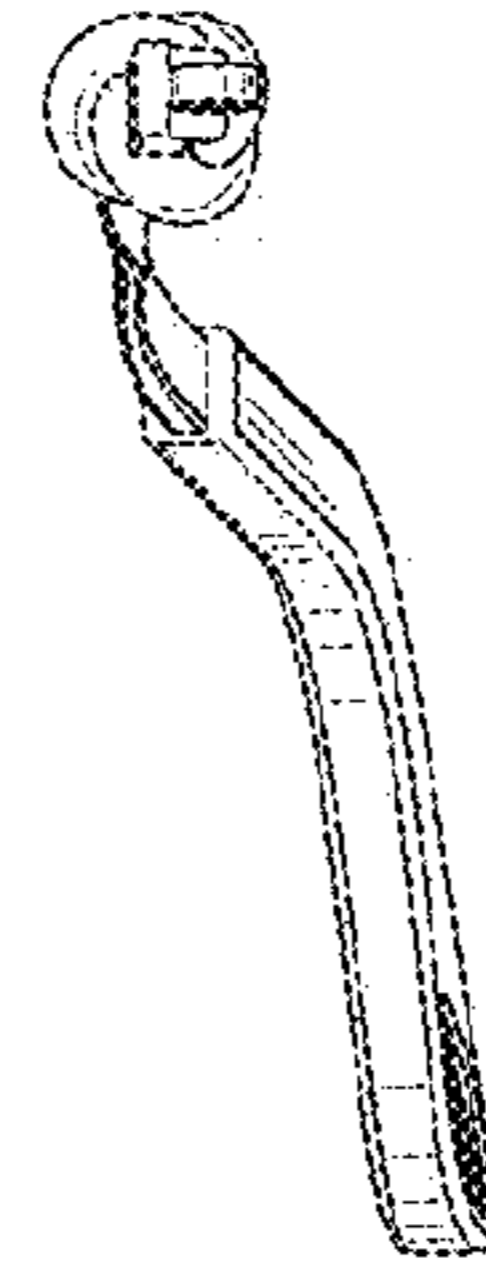


FIG. 5

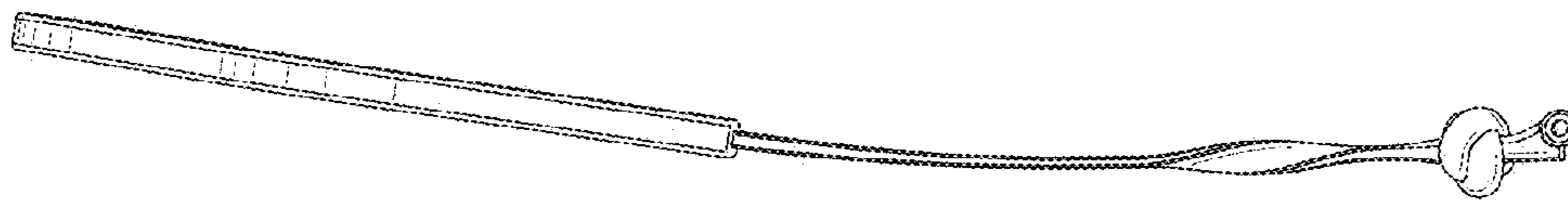


FIG. 6

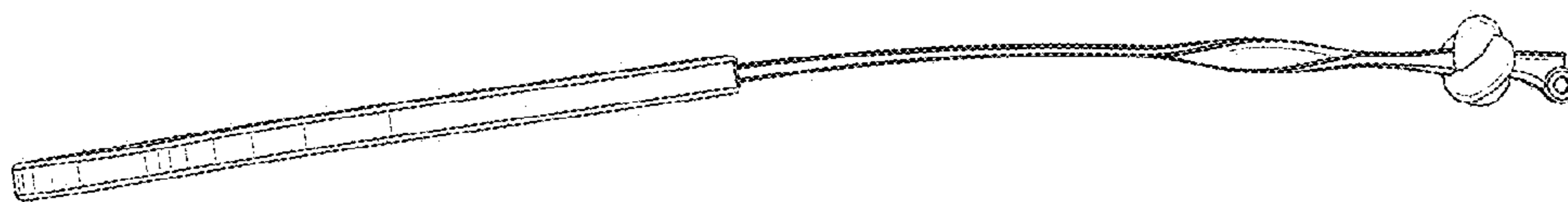


FIG. 7