



US00D774120S

(12) **United States Design Patent**
Chai

(10) **Patent No.:** **US D774,120 S**

(45) **Date of Patent:** **** Dec. 13, 2016**

(54) **CAMERA**

(71) Applicant: **Samsung Electronics Co., Ltd.**,
Suwon-si, Gyeonggi-do (KR)

(72) Inventor: **Ki-Byung Chai**, Seoul (KR)

(73) Assignee: **SAMSUNG ELECTRONICS CO., LTD.**,
Suwon-Si, Gyeonggi-Do (KR)

(**) Term: **14 Years**

(21) Appl. No.: **29/486,359**

(22) Filed: **Mar. 28, 2014**

(30) **Foreign Application Priority Data**

Oct. 2, 2013 (KR) 30-2013-0050147

(51) **LOC (10) Cl.** **16-05**

(52) **U.S. Cl.**
USPC **D16/219**

(58) **Field of Classification Search**
USPC D16/200, 202-206, 208, 218, 219;
348/373-376; 396/535, 539-541
CPC G03B 15/03; G03B 17/02; G03B 17/04;
G03B 17/56; G03B 19/04; H04N 5/2251;
H04N 5/2252; H04N 5/2253; H04N
5/2254; H04N 2101/00
See application file for complete search history.

(56) **References Cited**

U.S. PATENT DOCUMENTS

D519,140 S *	4/2006	Nasu	D16/200
D543,227 S *	5/2007	Hayashi	D16/202
D559,293 S *	1/2008	Katayama	D16/202
D561,223 S *	2/2008	Horikiri	D16/202
D561,224 S *	2/2008	Horikiri	D16/202
D561,226 S *	2/2008	Yoshida	D16/202
D561,227 S *	2/2008	Yoshida	D16/202
D561,229 S *	2/2008	Sato	D16/202
D653,407 S *	1/2012	Coin	D30/136
D697,714 S *	1/2014	Baekgaard	D3/247

OTHER PUBLICATIONS

Cases For Fuji Finepix X100. Leicatime.com[online]. Dec. 25, 2011 [retrieved on Nov. 25, 2015]. Retrieved from the Internet: </http://www.leicatime.com/a000-CasesFujiFinepixX100.htm/>.*

* cited by examiner

Primary Examiner — Susan E Krakower

Assistant Examiner — Ramzi Almatrahi

(74) *Attorney, Agent, or Firm* — Ladas & Parry LLP

(57) **CLAIM**

The ornamental design for a camera, as shown and described.

DESCRIPTION

FIG. 1 is a front perspective view of a camera showing my new design;
FIG. 2 is a front view thereof;
FIG. 3 is a rear view of thereof;
FIG. 4 is a left-side view thereof;
FIG. 5 is a right-side view thereof;
FIG. 6 is a top view thereof;
FIG. 7 is a bottom view thereof;
FIG. 8 is an enlarged view of the encircled portion as shown in FIG. 1;
FIG. 9 is an enlarged view of the encircled portion as shown in FIG. 3;
FIG. 10 is an enlarged view of the encircled portion as shown in FIG. 6; and,
FIG. 11 is an enlarged view of the encircled portion as shown in FIG. 6.
The broken lines depict portions of a camera in which the design is embodied and form no part of the claimed design. The dot-dash broken lines encircling an enlargement portion of the design form no part of the claimed design.

1 Claim, 7 Drawing Sheets

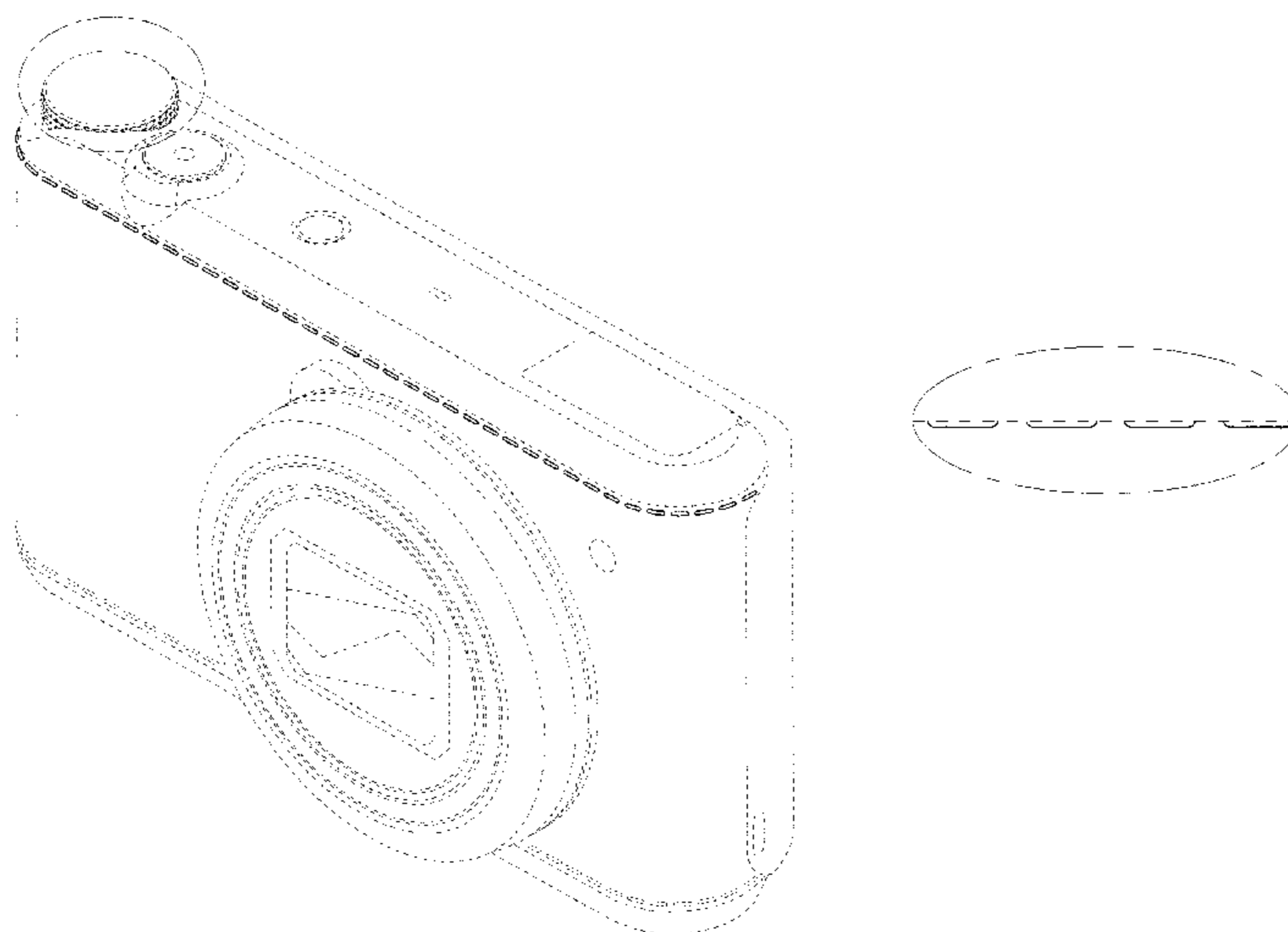


FIG.1

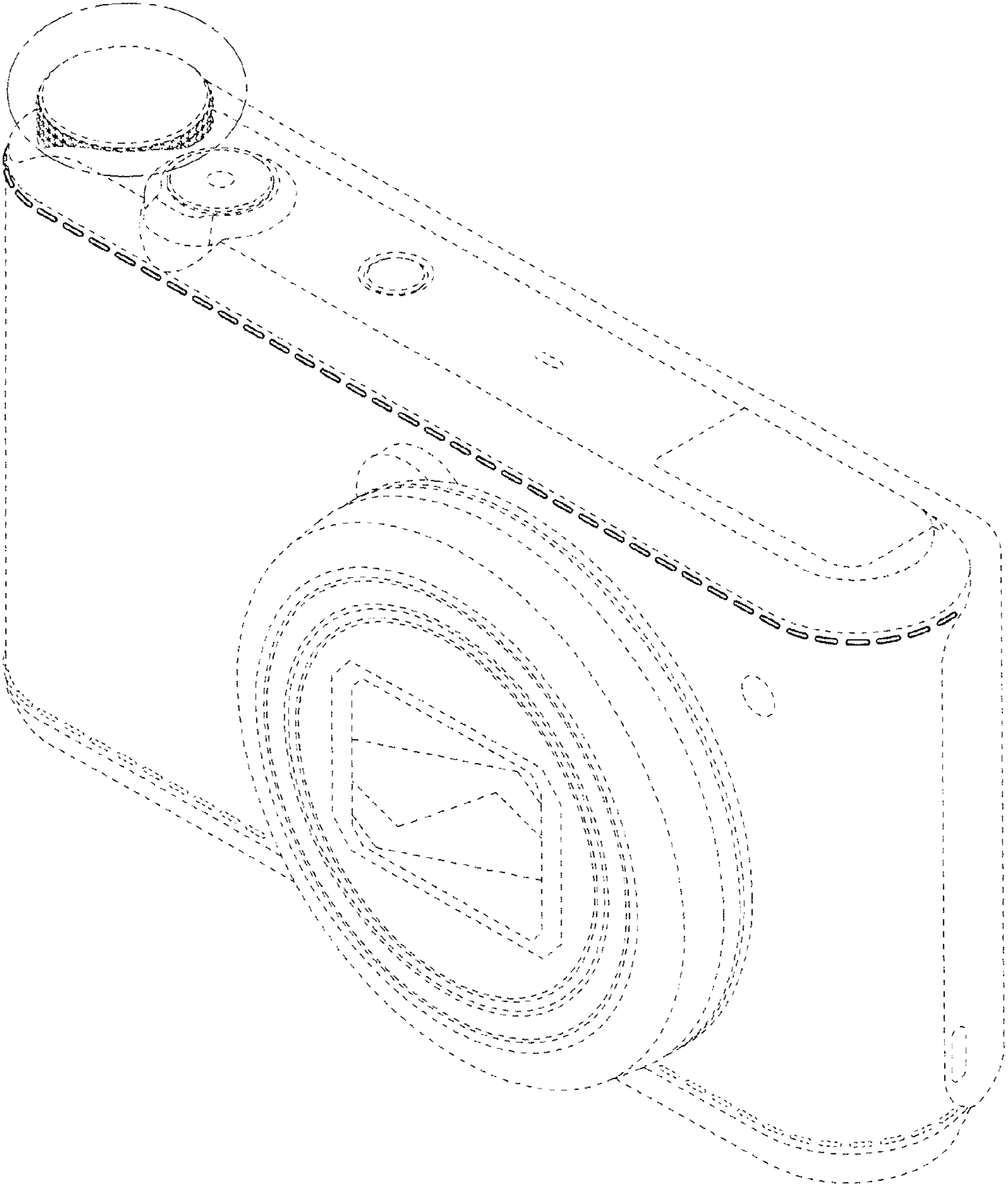


FIG.2

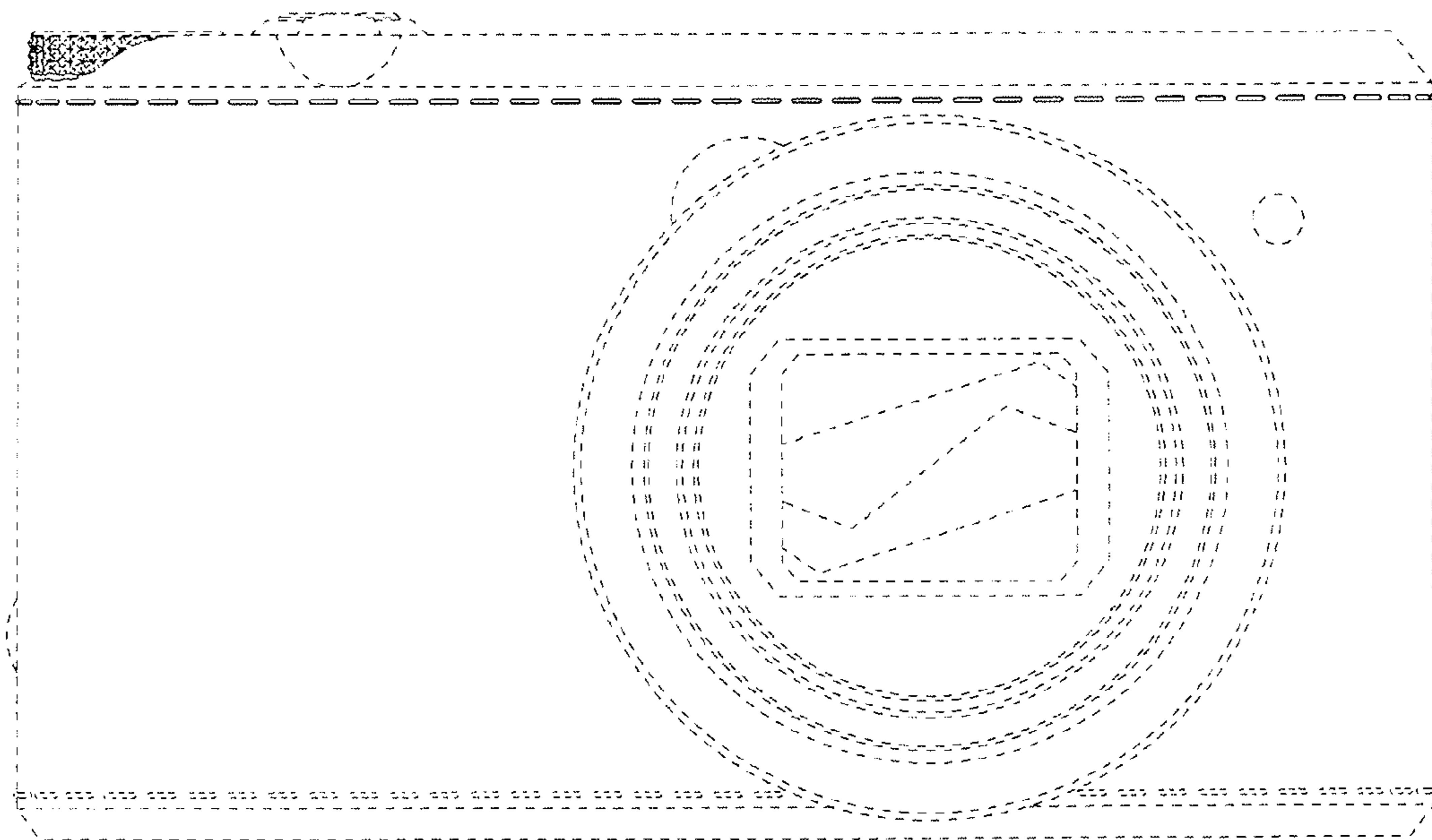


FIG.3

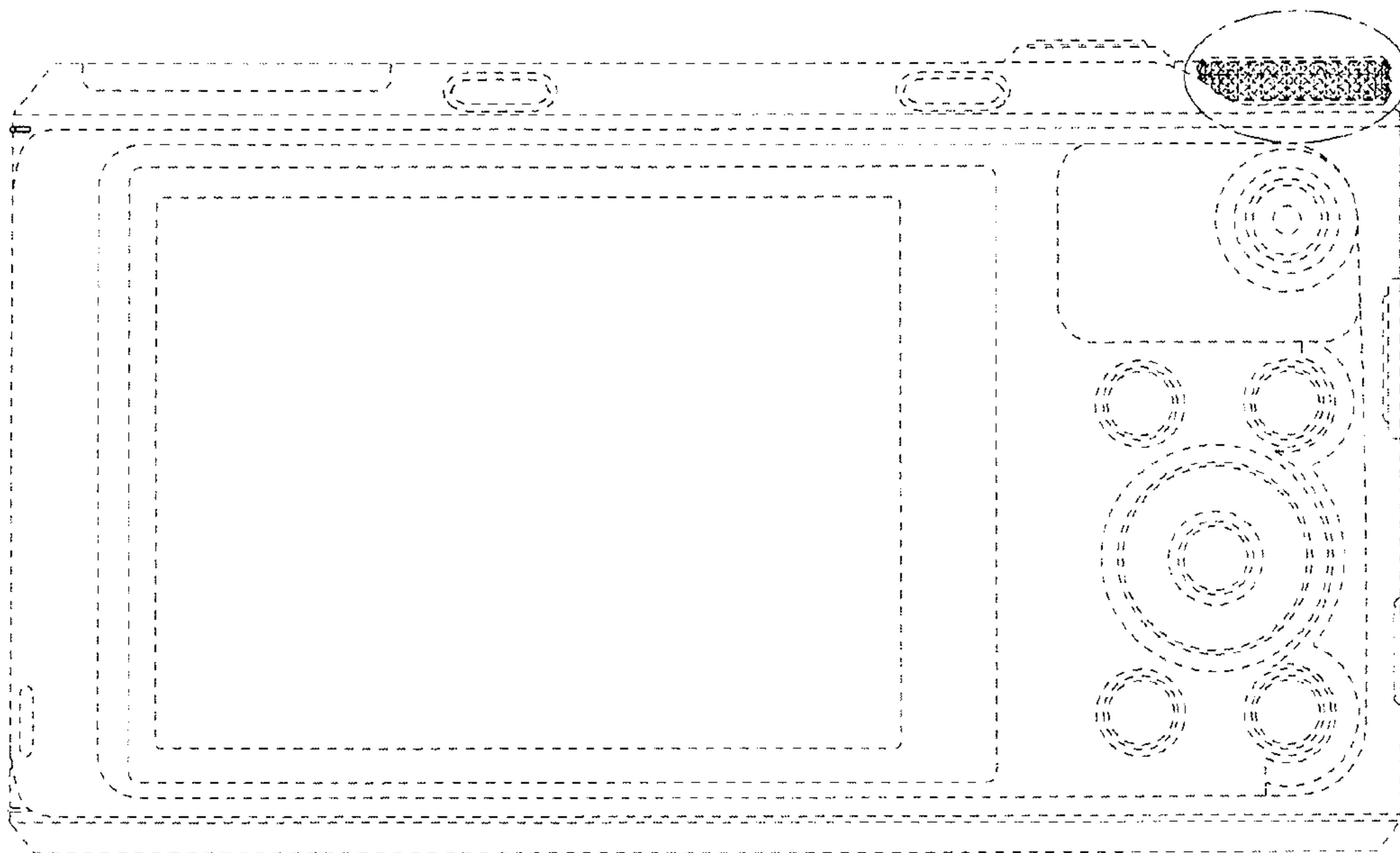


FIG.4

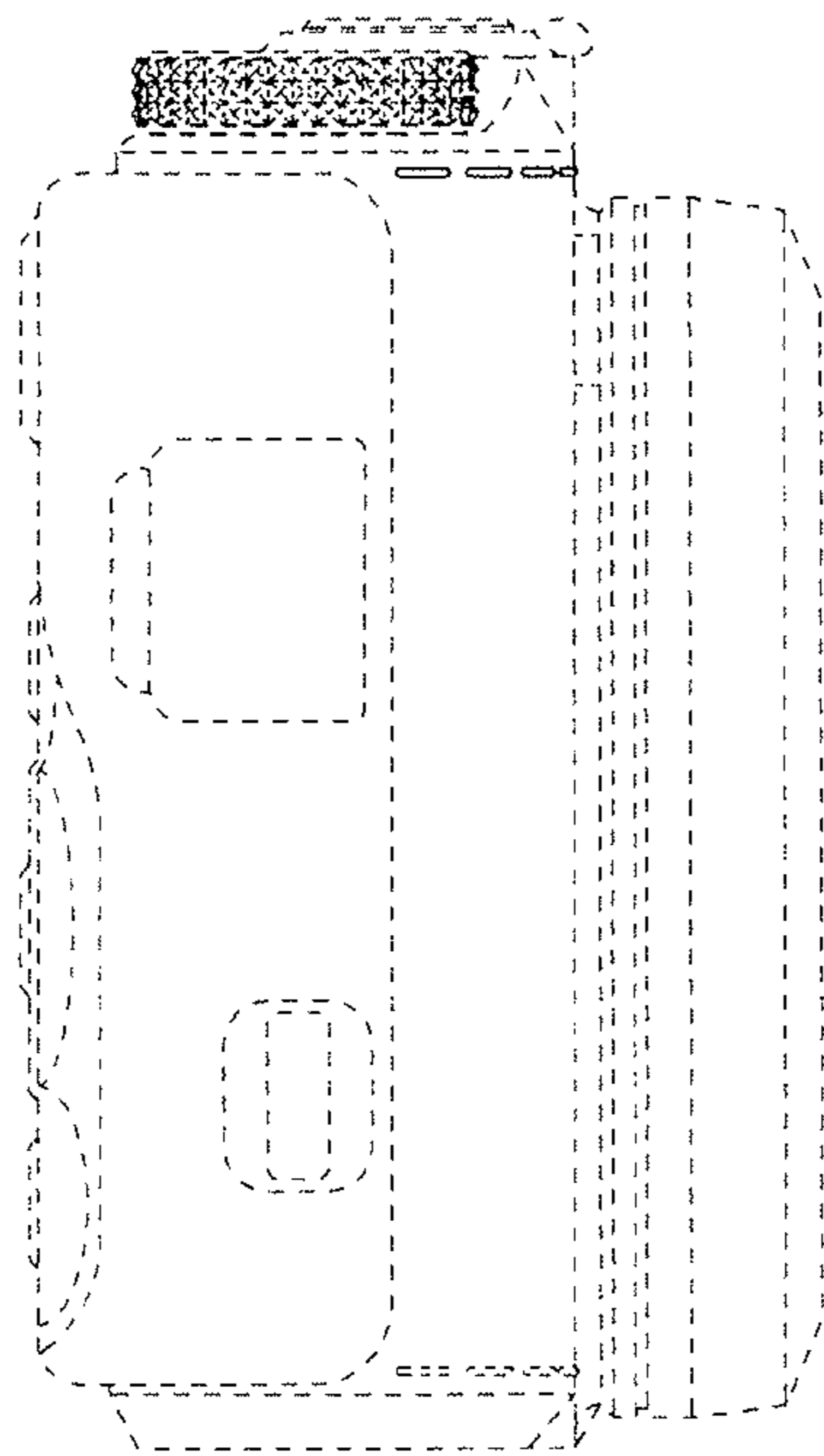


FIG.5

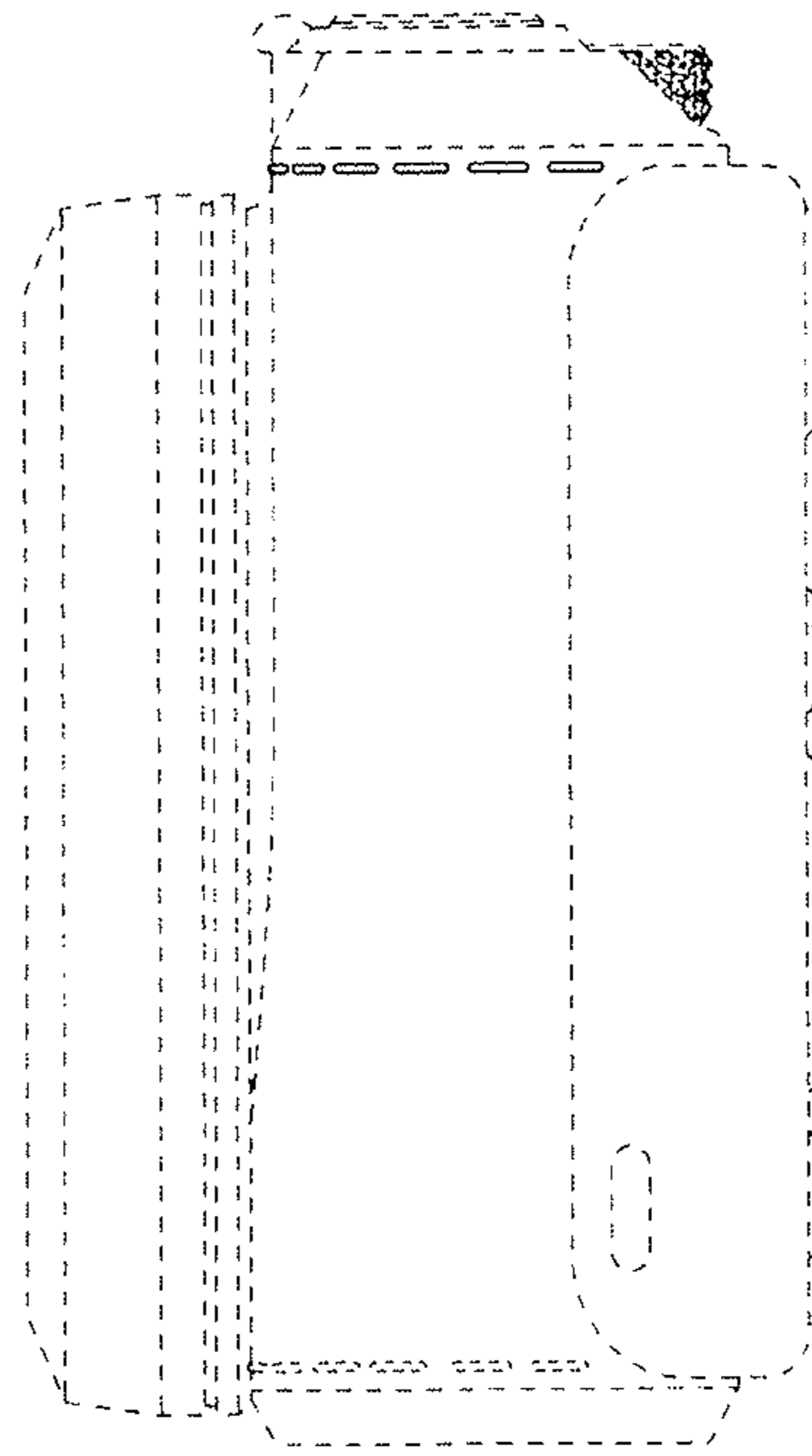


FIG.6

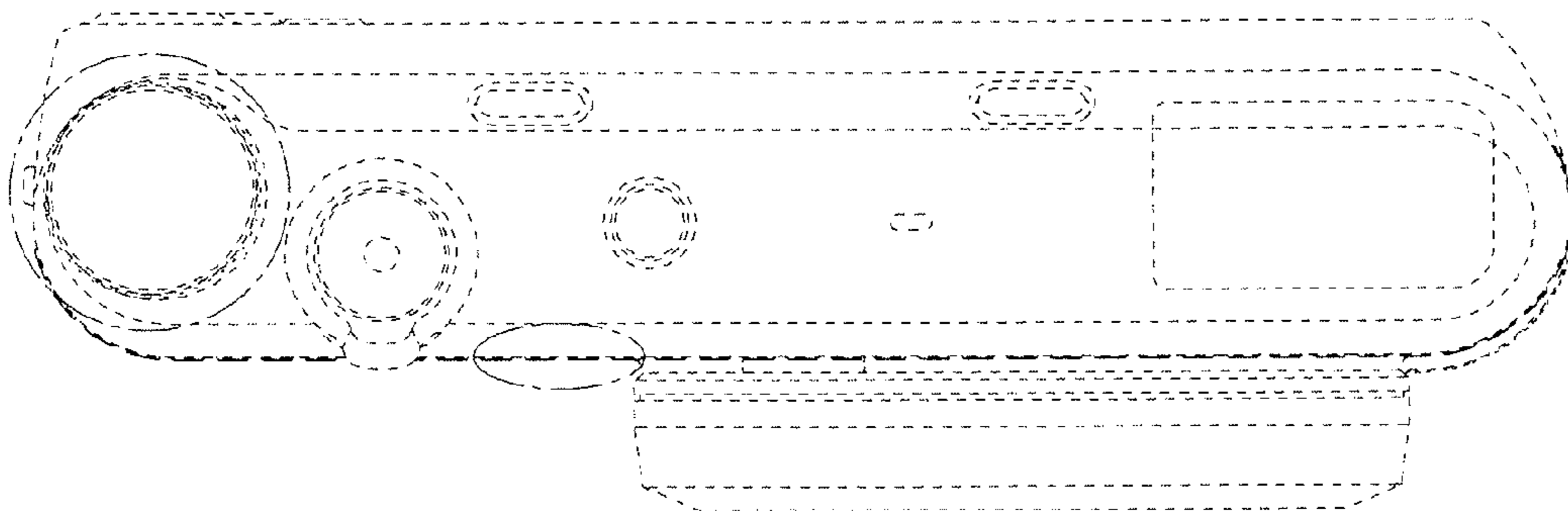


FIG.7

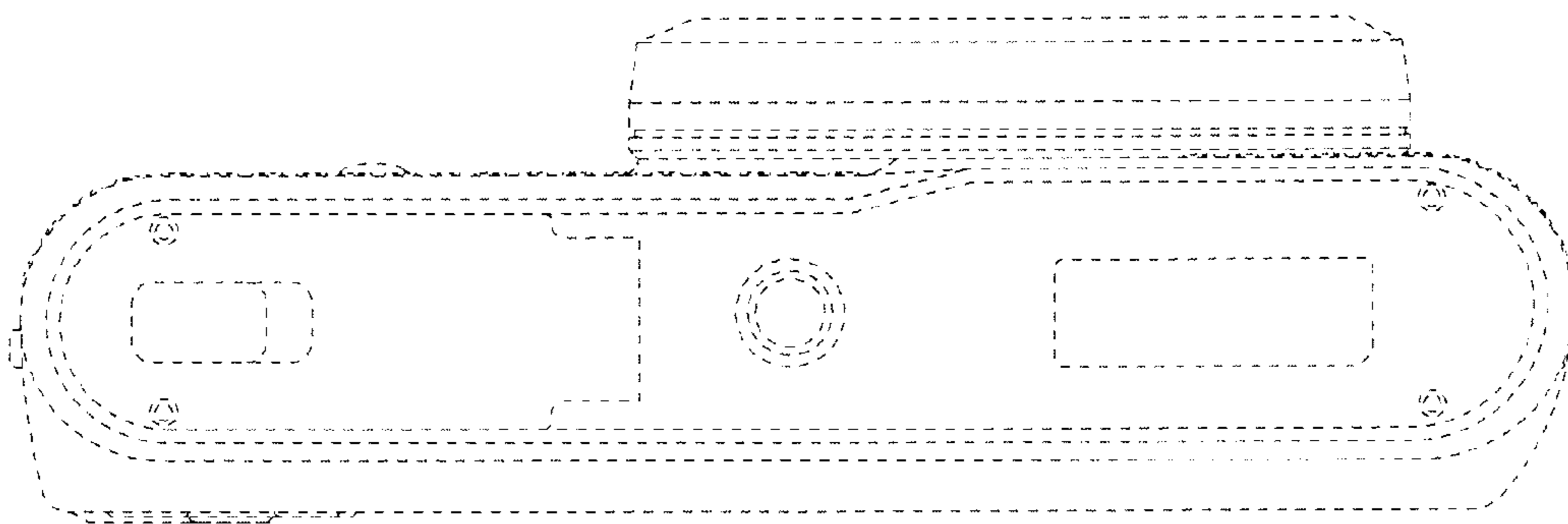


FIG.8

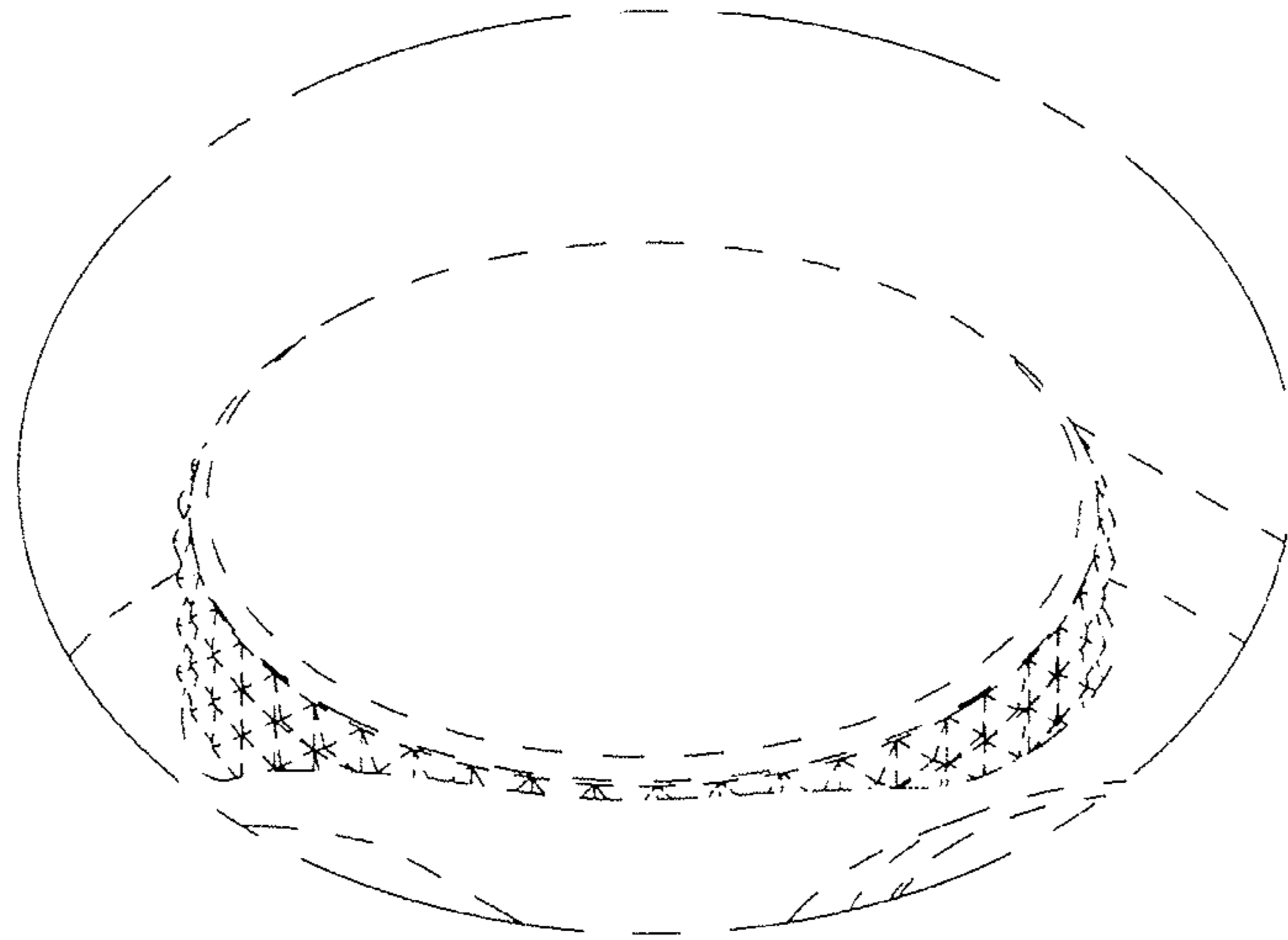


FIG.9

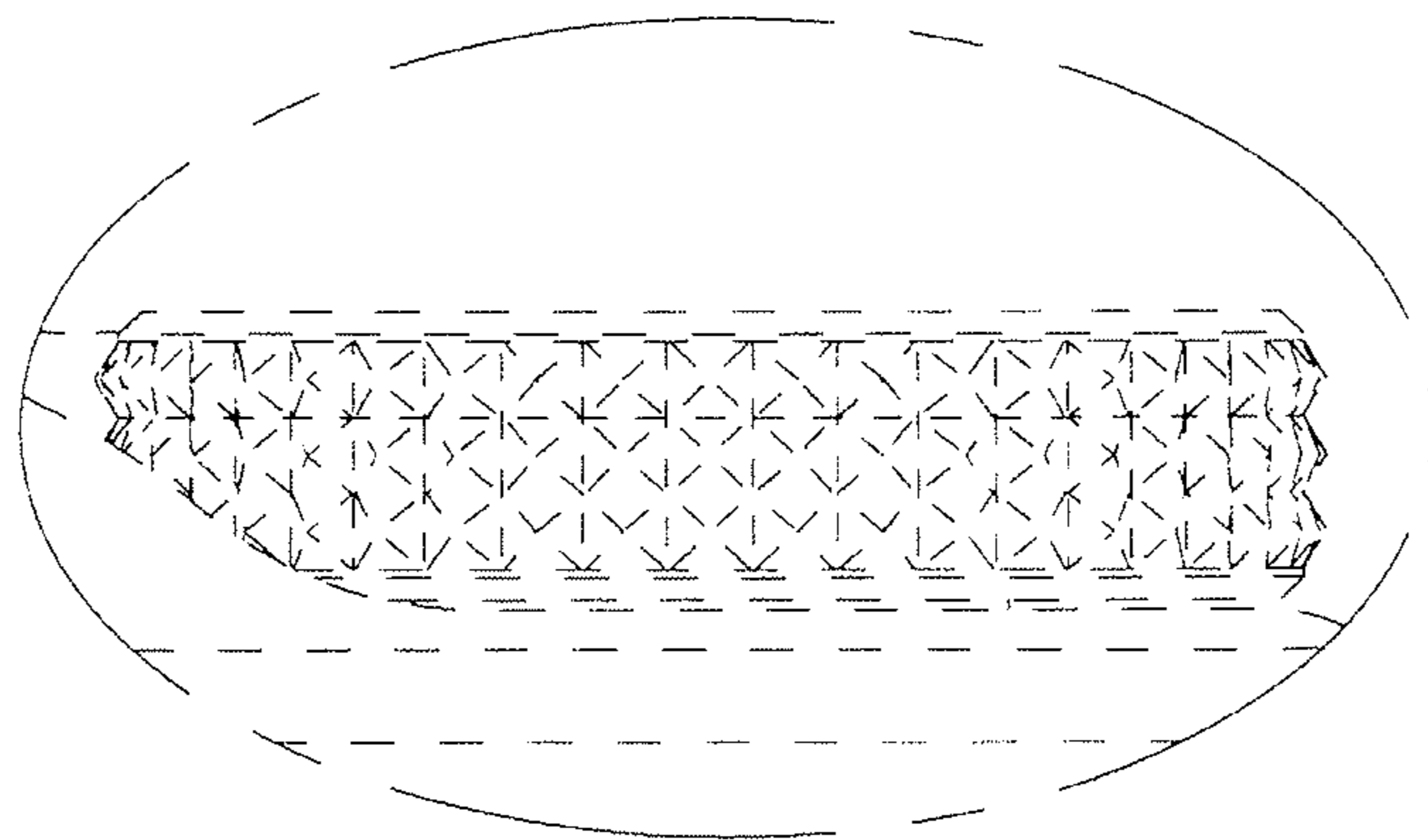


FIG.10

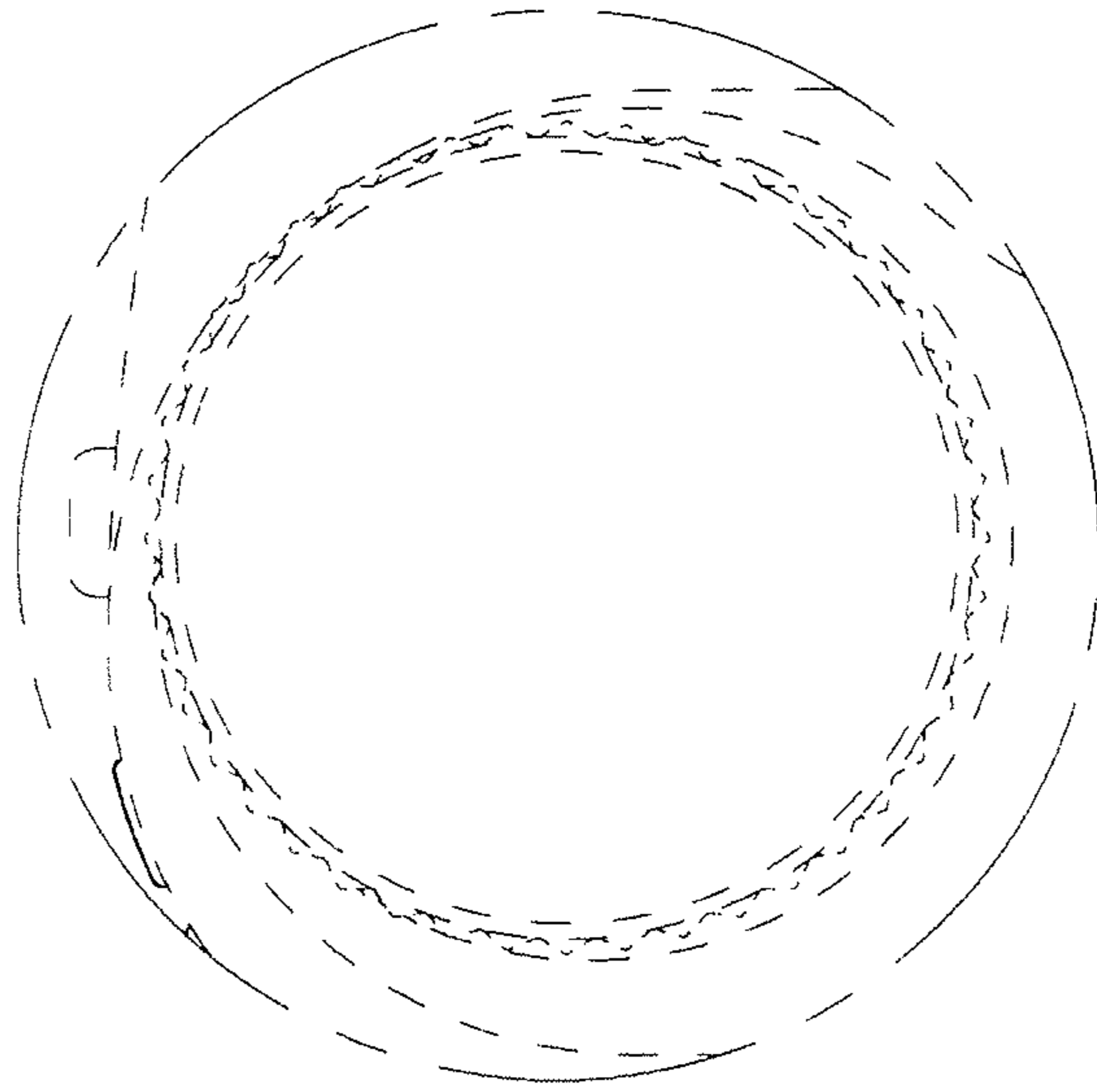


FIG.11

