



US00D774117S

(12) **United States Design Patent** (10) **Patent No.:** **US D774,117 S**  
**Wingerter et al.** (45) **Date of Patent:** **\*\* Dec. 13, 2016**

(54) **DRIVE SHAFT ASSEMBLY FOR A MUD MOTOR**

(71) Applicant: **Ironside, LLC**, Conroe, TX (US)

(72) Inventors: **Jack Wingerter**, Shenandoah, TX (US);  
**Rodney Wingerter**, Shenandoah, TX (US)

(73) Assignee: **Ironside, LLC**, Conroe, TX (US)

(\*\*) Term: **14 Years**

(21) Appl. No.: **29/526,712**

(22) Filed: **May 12, 2015**

(51) **LOC (10) Cl.** ..... **15-09**

(52) **U.S. Cl.**  
USPC ..... **D15/138**

(58) **Field of Classification Search**  
USPC ..... D15/138, 143, 148, 149; 464/19, 143  
See application file for complete search history.

(56) **References Cited**

U.S. PATENT DOCUMENTS

D266,521 S \* 10/1982 Gustafsson ..... D15/132  
4,556,400 A \* 12/1985 Krude ..... F16D 3/84  
277/636

(Continued)

OTHER PUBLICATIONS

International Search Report of the International Searching Authority (USPTO) for international application PCT/US2015/030430 dated Aug. 11, 2015.

(Continued)

Primary Examiner — Patricia Palasik

(74) *Attorney, Agent, or Firm* — Basil M. Angelo; Angelo Mikeska PLLC

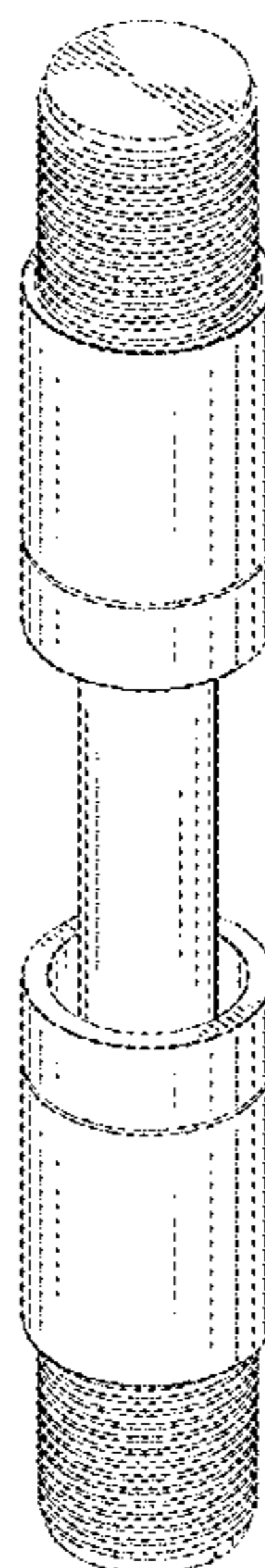
(57) **CLAIM**

The ornamental design for a drive shaft assembly for a mud motor, as shown and described.

**DESCRIPTION**

FIG. 1 shows an exploded view of a drive shaft assembly for a mud motor showing our new design.  
FIG. 2 shows a perspective view of an assembled drive shaft assembly for a mud motor showing our new design;  
FIG. 3 shows a side view thereof;  
FIG. 4 shows a top view thereof; and  
FIG. 5 shows a bottom view thereof.  
FIG. 6 shows a drive shaft removed for clarity of disclosure as part of a drive shaft assembly for a mud motor showing our new design;  
FIG. 7 shows a perspective view thereof;  
FIG. 8 shows a side view thereof;  
FIG. 9 shows a top view thereof; and  
FIG. 10 shows a bottom view thereof.  
FIG. 11 shows an adapter removed for clarity of disclosure as part of a drive shaft assembly for a mud motor showing our new design;  
FIG. 12 shows a top perspective view thereof;  
FIG. 13 shows a side view thereof;  
FIG. 14 shows a top view thereof; and  
FIG. 15 shows a bottom view thereof.  
FIG. 16 shows an adapter cap removed for clarity of disclosure as part of a drive shaft assembly for a mud motor showing our new design;  
FIG. 17 shows a top perspective view thereof;  
FIG. 18 shows a bottom perspective view thereof;  
FIG. 19 shows a side view thereof;  
FIG. 20 shows a top view thereof; and  
FIG. 21 shows a bottom view thereof.  
The broken lines in the drawings depict unclaimed environmental subject matter.

**1 Claim, 6 Drawing Sheets**



(56)

**References Cited**

U.S. PATENT DOCUMENTS

4,560,300 A \* 12/1985 Vollmer ..... F16D 1/116  
403/11  
D282,666 S \* 2/1986 Salmi ..... D15/138  
4,685,895 A \* 8/1987 Hatten ..... E21B 7/04  
175/325.2  
4,792,315 A \* 12/1988 Karrasch ..... B63H 21/28  
440/83  
5,007,491 A \* 4/1991 Ide ..... F16D 3/38  
175/107  
5,203,740 A \* 4/1993 Okuzumi ..... F16F 15/322  
464/180  
5,601,494 A \* 2/1997 Duggan ..... F16C 3/026  
464/182  
6,949,025 B1 9/2005 Kraus et al.  
7,048,600 B1 \* 5/2006 Broussard ..... B63H 20/00  
440/53  
8,033,917 B2 \* 10/2011 Prill ..... E21B 4/02  
29/428  
8,062,140 B2 \* 11/2011 Wall ..... E21B 17/03  
175/107

8,102,276 B2 \* 1/2012 Sugiura ..... G01V 11/002  
166/380  
D657,399 S \* 4/2012 Nemoto ..... D15/143  
8,342,970 B2 \* 1/2013 Altimas ..... E21B 4/003  
464/120  
8,383,559 B2 \* 2/2013 Setlur ..... B82Y 30/00  
175/227  
D696,703 S \* 12/2013 Tsai ..... D15/138  
8,752,647 B1 \* 6/2014 Watson ..... E21B 4/003  
175/107  
9,404,527 B2 \* 8/2016 Marchard ..... F16C 1/04  
2009/0275415 A1 \* 11/2009 Prill ..... E21B 4/02  
464/152

OTHER PUBLICATIONS

Written Opinion of the International Searching Authority (USPTO)  
for international application PCT/US2015/030430 dated Aug. 11,  
2015.

\* cited by examiner

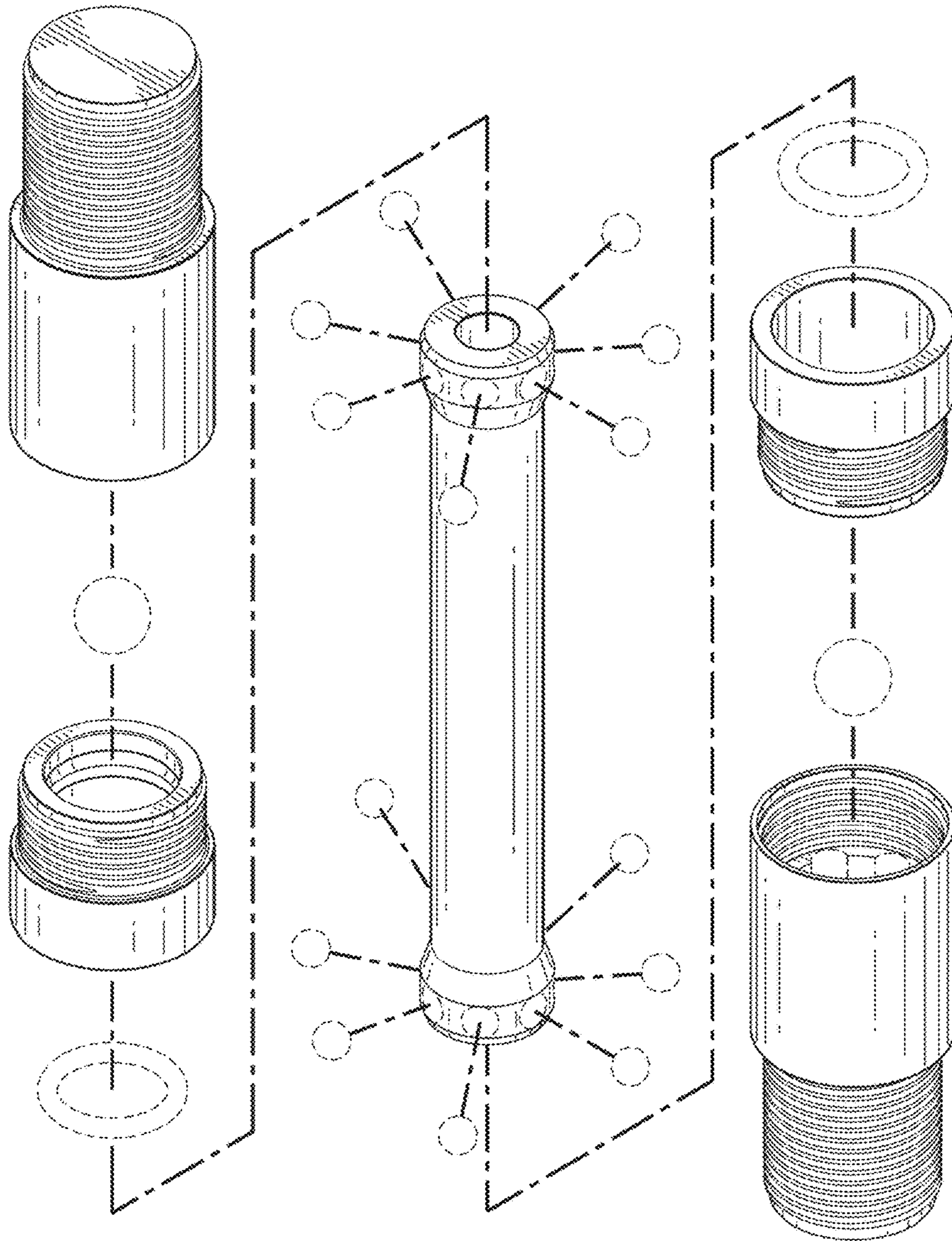


FIG. 1

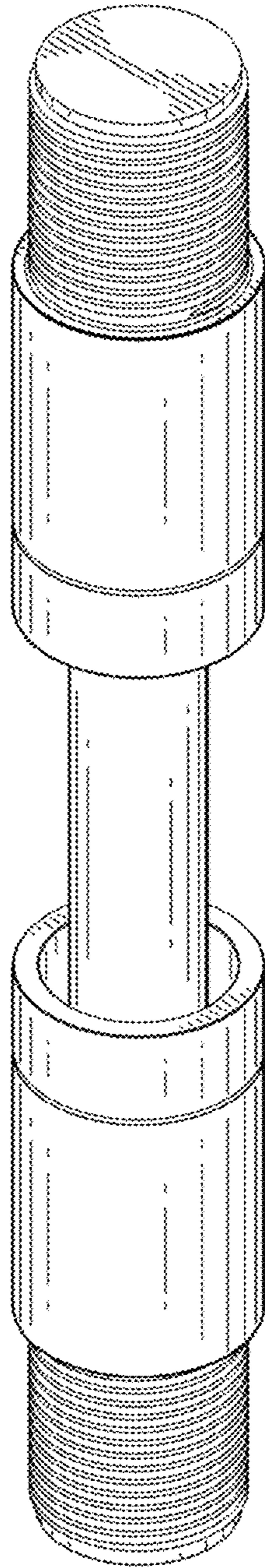
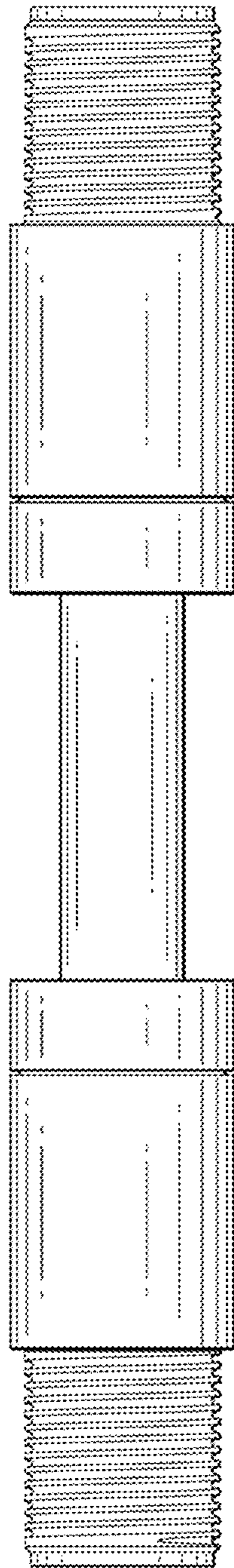
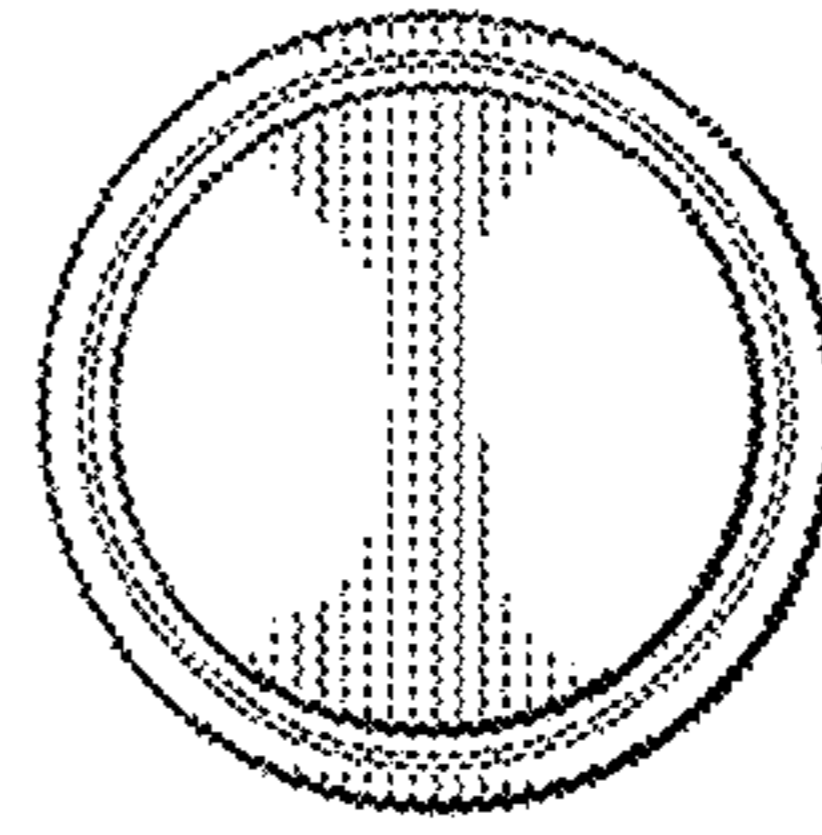


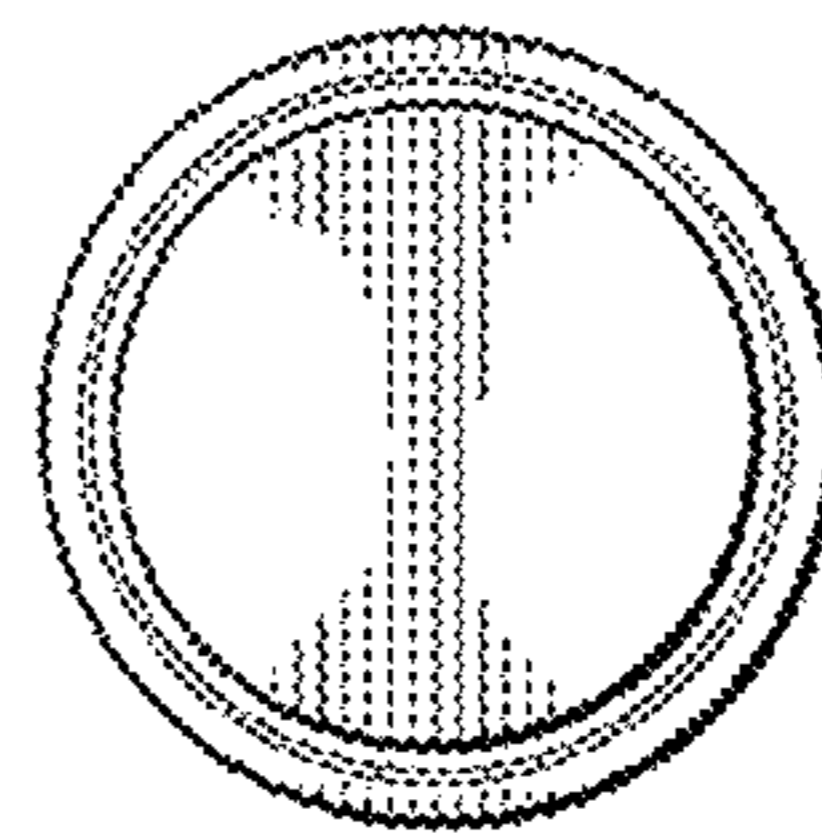
FIG. 2



**FIG. 3**



**FIG. 4**



**FIG. 5**

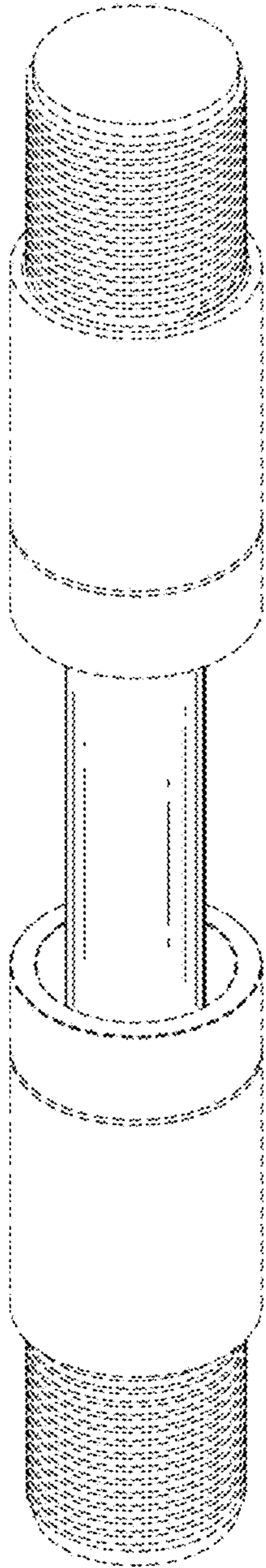


FIG. 6

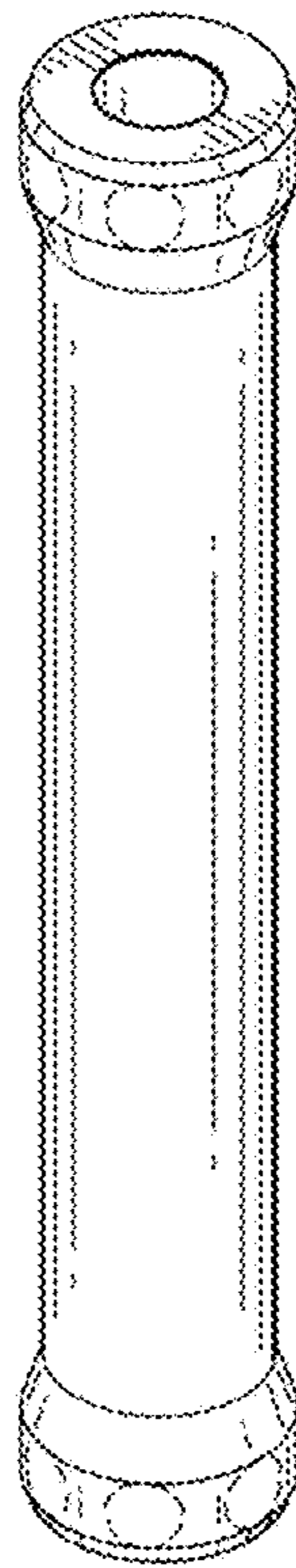


FIG. 7

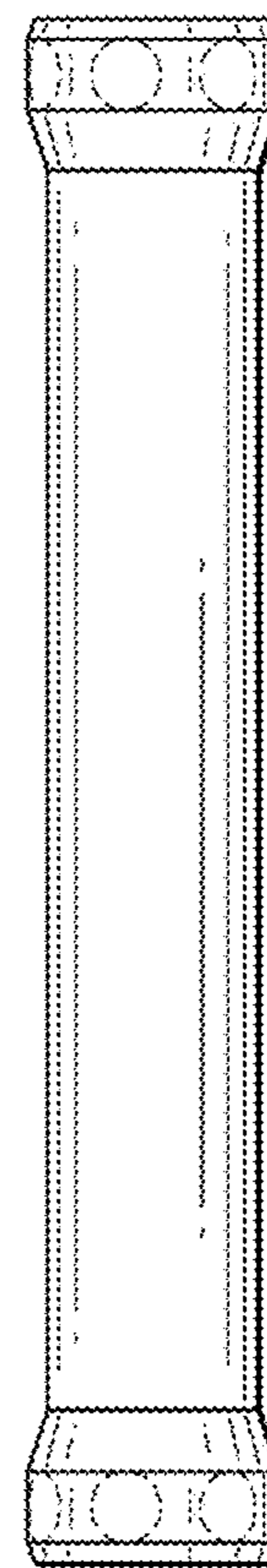


FIG. 8

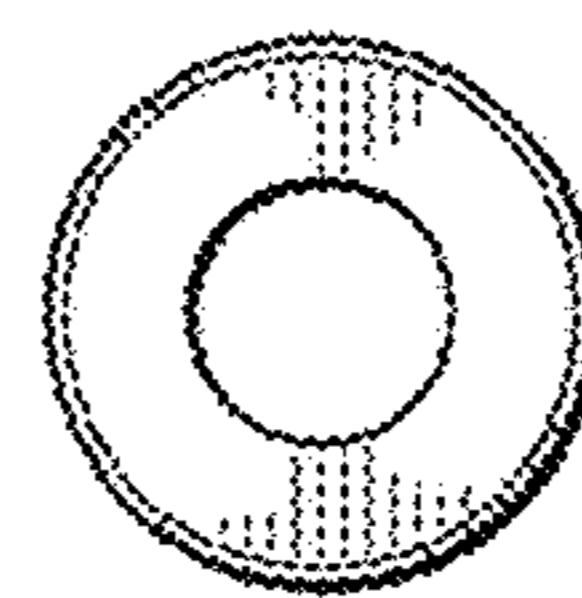


FIG. 9

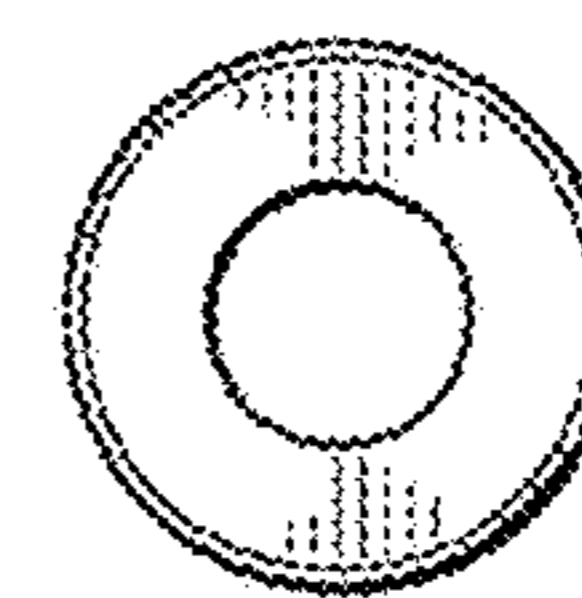


FIG. 10

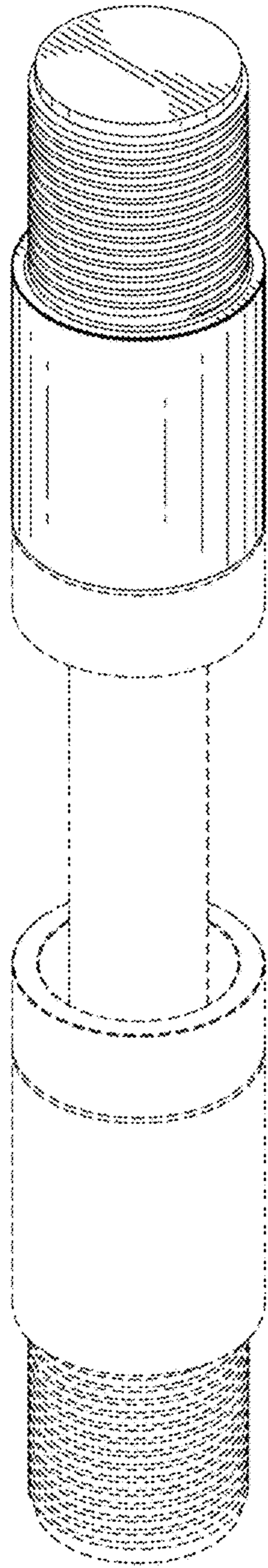


FIG. 11

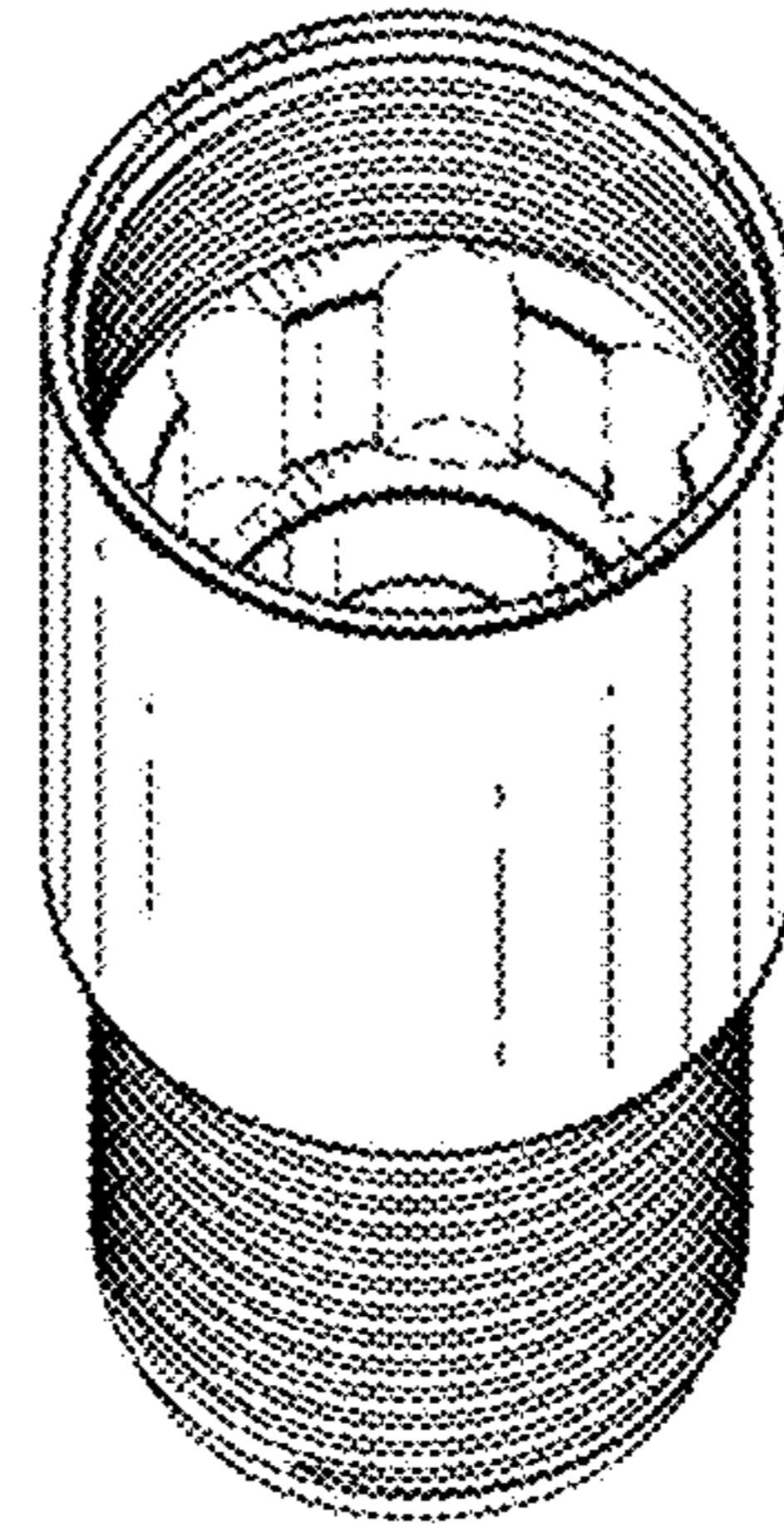


FIG. 12

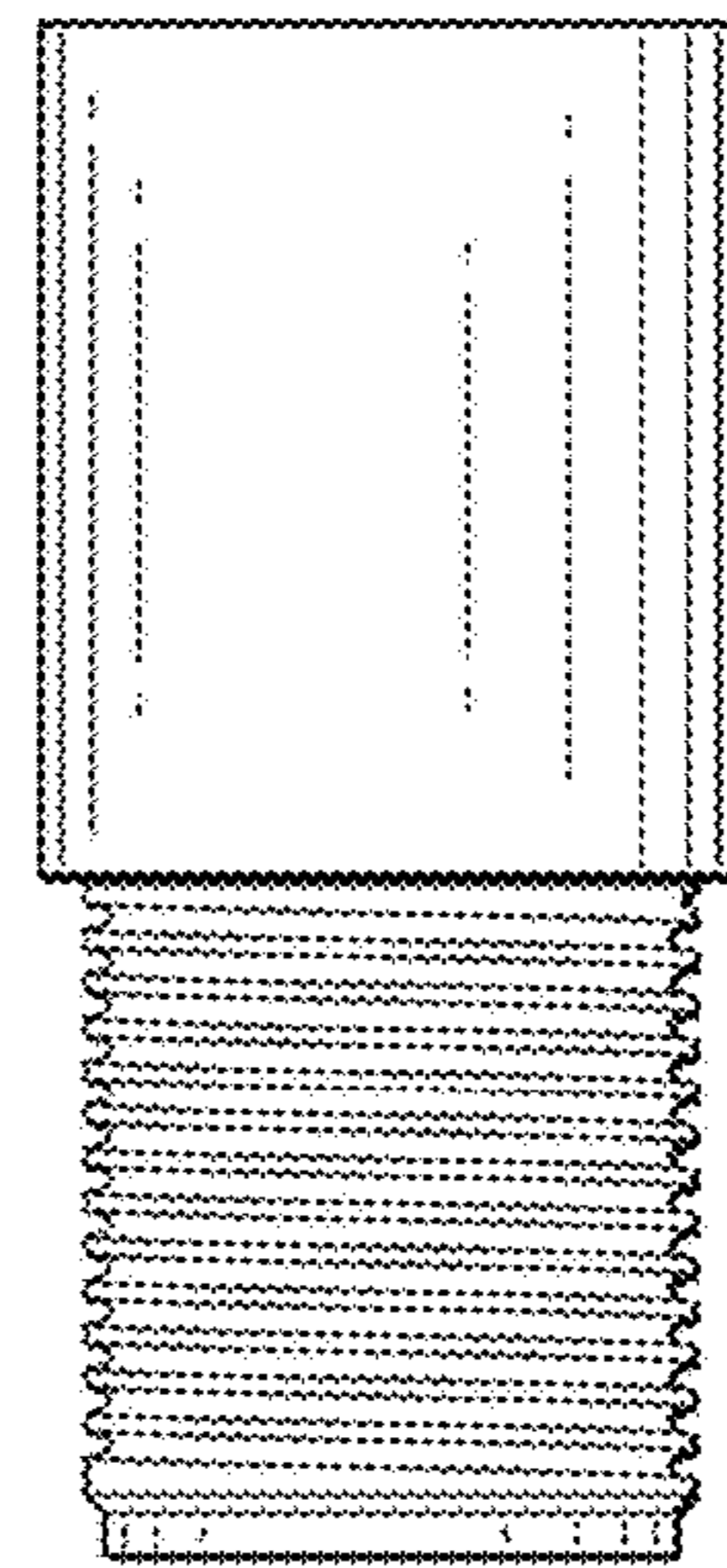


FIG. 13

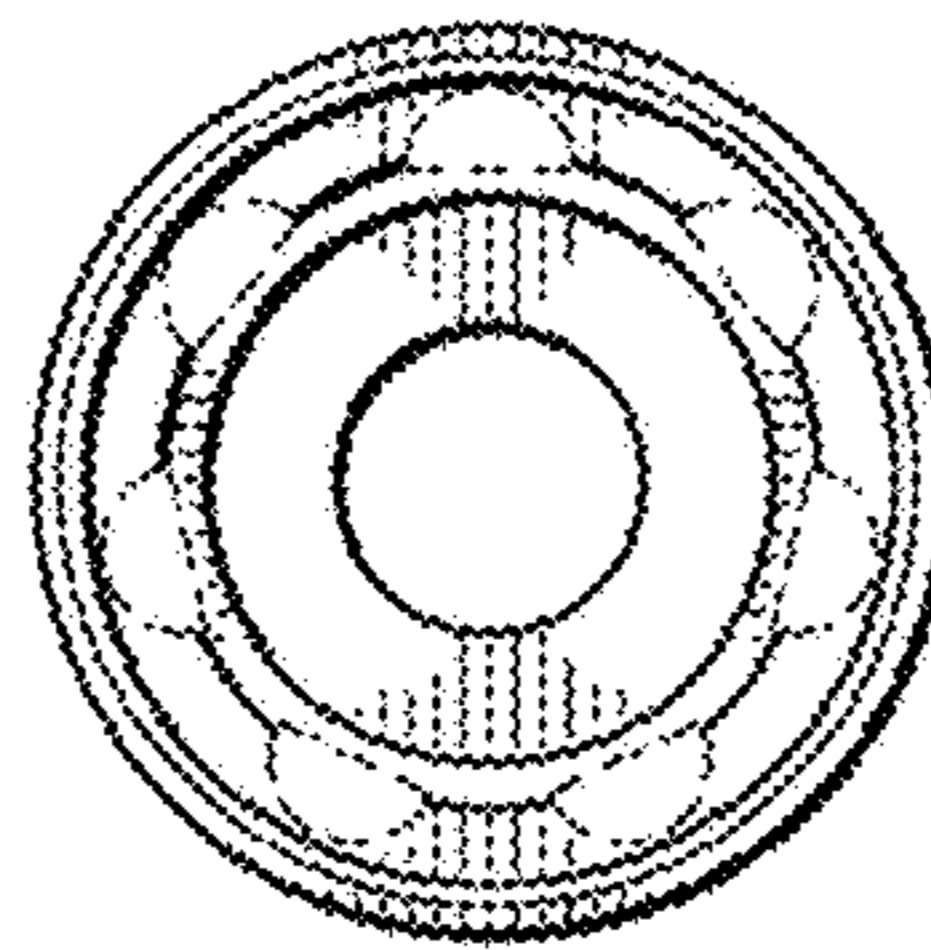


FIG. 14

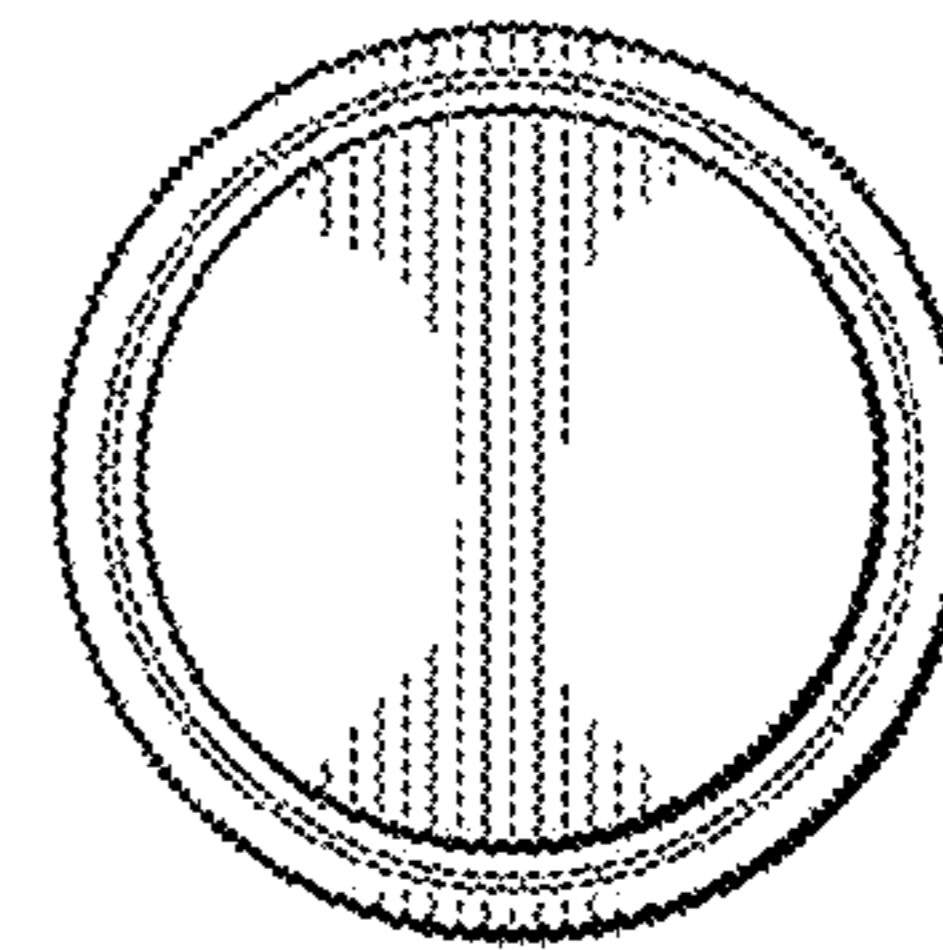


FIG. 15

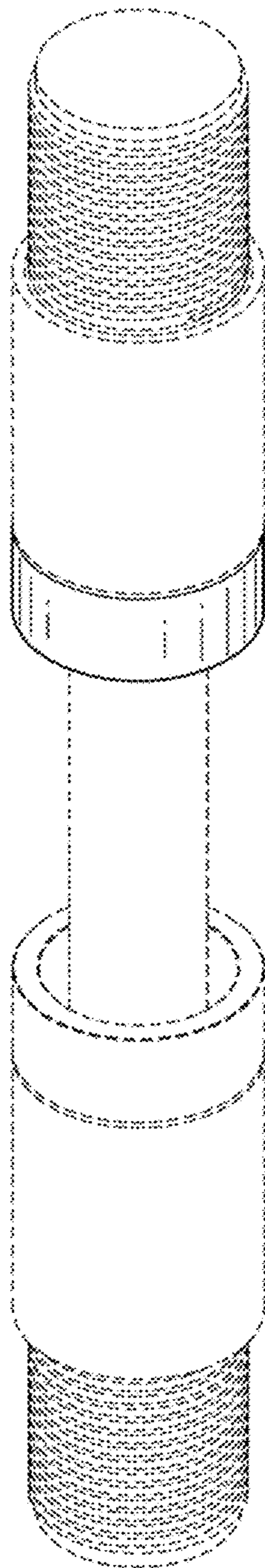


FIG. 16

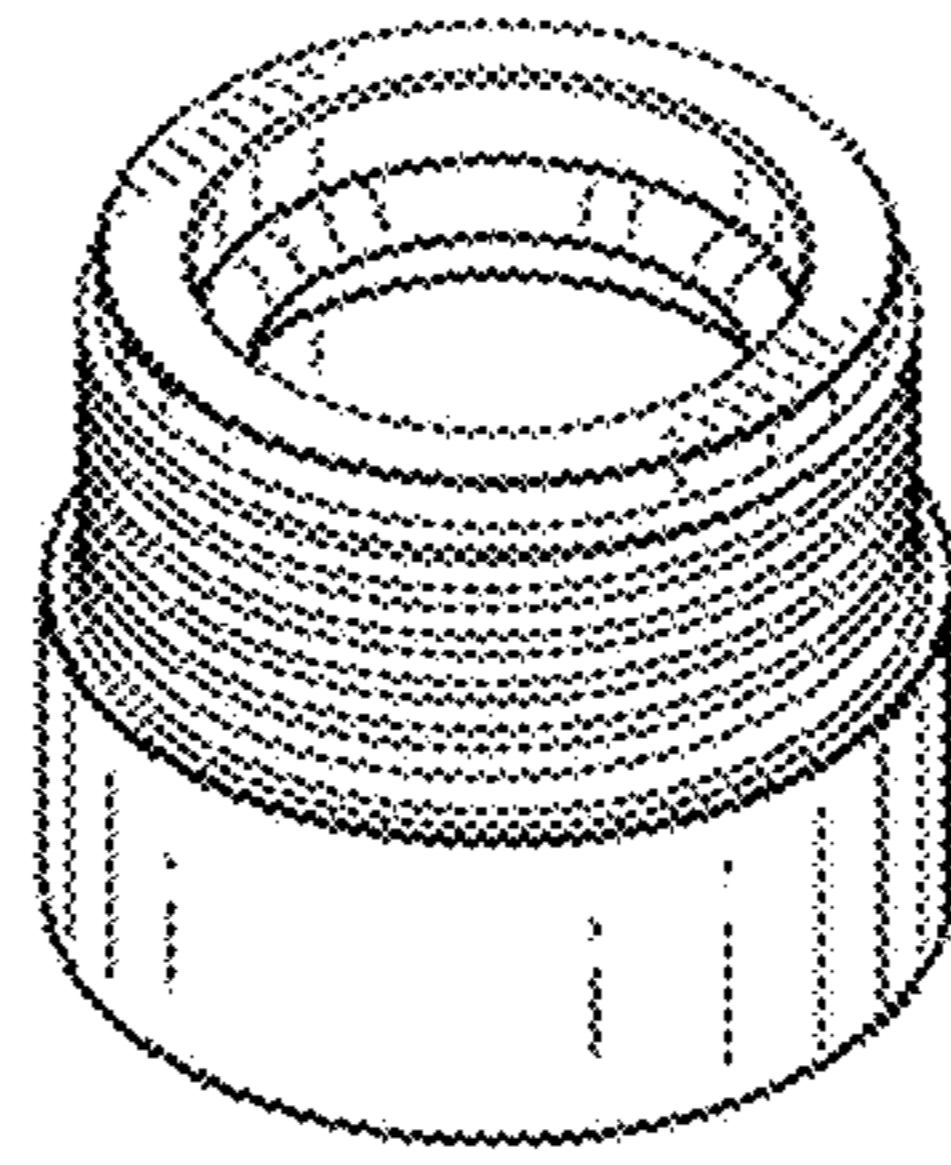


FIG. 17

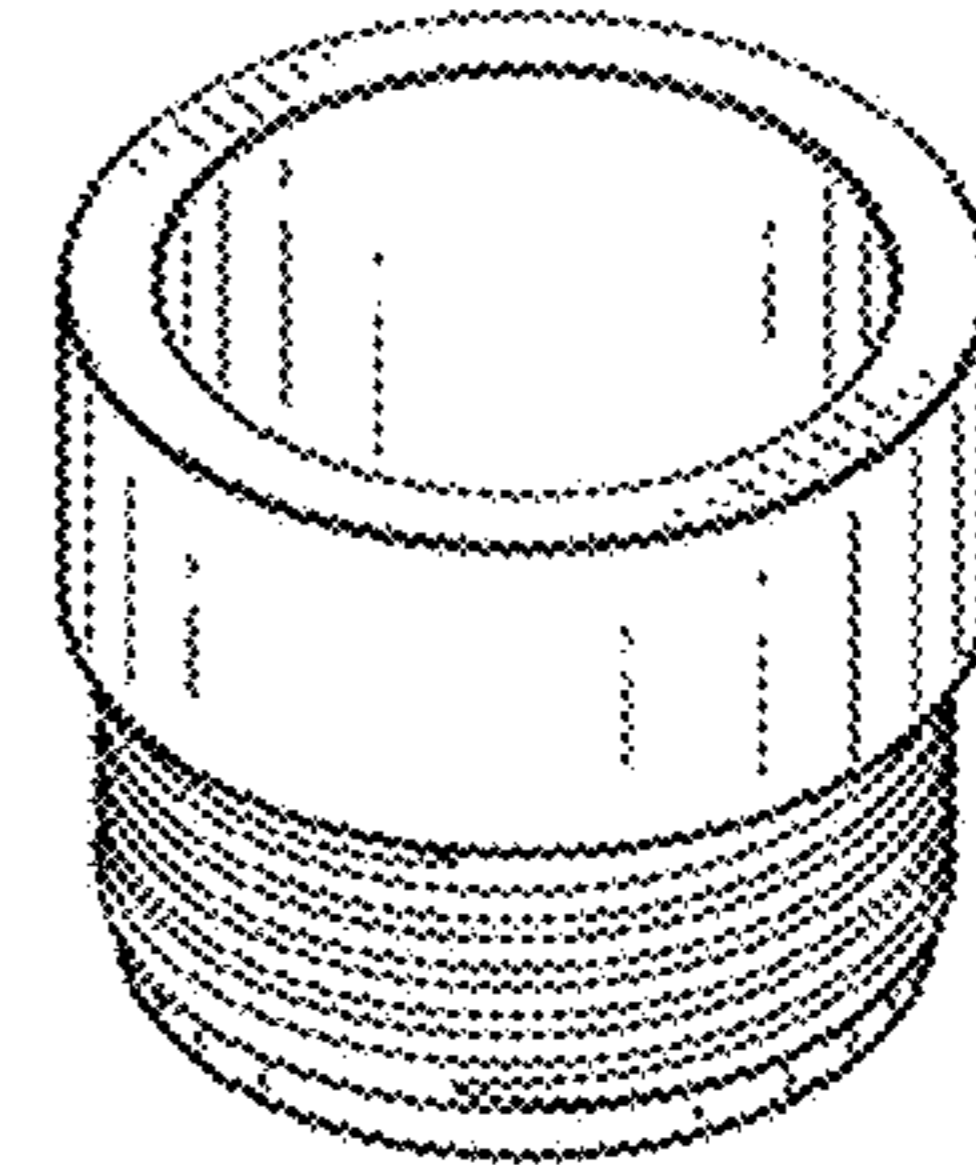


FIG. 18

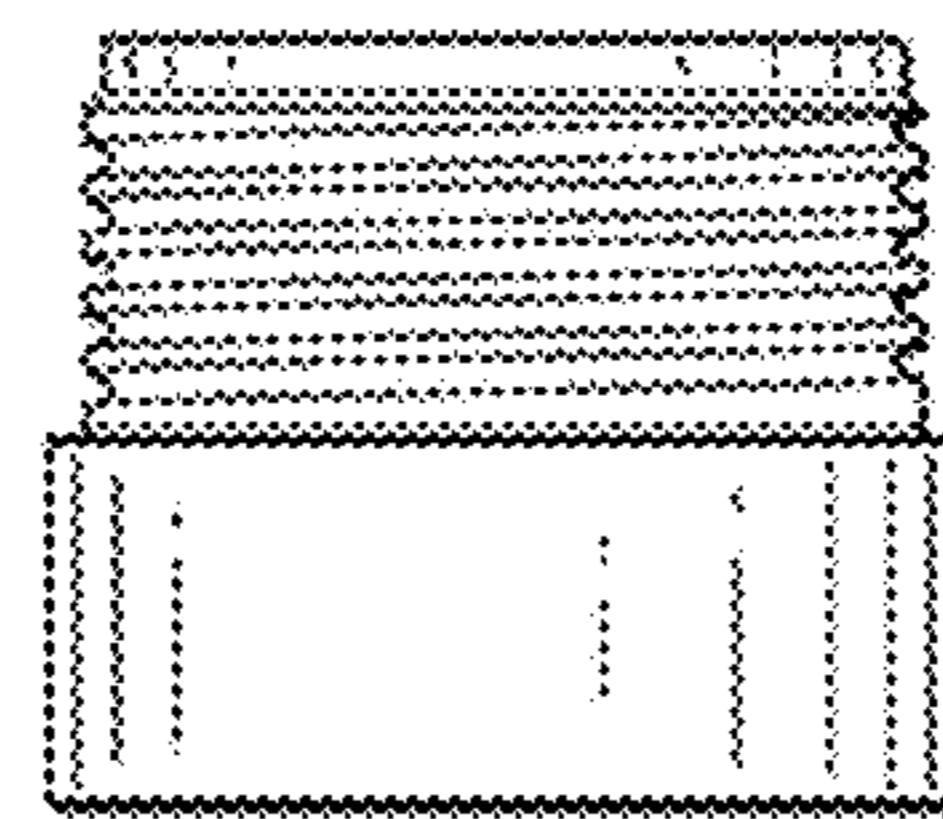


FIG. 19

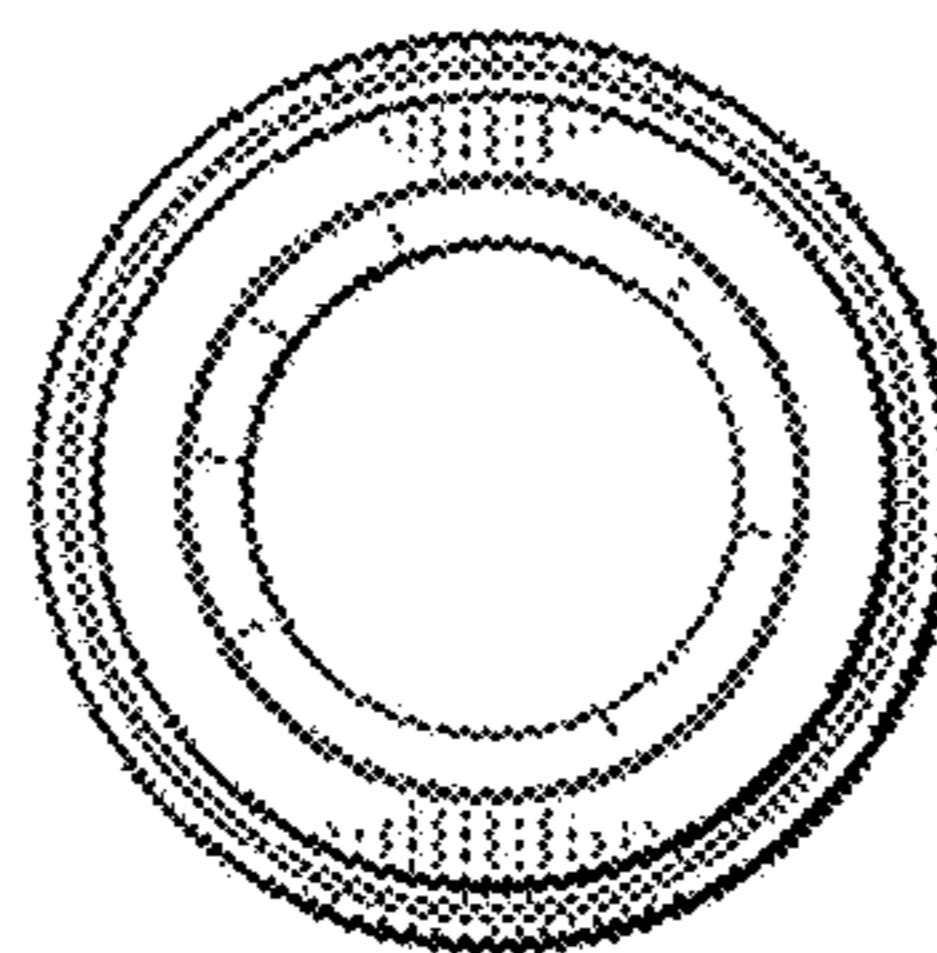


FIG. 20

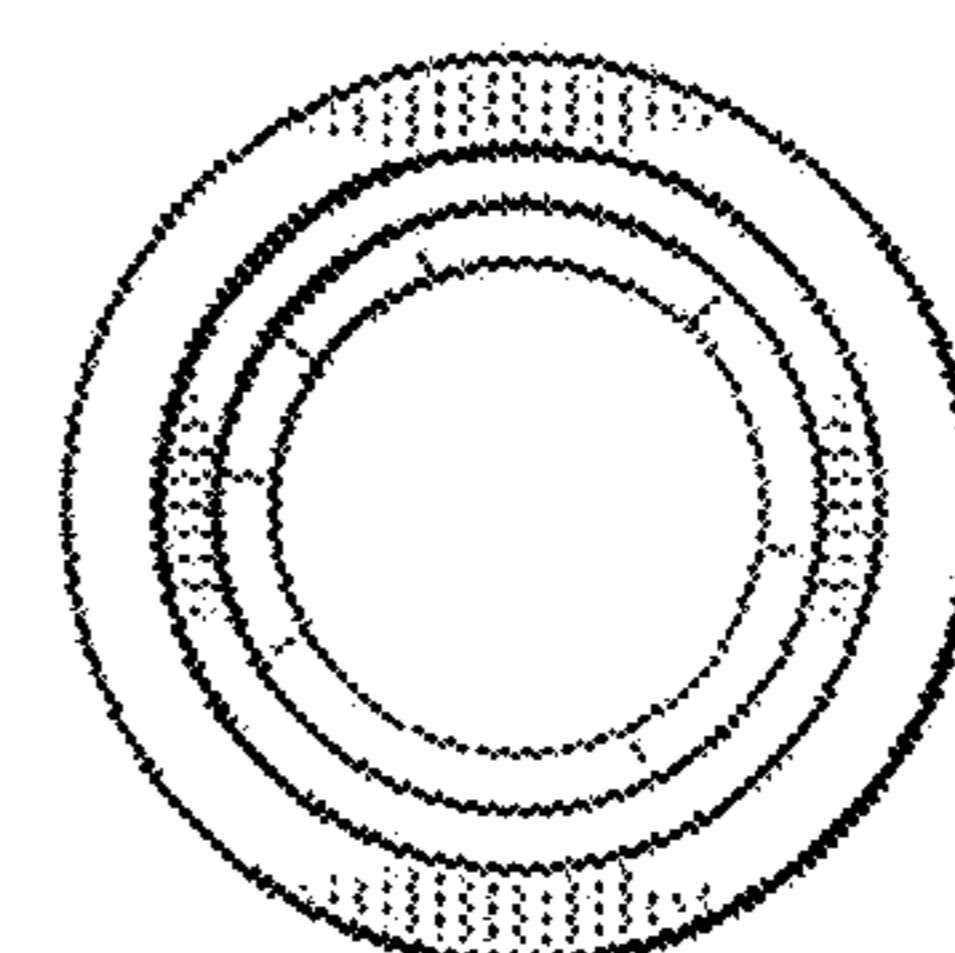


FIG. 21