



US00D774116S

(12) **United States Design Patent** (10) **Patent No.:** **US D774,116 S**  
**Norman et al.** (45) **Date of Patent:** **\*\* Dec. 13, 2016**

(54) **PLURAL COMPONENT PROPORTIONER**

(71) Applicant: **Graco Minnesota Inc.**, Minneapolis, MN (US)

(72) Inventors: **Shane A. Norman**, St. Francis, MN (US); **Brian M. Sanders**, St. Louis Park, MN (US); **Arthur T. Graf**, Roseville, MN (US)

(73) Assignee: **Graco Minnesota Inc.**, Minneapolis, MN (US)

(\*\*) Term: **15 Years**

(21) Appl. No.: **29/527,839**

(22) Filed: **May 22, 2015**

(51) **LOC (10) Cl.** ..... **15-09**

(52) **U.S. Cl.**  
USPC ..... **D15/135**

(58) **Field of Classification Search**  
USPC ..... D15/7-9, 122, 124, 135, 136, 199;  
D23/213, 225

See application file for complete search history.

(56) **References Cited**

**U.S. PATENT DOCUMENTS**

- 6,896,152 B2 \* 5/2005 Pittman ..... B01F 13/1055  
222/135
- D661,714 S 6/2012 Waterhouse et al.
- D662,516 S \* 6/2012 Pellin ..... D15/7
- D685,825 S \* 7/2013 Hoelbl ..... D15/122
- 8,568,104 B2 \* 10/2013 McCormick ..... G05D 11/005  
222/55
- D703,709 S \* 4/2014 Tix ..... D15/135
- D703,710 S \* 4/2014 Tix ..... D15/135
- D704,236 S \* 5/2014 Tix ..... D15/135
- D713,865 S 9/2014 Anderson et al.
- 8,851,111 B2 \* 10/2014 Pittman ..... B01F 15/00155  
137/565.33
- D734,832 S \* 7/2015 Velgersdyk ..... D23/225

- 2003/0015547 A1 \* 1/2003 Pittman ..... B01F 13/1055  
222/63
- 2006/0071022 A1 \* 4/2006 McCormick ..... G05D 11/005  
222/135
- 2006/0144447 A1 \* 7/2006 Pittman ..... B01F 15/00155  
137/565.29

**OTHER PUBLICATIONS**

- Graco Inc. Brochure on Fast-Set Plural-Component Equipment, revised Jul. 2009.
- Polyurethane Machinery Corporation Brochure on Hydraulic Proportioners pulled from internet, pdf created Jan. 14, 2014.
- Gusmer Machinery Group H 20/35 PRO Brochure, copyright Dec. 2004.
- Gusmer Machinery Group H 20/35 PRO-TEC Brochure, copyright Jan. 2005.
- Gusmer Machinery Group HV 20/35 Brochure, copyright Aug. 2004.

\* cited by examiner

*Primary Examiner* — Patricia Palasik  
(74) *Attorney, Agent, or Firm* — Douglas B. Farrow

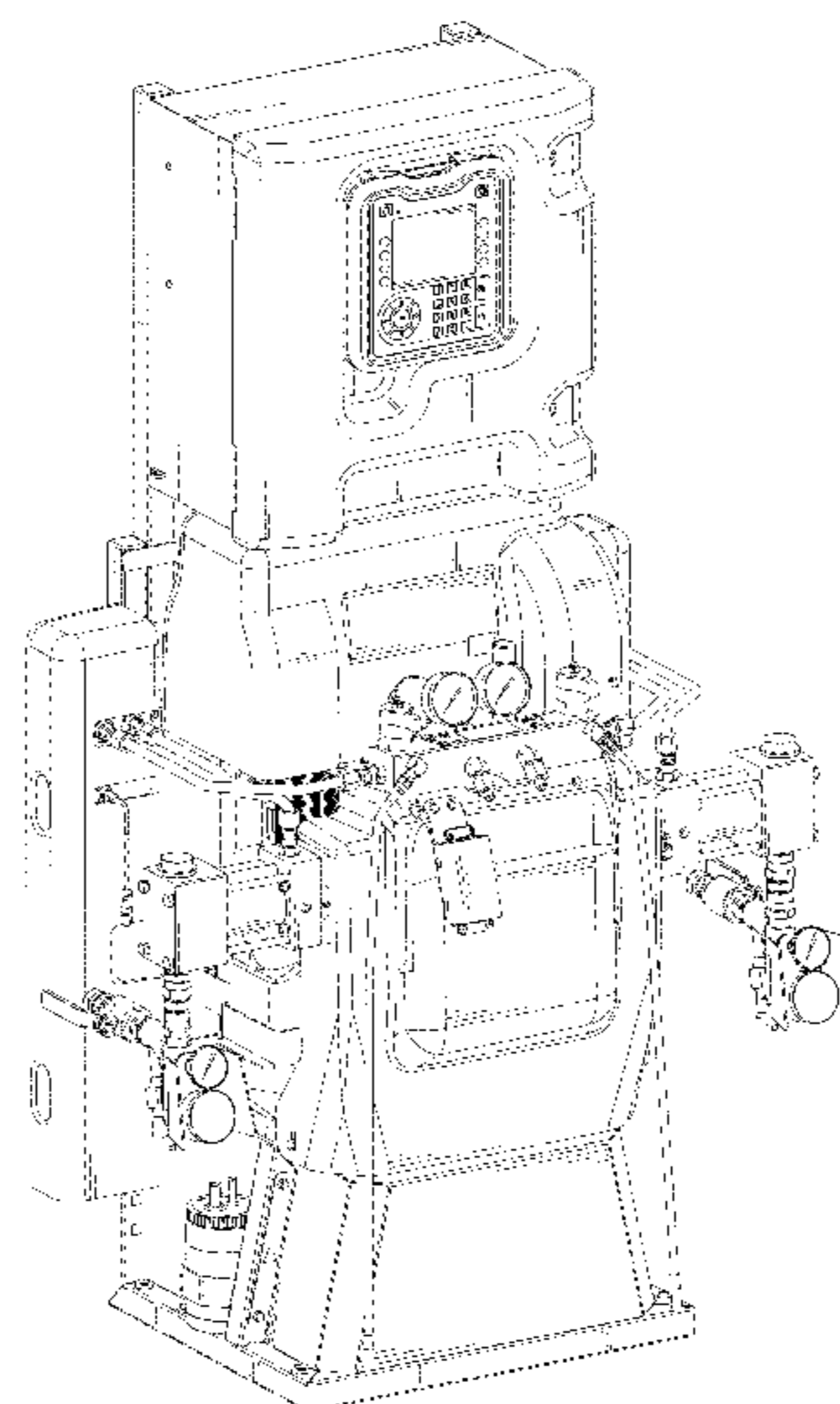
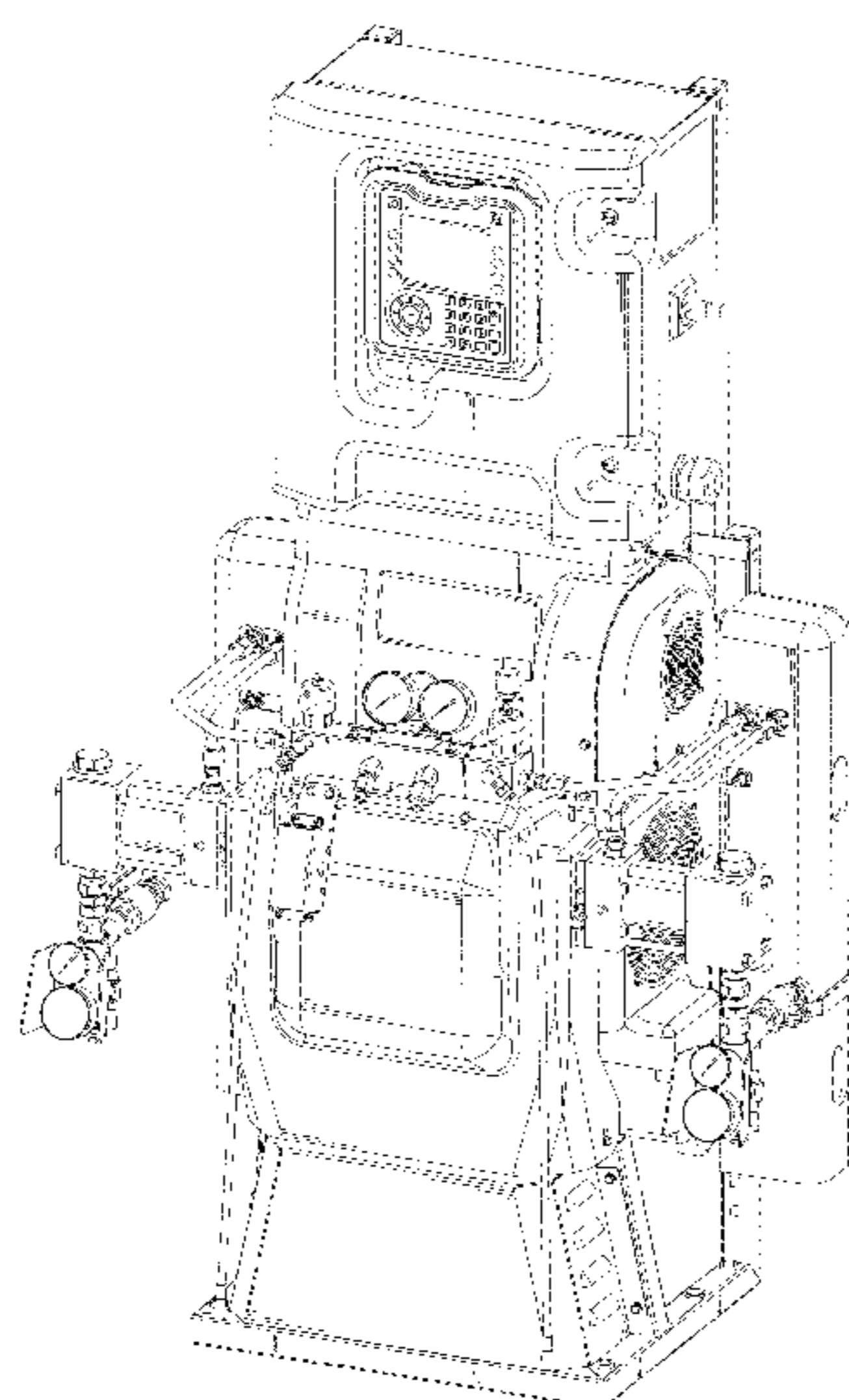
(57) **CLAIM**

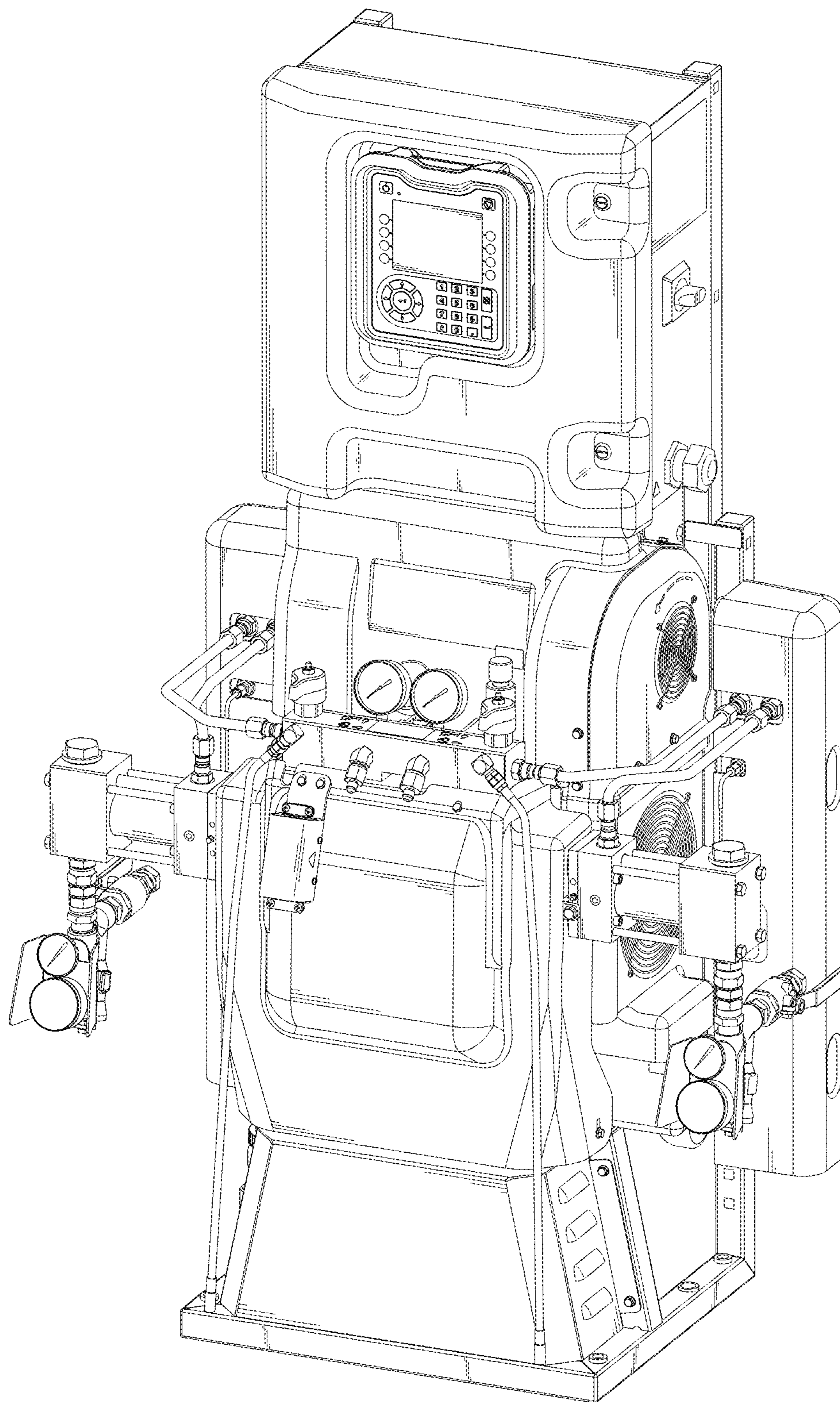
The ornamental design for a plural component proportioner, as shown and described.

**DESCRIPTION**

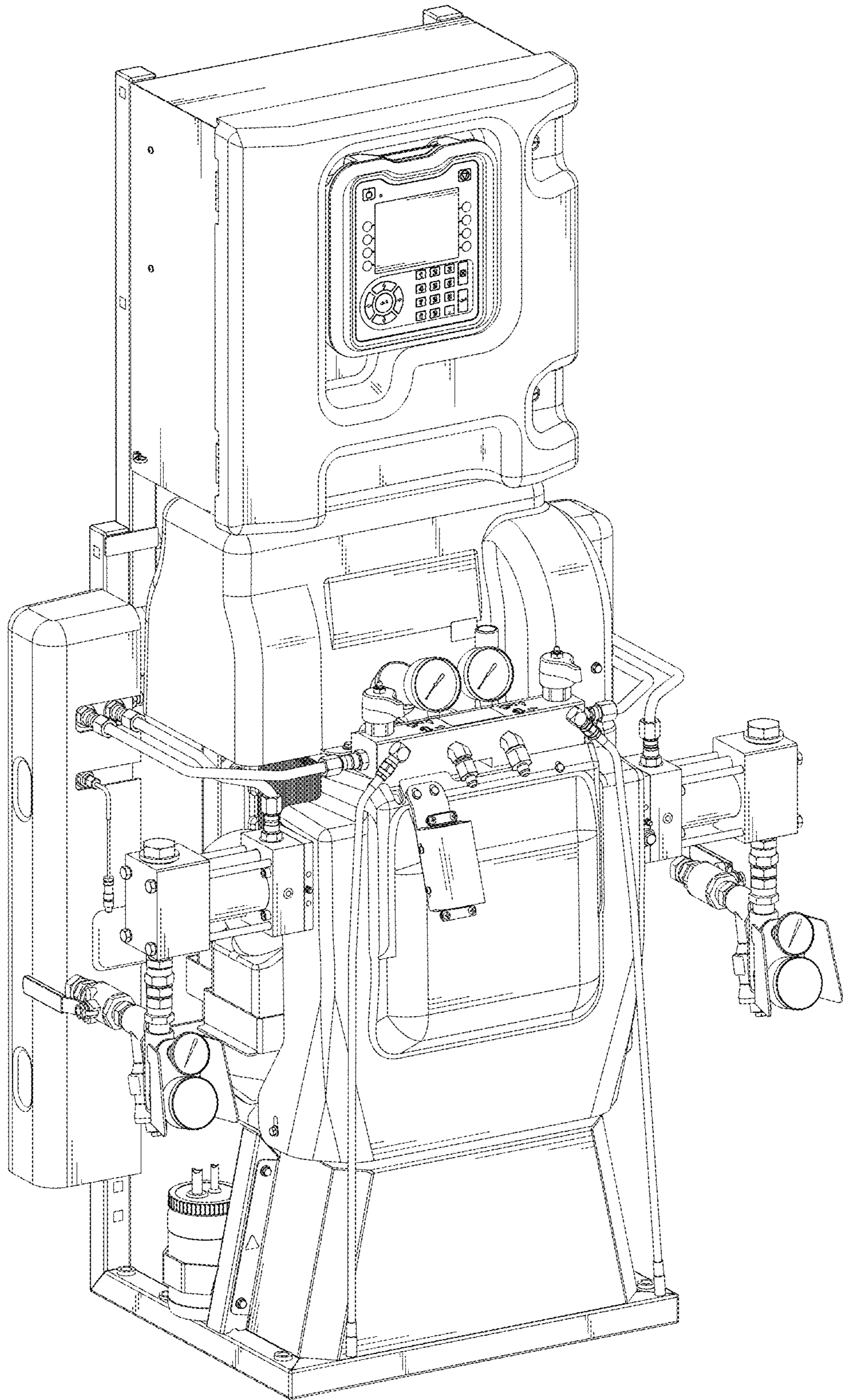
FIG. 1 is a front right isometric view of a plural component proportioner;  
FIG. 2 is a front left isometric view thereof;  
FIG. 3 is a front view thereof;  
FIG. 4 is a right side view thereof;  
FIG. 5 is a left side view thereof;  
FIG. 6 is a rear view thereof;  
FIG. 7 is a top view thereof; and,  
FIG. 8 is a bottom view of a plural component proportioner. The broken lines in the drawings depict unclaimed environmental subject matter.

**1 Claim, 8 Drawing Sheets**

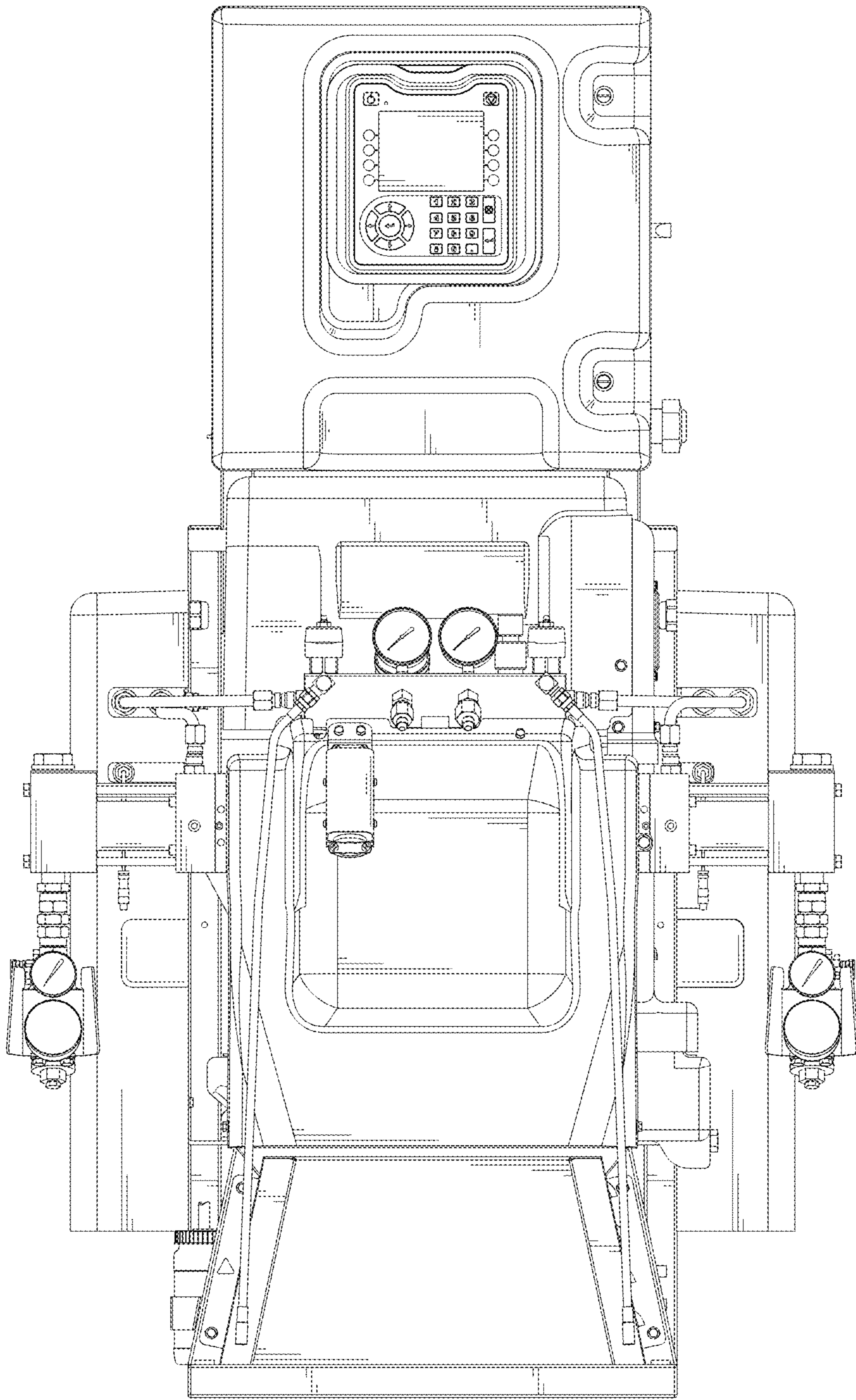




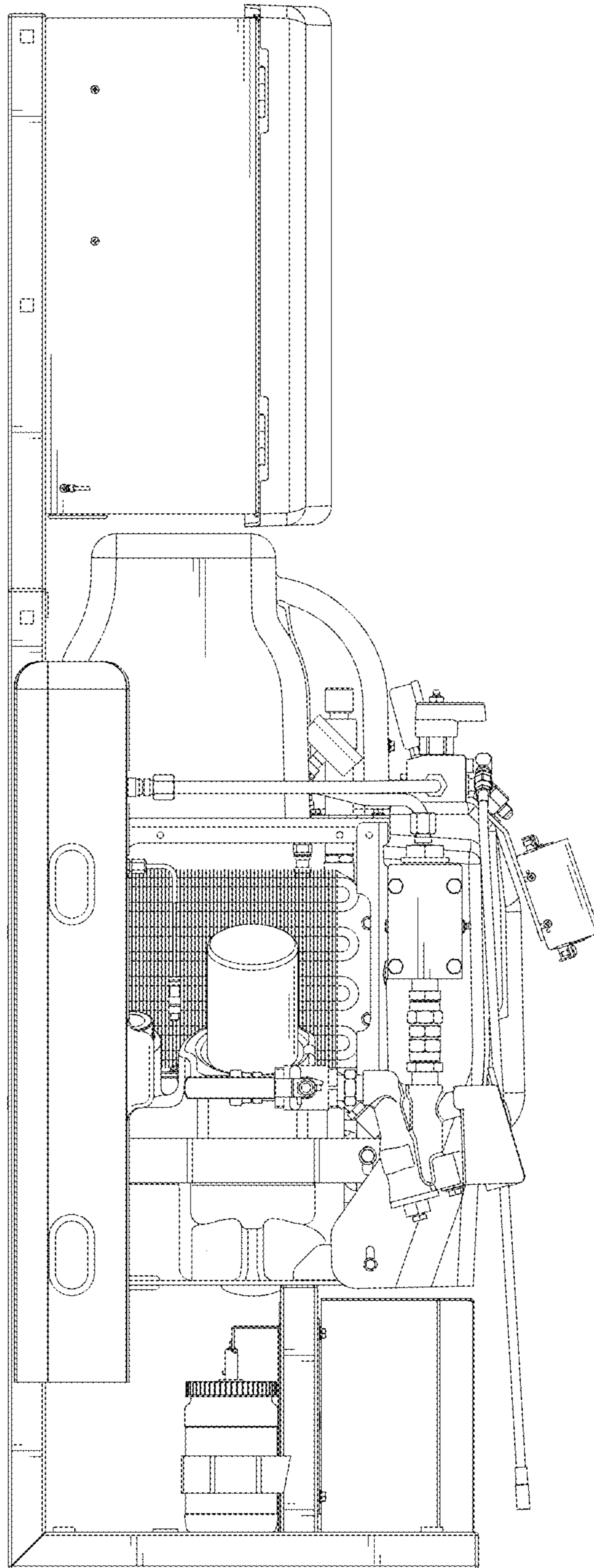
**FIG. 1**



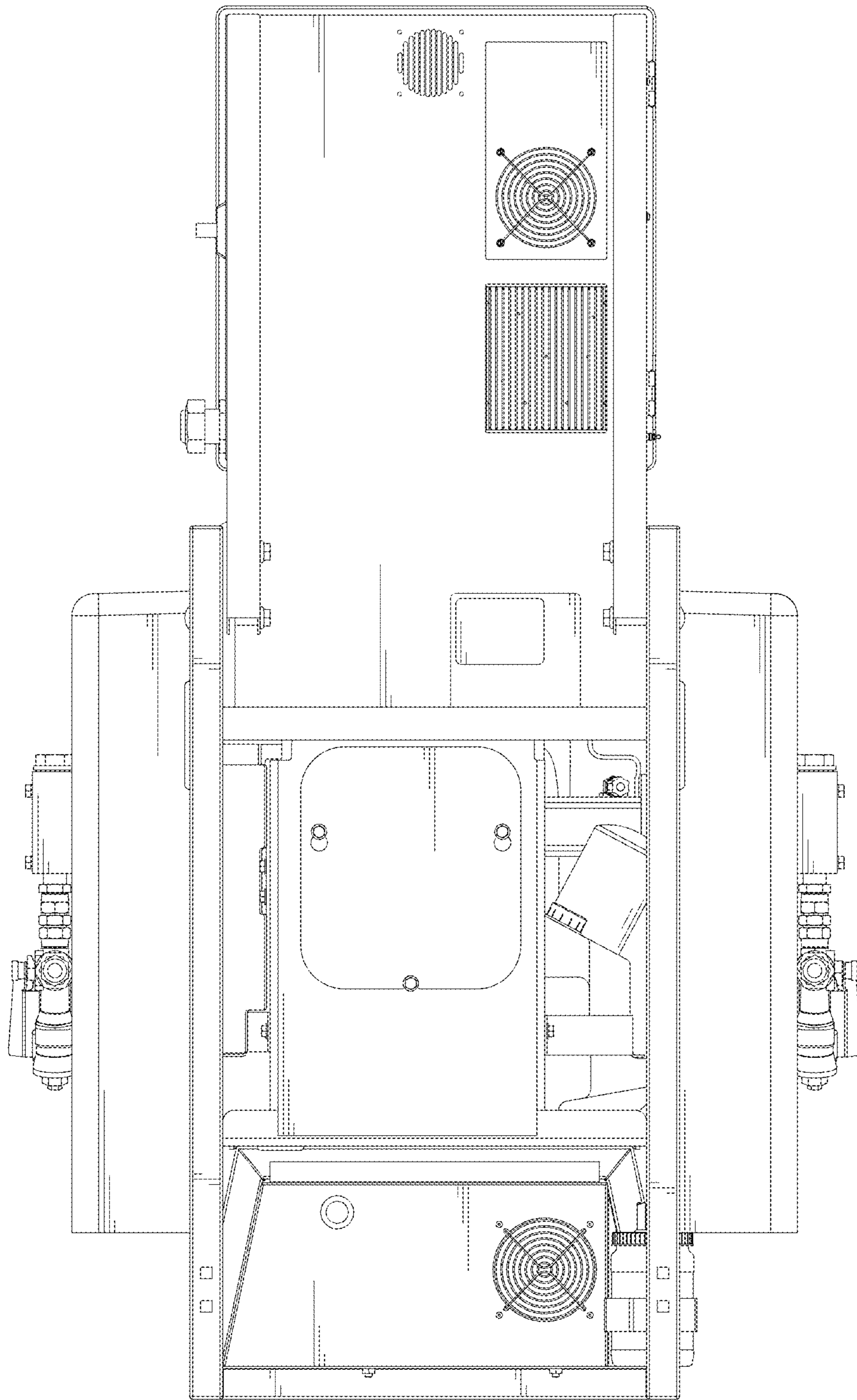
**FIG. 2**



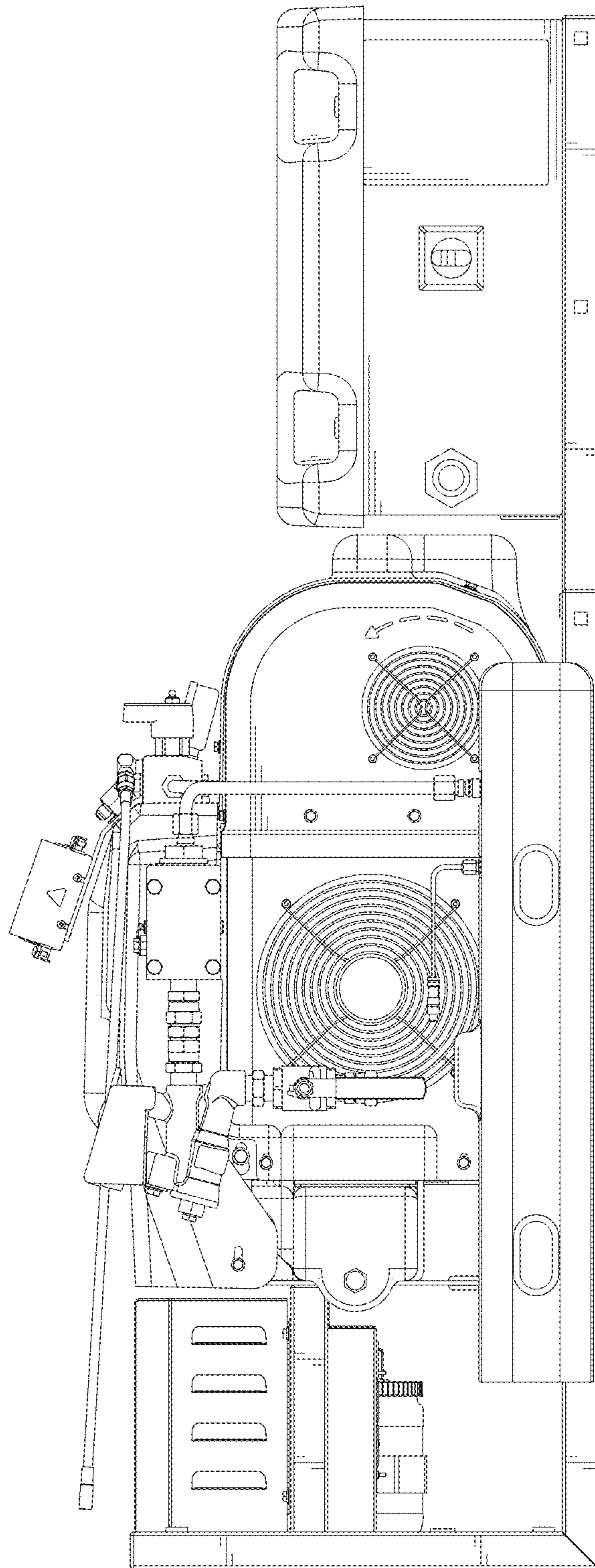
**FIG. 3**



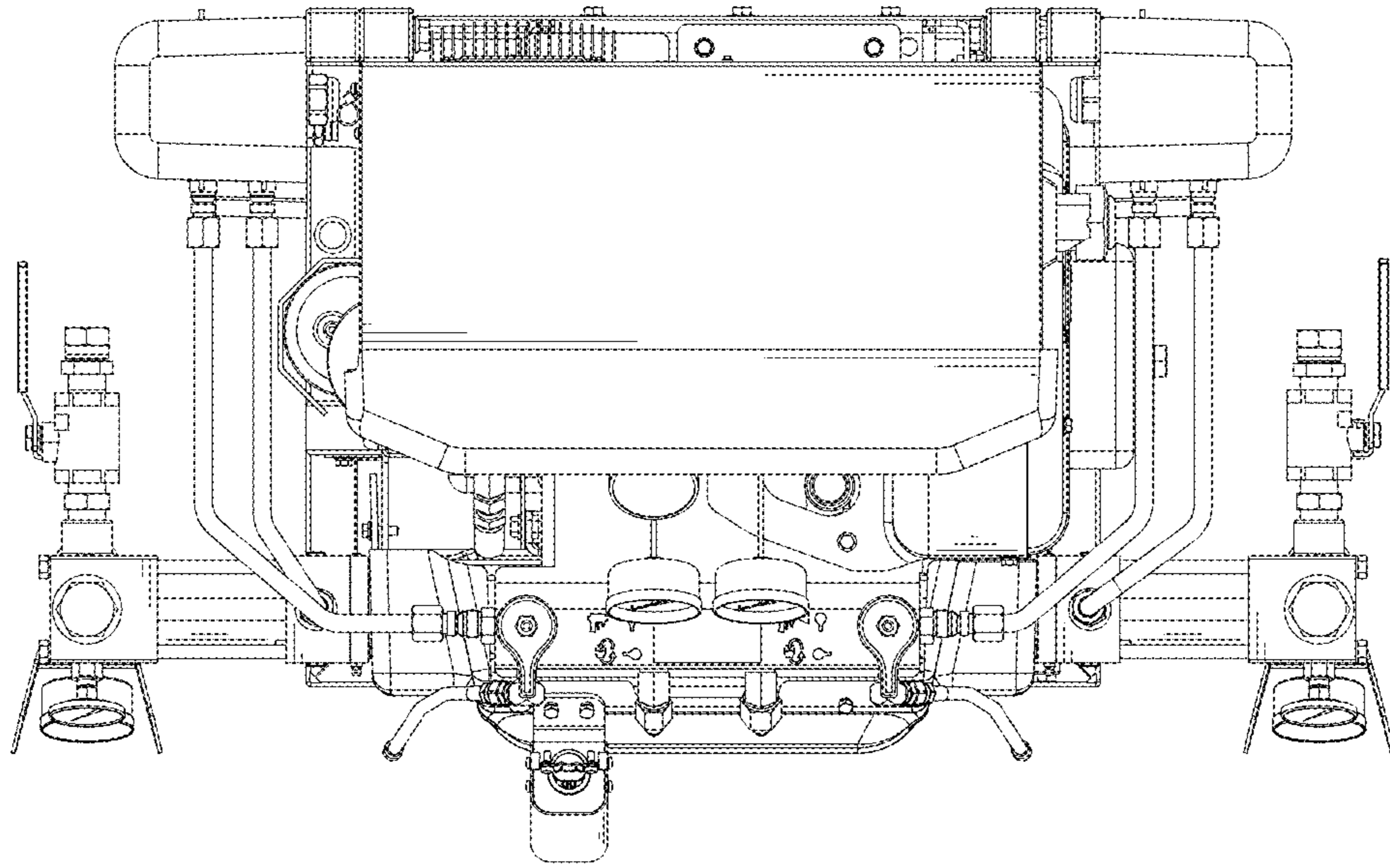
**FIG. 4**



**FIG. 5**

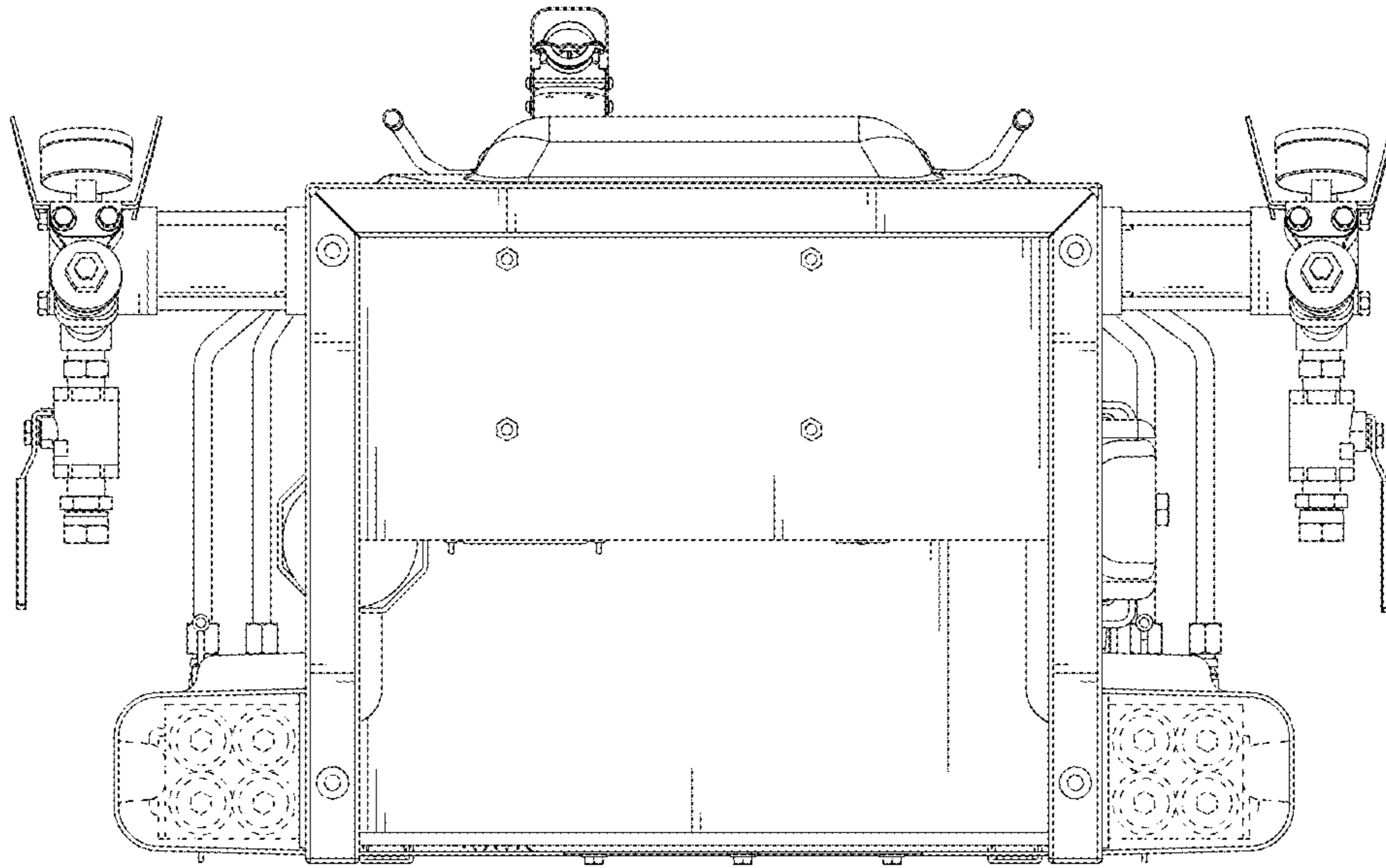


**FIG. 6**



**FIG. 7**





**FIG. 8**