



US00D774114S

(12) **United States Design Patent**
Lee et al.

(10) **Patent No.:** **US D774,114 S**

(45) **Date of Patent:** **** Dec. 13, 2016**

(54) **DRAWER FOR REFRIGERATOR**

(71) Applicant: **LG ELECTRONICS INC.**, Seoul (KR)

(72) Inventors: **Hangbok Lee**, Seoul (KR); **Hongsik Kwon**, Seoul (KR); **Minsub Kim**, Seoul (KR); **Jungkyu Son**, Seoul (KR); **Eugene Suh**, Seoul (KR); **Junyi Heo**, Seoul (KR)

(73) Assignee: **LG Electronics Inc.**, Seoul (KR)

(**) Term: **14 Years**

(21) Appl. No.: **29/522,096**

(22) Filed: **Mar. 27, 2015**

(30) **Foreign Application Priority Data**

Jan. 13, 2015 (KR) 30-2015-0001577

(51) **LOC (10) Cl.** **15-07**

(52) **U.S. Cl.**
USPC **D15/89**

(58) **Field of Classification Search**
USPC D15/79-91
CPC F25D 11/00; F25D 11/02; F25D 13/00;
F25D 19/00; F25D 21/00; F25D 23/00; F25D 2321/1441; F25D 2325/021;
F25D 2325/022; F25D 2325/023
See application file for complete search history.

(56) **References Cited**

U.S. PATENT DOCUMENTS

D513,757 S * 1/2006 Grobleben D15/89
D709,926 S * 7/2014 Park D15/89

D733,770 S * 7/2015 Park D15/89
D733,773 S * 7/2015 Lee D15/89
D738,408 S * 9/2015 Lee D15/89
D744,548 S * 12/2015 Shin D15/89
D745,068 S * 12/2015 Jeon D15/89
D745,581 S * 12/2015 Jeon D15/89
D759,734 S * 6/2016 Lee D15/89
D766,345 S * 9/2016 Lee D15/89

* cited by examiner

Primary Examiner — Ian Simmons

Assistant Examiner — Khawaja Anwar

(74) *Attorney, Agent, or Firm* — Birch, Stewart, Kolasch & Birch, LLP

(57) **CLAIM**

We claim the ornamental design for a drawer for refrigerator, as shown and described.

DESCRIPTION

FIG. 1 is a perspective view of a drawer for refrigerator showing our new design;
FIG. 2 is a front elevation view thereof;
FIG. 3 is a rear elevation view thereof;
FIG. 4 is a left-side elevation view thereof;
FIG. 5 is a right-side elevation view thereof;
FIG. 6 is a top plan view thereof;
FIG. 7 is a bottom plan view thereof;
FIG. 8 is an exploded perspective view thereof; and,
FIG. 9 is a perspective view in a state of use thereof.
The broken lines shown in FIG. 9 represent unclaimed environment only and form no part of the claimed design.

1 Claim, 6 Drawing Sheets

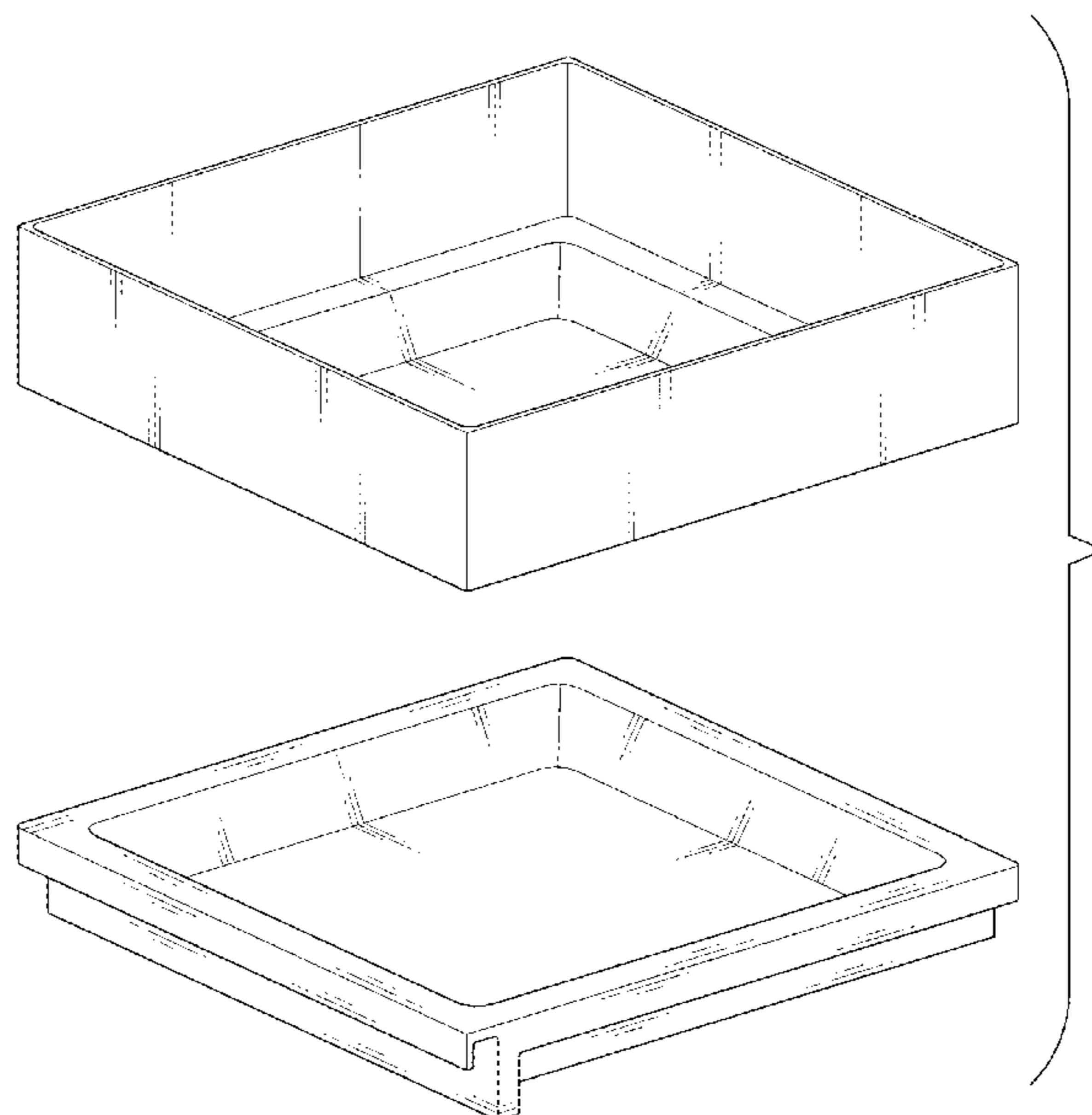
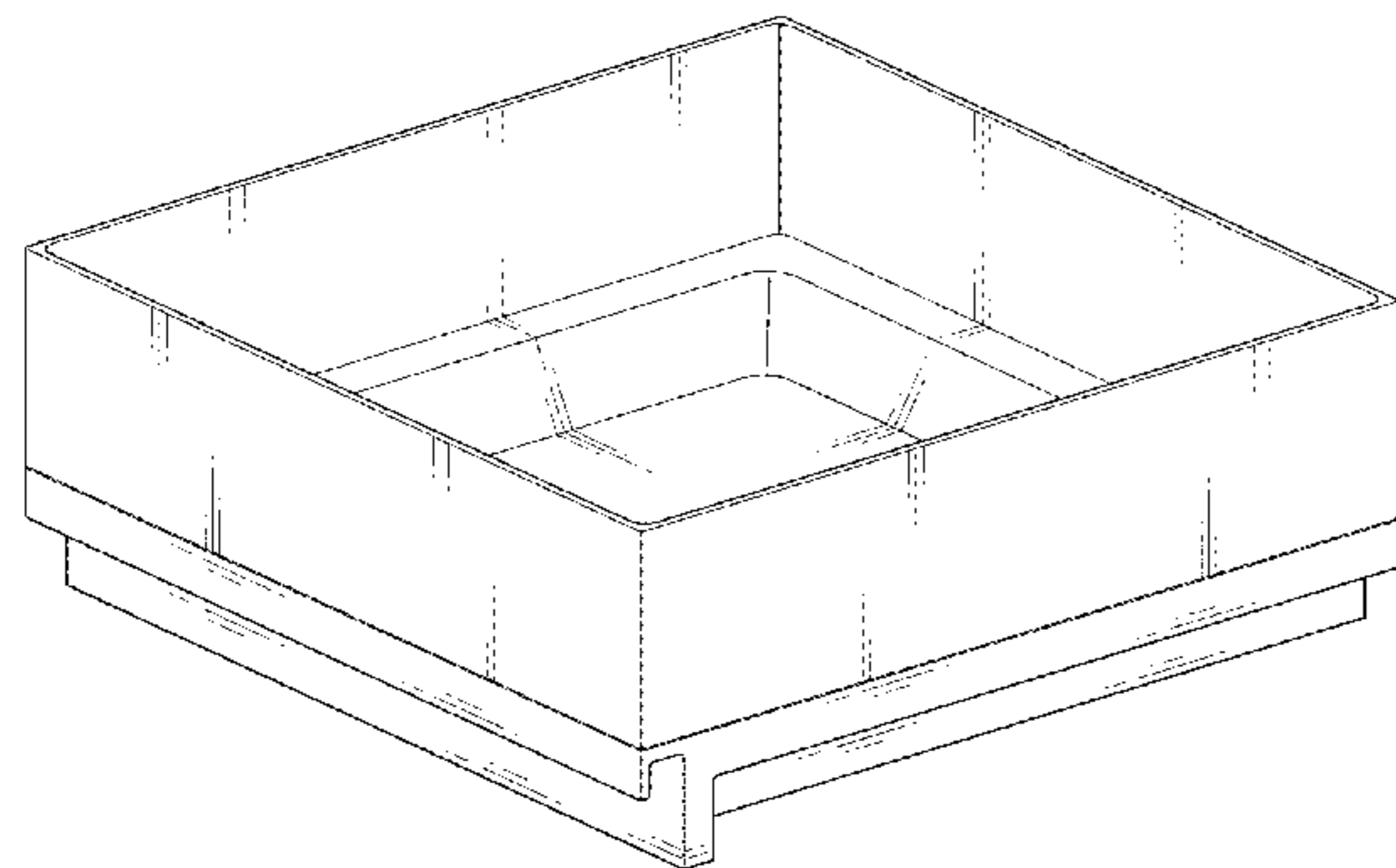


FIG. 1

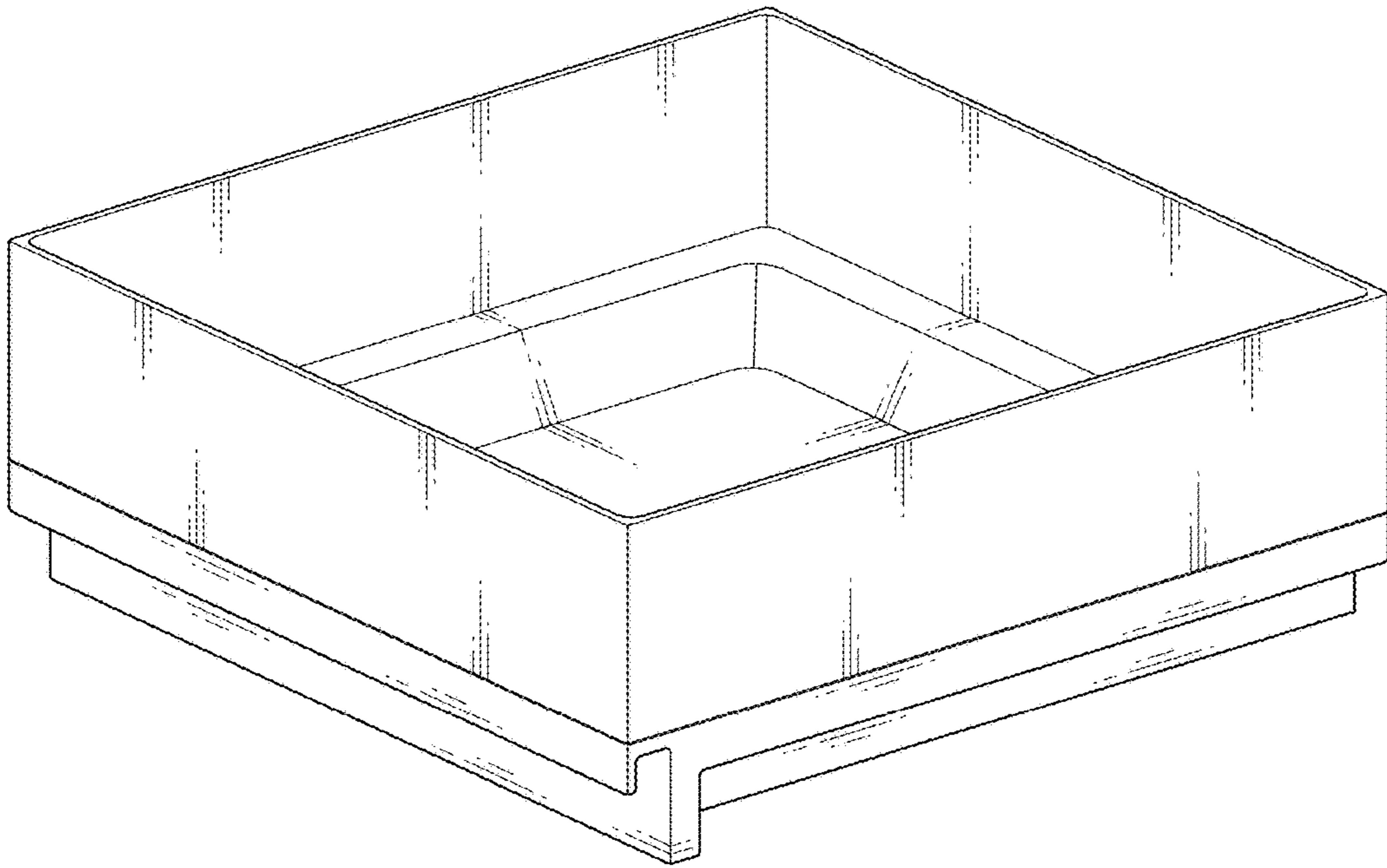


FIG. 2

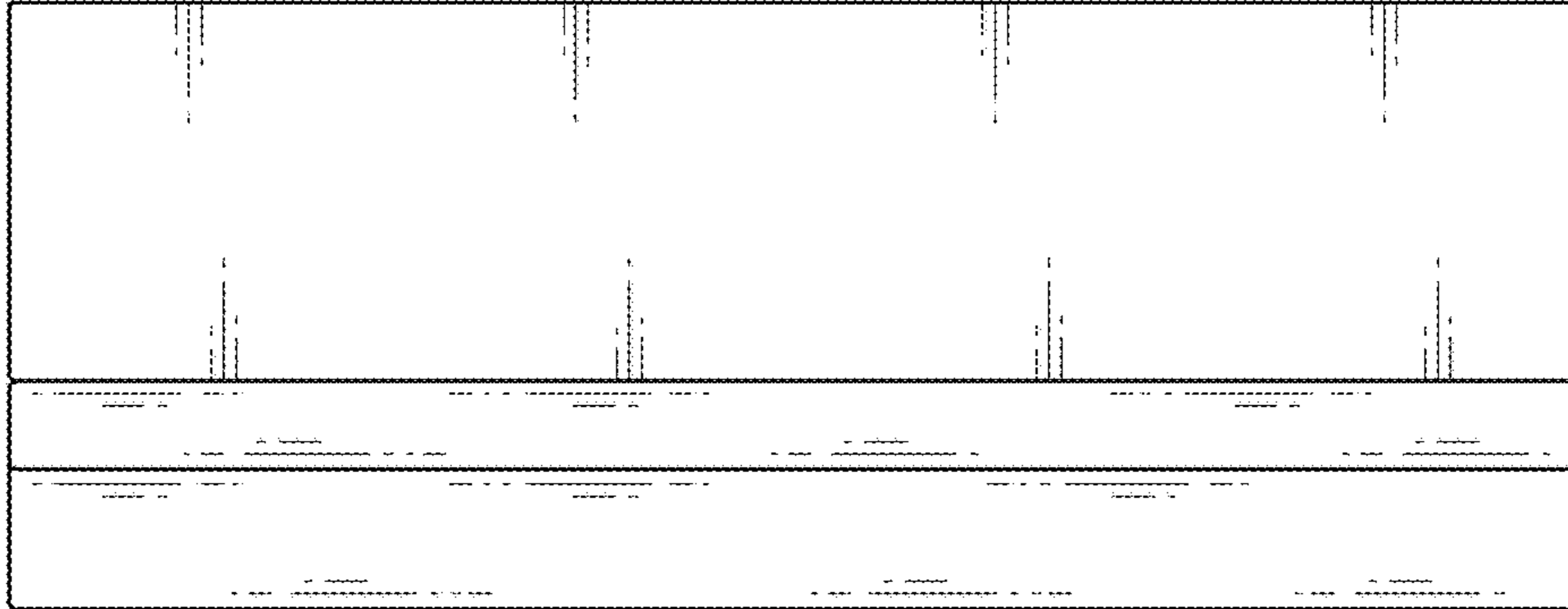


FIG. 3

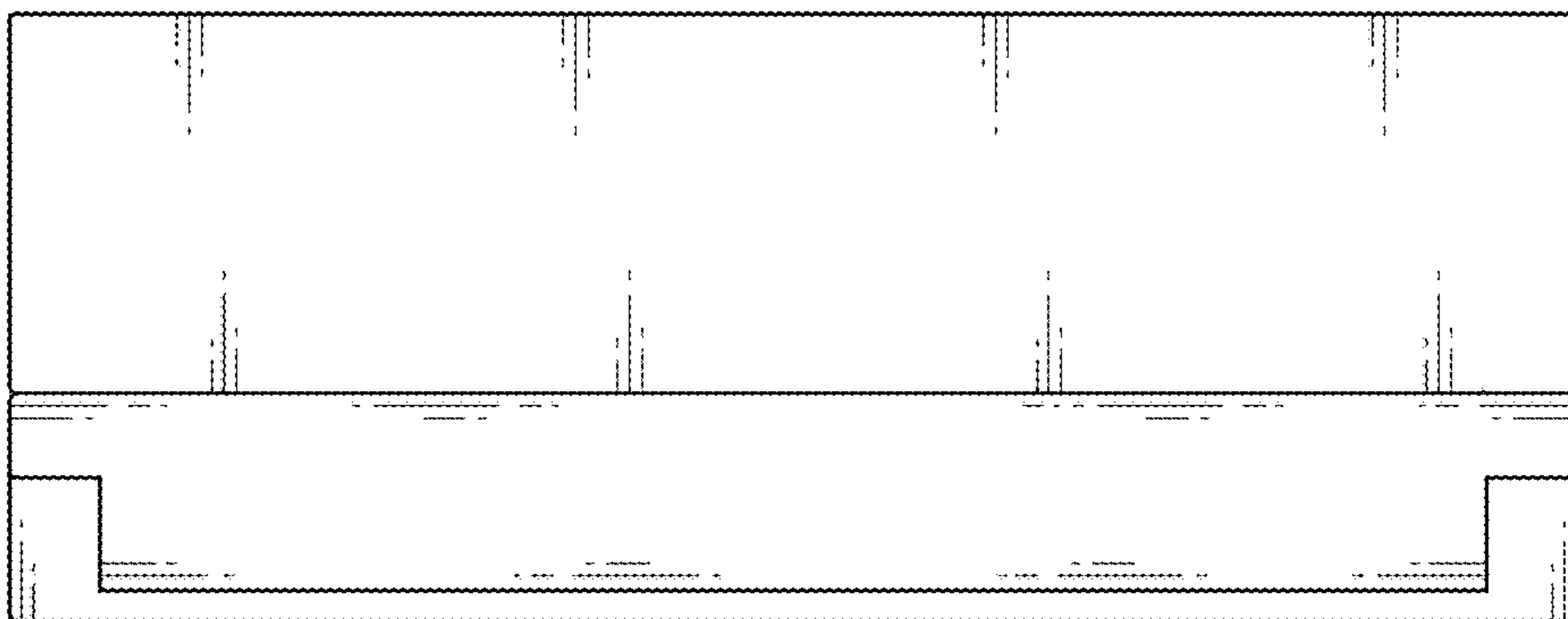


FIG. 4

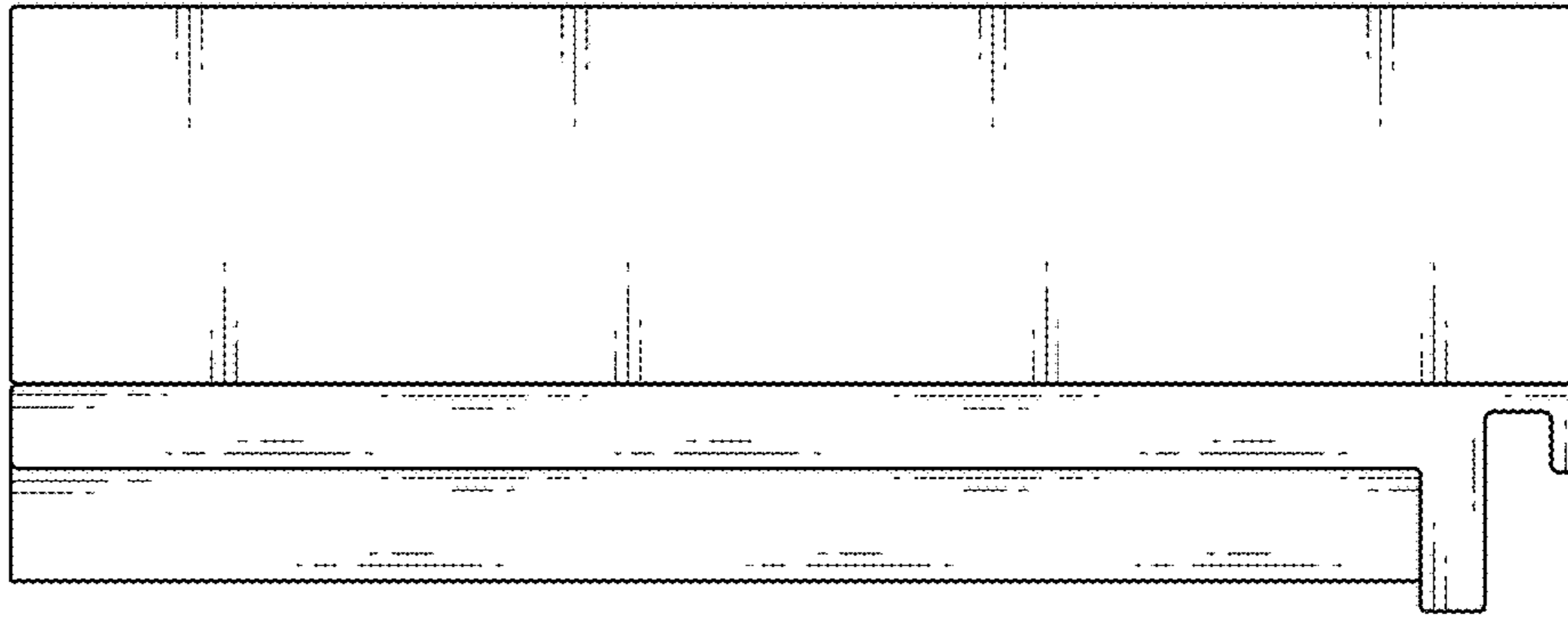


FIG. 5

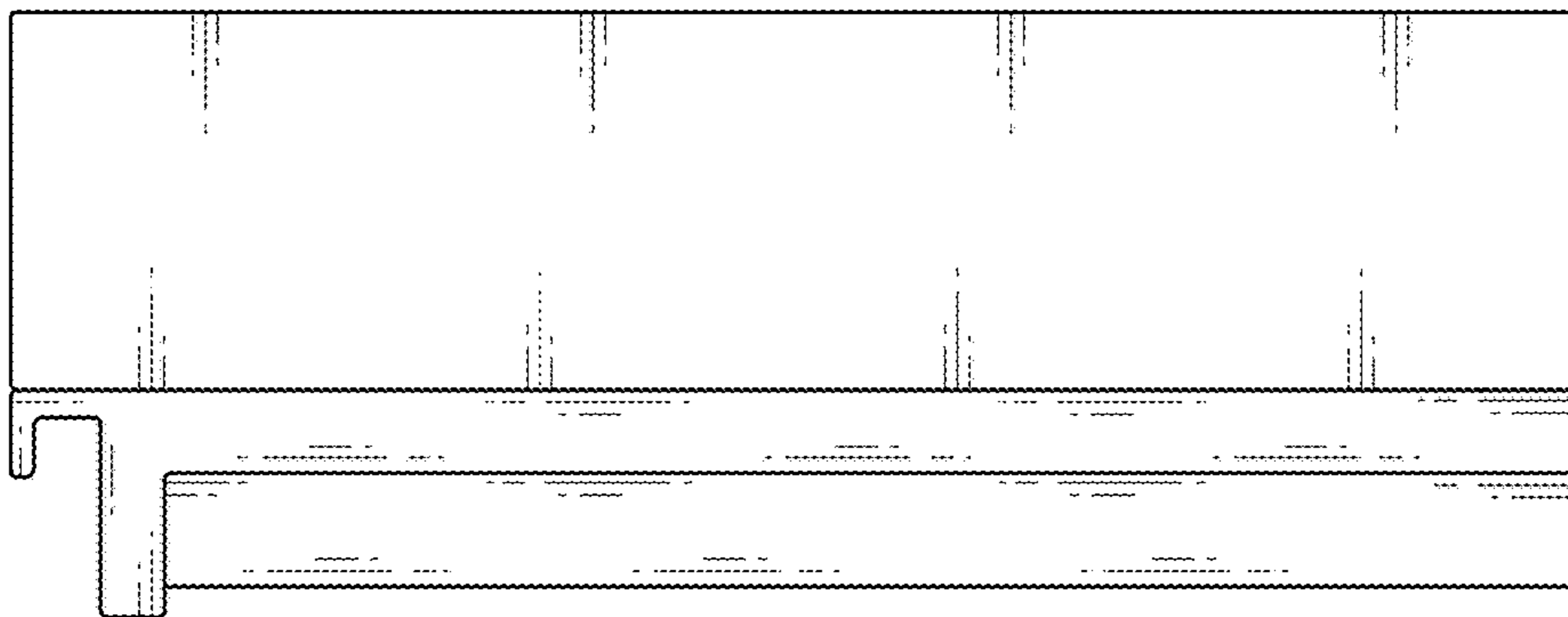


FIG. 6

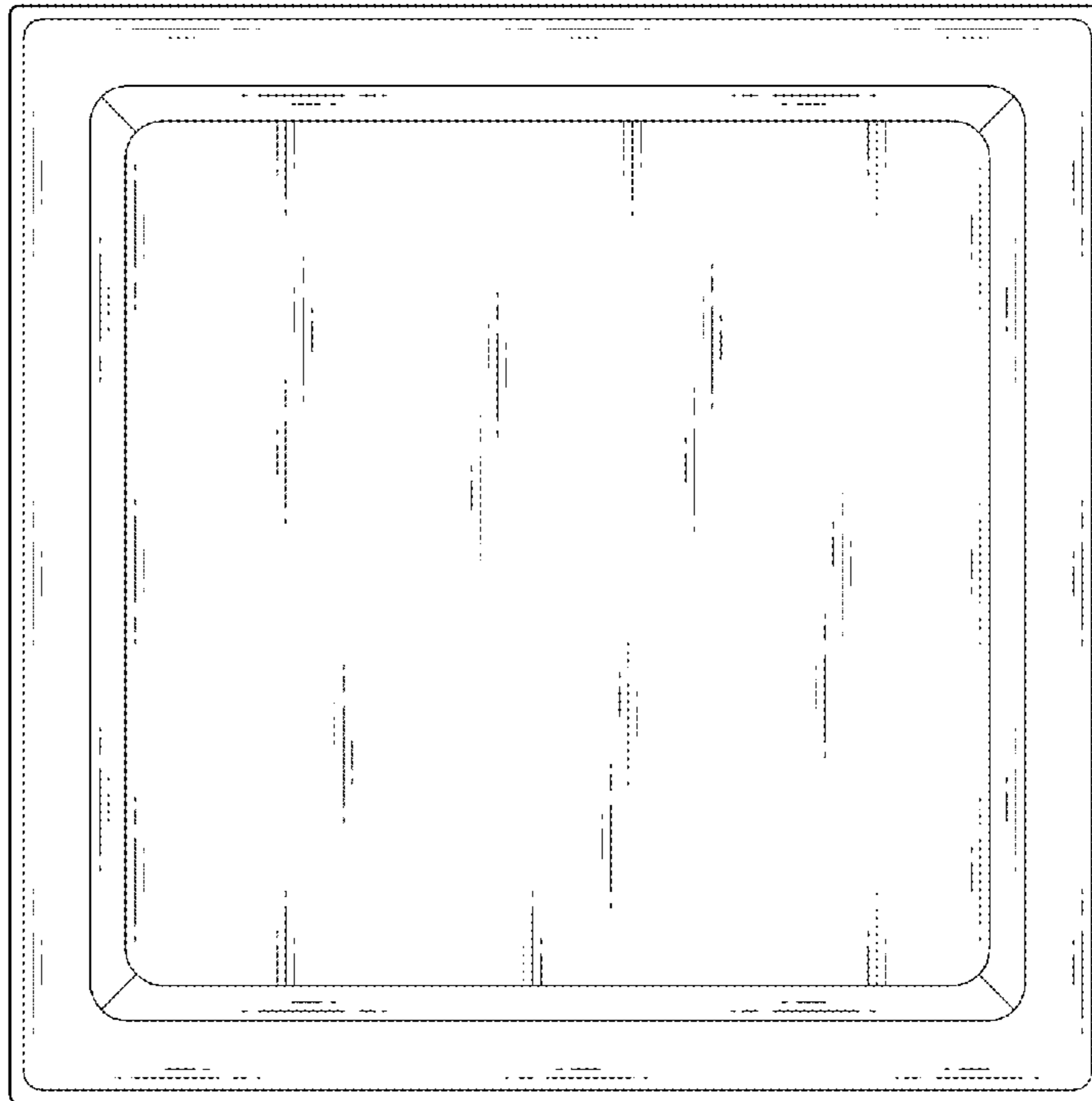


FIG. 7

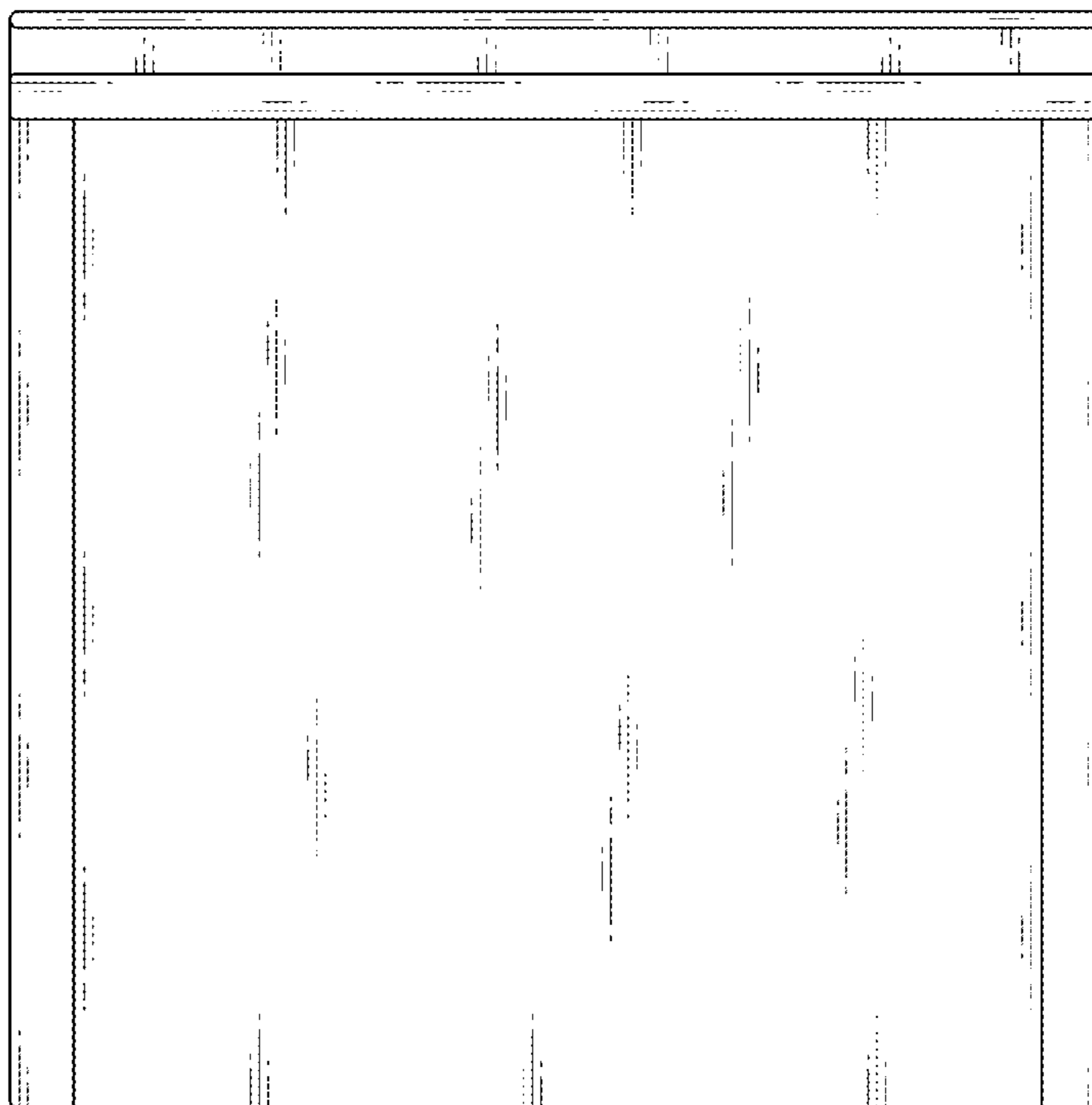


FIG. 8

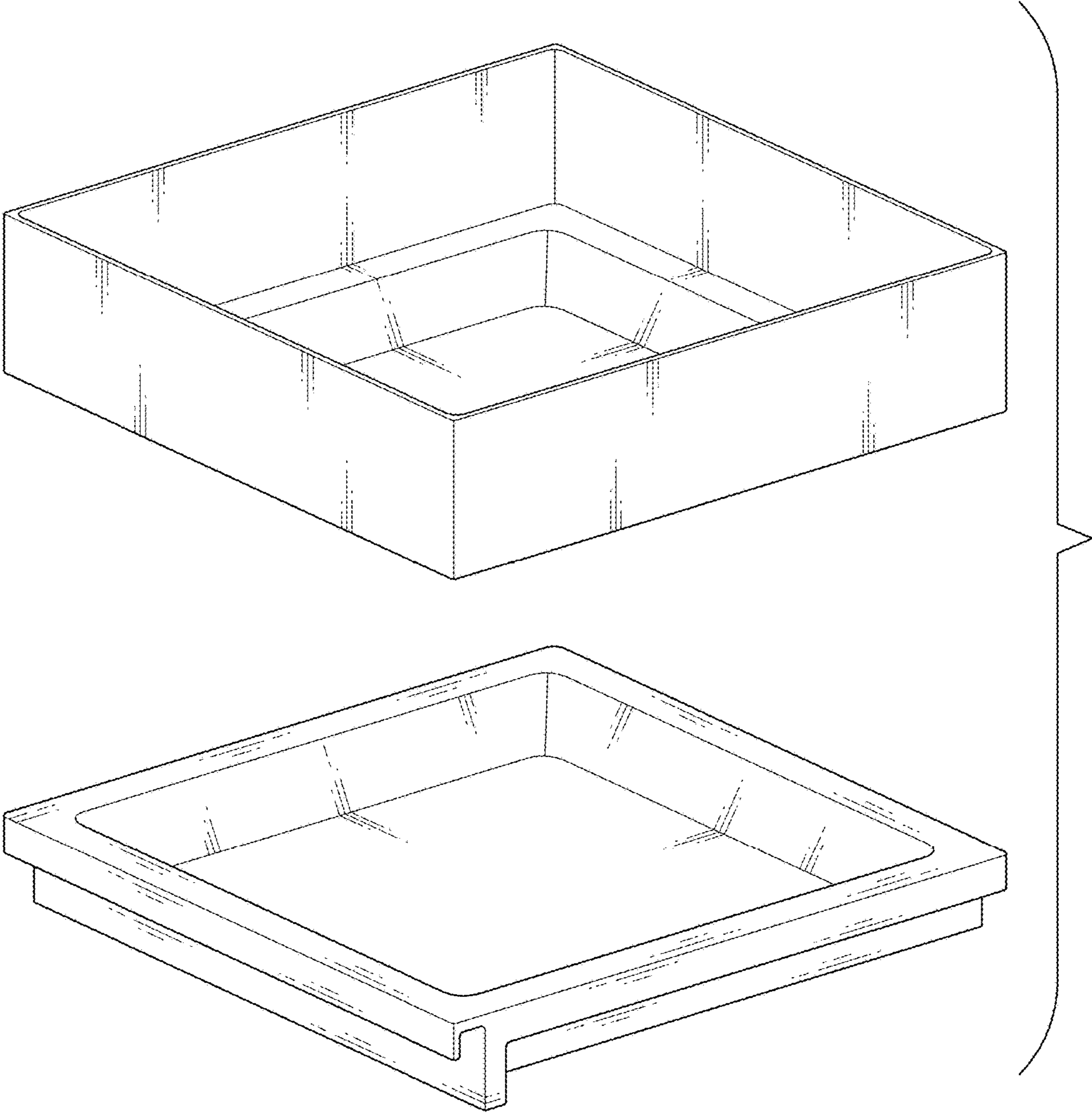


FIG. 9

