



US00D774112S

(12) **United States Design Patent**  
**Fiser et al.**

(10) **Patent No.:** **US D774,112 S**

(45) **Date of Patent:** **\*\* Dec. 13, 2016**

(54) **EXCAVATOR BODY AND CAB EXTERIOR**

(71) Applicant: **Clark Equipment Company**, West Fargo, ND (US)

(72) Inventors: **Jaroslav Fiser**, Pribram (CZ); **Petr Kratochvil**, Pribram (CZ); **Karel Vanek**, Mnisek pod Brdy (CZ)

(73) Assignee: **Clark Equipment Company**, West Fargo, ND (US)

(\*\*) Term: **15 Years**

(21) Appl. No.: **29/543,049**

(22) Filed: **Oct. 20, 2015**

(51) **LOC (10) Cl.** ..... **15-03**

(52) **U.S. Cl.**  
USPC ..... **D15/30**

(58) **Field of Classification Search**  
USPC .... D15/10, 22-26, 28, 30, 31, 33; 180/89.1, 180/89.12, 89.13, 900, 9.1, 9.2, 9.62; 414/694, 414/699, 722-724, 660, 685, 414/698, 719, 743; 37/379  
CPC ..... E02F 9/163; E02F 9/0886; E02F 9/18; E02F 3/32; E02F 3/76; E02F 3/40; F01N 13/001; F01N 2590/08

See application file for complete search history.

(56) **References Cited**

U.S. PATENT DOCUMENTS

D481,044 S *	10/2003	Tokach	.....	D15/30
D487,575 S *	3/2004	Wetzel	.....	D15/33
D494,986 S *	8/2004	Tokach	.....	D15/30
D506,211 S *	6/2005	Kuwae	.....	D15/33
D508,498 S *	8/2005	Shimokakiuchi	.....	D15/24
D509,514 S *	9/2005	Shimokakiuchi	.....	D15/24
D538,305 S *	3/2007	Smith	.....	D15/30
D562,354 S *	2/2008	Imashige	.....	D15/28
D582,946 S *	12/2008	Ochi	.....	D15/28
D590,847 S *	4/2009	Yonekura	.....	D15/25

D591,773 S *	5/2009	Ueta	.....	D15/22
D593,137 S *	5/2009	Ueta	.....	D15/28
D594,037 S *	6/2009	Uemura	.....	D15/30
D607,904 S *	1/2010	Reisenauer	.....	D15/30
D631,067 S *	1/2011	Nishimura	.....	D15/22
D635,592 S *	4/2011	Shimomura	.....	D15/28
D660,323 S *	5/2012	Hiraoka	.....	D15/28
D663,327 S *	7/2012	Namura	.....	D15/30
D678,917 S *	3/2013	Hagura	.....	D15/28
D684,598 S *	6/2013	Hagura	.....	D15/24
D684,602 S *	6/2013	Hagura	.....	D15/28
D684,604 S *	6/2013	Saito	.....	D15/28

(Continued)

OTHER PUBLICATIONS

U.S. Design Patent Application with U.S. Appl. No. 29/543,052, filed Oct. 20, 2015, 8 pages.

(Continued)

*Primary Examiner* — Mark Goodwin

(74) *Attorney, Agent, or Firm* — John D.

Veldhuis-Kroeze; Westman, Champlin & Koehler, P.A.

(57) **CLAIM**

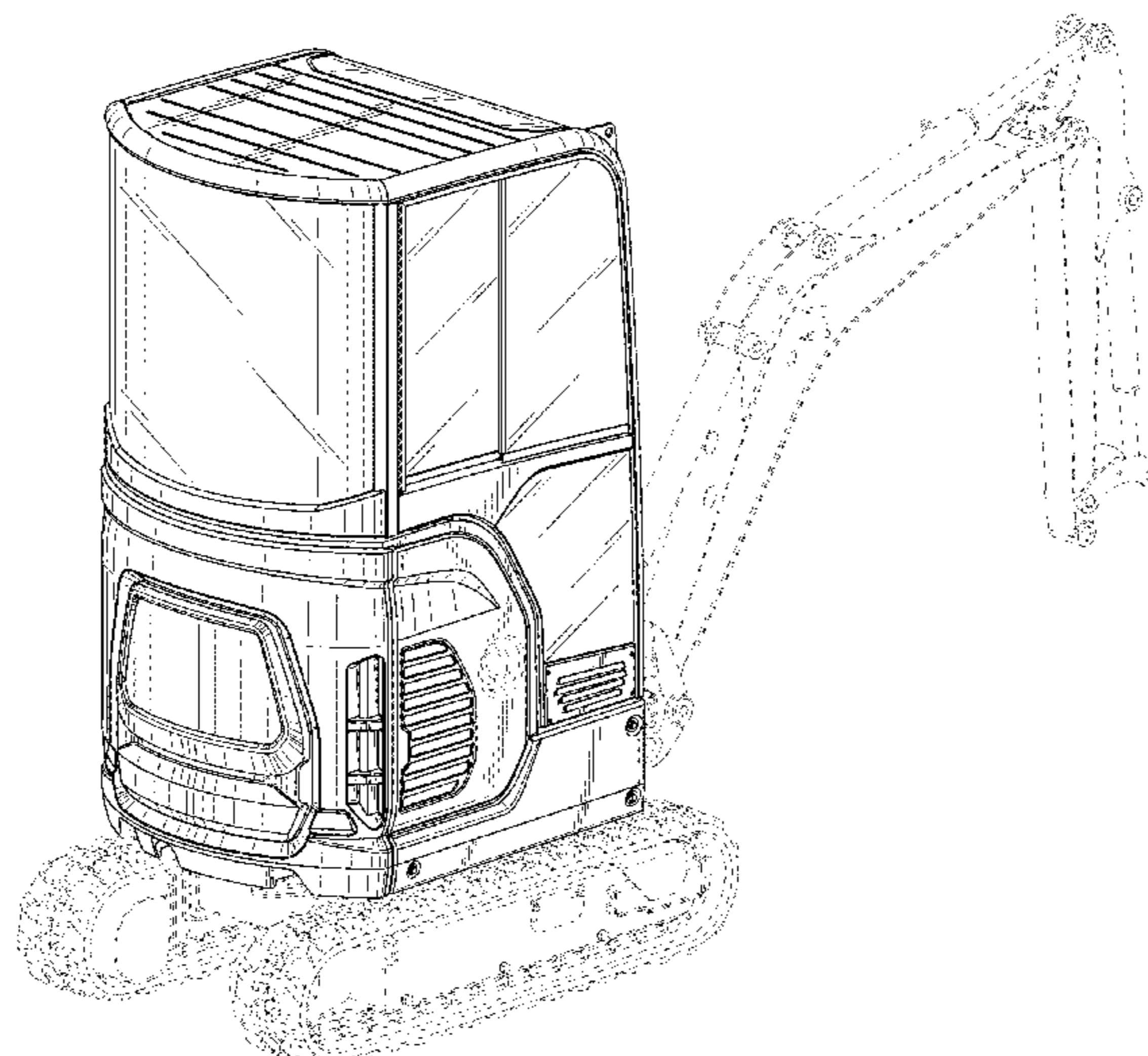
The ornamental design for an excavator body and cab exterior, as shown and described.

**DESCRIPTION**

FIG. 1 is a perspective view of the excavator body and cab exterior showing our new design; FIG. 2 is a right side view thereof; FIG. 3 is a left side view thereof; FIG. 4 is a front view thereof; FIG. 5 is a back view thereof; FIG. 6 is a top view thereof; and, FIG. 7 is a bottom view thereof.

The broken lines shown in the drawings are included for purposes of illustrating portions of the excavator, excavator body, and excavator cab and form no part of the claimed design.

**1 Claim, 7 Drawing Sheets**



(56)

**References Cited**

U.S. PATENT DOCUMENTS

D684,605	S	*	6/2013	Hagura	.....	D15/28
D684,606	S	*	6/2013	Hagura	.....	D15/28
D689,530	S	*	9/2013	Miyata	.....	D15/30
D692,924	S	*	11/2013	Hatanaka	.....	D15/24
D707,261	S	*	6/2014	Caboret	.....	D15/24
D711,927	S	*	8/2014	Yoshita	.....	D15/24
D715,330	S	*	10/2014	Hutchinson	.....	D15/22
D715,331	S	*	10/2014	Hutchinson	.....	D15/22
D716,845	S	*	11/2014	Hayami	.....	D15/24
D717,346	S	*	11/2014	Ishii	.....	D15/28
D725,680	S	*	3/2015	Mishio	.....	D15/24
D735,771	S	*	8/2015	Imashige	.....	D15/28
D738,403	S	*	9/2015	Imashige	.....	D15/22
D750,671	S	*	3/2016	Imashige	.....	D15/22
D750,672	S	*	3/2016	Payne	.....	D15/25
D750,673	S	*	3/2016	Imashige	.....	D15/28
D752,112	S	*	3/2016	Hagura	.....	D15/24

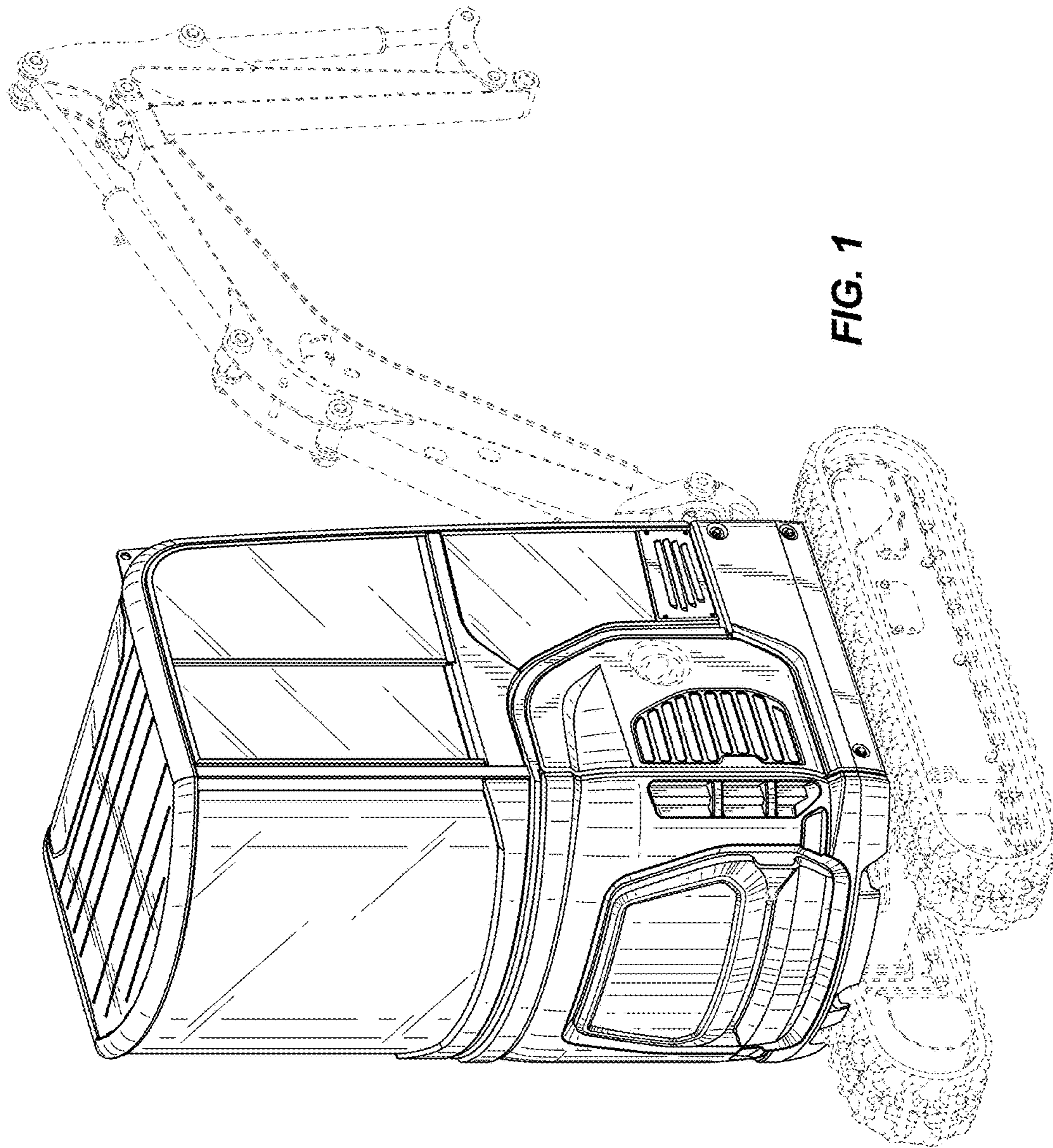
OTHER PUBLICATIONS

U.S. Design Patent Application with U.S. Appl. No. 29/543,056,  
filed Oct. 20, 2015, 8 pages.

U.S. Design Patent Application with U.S. Appl. No. 29/543,057,  
filed Oct. 20, 2015, 8 pages.

U.S. Design Patent Application with U.S. Appl. No. 29/543,063,  
filed Oct. 20, 2015, 8 pages.

\* cited by examiner



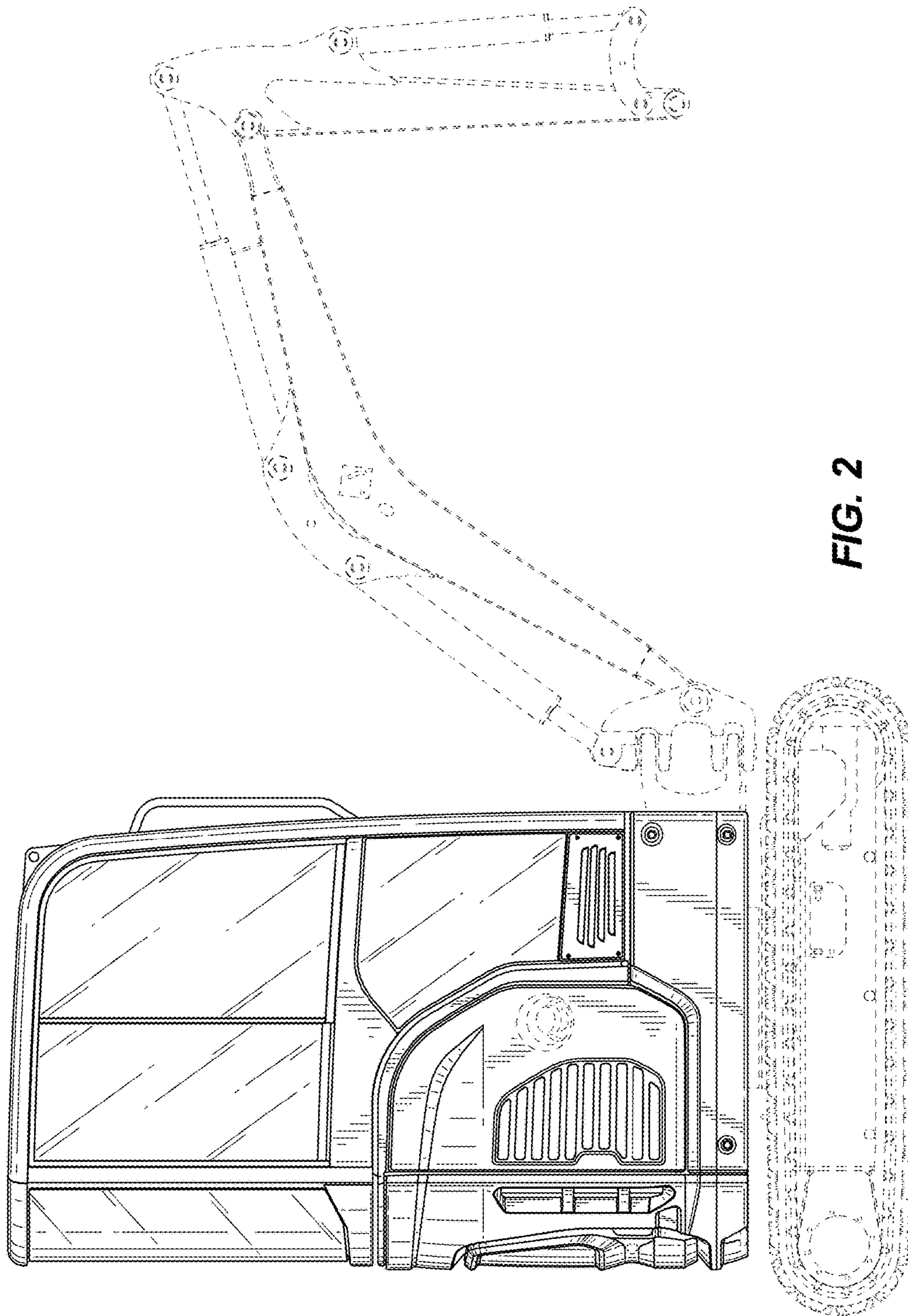


FIG. 2

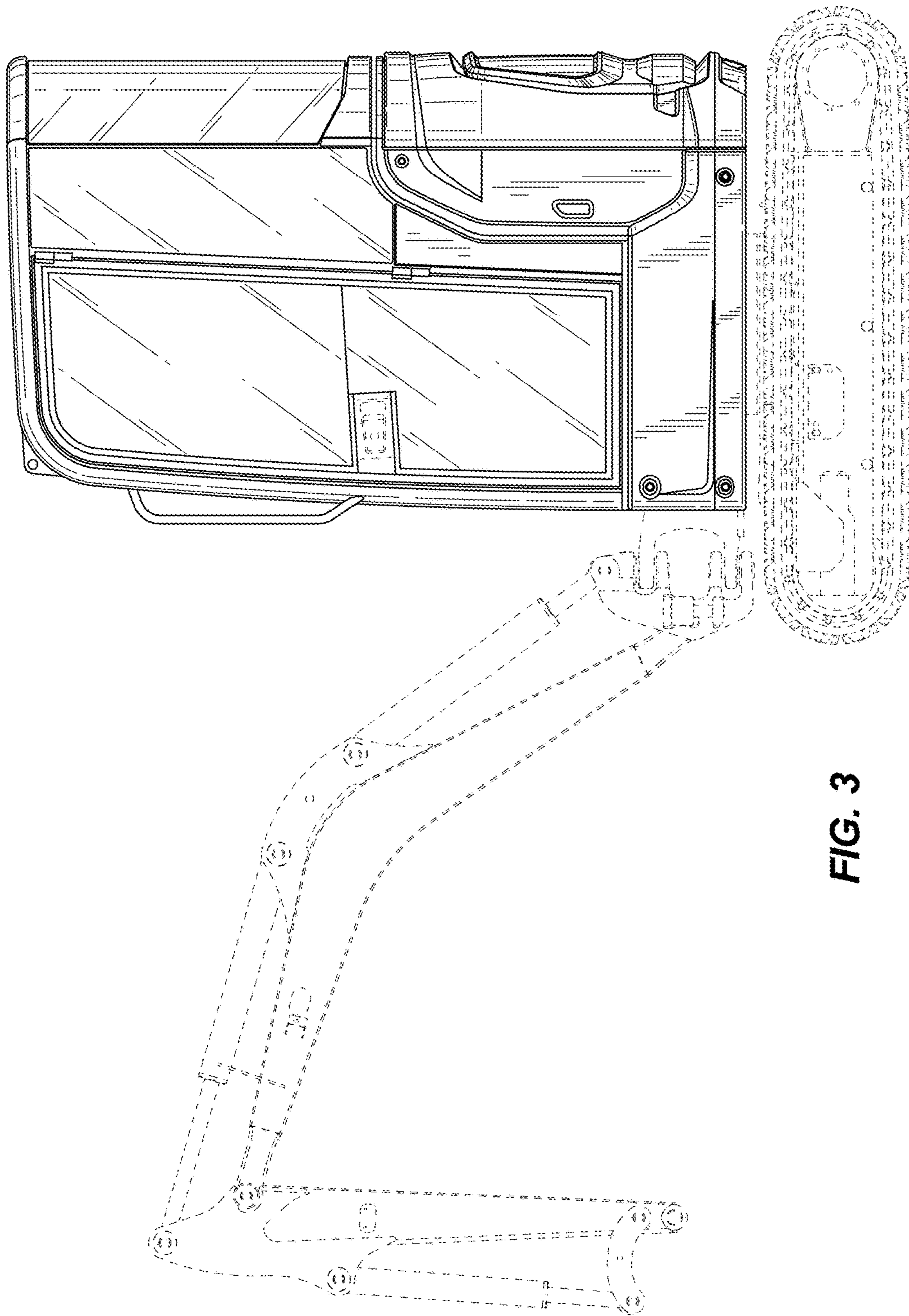
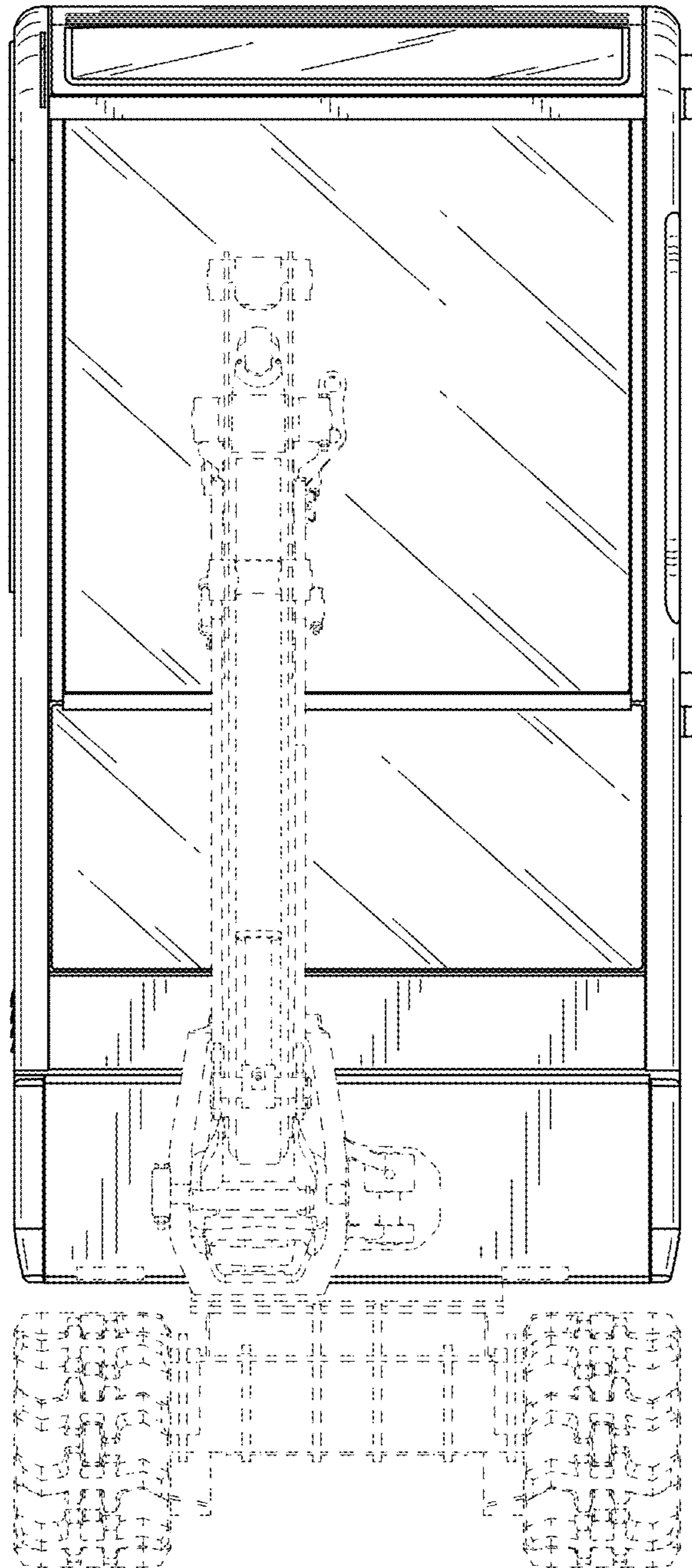
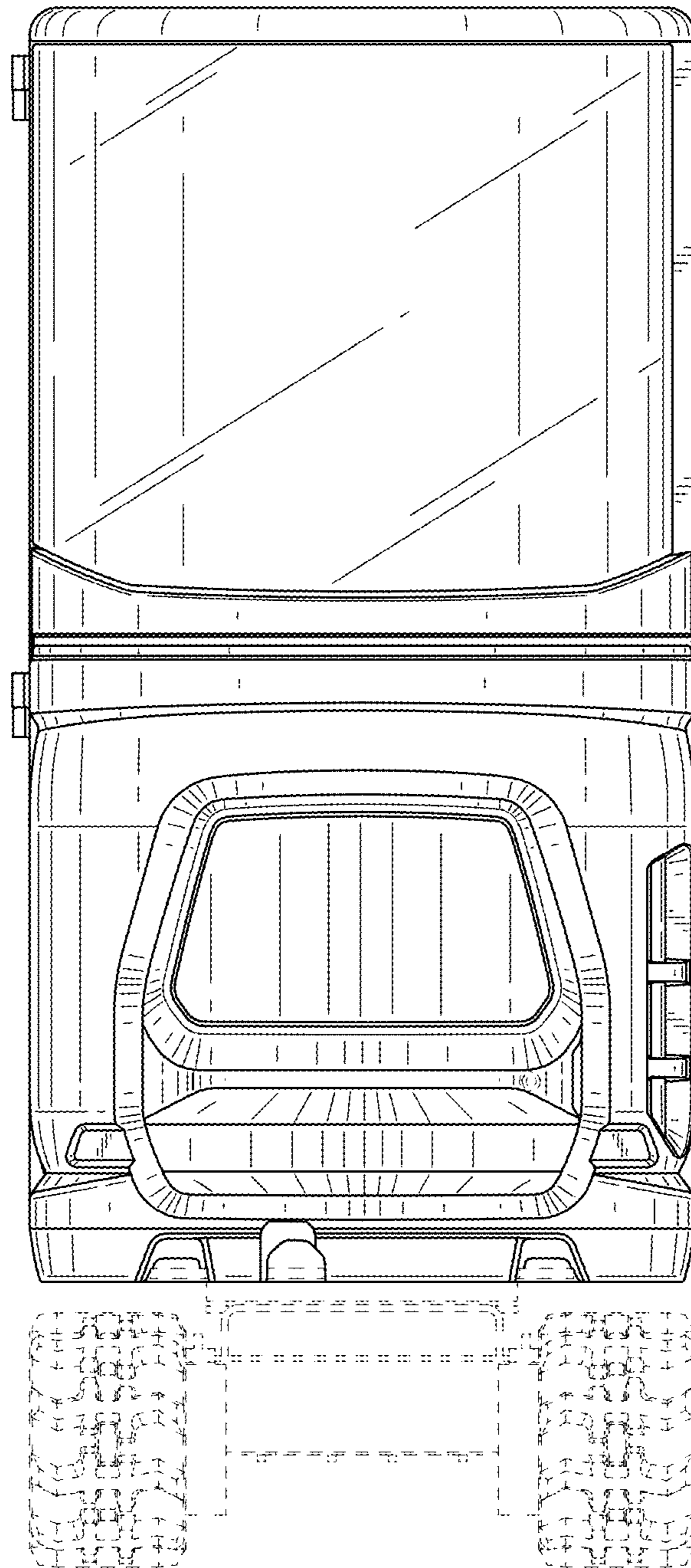


FIG. 3



**FIG. 4**



**FIG. 5**

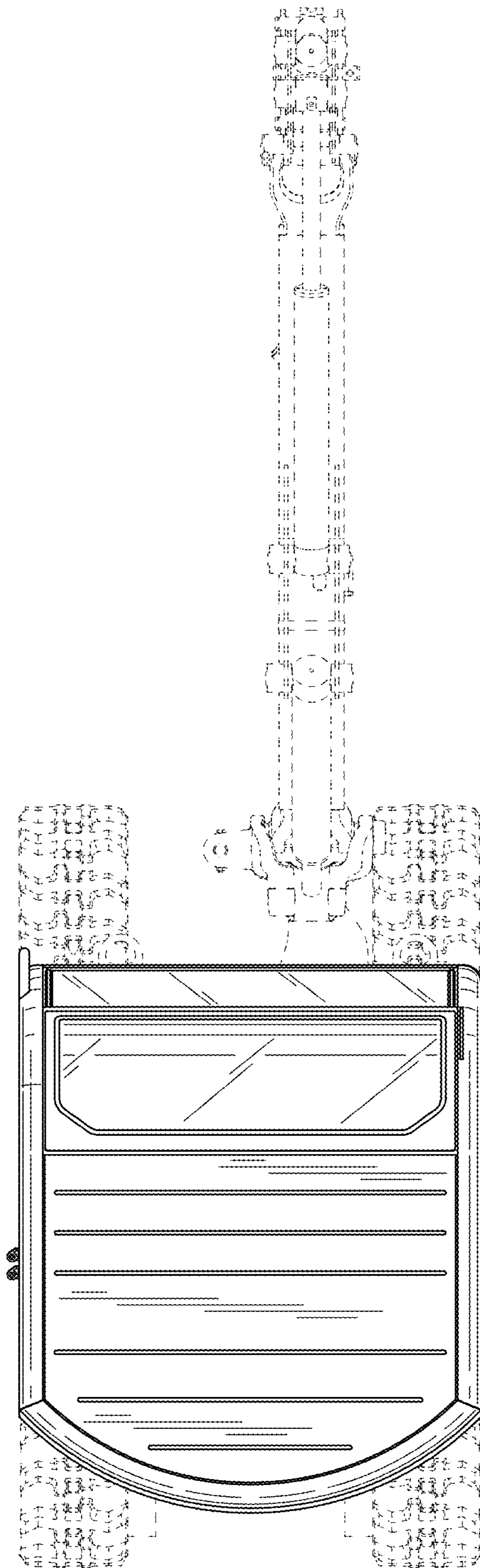


FIG. 6



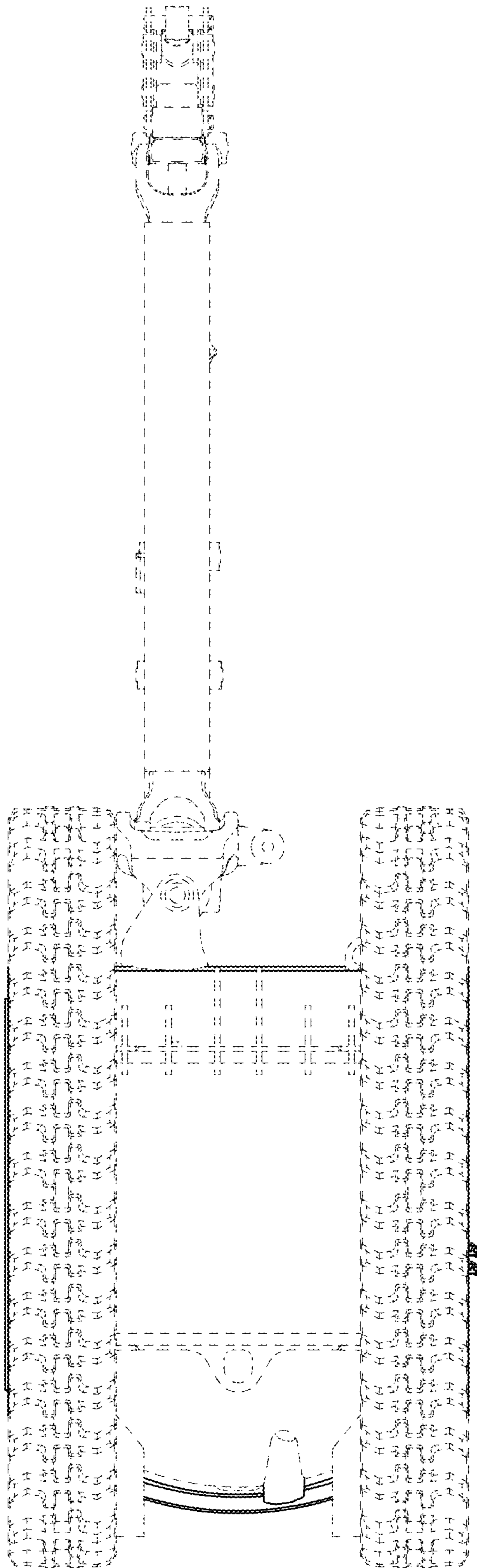


FIG. 7