



US00D774111S

(12) **United States Design Patent** (10) **Patent No.:** **US D774,111 S**  
**Underhill et al.** (45) **Date of Patent:** **\*\* Dec. 13, 2016**

(54) **CAB AND REAR FENDER FOR A BACKHOE LOADER**

(71) Applicant: **J.C. BAMFORD EXCAVATORS LIMITED**, Rocester, Staffordshire (GB)

(72) Inventors: **Thomas Edward Underhill**, Rocester (GB); **Samuel John Jilbert**, Uttoxeter (GB)

(73) Assignee: **J.C. BAMFORD EXCAVATORS LIMITED**, Uttoxeter (GB)

(\*\*) Term: **15 Years**

(21) Appl. No.: **29/539,092**

(22) Filed: **Sep. 10, 2015**

(30) **Foreign Application Priority Data**

Mar. 10, 2015 (EM) ..... 001431910

(51) **LOC (10) Cl.** ..... **15-03**

(52) **U.S. Cl.**  
USPC ..... **D15/30**

(58) **Field of Classification Search**  
USPC ..... D15/10, 22, 26, 28, 30, 31; 180/89.11, 180/89.12, 89.13, 89.19, 90; 296/190.01, 296/190.08, 210, 190, 202  
CPC ..... B66C 13/54; E02F 9/16; E02F 9/163; B62D 33/0617; B60J 7/00; B60J 1/004  
See application file for complete search history.

(56) **References Cited**

U.S. PATENT DOCUMENTS

D384,358 S *	9/1997	Smith	.....	D15/30
D531,646 S *	11/2006	McCarren, Jr.	.....	D15/30
D531,647 S *	11/2006	Stender	.....	D15/30
D541,825 S *	5/2007	Pettersson	.....	D15/30
D541,826 S *	5/2007	Brush	.....	D15/30

D561,205 S *	2/2008	Pettersson	.....	D15/30
D579,028 S *	10/2008	VanDeVeer	.....	D15/30
D595,745 S *	7/2009	Jorgensen	.....	D15/30
D603,881 S *	11/2009	Tamplain, III	.....	D15/30
D605,207 S *	12/2009	Menges	.....	D15/30
D660,881 S *	5/2012	Bohme	.....	D15/30
D668,693 S *	10/2012	Ringer	.....	D15/30

(Continued)

*Primary Examiner* — Mark Goodwin

(74) *Attorney, Agent, or Firm* — Marshall, Gerstein & Borun LLP

(57) **CLAIM**

The ornamental design for a cab and rear fender for a backhoe loader, as shown and described.

**DESCRIPTION**

FIG. 1 is a front, right-side, and top view of a cab and rear fender for a backhoe loader showing one embodiment of the new design.

FIG. 2 is a front elevation view of the cab and rear fender for a backhoe loader.

FIG. 3 is a rear elevation view of the cab and rear fender for a backhoe loader.

FIG. 4 is a front elevation view showing the placement of the cab and rear fender on the hood of a backhoe loader.

FIG. 5 is a top plan view of the cab and rear fender of a backhoe loader.

FIG. 6 is a front, left-side, and top view of the cab and rear fender of a backhoe loader.

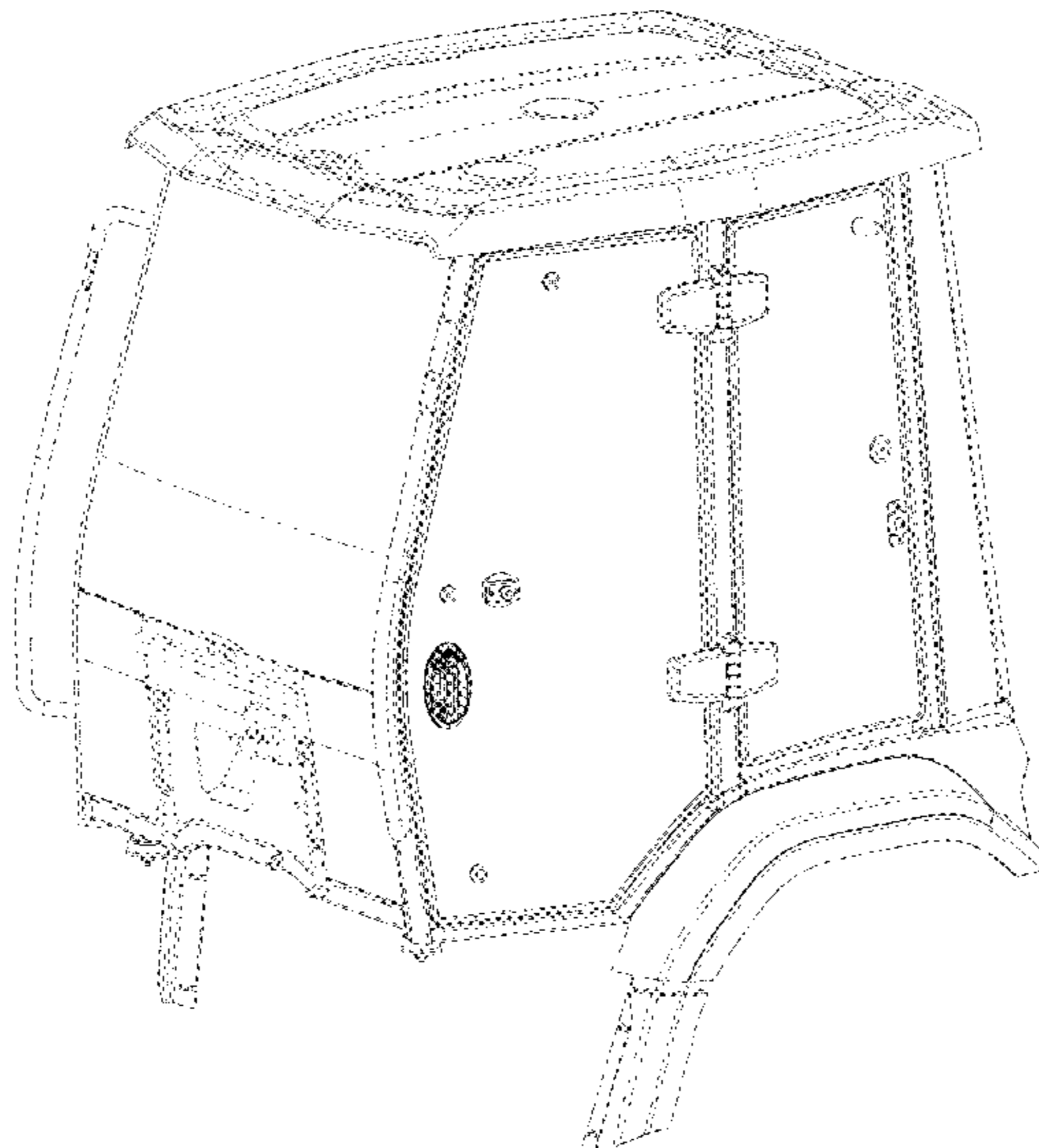
FIG. 7 is a right-side elevation view showing the placement of the cab and rear fender on a backhoe loader; and,

FIG. 8 is a left-side elevation view showing the placement of the cab and rear fender on a backhoe loader.

The broken lines represent environmental structure and form no part of the claimed design.

Any elements that are not clearly disclosed are not part of the claimed design.

**1 Claim, 8 Drawing Sheets**



(56)

**References Cited**

U.S. PATENT DOCUMENTS

D670,745 S	*	11/2012	Warr .....	D15/30
D714,837 S	*	10/2014	Jacobsthal .....	D15/30
D720,370 S	*	12/2014	Carter .....	D15/30
D736,270 S	*	8/2015	Jackson .....	D15/30
D749,148 S	*	2/2016	Darekar .....	D15/30
D751,123 S	*	3/2016	Kazakoff .....	D15/30

\* cited by examiner

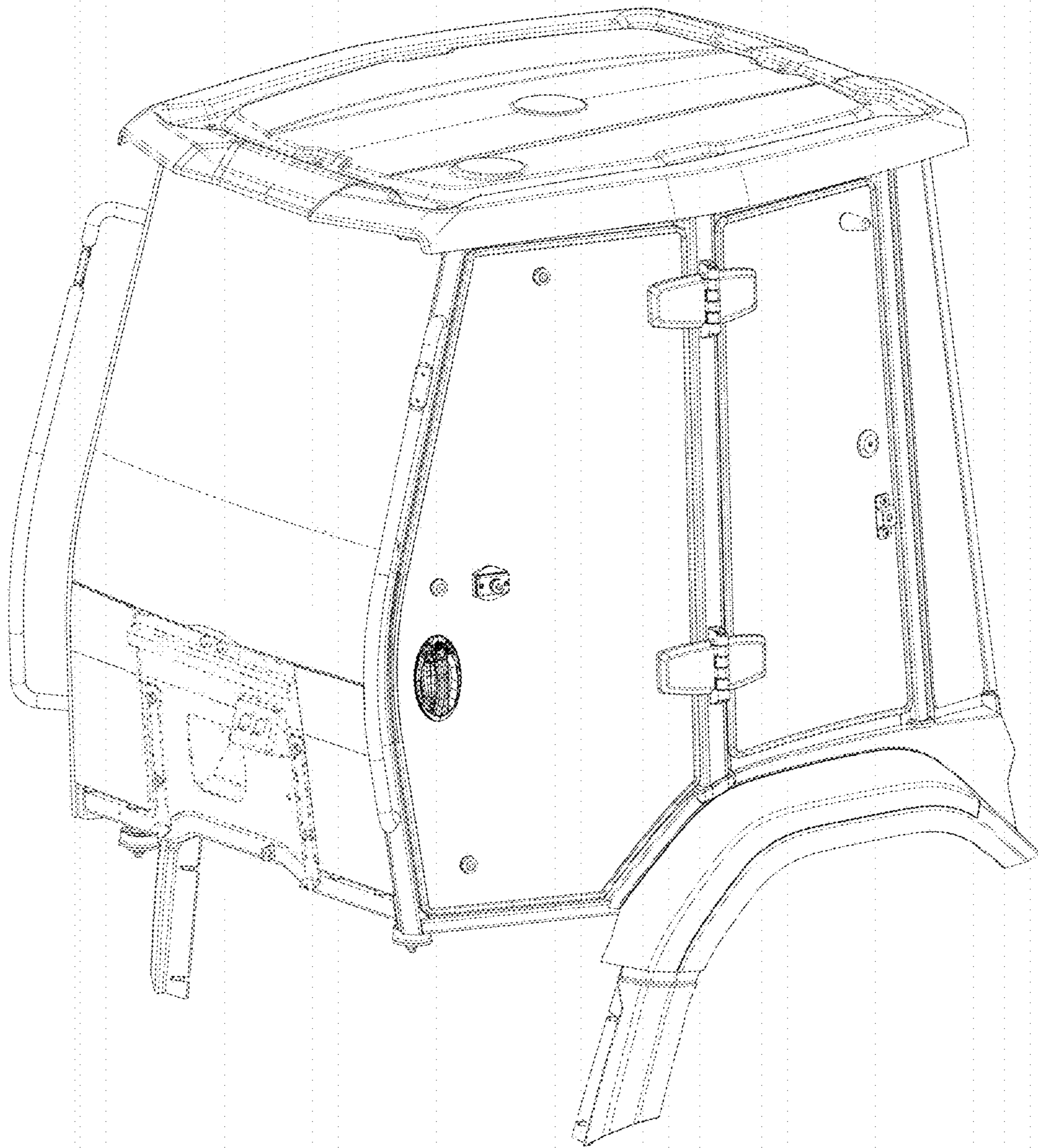


Fig. 1

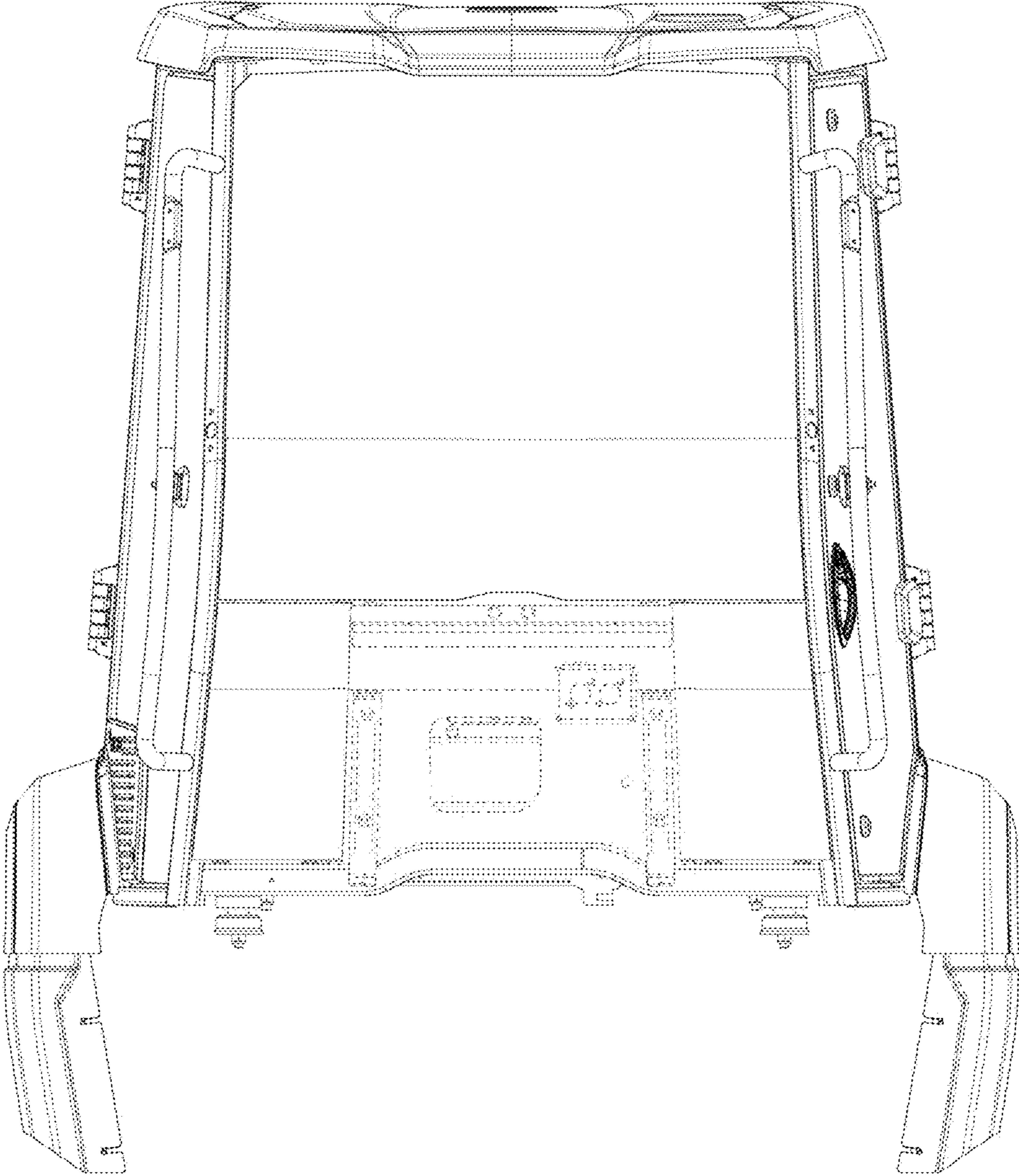


Fig. 2

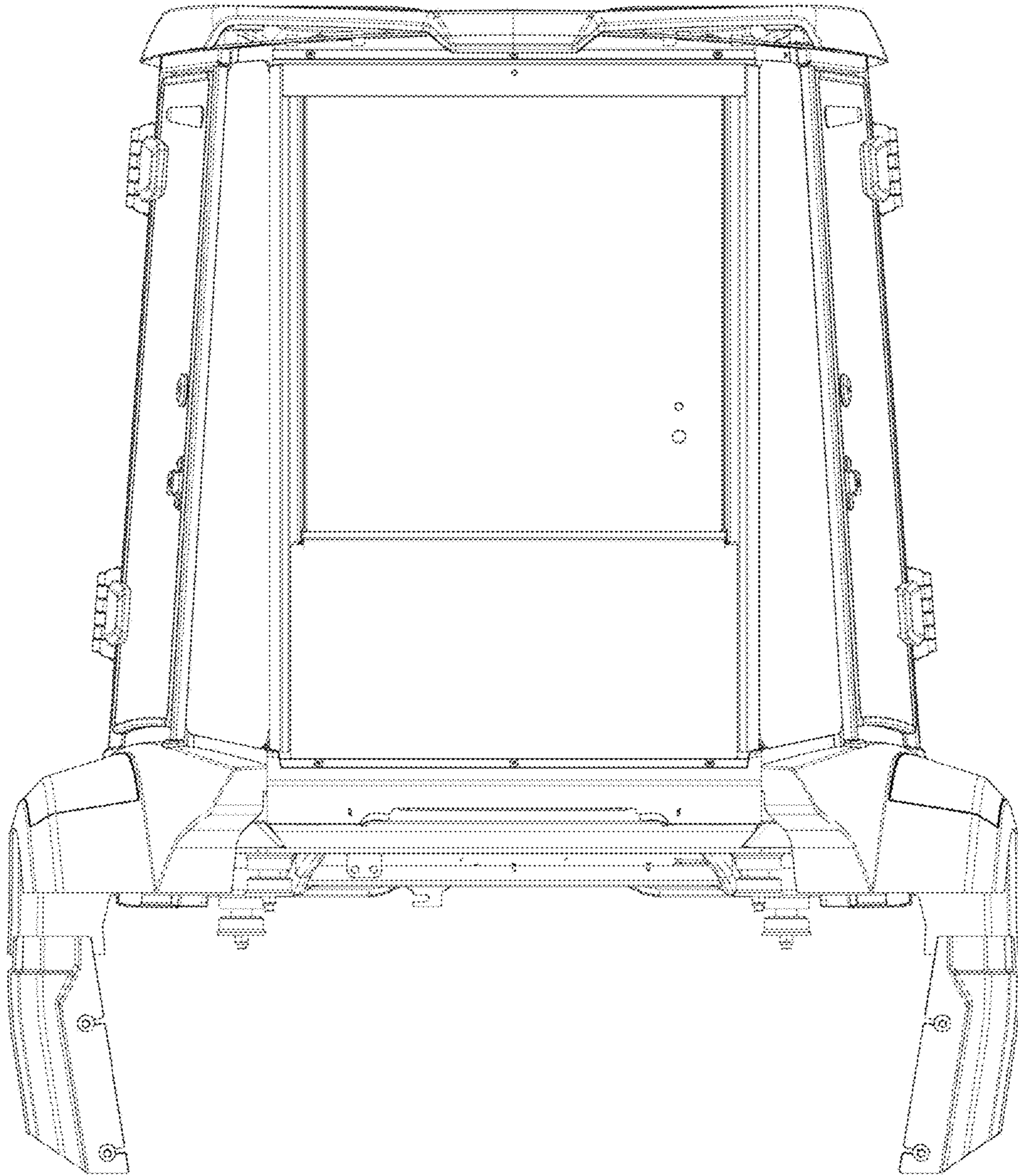


Fig. 3

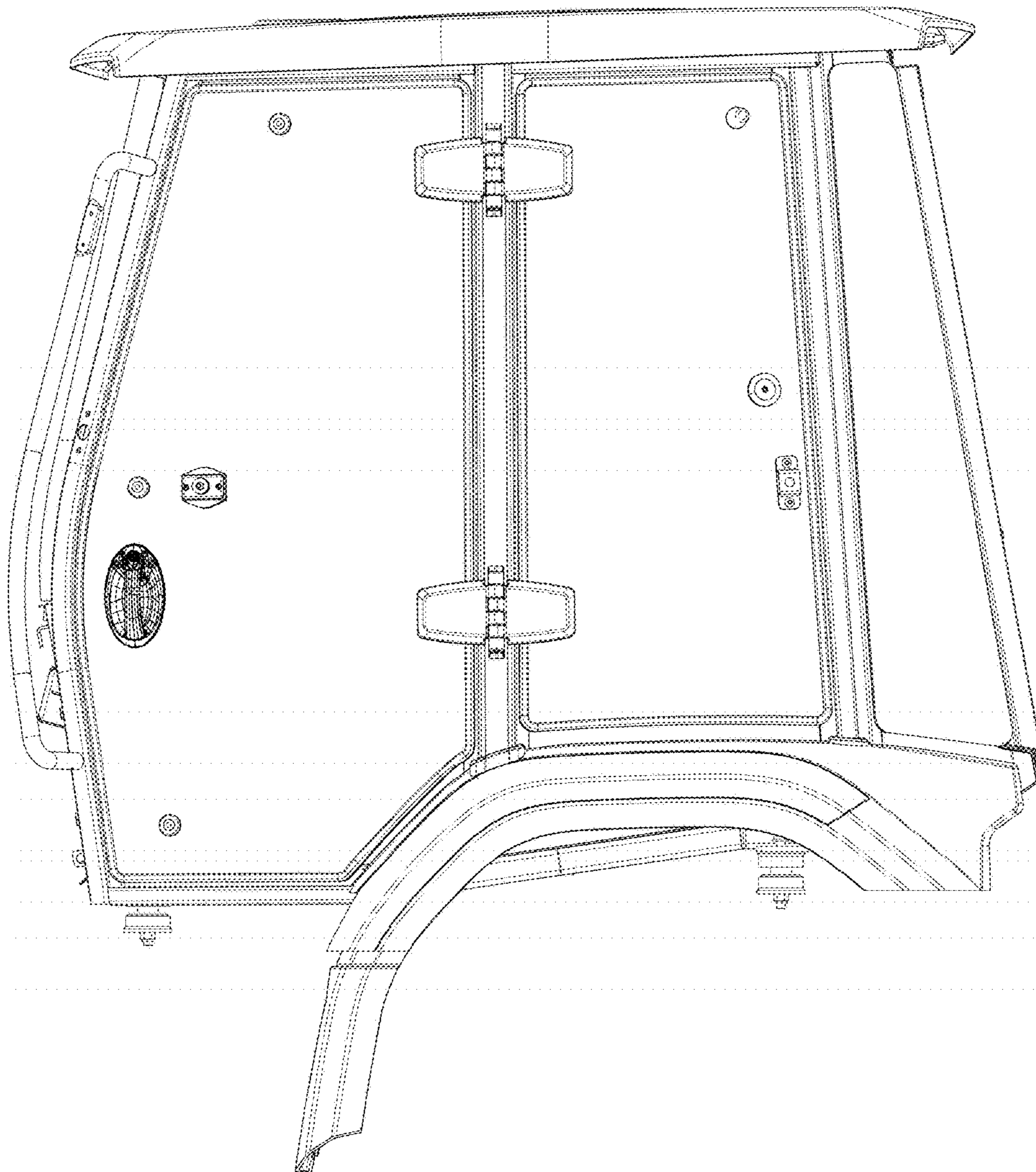


Fig. 4

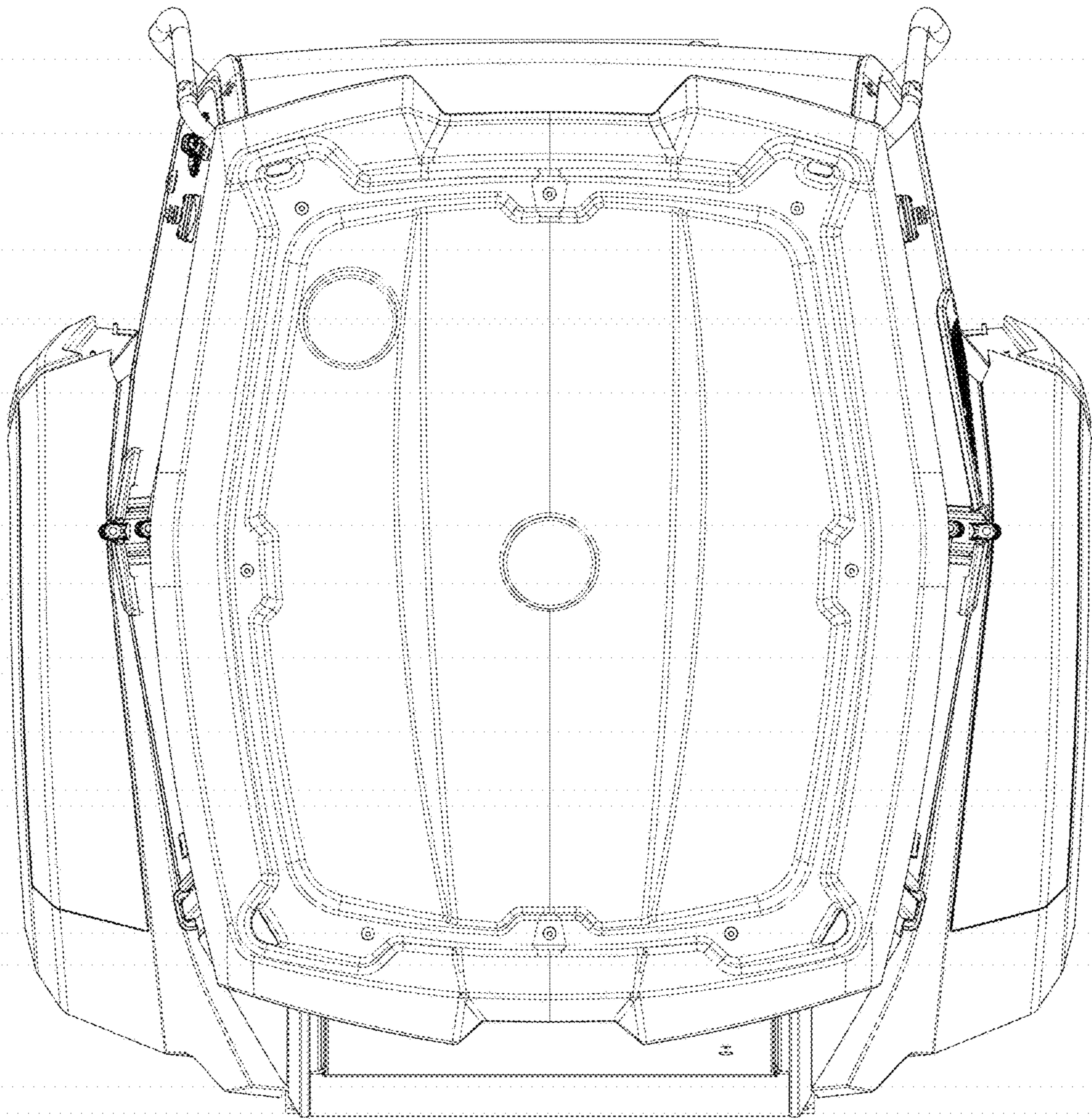


Fig. 5

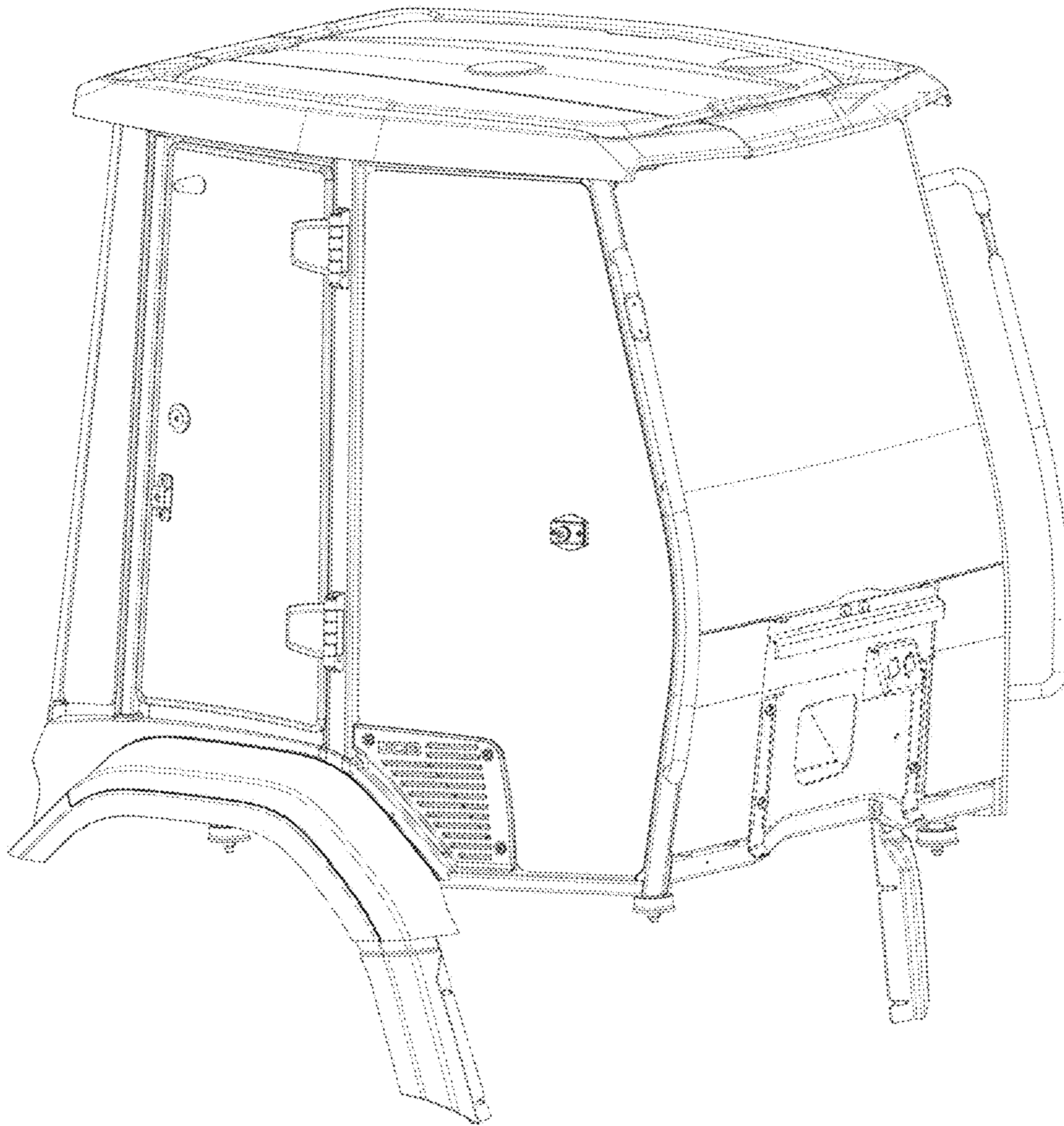


Fig. 6



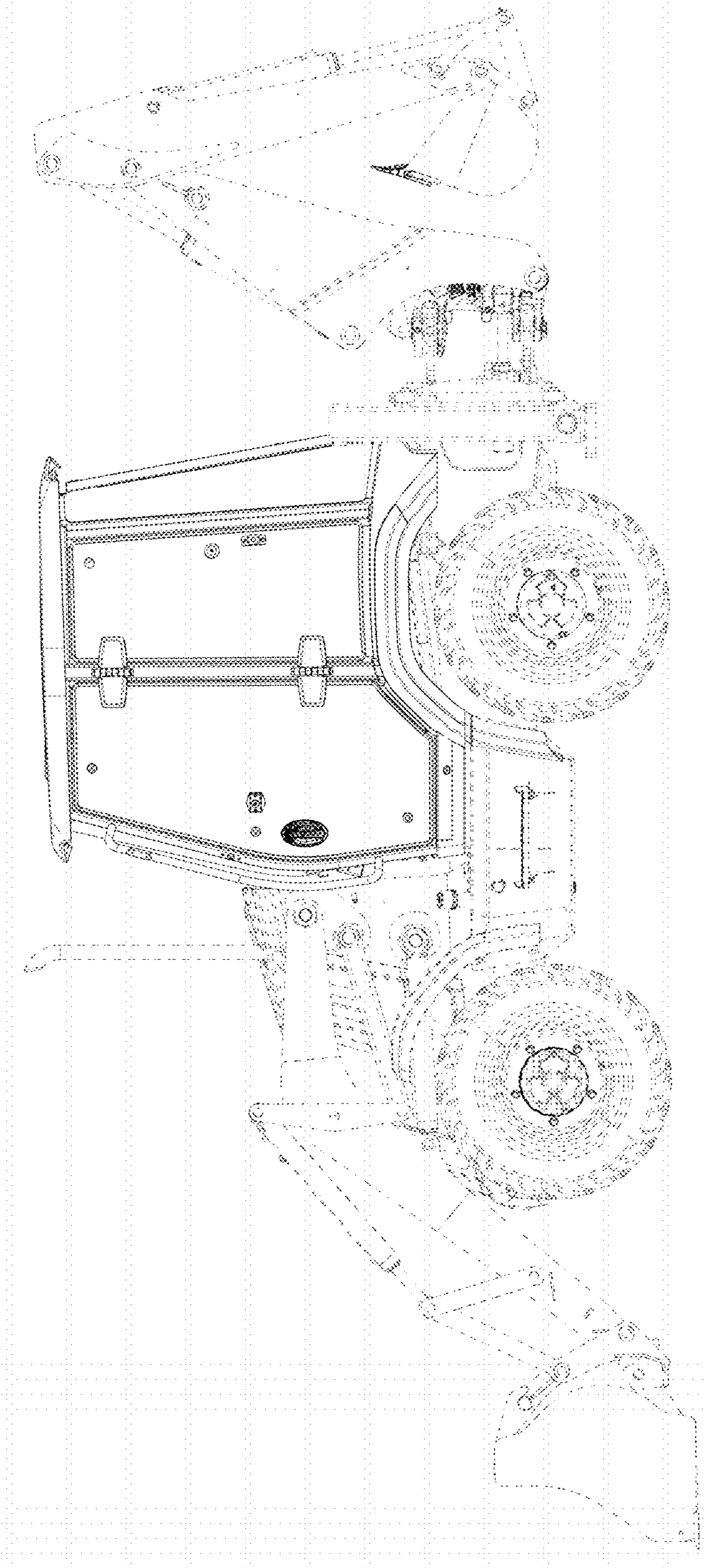


Fig. 7

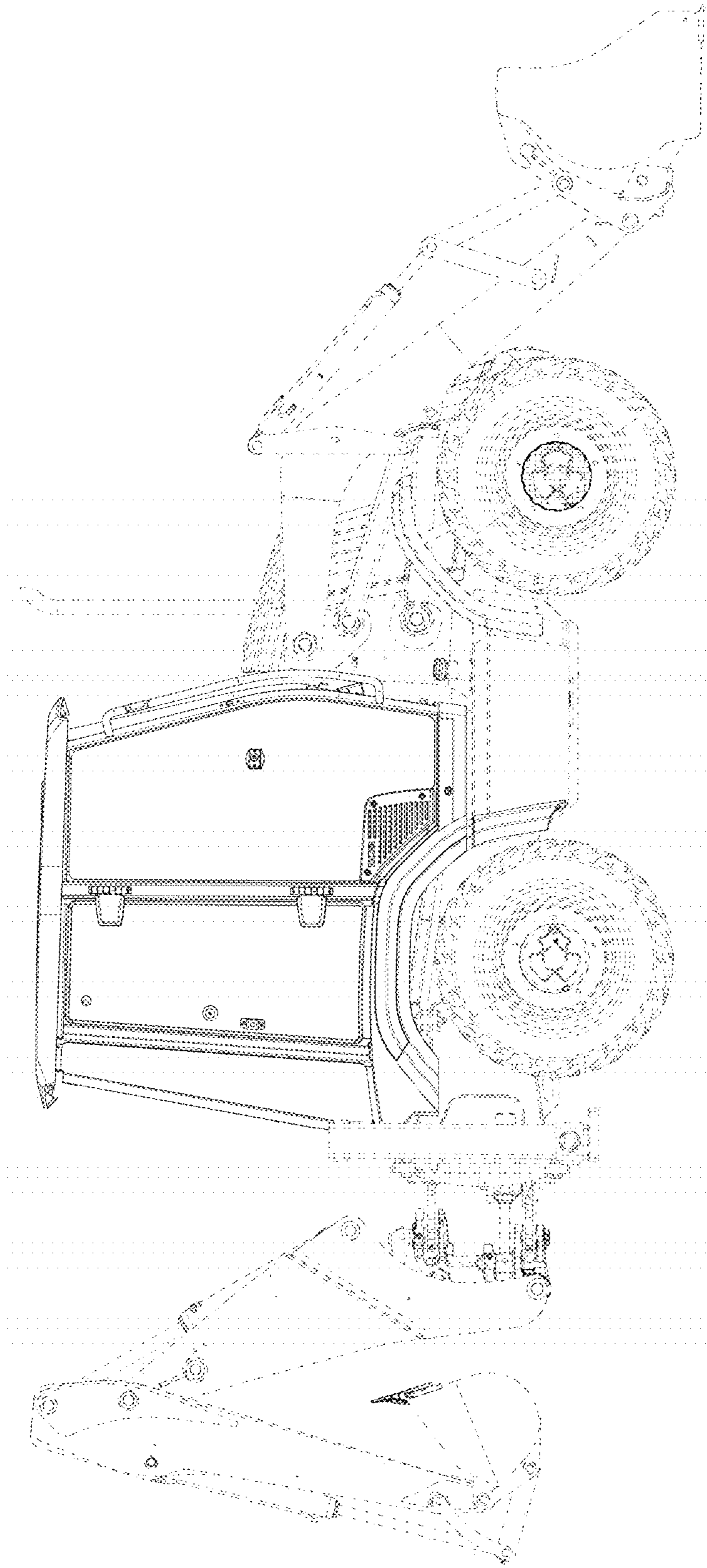


Fig. 8