



US00D774107S

(12) **United States Design Patent**
Fiser et al.

(10) **Patent No.:** **US D774,107 S**

(45) **Date of Patent:** **** Dec. 13, 2016**

- (54) **EXCAVATOR BODY EXTERIOR**
- (71) Applicant: **Clark Equipment Company**, West Fargo, ND (US)
- (72) Inventors: **Jaroslav Fiser**, Pribram (CZ); **Petr Kratochvil**, Pribram (CZ); **Karel Vanek**, Mnisek pod Brdy (CZ)
- (73) Assignee: **Clark Equipment Company**, West Fargo, ND (US)

- D591,773 S * 5/2009 Ueta D15/22
- D593,137 S * 5/2009 Ueta D15/28
- D594,037 S * 6/2009 Uemura D15/30
- D607,904 S * 1/2010 Reisenauer D15/30
- D631,067 S * 1/2011 Nishimura D15/22
- D635,592 S * 4/2011 Shimomura D15/28
- D660,323 S * 5/2012 Hiraoka D15/28
- D663,327 S * 7/2012 Namura D15/30
- D678,917 S * 3/2013 Hagura D15/28
- D684,598 S * 6/2013 Hagura D15/24
- D684,602 S * 6/2013 Hagura D15/28
- D684,604 S * 6/2013 Saito D15/28

(Continued)

(**) Term: **15 Years**

(21) Appl. No.: **29/543,063**

(22) Filed: **Oct. 20, 2015**

(51) **LOC (10) Cl.** **15-03**

(52) **U.S. Cl.**
USPC **D15/28**

(58) **Field of Classification Search**
USPC D15/10, 22-26, 28, 30, 31, 33; 180/89.1, 180/89.12, 89.13, 900, 9.1, 9.2, 9.62; 414/694, 414/699, 722-724, 660, 685, 698, 719, 743; 37/379
CPC E02F 9/163; E02F 9/0886; E02F 9/18; E02F 3/32; E02F 3/76; E02F 3/40; F01N 13/001; F01N 2590/08

See application file for complete search history.

(56) **References Cited**

U.S. PATENT DOCUMENTS

- D481,044 S * 10/2003 Tokach D15/30
- D487,575 S * 3/2004 Wetzel D15/33
- D494,986 S * 8/2004 Tokach D15/30
- D506,211 S * 6/2005 Kuwae D15/33
- D508,498 S * 8/2005 Shimokakiuchi D15/24
- D509,514 S * 9/2005 Shimokakiuchi D15/24
- D538,305 S * 3/2007 Smith D15/30
- D562,354 S * 2/2008 Imashige D15/28
- D582,946 S * 12/2008 Ochi D15/28
- D590,847 S * 4/2009 Yonekura D15/25

OTHER PUBLICATIONS

U.S. Design Patent Application with U.S. Appl. No. 29/543,049, filed Oct. 20, 2015, 8 pages.

(Continued)

Primary Examiner — Mark Goodwin

(74) *Attorney, Agent, or Firm* — John D.

Veldhuis-Kroeze; Westman, Champlin & Koehler, P.A.

(57) **CLAIM**

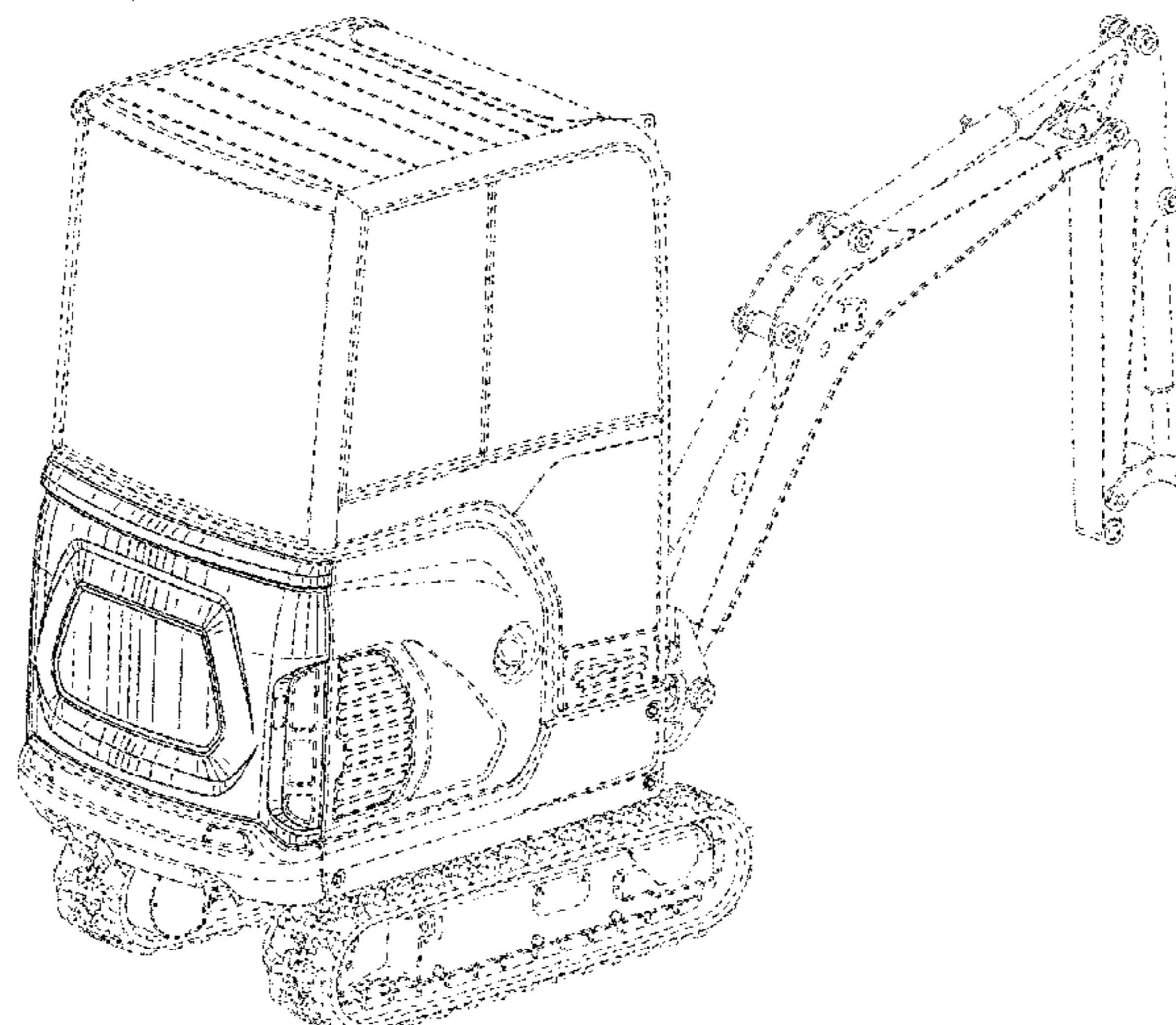
The ornamental design for an excavator body exterior, as shown and described.

DESCRIPTION

FIG. 1 is a perspective view of the excavator body exterior showing our new design; FIG. 2 is a right side view thereof; FIG. 3 is a left side view thereof; FIG. 4 is a front view thereof; FIG. 5 is a back view of thereof; FIG. 6 is a top view thereof; and, FIG. 7 is a bottom view thereof.

The broken lines shown in the drawings are included for purposes of illustrating portions of the excavator, excavator body, and excavator cab and form no part of the claimed design.

1 Claim, 7 Drawing Sheets



(56)

References Cited

U.S. PATENT DOCUMENTS

D684,605	S	*	6/2013	Hagura	D15/28
D684,606	S	*	6/2013	Hagura	D15/28
D689,530	S	*	9/2013	Miyata	D15/30
D692,924	S	*	11/2013	Hatanaka	D15/24
D707,261	S	*	6/2014	Caboret	D15/24
D711,927	S	*	8/2014	Yoshita	D15/24
D715,330	S	*	10/2014	Hutchinson	D15/22
D715,331	S	*	10/2014	Hutchinson	D15/22
D716,845	S	*	11/2014	Hayami	D15/24
D717,346	S	*	11/2014	Ishii	D15/28
D725,680	S	*	3/2015	Mishio	D15/24
D735,771	S	*	8/2015	Imashige	D15/28
D738,403	S	*	9/2015	Imashige	D15/22
D750,671	S	*	3/2016	Imashige	D15/22
D750,672	S	*	3/2016	Payne	D15/25
D750,673	S	*	3/2016	Imashige	D15/28
D752,112	S	*	3/2016	Hagura	D15/24

OTHER PUBLICATIONS

U.S. Design Patent Application with U.S. Appl. No. 29/543,052,
filed Oct. 20, 2015, 8 pages.

U.S. Design Patent Application with U.S. Appl. No. 29/543,056,
filed Oct. 20, 2015, 8 pages.

U.S. Design Patent Application with U.S. Appl. No. 29/543,057,
filed Oct. 20, 2015, 8 pages.

* cited by examiner

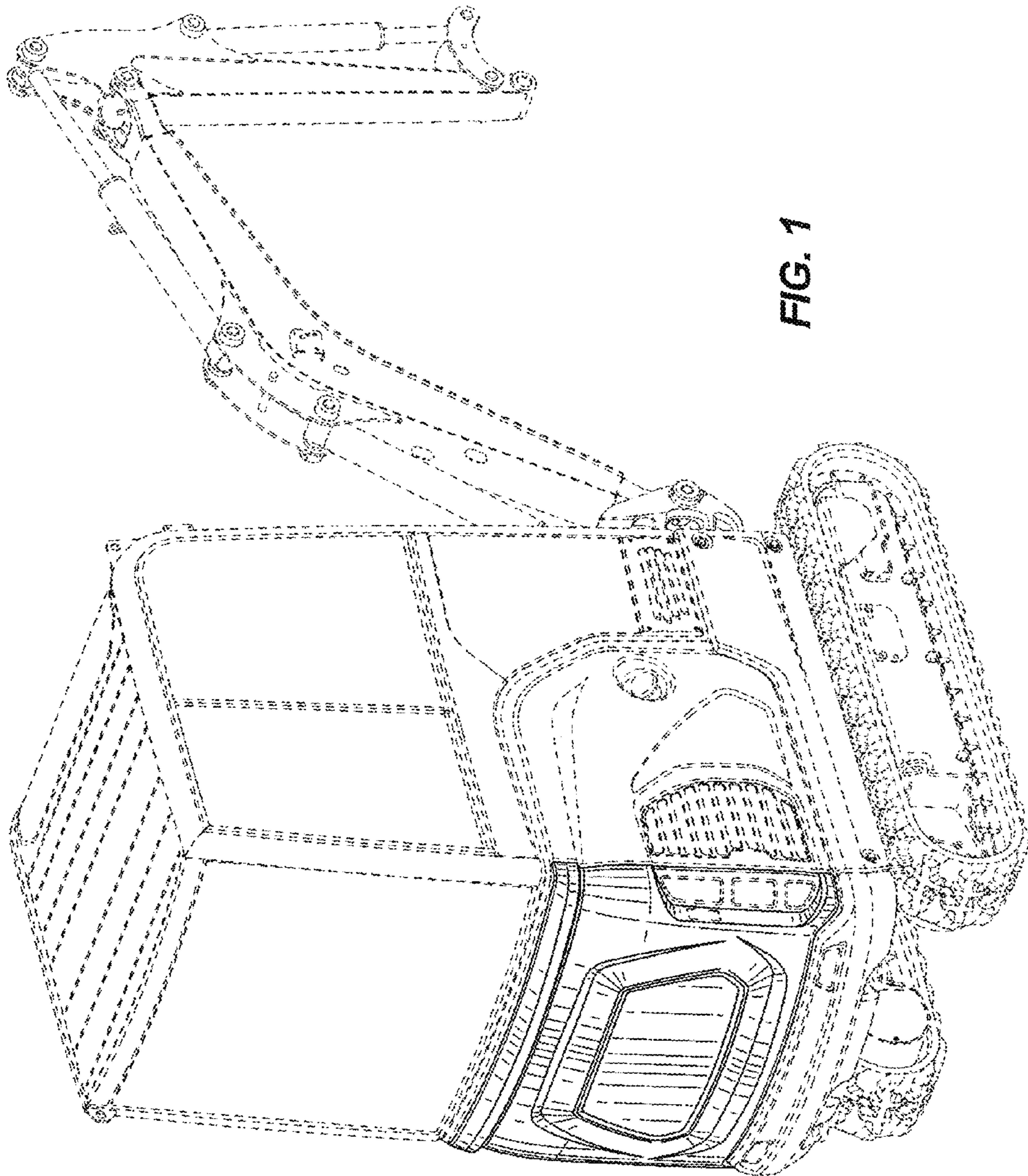


FIG. 1

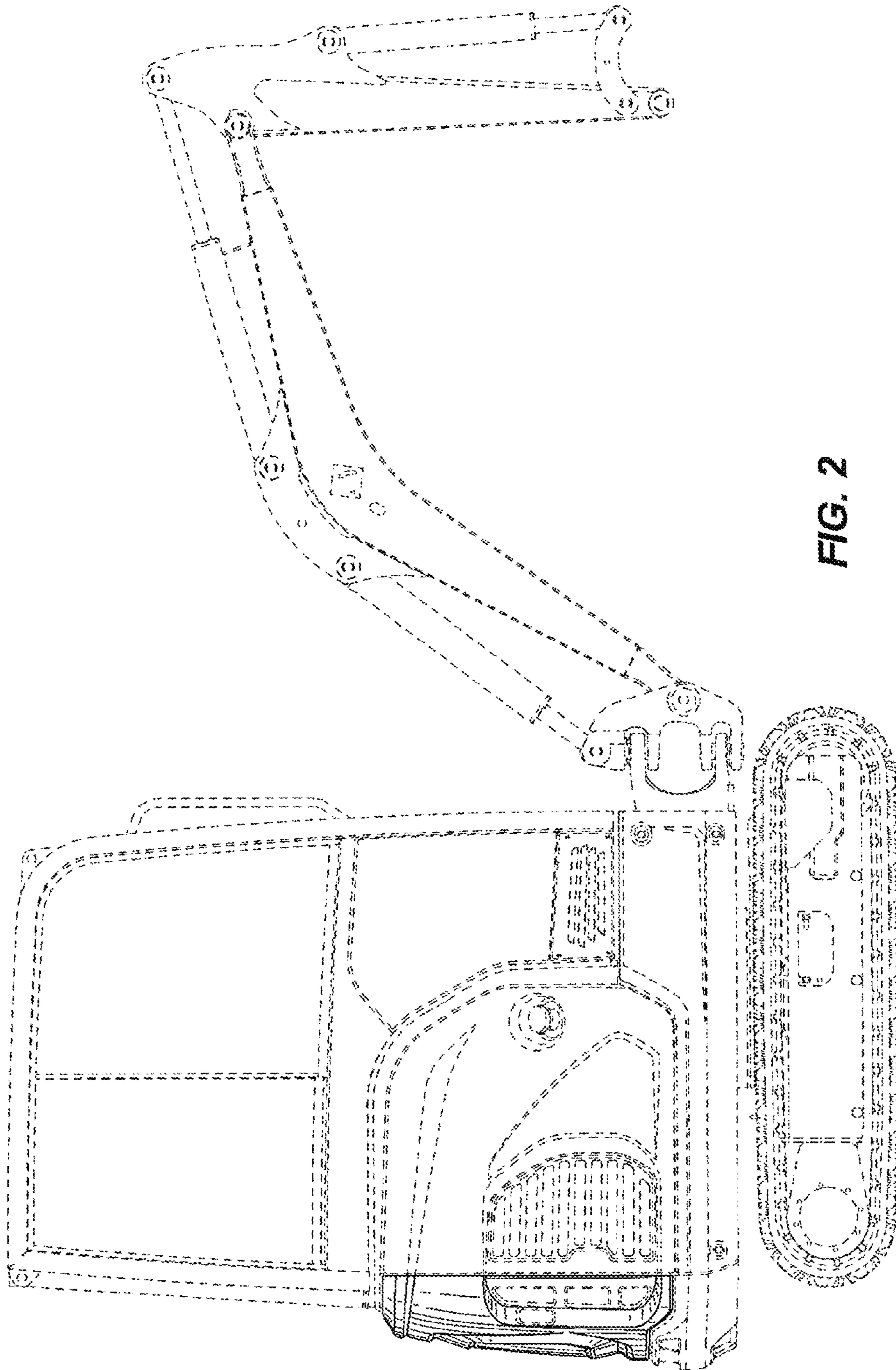


FIG. 2

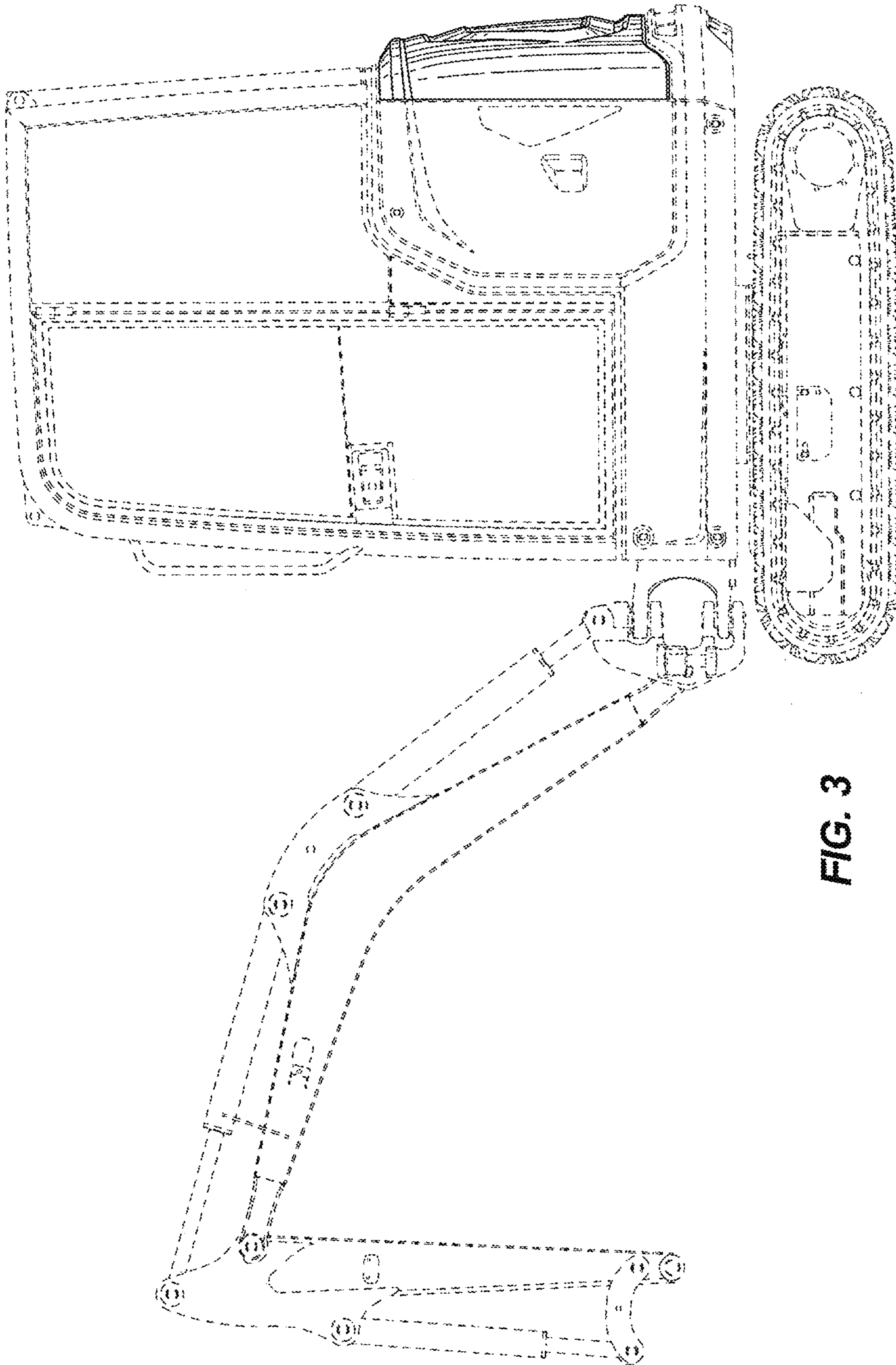


FIG. 3

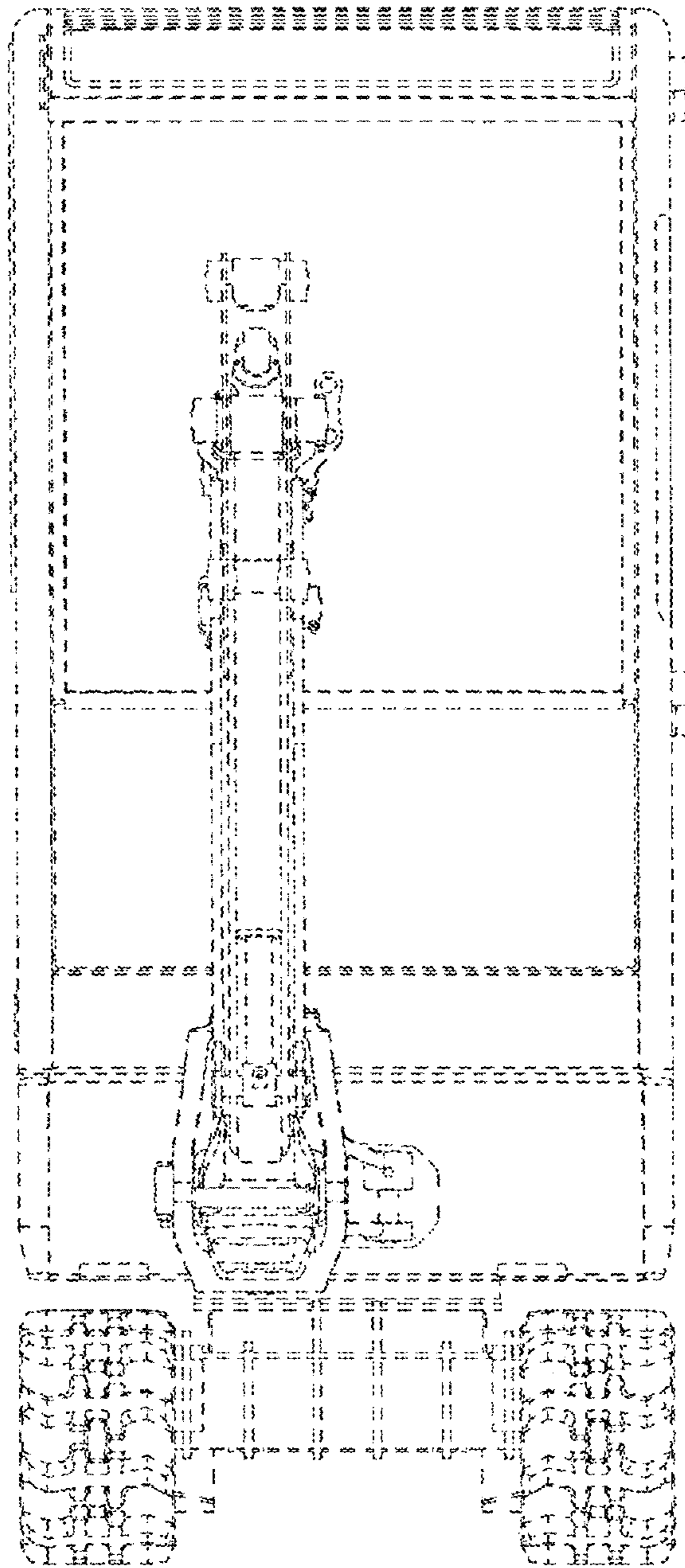


FIG. 4

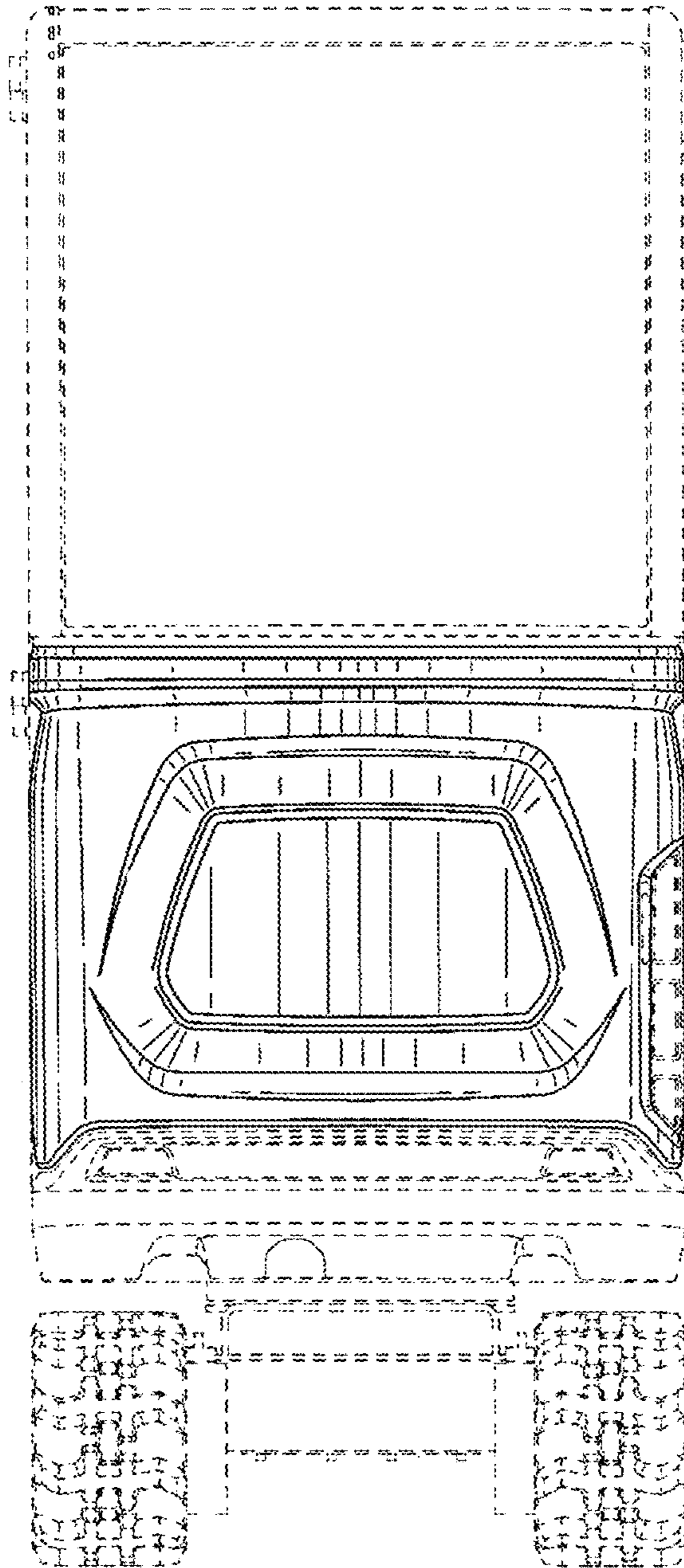


FIG. 5

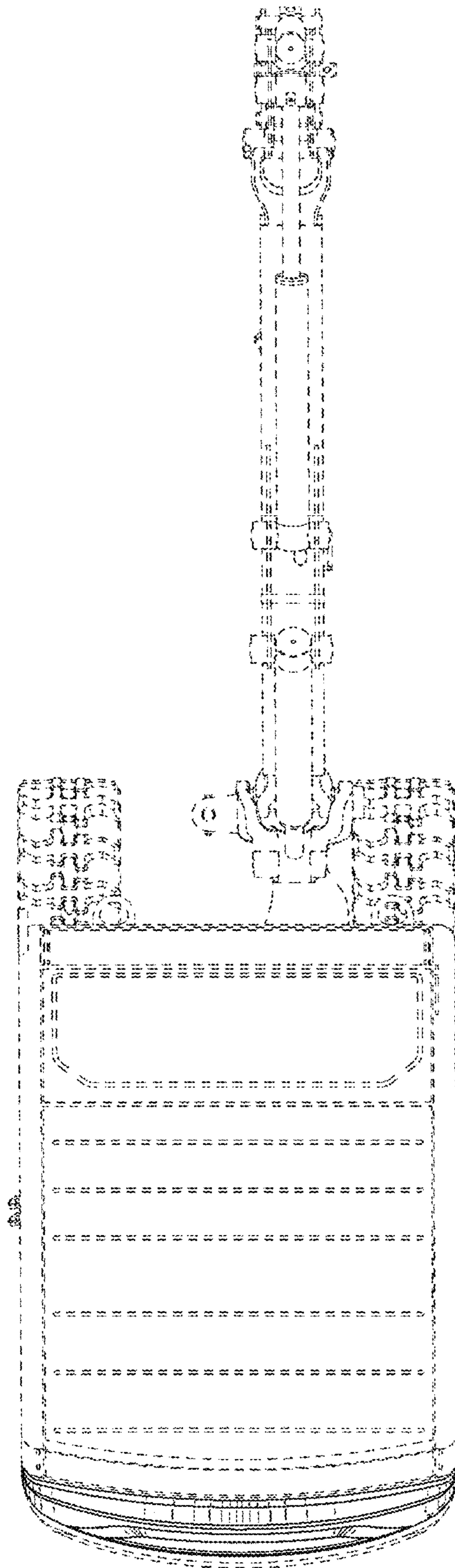


FIG. 6

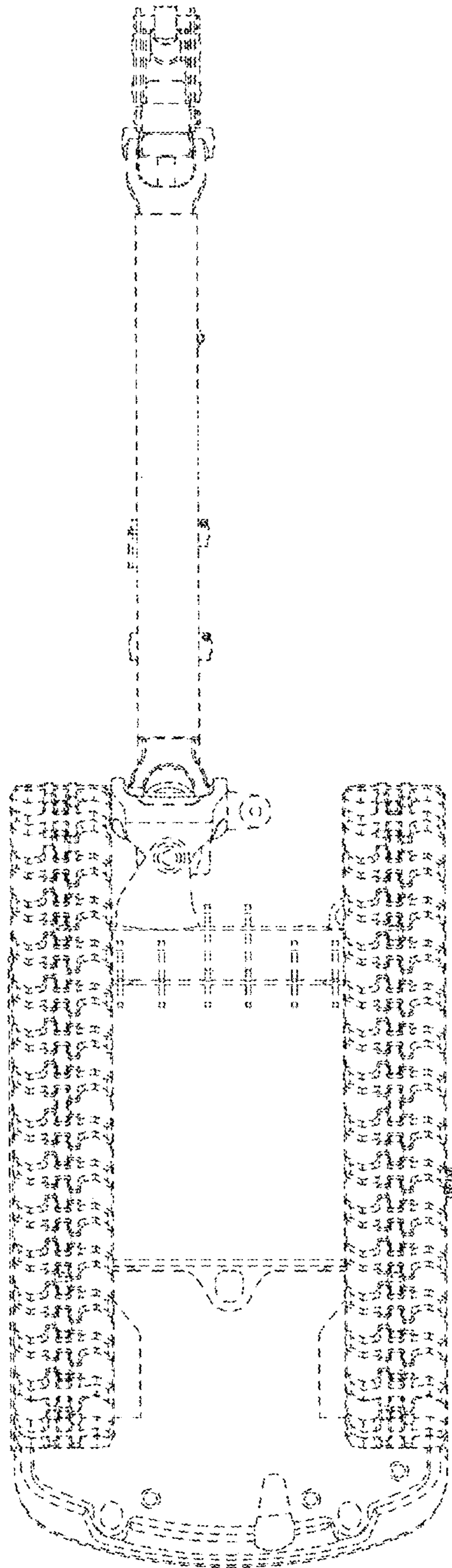


FIG. 7