



US00D774102S

(12) **United States Design Patent**
Ellman et al.

(10) **Patent No.:** **US D774,102 S**

(45) **Date of Patent:** **** Dec. 13, 2016**

(54) **INFLATOR WITH REMOVABLE LIGHT**

(71) Applicants: **Chad Ellman**, Avila Beach, CA (US);
Carey C. Costle, Tucson, AZ (US);
Brendan P. Kelso, Atascadero, CA (US)

(72) Inventors: **Chad Ellman**, Avila Beach, CA (US);
Carey C. Costle, Tucson, AZ (US);
Brendan P. Kelso, Atascadero, CA (US)

(73) Assignee: **Illinois Tool Works Inc.**, Glenview, IL (US)

(**) Term: **15 Years**

(21) Appl. No.: **29/543,527**

(22) Filed: **Oct. 26, 2015**

(51) **LOC (10) Cl.** **15-02**

(52) **U.S. Cl.**
USPC **D15/9**

(58) **Field of Classification Search**
USPC D15/7-9; D23/231, 232, 225; 417/60,
417/235, 265, 321, 355, 358, 363, 359,
417/410.1, 415-416, 405, 900, 269, 539;
60/408, 412; 184/26-37; 415/140-147;
123/495, 509; 137/565.34
CPC F02M 37/04; F02M 37/14; F04B 53/92;
F04B 1/005
See application file for complete search history.

(56) **References Cited**

U.S. PATENT DOCUMENTS

D177,701 S * 5/1956 Sykes D15/9
D365,107 S * 12/1995 Ward D15/7

D499,744 S * 12/2004 Orschell D15/7
D549,734 S * 8/2007 Chern D15/7
D626,970 S * 11/2010 Moser D15/9
D627,370 S * 11/2010 Moser D15/9
D701,887 S * 4/2014 Haener D15/7
D726,771 S * 4/2015 Pansegrouw D15/7

* cited by examiner

Primary Examiner — Ralf Seifert

(74) *Attorney, Agent, or Firm* — Pauley Erickson & Kottis

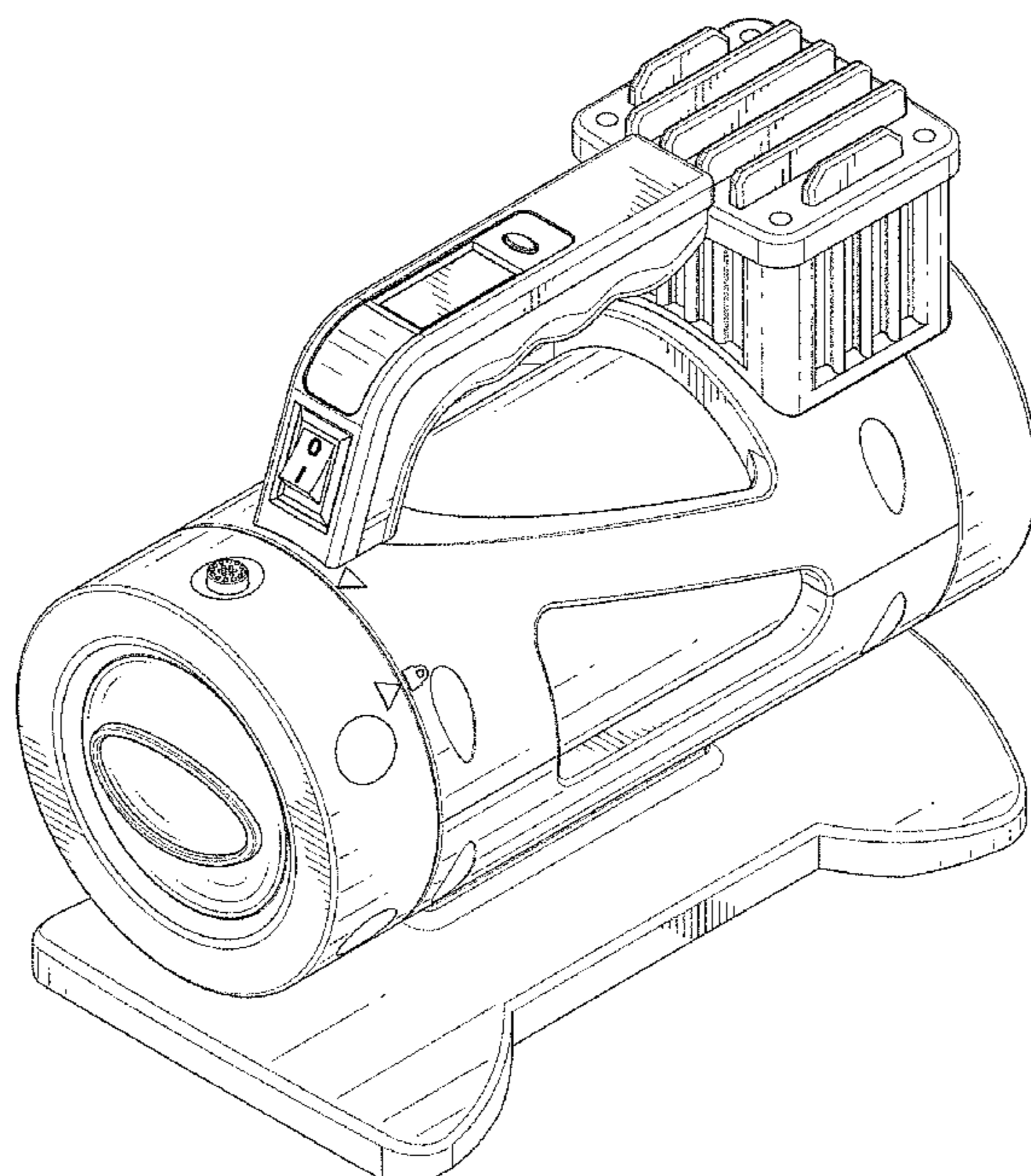
(57) **CLAIM**

The ornamental design for an inflator with removable light, as shown and described.

DESCRIPTION

FIG. 1 is a perspective view of the inflator with removable light, according to one embodiment of this invention; FIG. 2 is a front view of the inflator with removable light shown in FIG. 1; FIG. 3 is a rear view of the inflator with removable light shown in FIG. 1; FIG. 4 is a side view of the inflator with removable light shown in FIG. 1; FIG. 5 is a side view, opposite the side view shown in FIG. 4, of the inflator with removable light shown in FIG. 1; FIG. 6 is a top view of the inflator with removable light shown in FIG. 1; FIG. 7 is a bottom view of inflator with removable light shown in FIG. 1; and, FIG. 8 is a perspective view of the inflator with removable light shown in FIG. 1 with a light in a removed position.

1 Claim, 8 Drawing Sheets



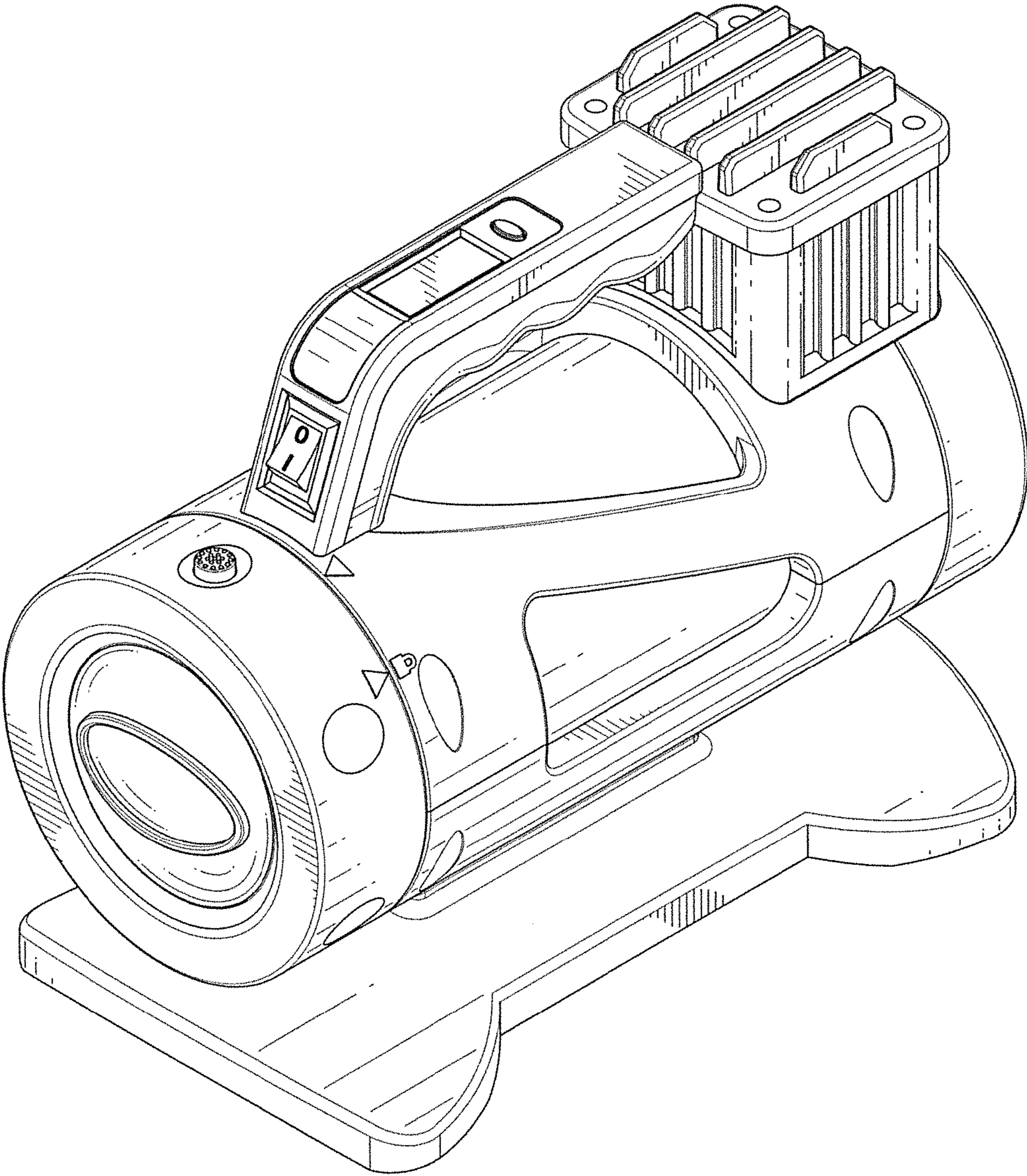


FIG. 1

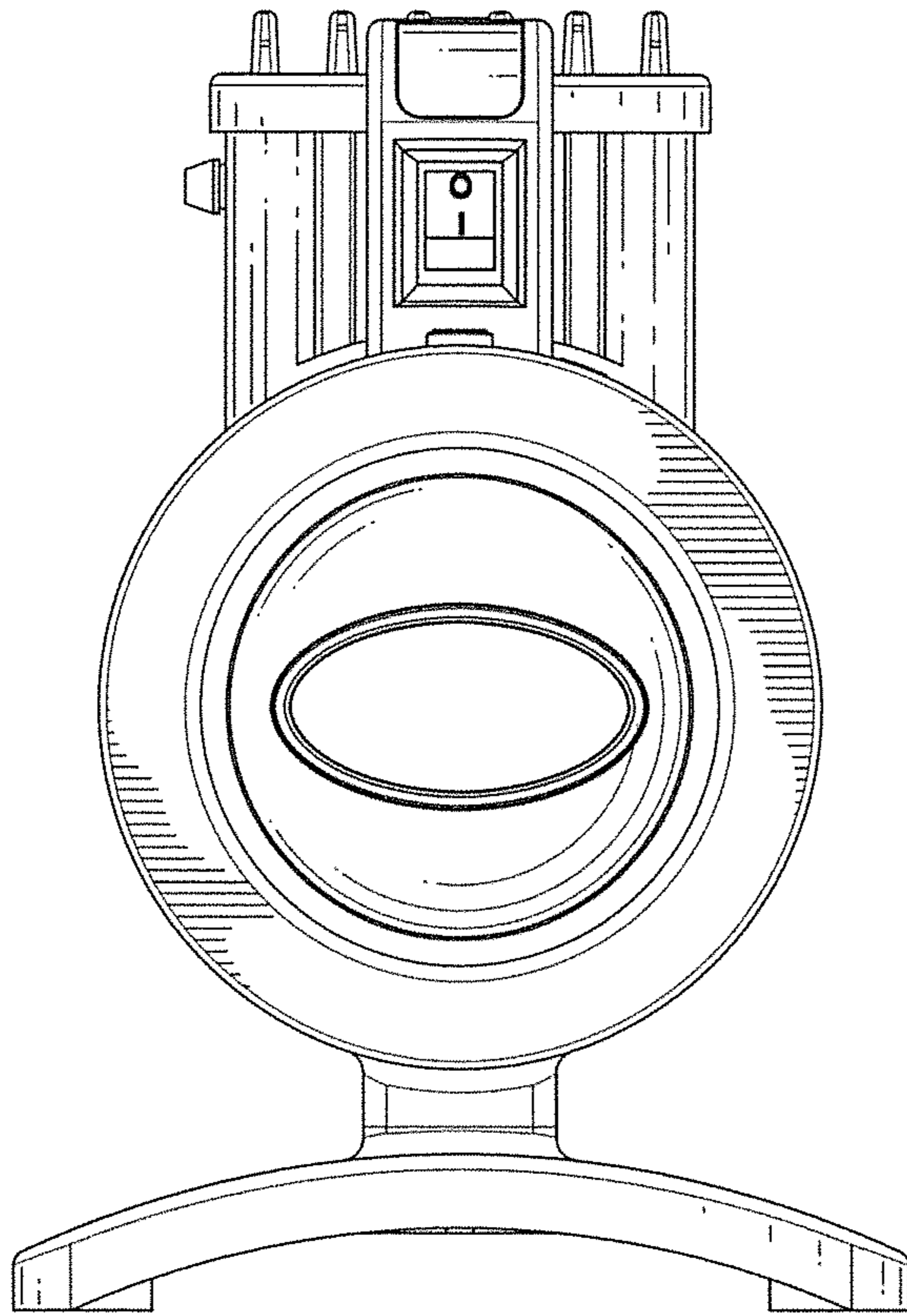


FIG. 2

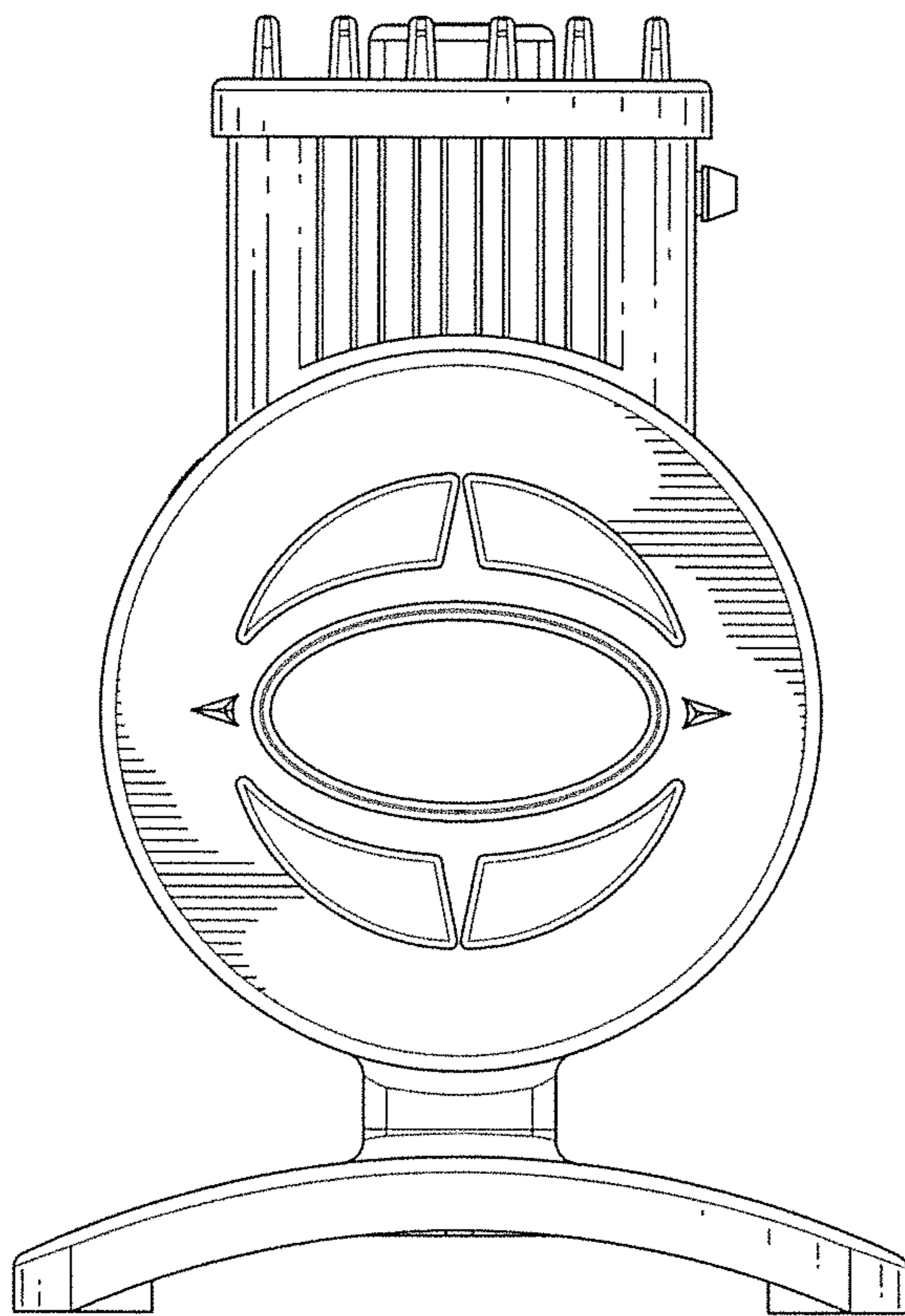


FIG. 3

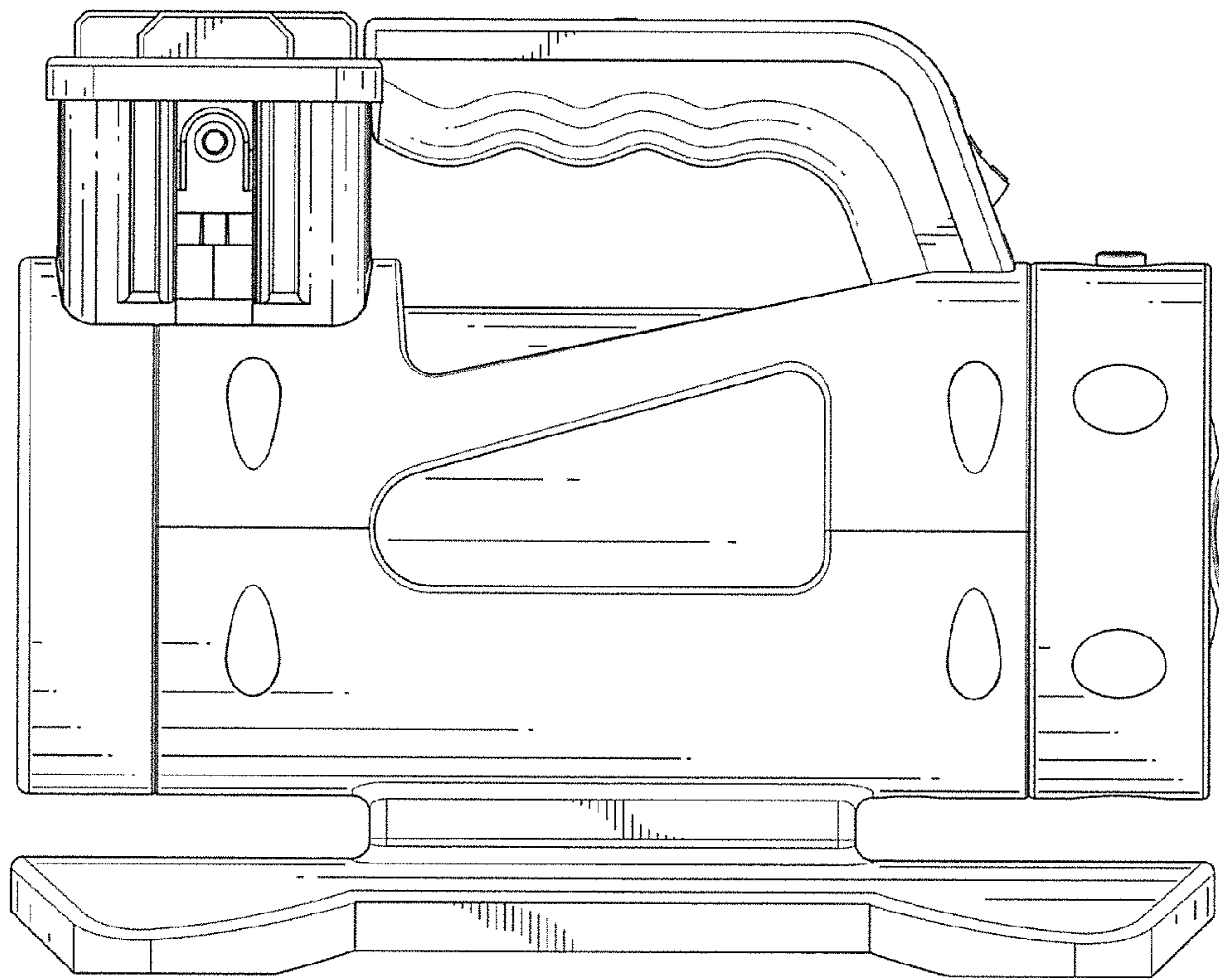


FIG. 4

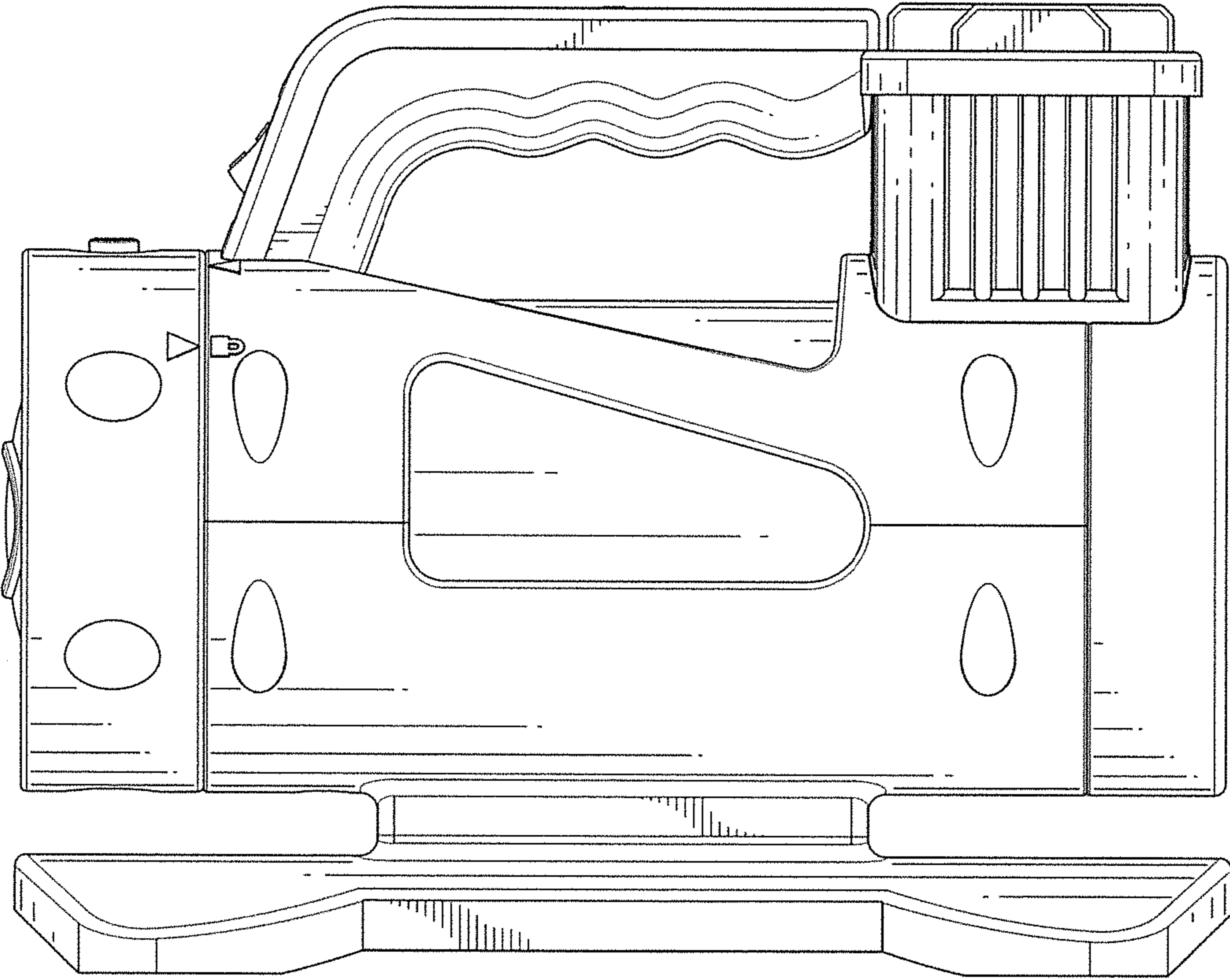


FIG. 5

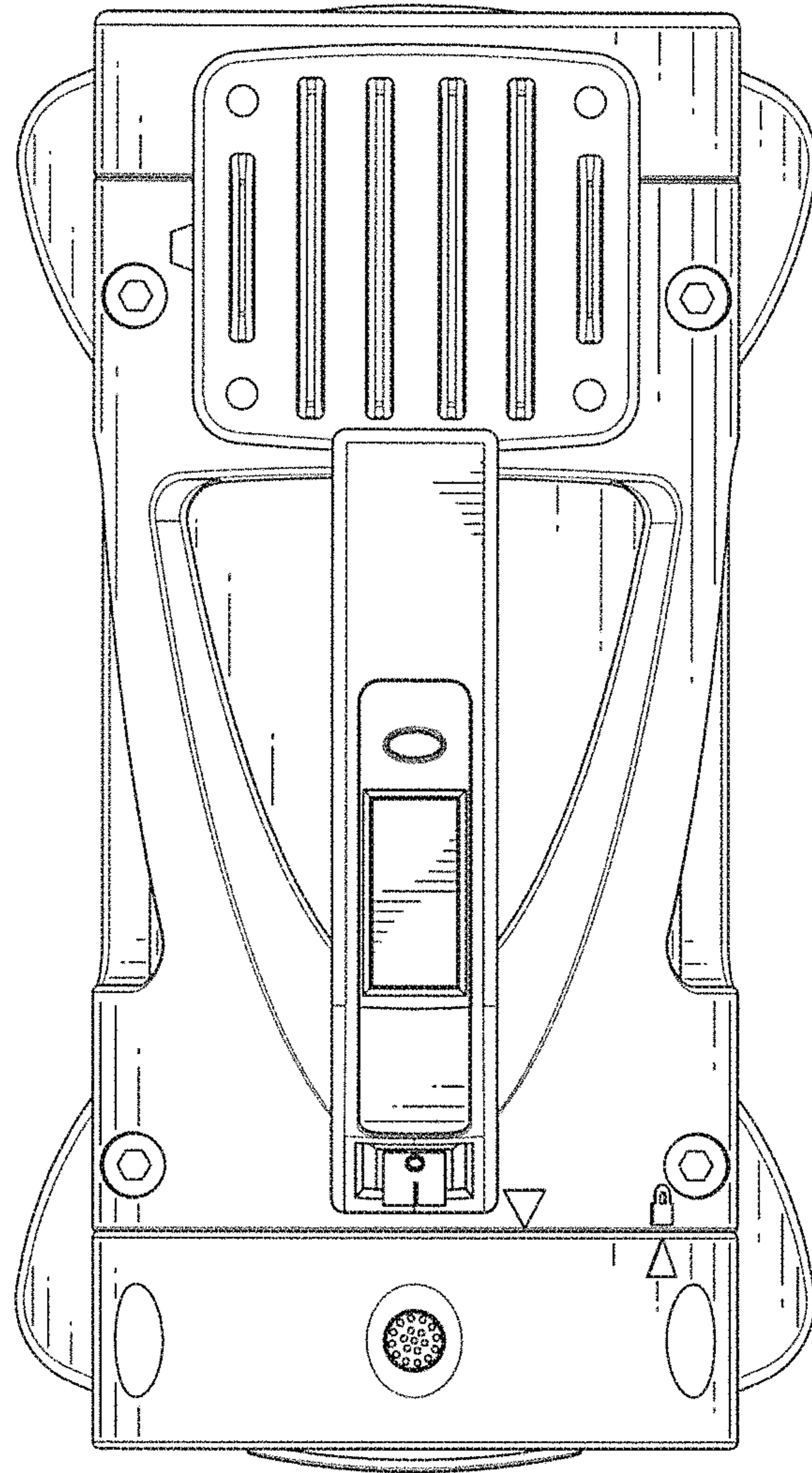


FIG. 6

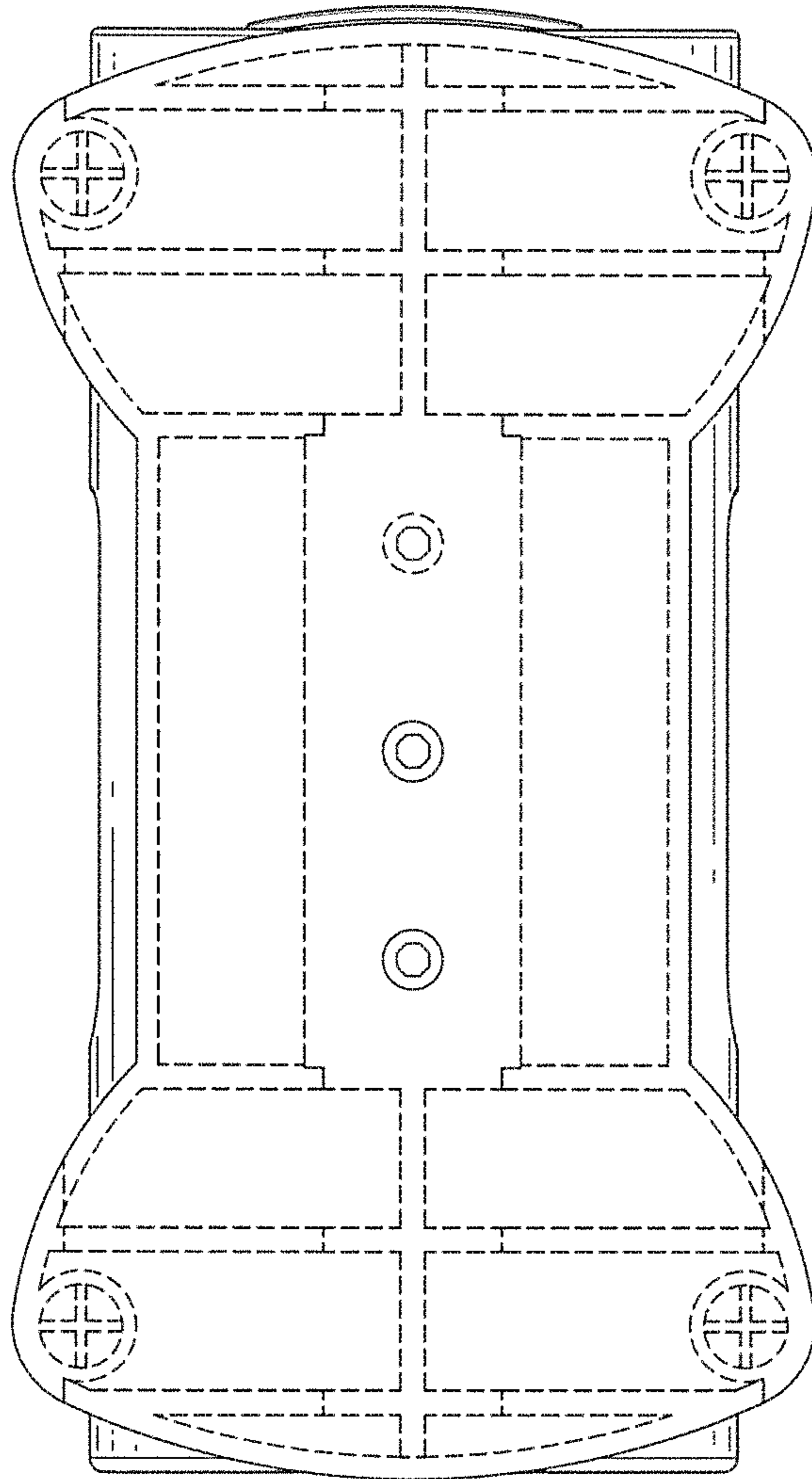


FIG. 7

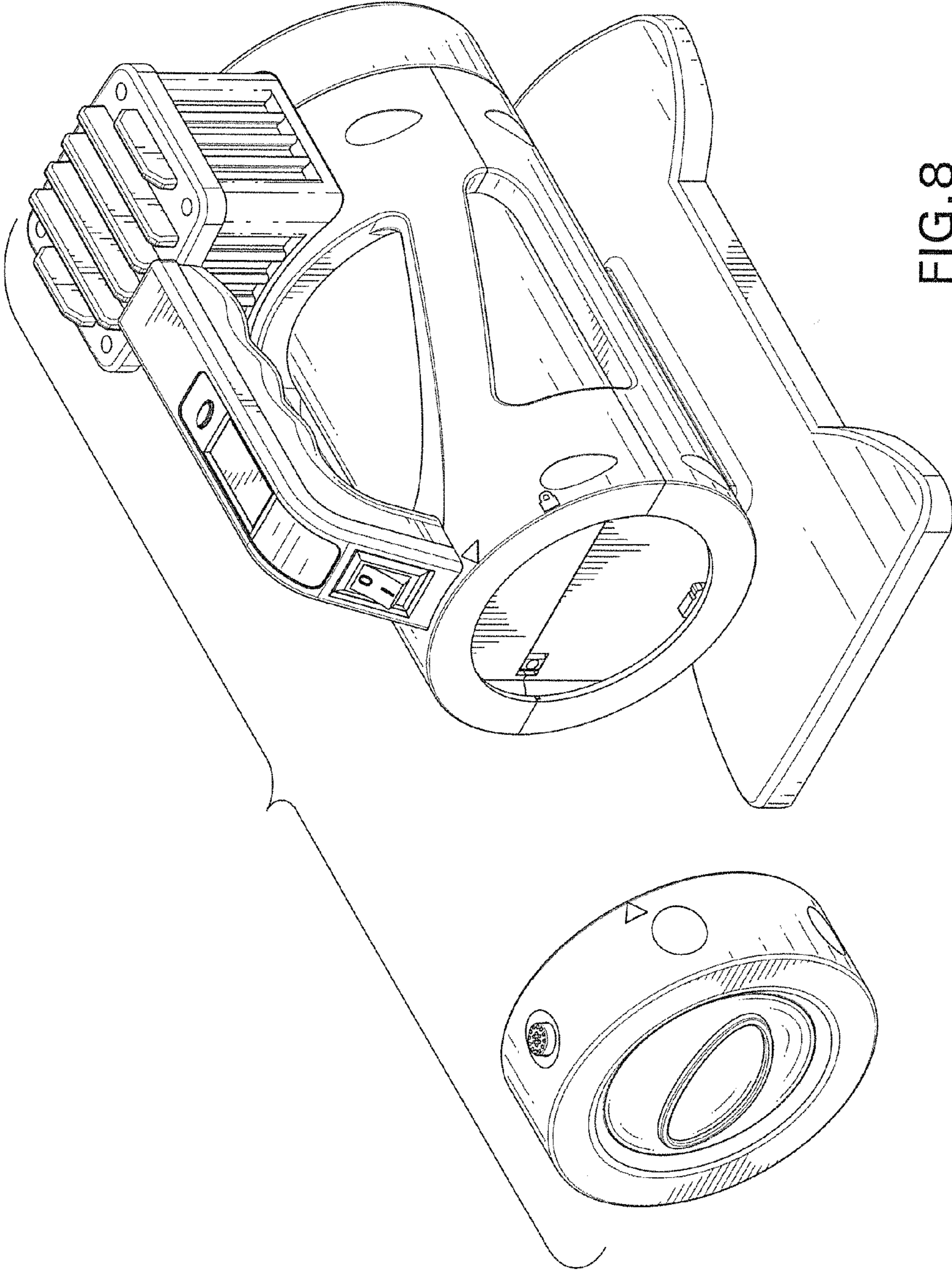


FIG. 8