



US00D774101S

(12) **United States Design Patent**
Delgado

(10) **Patent No.:** **US D774,101 S**

(45) **Date of Patent:** **** Dec. 13, 2016**

(54) **SNORKEL**

(71) Applicant: **Ron Delgado**, Pomona, CA (US)

(72) Inventor: **Ron Delgado**, Pomona, CA (US)

(**) Term: **14 Years**

(21) Appl. No.: **29/523,710**

(22) Filed: **Apr. 13, 2015**

(51) **LOC (10) Cl.** **15-01**

(52) **U.S. Cl.**

USPC **D15/5**

(58) **Field of Classification Search**

USPC D15/1-5; D12/400

CPC F02M 35/10131; F02M 35/10; F02M

35/10006; F02M 35/048; F02M 35/10019;

F02M 35/10091; F02M 23/003; F02M

35/0201; F02M 35/10072; F02M

35/10124; F02M 35/10163; F02M

35/10347; F02M 35/08; F02M 35/0226;

F02M 35/164; F02M 35/10013; B60K

13/02

See application file for complete search history.

(56) **References Cited**

U.S. PATENT DOCUMENTS

D636,408 S *	4/2011	Luxon	D12/400
D636,787 S *	4/2011	Luxon	D12/400
D636,788 S *	4/2011	Luxon	D12/400
D637,623 S *	5/2011	Luxon	D12/400
D638,446 S *	5/2011	Luxon	D12/400
D648,745 S *	11/2011	Luxon	D12/400
D649,162 S *	11/2011	Luxon	D12/400

D680,554 S	4/2013	Harriton	
D687,072 S *	7/2013	Bennett D15/5
D693,370 S *	11/2013	Randhawa D15/5
D719,190 S *	12/2014	Berry D12/400
2009/0151308 A1 *	6/2009	Jung F02M 35/022 55/337
2010/0229817 A1	9/2010	Hirai	
2014/0008136 A1 *	1/2014	Bennett B60K 13/02 180/68.3
2015/0240760 A1 *	8/2015	Lewington F02M 35/10013 95/269

* cited by examiner

Primary Examiner — T. Chase Nelson

Assistant Examiner — Ania Aman

(74) *Attorney, Agent, or Firm* — Steins & Associates, P.C.

(57) **CLAIM**

What is claimed is the ornamental design for a snorkel, as shown.

DESCRIPTION

FIG. 1 is a right side, rear perspective view of the snorkel;

FIG. 2 is a right side, front perspective view thereof;

FIG. 3 is a left side, front perspective view thereof;

FIG. 4 is a left side view thereof;

FIG. 5 is a right side view thereof;

FIG. 6 is a top view thereof;

FIG. 7 is a bottom view thereof;

FIG. 8 is a back view thereof; and,

FIG. 9 is a front view thereof.

The broken lines showing of the snorkel are for the purpose of illustrating the trapezoid-like features and form no part of the claimed design.

1 Claim, 8 Drawing Sheets

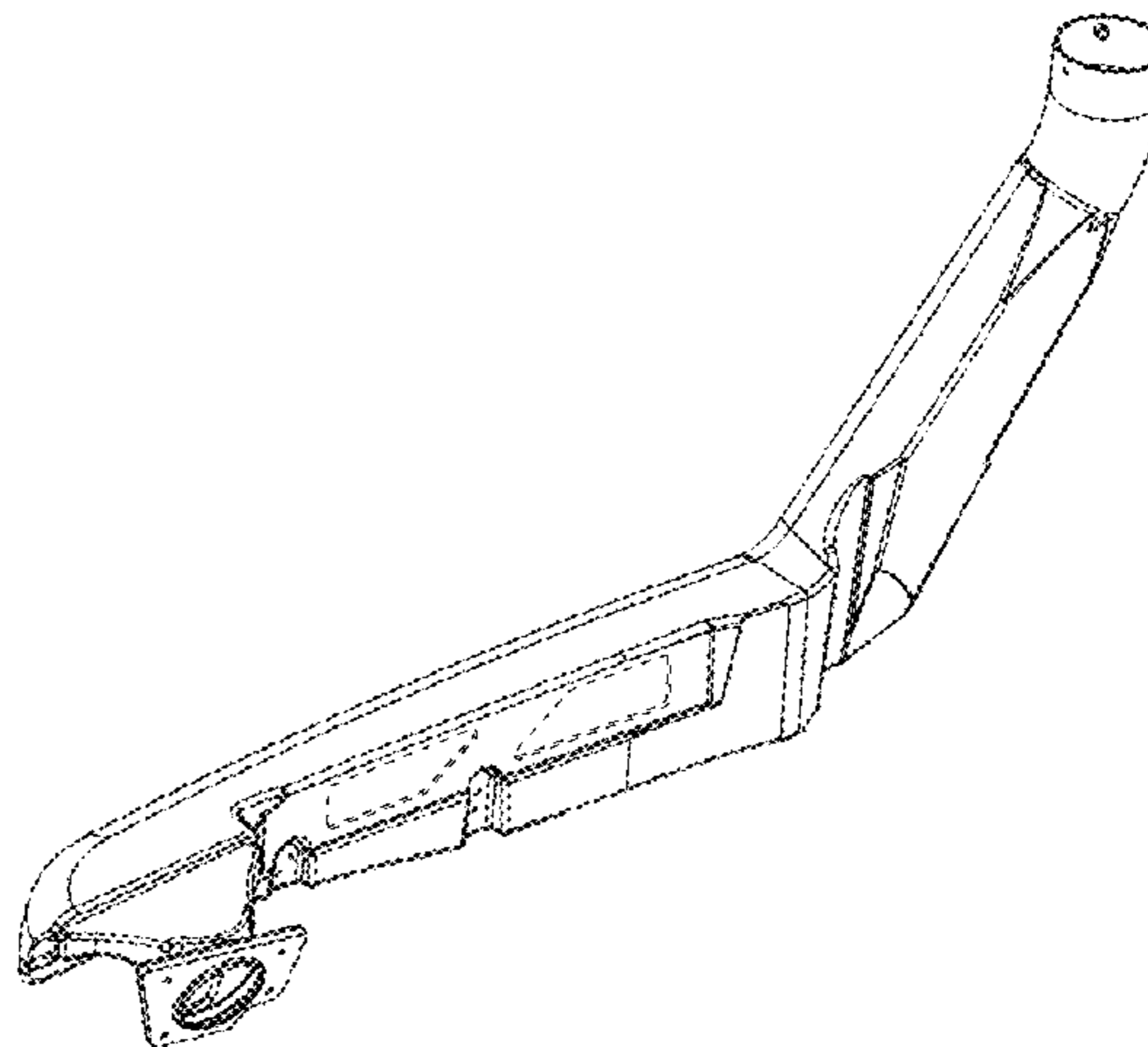
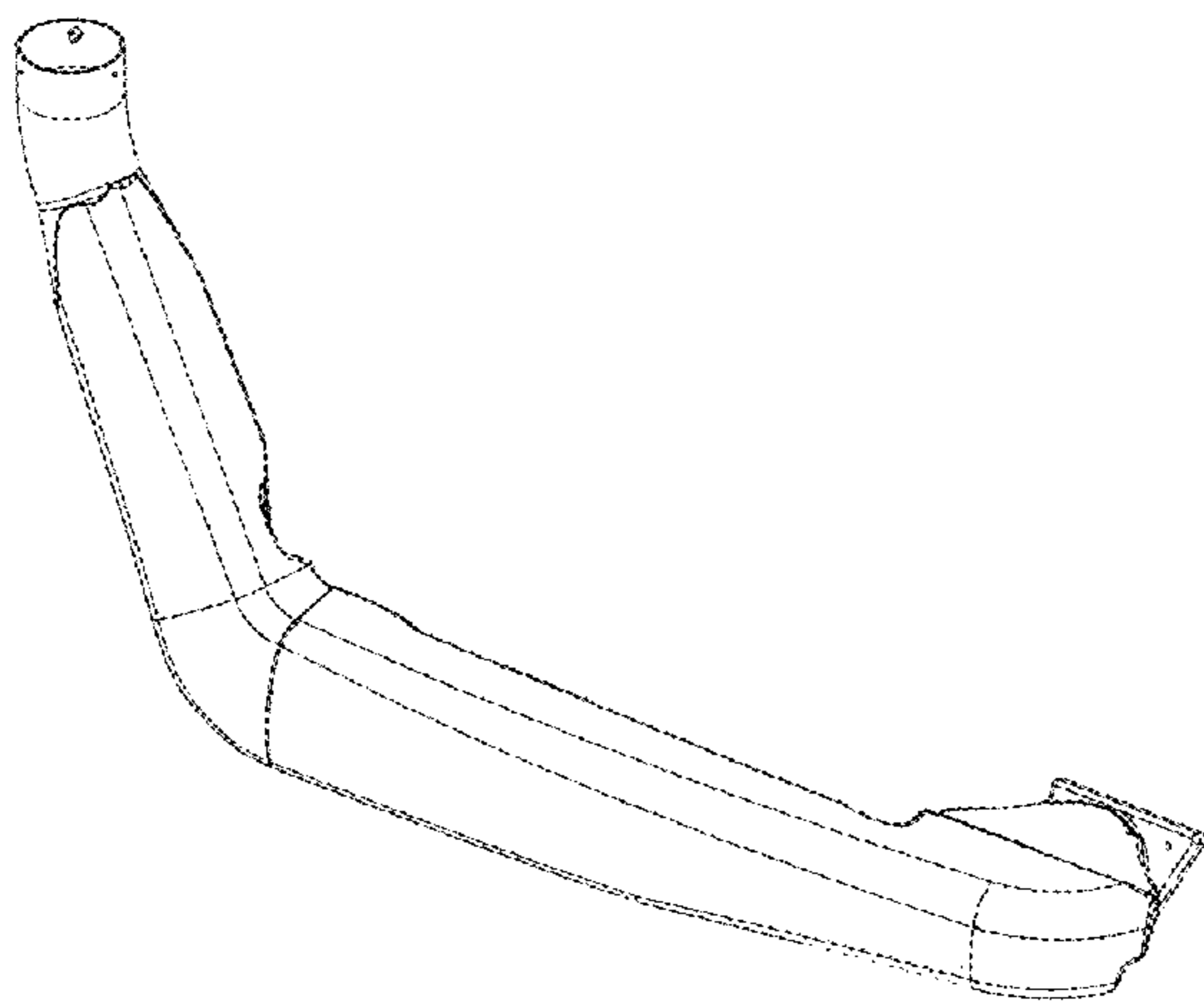
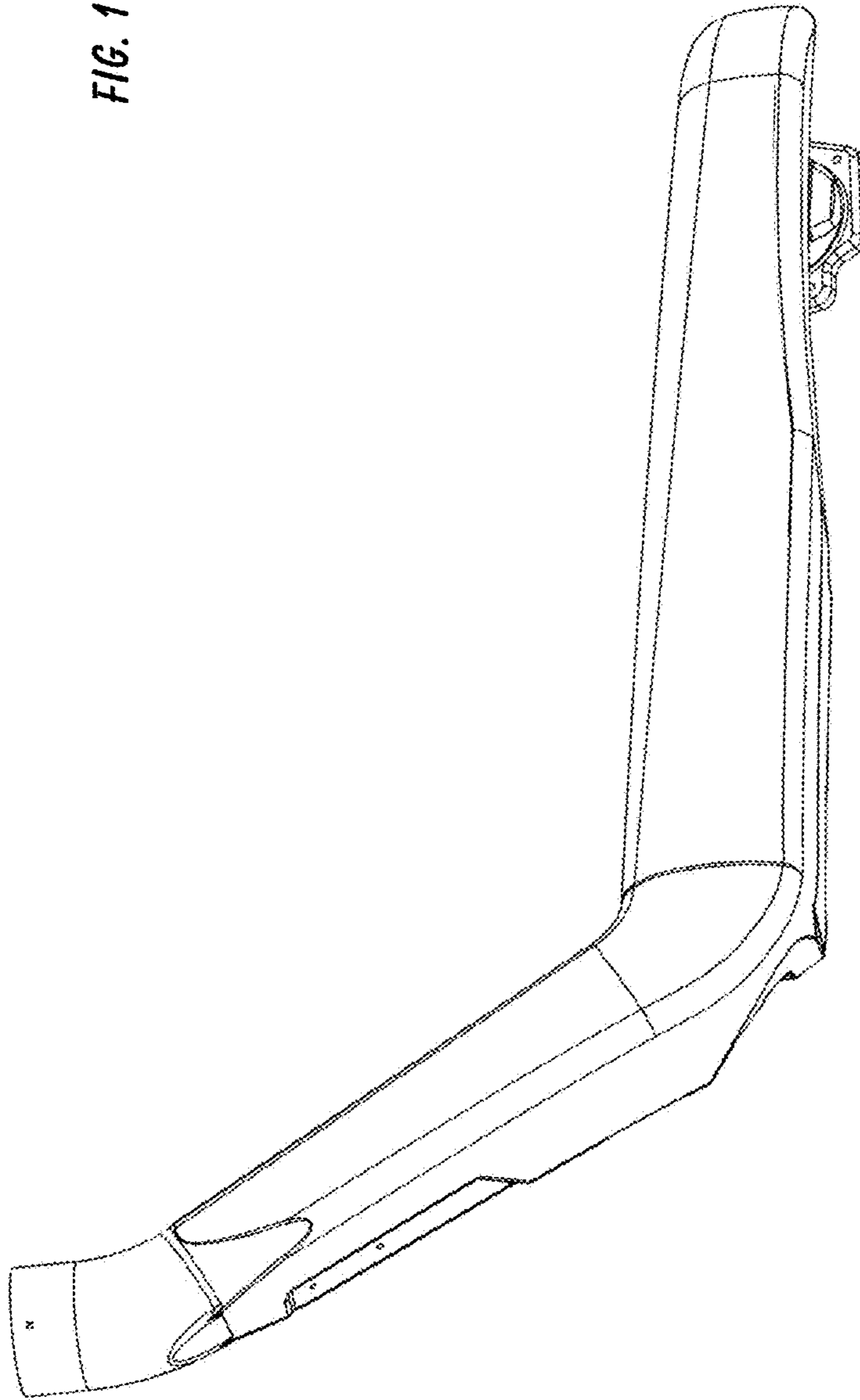


FIG. 1



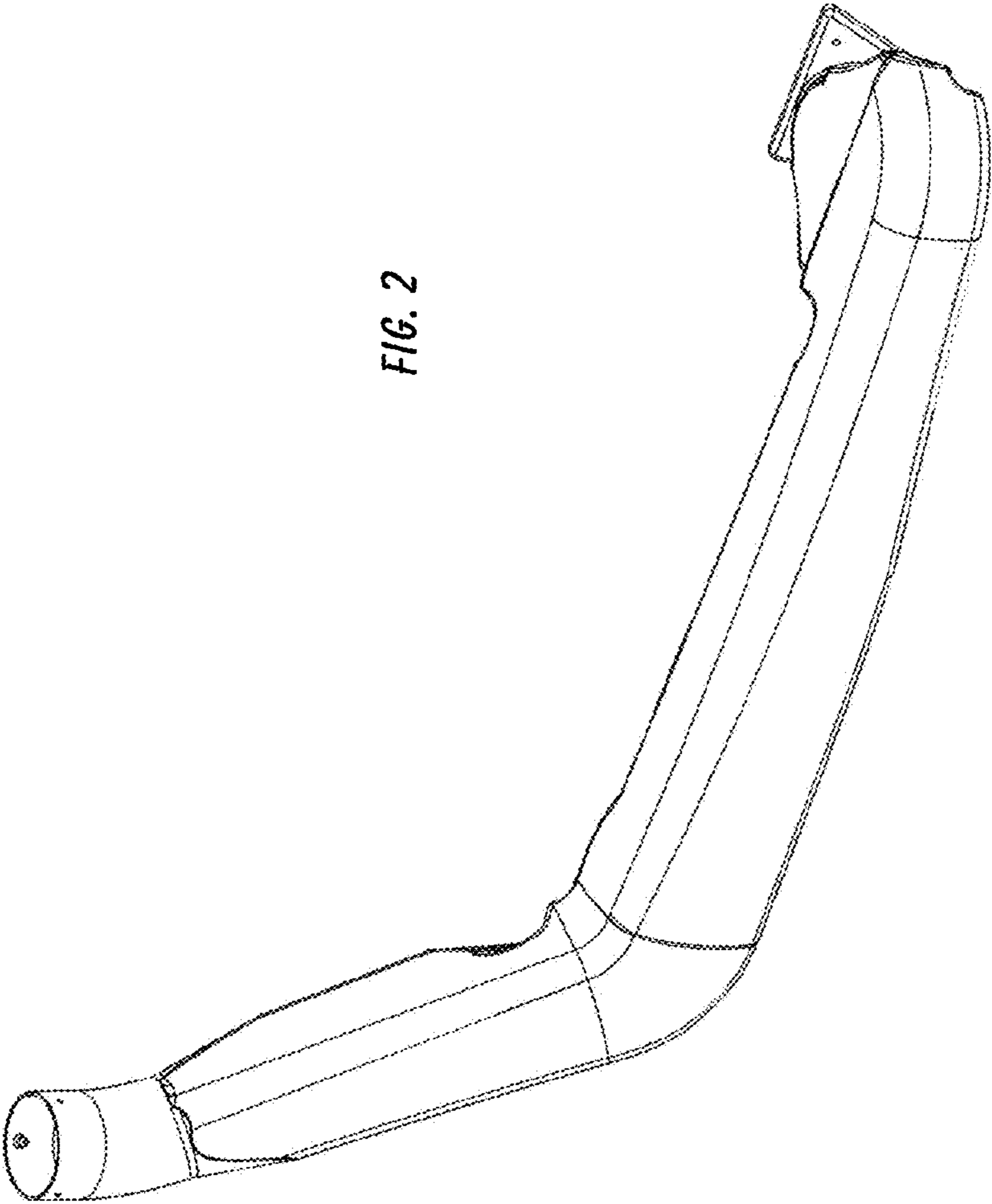


FIG. 2

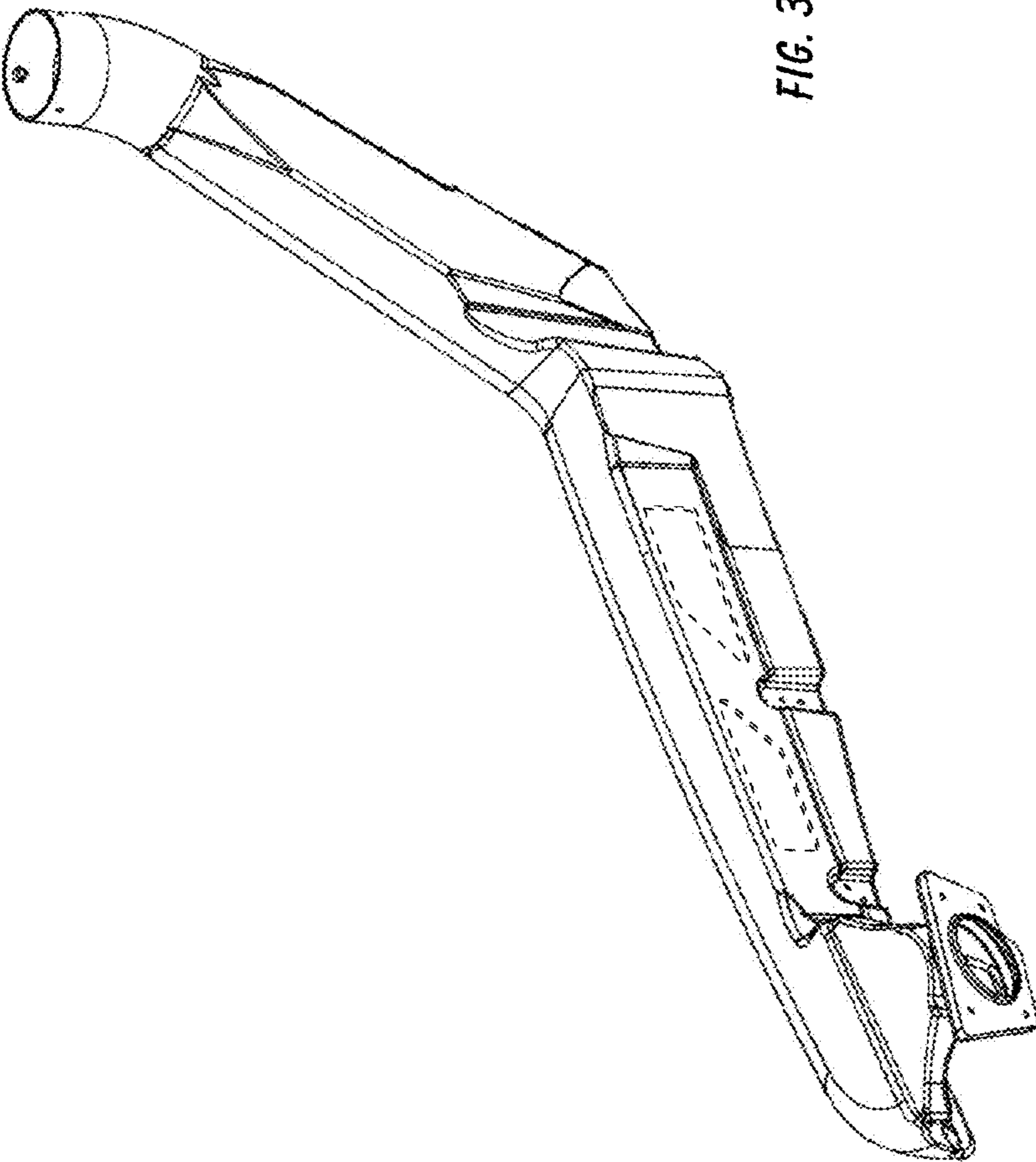


FIG. 3

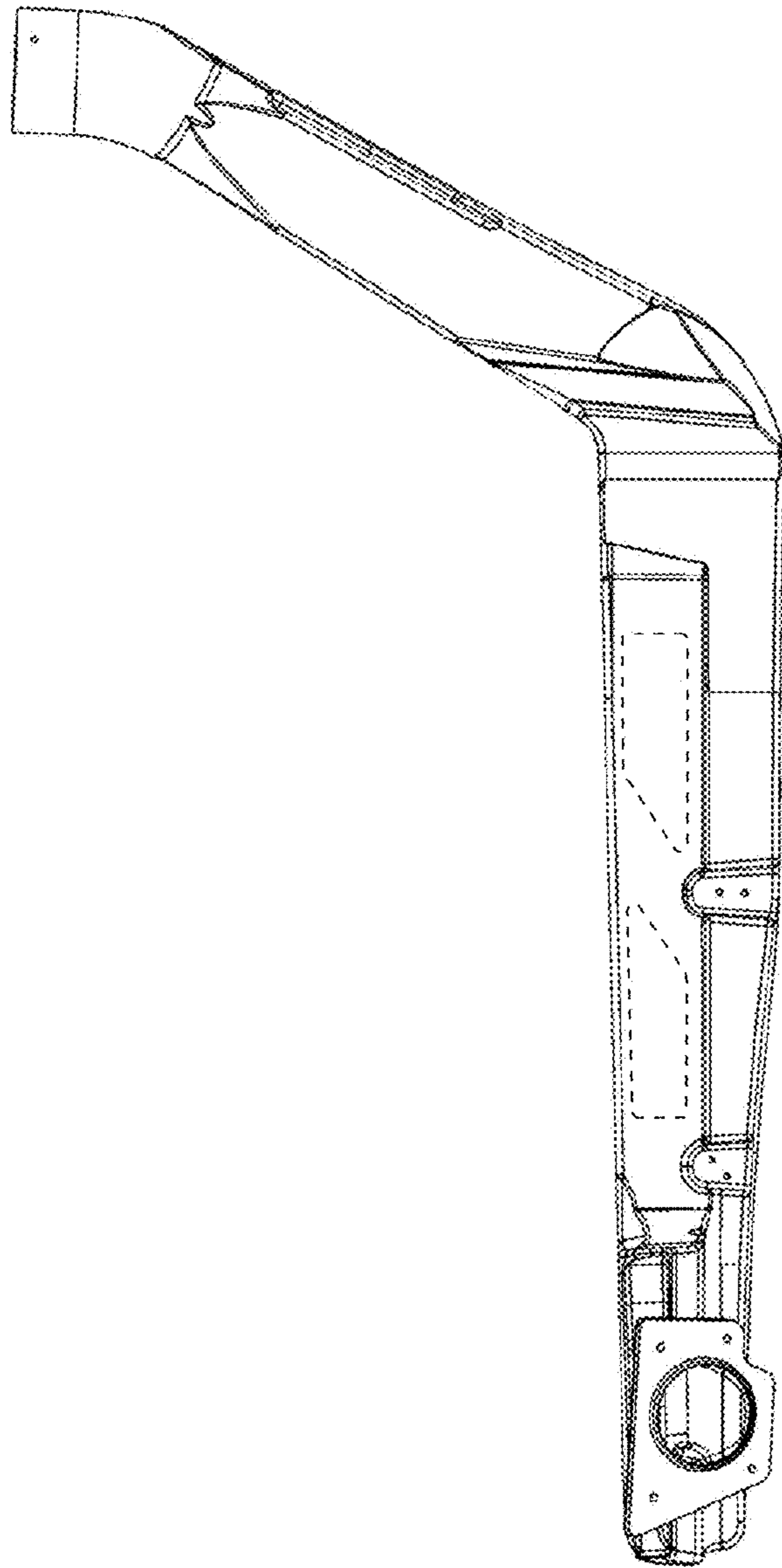


FIG. 4

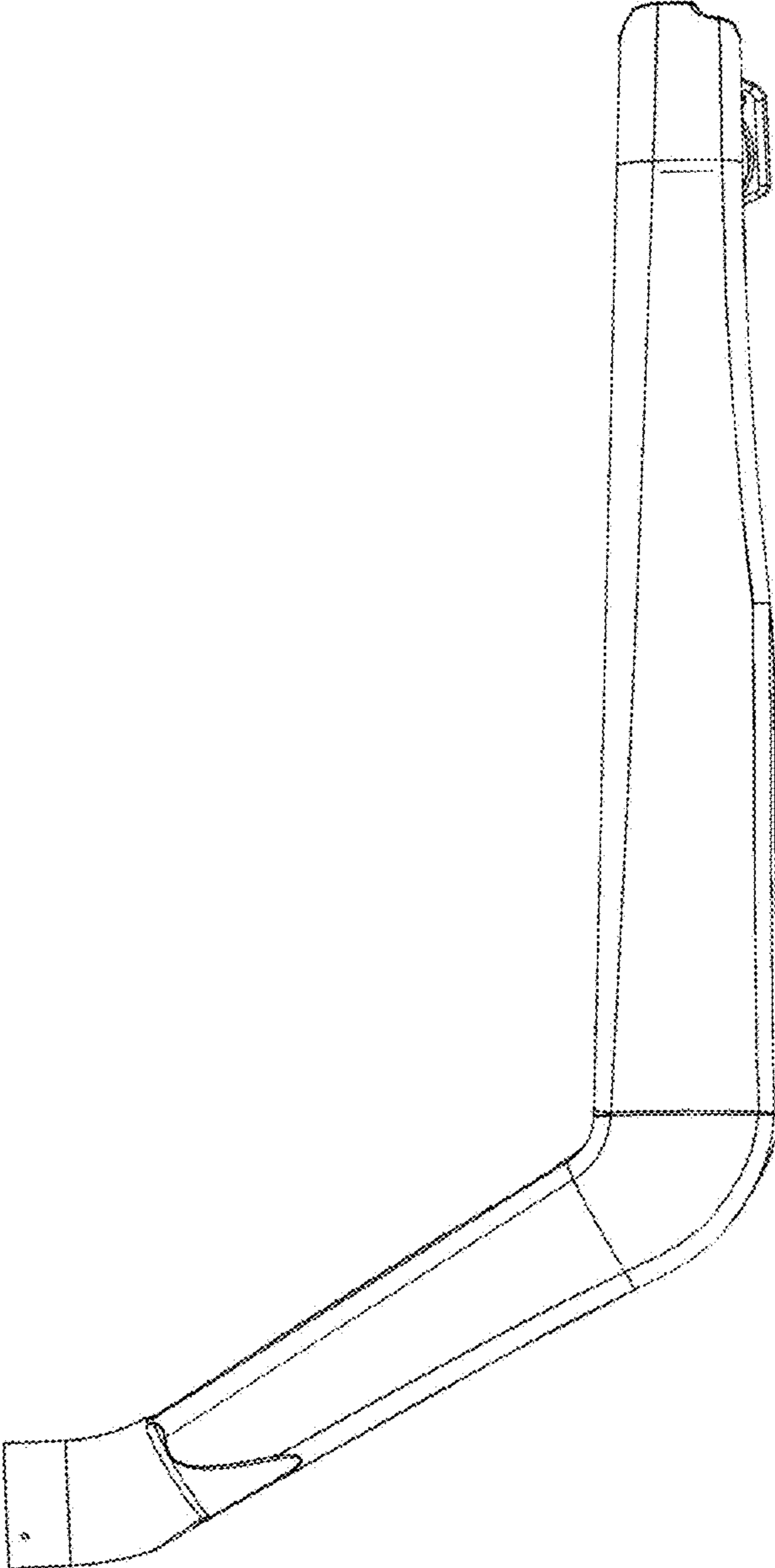


FIG. 5

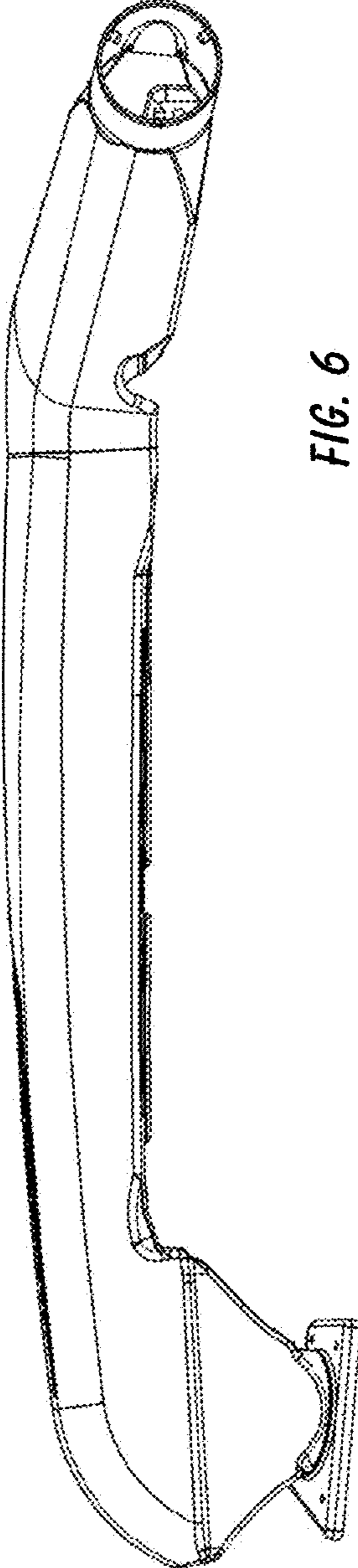


FIG. 6

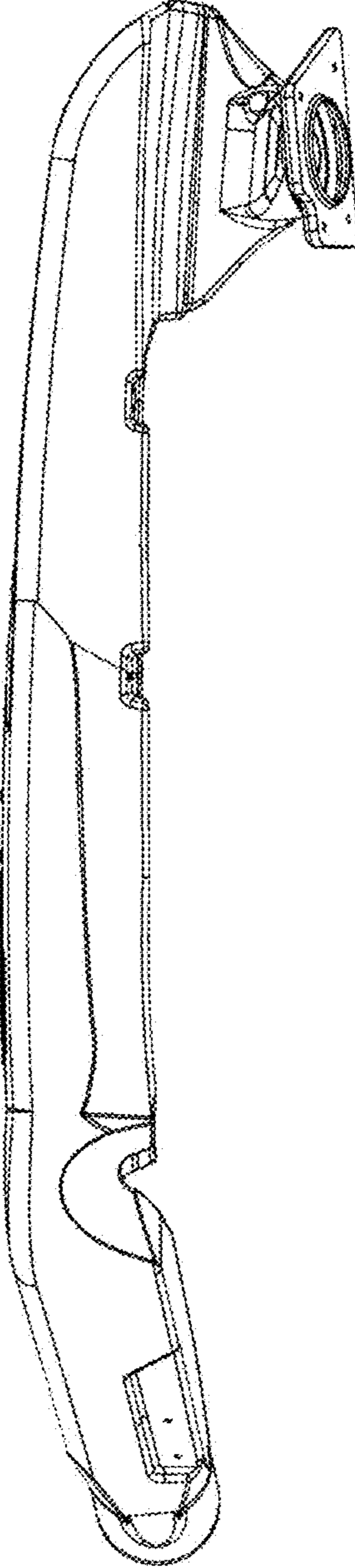


FIG. 7

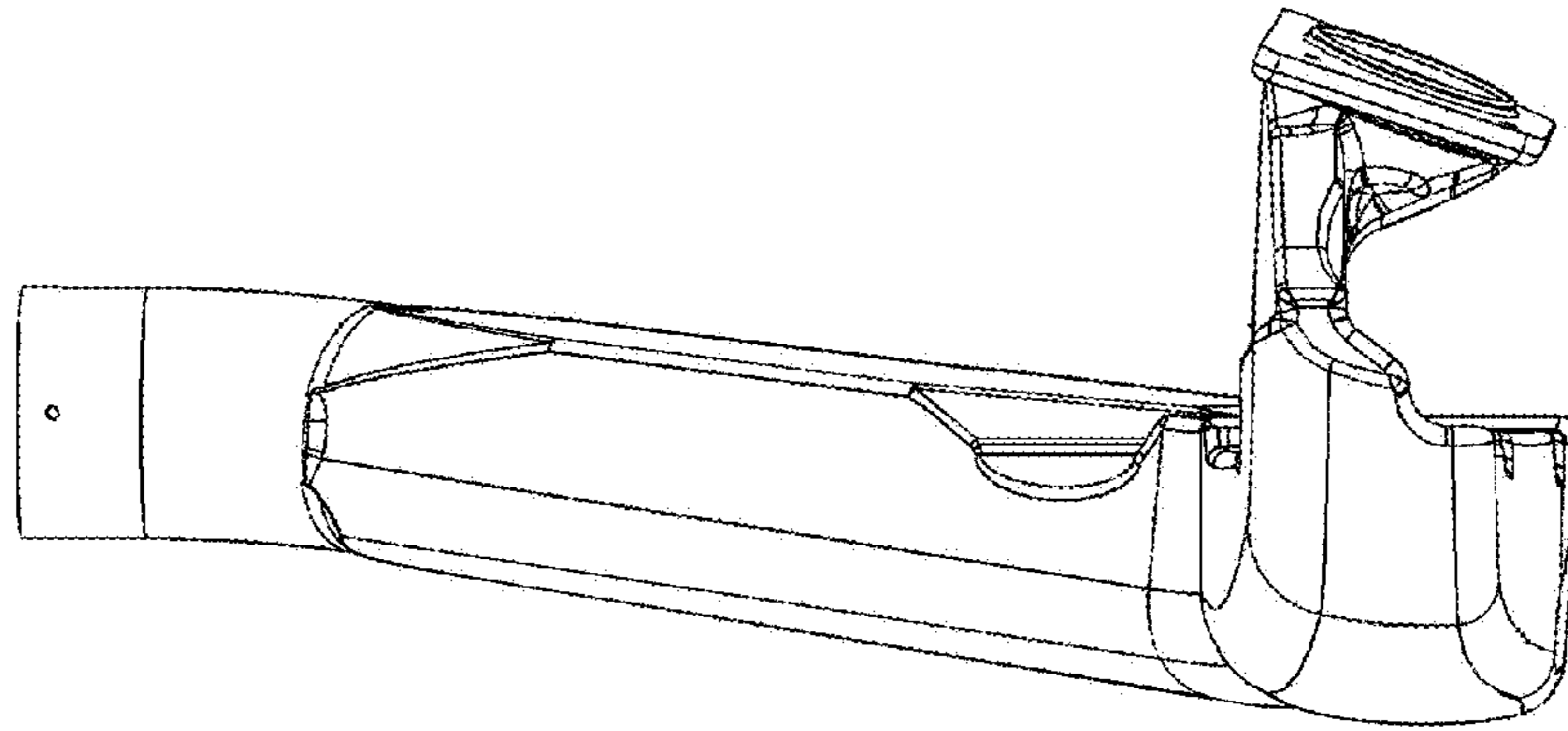


FIG. 9

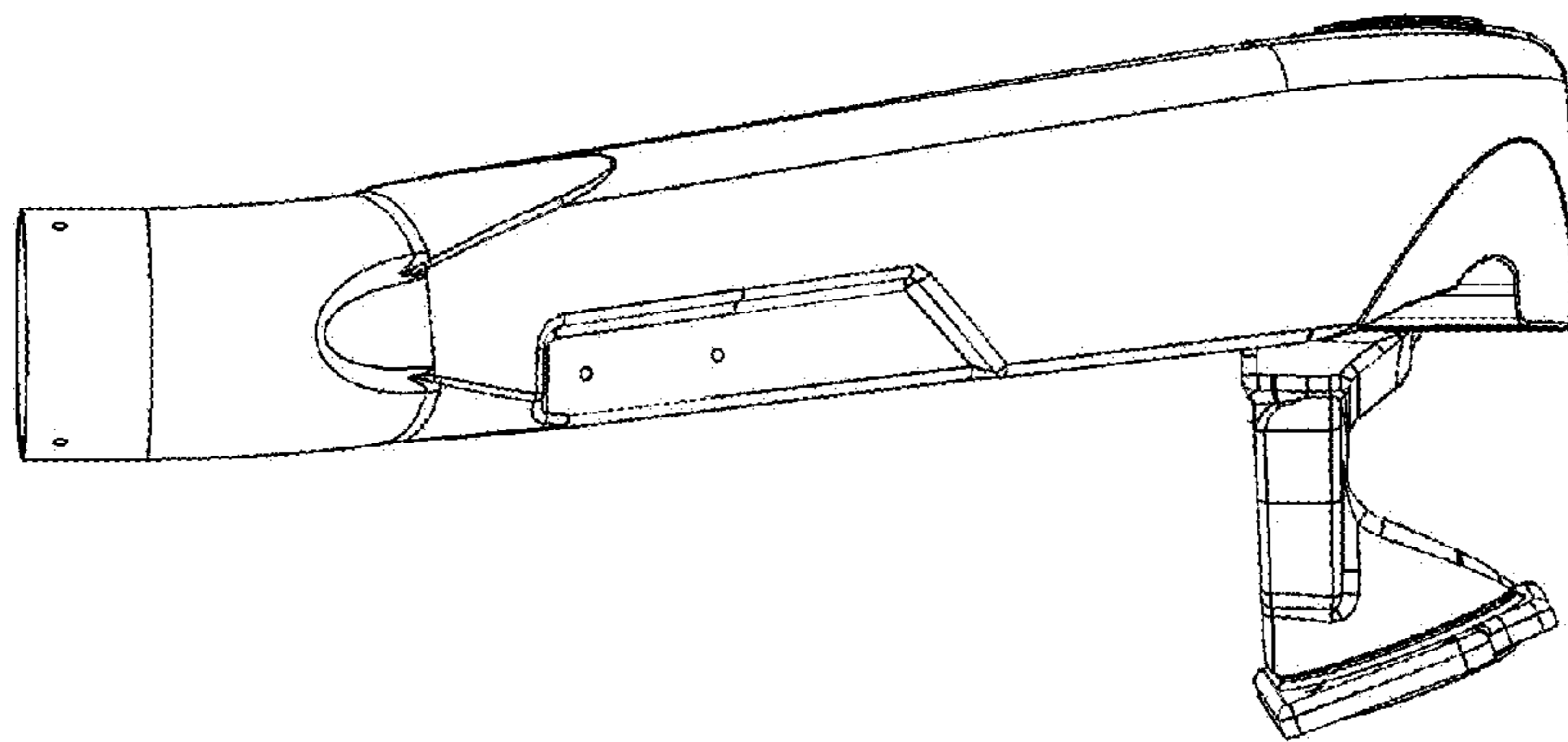


FIG. 8