



US00D774099S

(12) **United States Design Patent** (10) **Patent No.:** **US D774,099 S**
Sarder et al. (45) **Date of Patent:** **** Dec. 13, 2016**

(54) **INTERNAL COMBUSTION ENGINE**

5,564,374 A 10/1996 Hoffman et al.
 5,598,820 A 2/1997 Sokoloski
 D421,024 S 2/2000 Katoh
 6,216,659 B1 4/2001 Takegami et al.
 (Continued)

(71) Applicant: **Champion Engine Technology, LLC**,
Sussex, WI (US)

(72) Inventors: **Mark J. Sarder**, Waukesha, WI (US);
Russell J. Dopke, Elkhart Lake, WI
(US); **Aleko D. Sotiriades**, Cedarburg,
WI (US)

(73) Assignee: **Champion Engine Technology, LLC**,
Sussex, WI (US)

(**) Term: **15 Years**

(21) Appl. No.: **29/536,470**

(22) Filed: **Aug. 17, 2015**

Related U.S. Application Data

(63) Continuation of application No. 29/490,105, filed on
May 6, 2014, now Pat. No. Des. 736,832.

(51) **LOC (10) Cl.** **15-01**

(52) **U.S. Cl.**
USPC **D15/1**

(58) **Field of Classification Search**
USPC D15/1, 2, 3, 5, 6, 14, 17, 149; 123/22,
123/41.34, 51 A, 606 R, 52.1, 50 A, 50 B,
123/54.1, 54.2, 54.4, 54.5, 65 R,
123/195 R, 195 HC, 657, 311
See application file for complete search history.

(56) **References Cited**

U.S. PATENT DOCUMENTS

2,700,377 A	1/1955	Chesnutt
4,159,011 A	6/1979	Sperry
4,601,267 A	7/1986	Kronich
4,762,098 A	8/1988	Tamba et al.
4,905,636 A	3/1990	Kronich
5,058,542 A	10/1991	Grayson et al.
5,404,856 A	4/1995	Servati

OTHER PUBLICATIONS

Honda GXV630, GXV660, GXV690 Engine Assembly Informa-
tion, Honda Motor Co., Ltd., 2010.

Primary Examiner — T. Chase Nelson
Assistant Examiner — Ania Aman

(74) *Attorney, Agent, or Firm* — Ziolkowski Patent
Solutions Group, SC

(57) **CLAIM**

The ornamental design of an internal combustion engine, as
shown and described.

DESCRIPTION

FIG. 1 is a left front perspective view of an internal
combustion engine according to the new design of the
present invention.

FIG. 2 is a front view of the internal combustion engine of
FIG. 1.

FIG. 3 is a top view of the internal combustion engine of
FIG. 1.

FIG. 4 is a bottom view of the internal combustion engine
of FIG. 1.

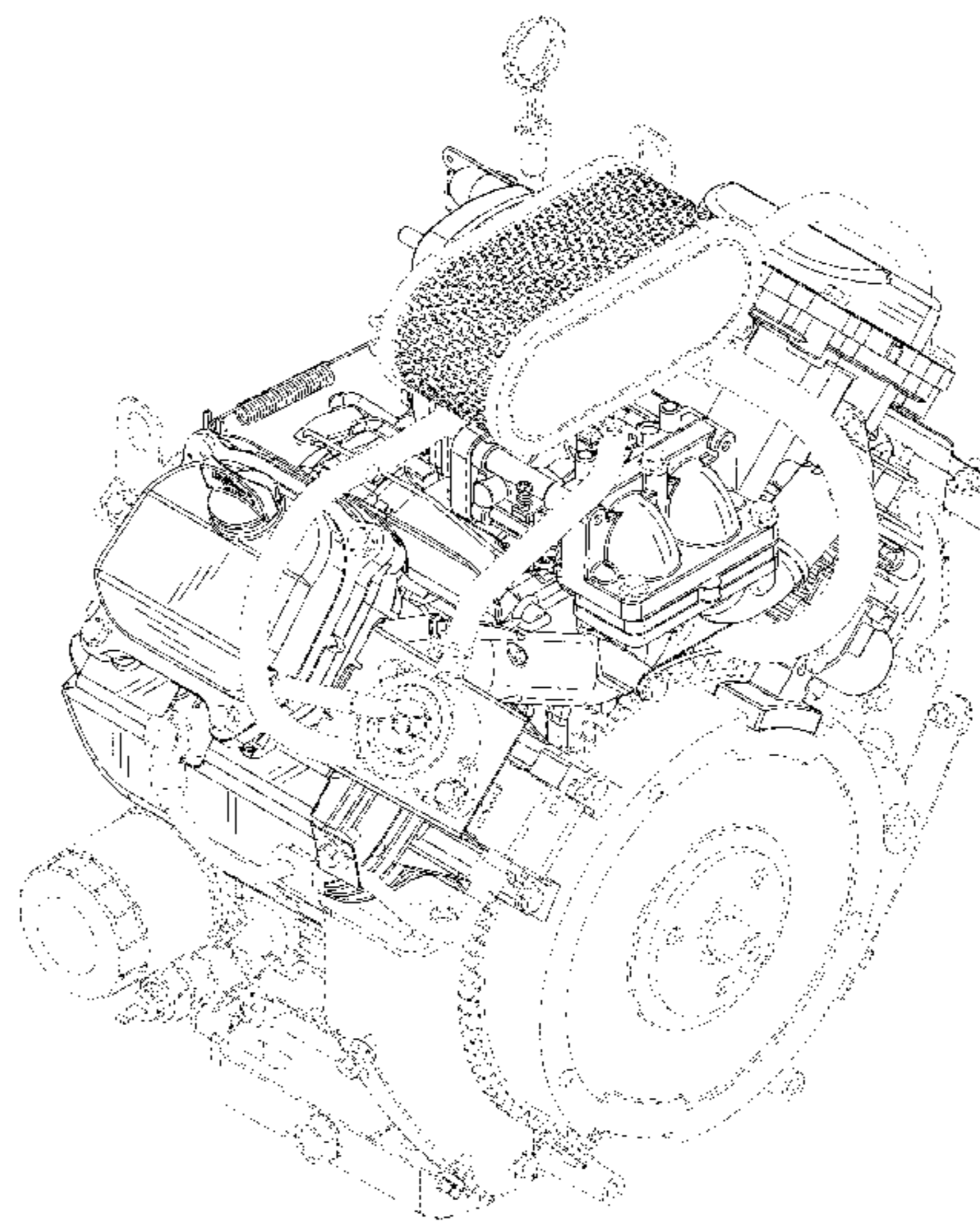
FIG. 5 is a left side view of the internal combustion engine
of FIG. 1.

FIG. 6 is a right side view of the internal combustion engine
of FIG. 1; and,

FIG. 7 is a rear view of the internal combustion engine of
FIG. 1.

The broken lines in the drawing views are included for the
purpose of illustrating portions of the internal combustion
engine that form no part of the claimed design.

1 Claim, 6 Drawing Sheets



(56)

References Cited

U.S. PATENT DOCUMENTS

7,182,057 B2 2/2007 Sato
D572,271 S 7/2008 Maeda
7,938,099 B2 5/2011 Abe et al.
8,402,937 B2 3/2013 Mamy et al.
D704,740 S 5/2014 Bellinger et al.
D710,899 S 8/2014 Kuehner et al.
9,322,371 B2* 4/2016 Sarder F02M 37/0011
2001/0039908 A1 11/2001 Bilek et al.
2003/0168040 A1 9/2003 Takamiya et al.
2004/0231623 A1 11/2004 El Tahry et al.
2009/0095261 A1 4/2009 Kono et al.
2010/0037844 A1* 2/2010 Kinsey F01L 1/182
123/90.39
2013/0133597 A1 5/2013 Shimazaki et al.
2015/0129342 A1* 5/2015 O'Rourke B62J 17/04
180/219
2015/0315940 A1* 11/2015 Sarder F01M 5/002
123/41.33
2015/0322883 A1* 11/2015 Dopke F02M 35/10262
123/193.5
2015/0345451 A1* 12/2015 Garrison F02M 61/14
123/294

* cited by examiner

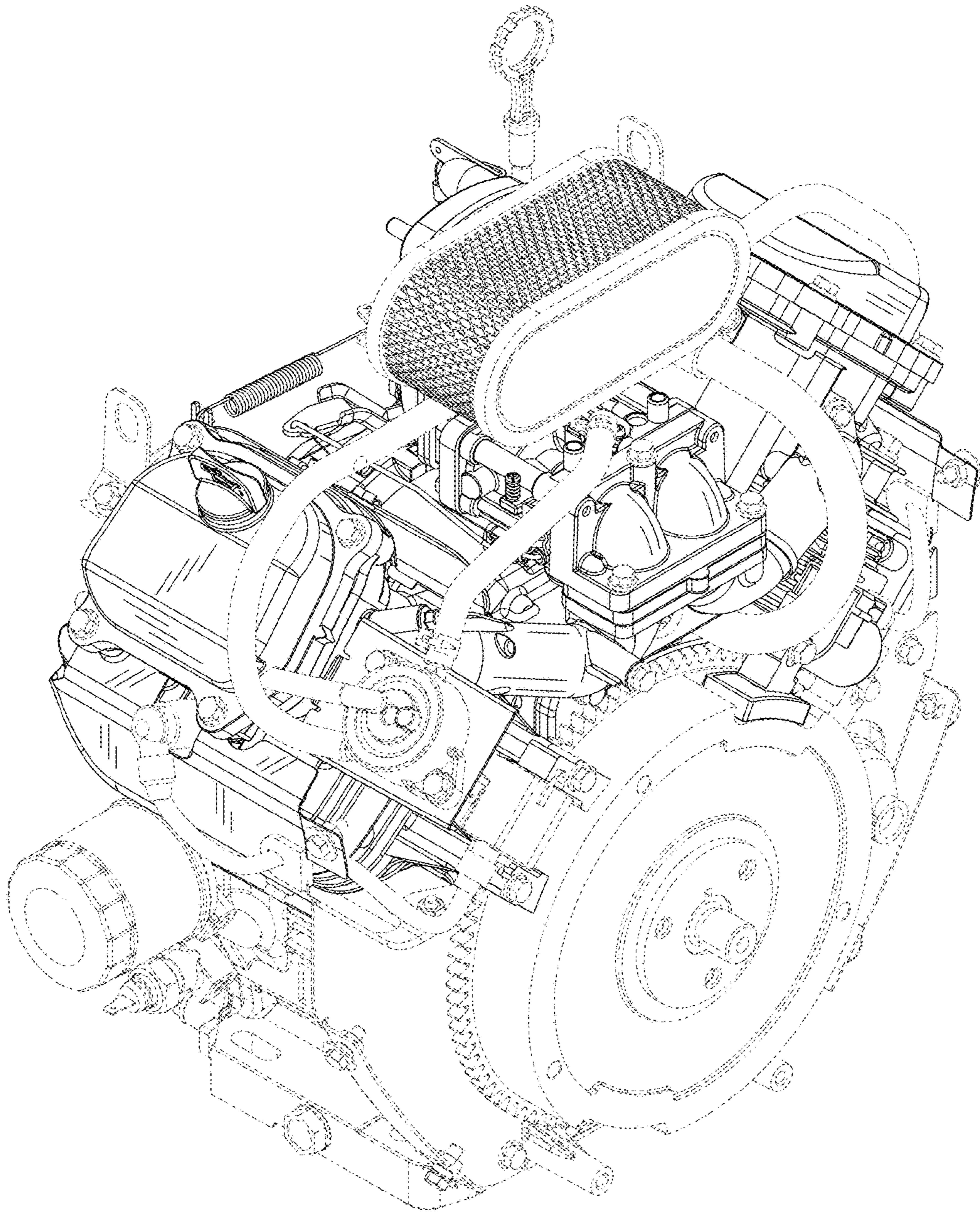


FIG. 1

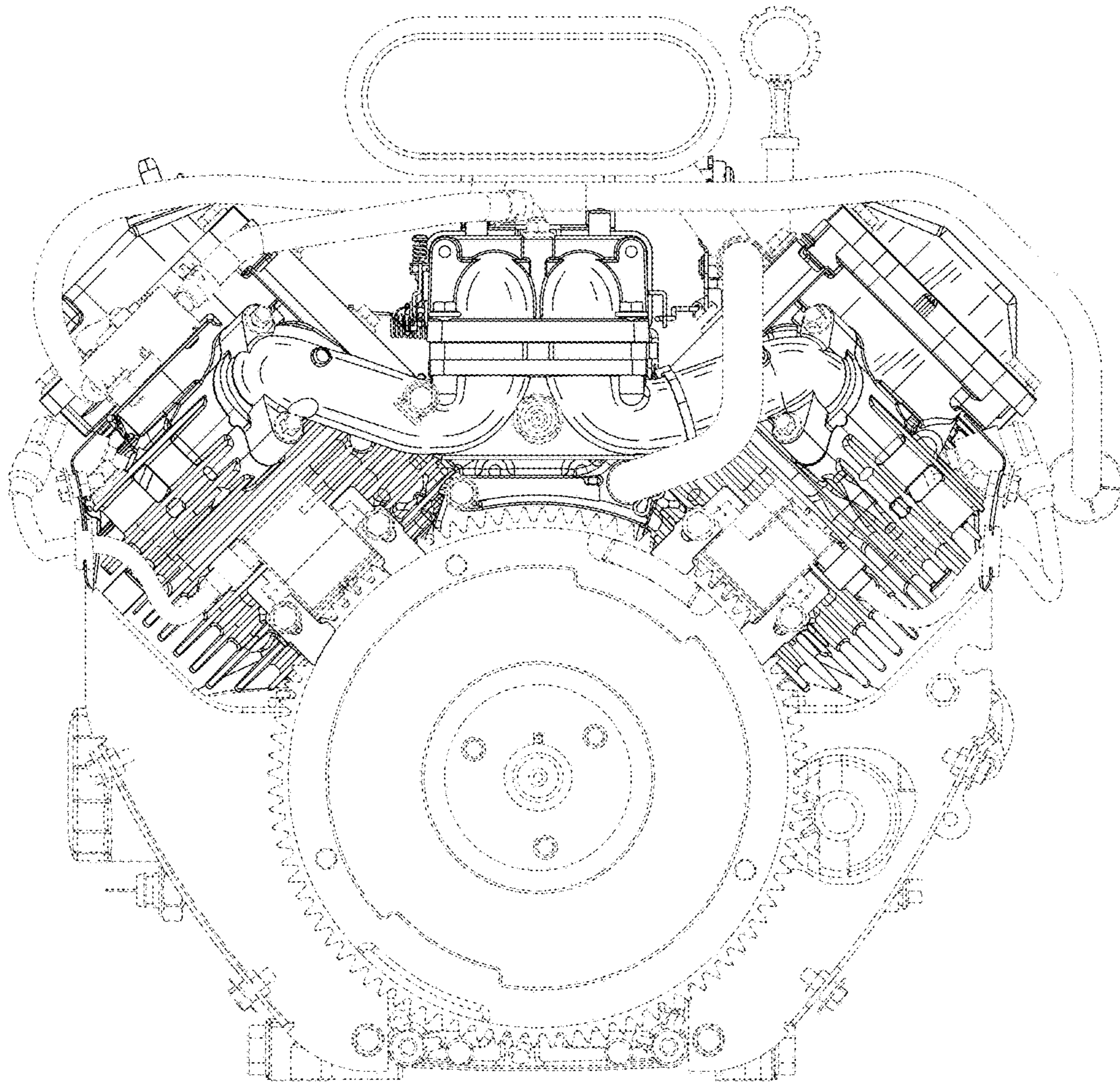


FIG. 2

FIG. 3

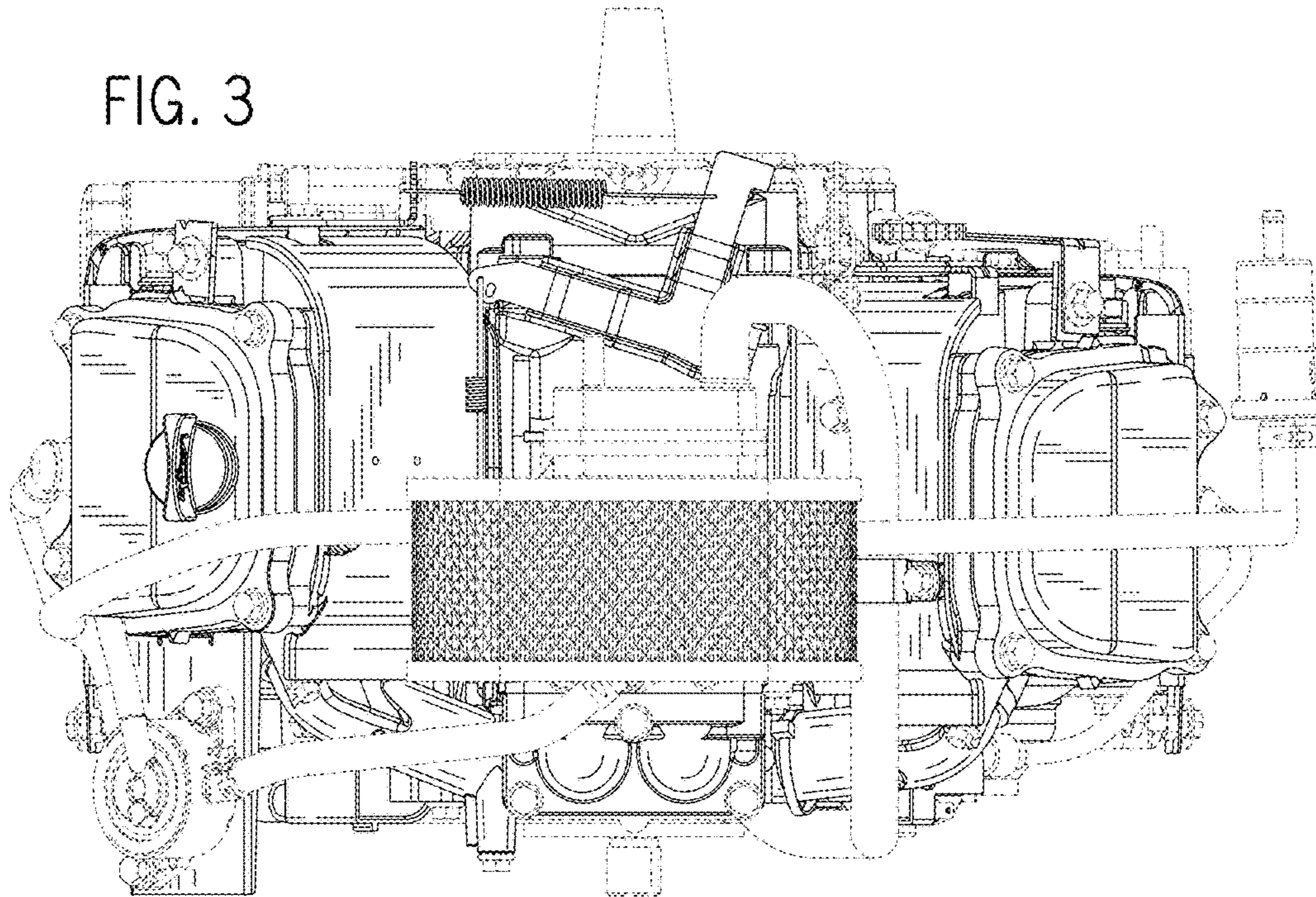
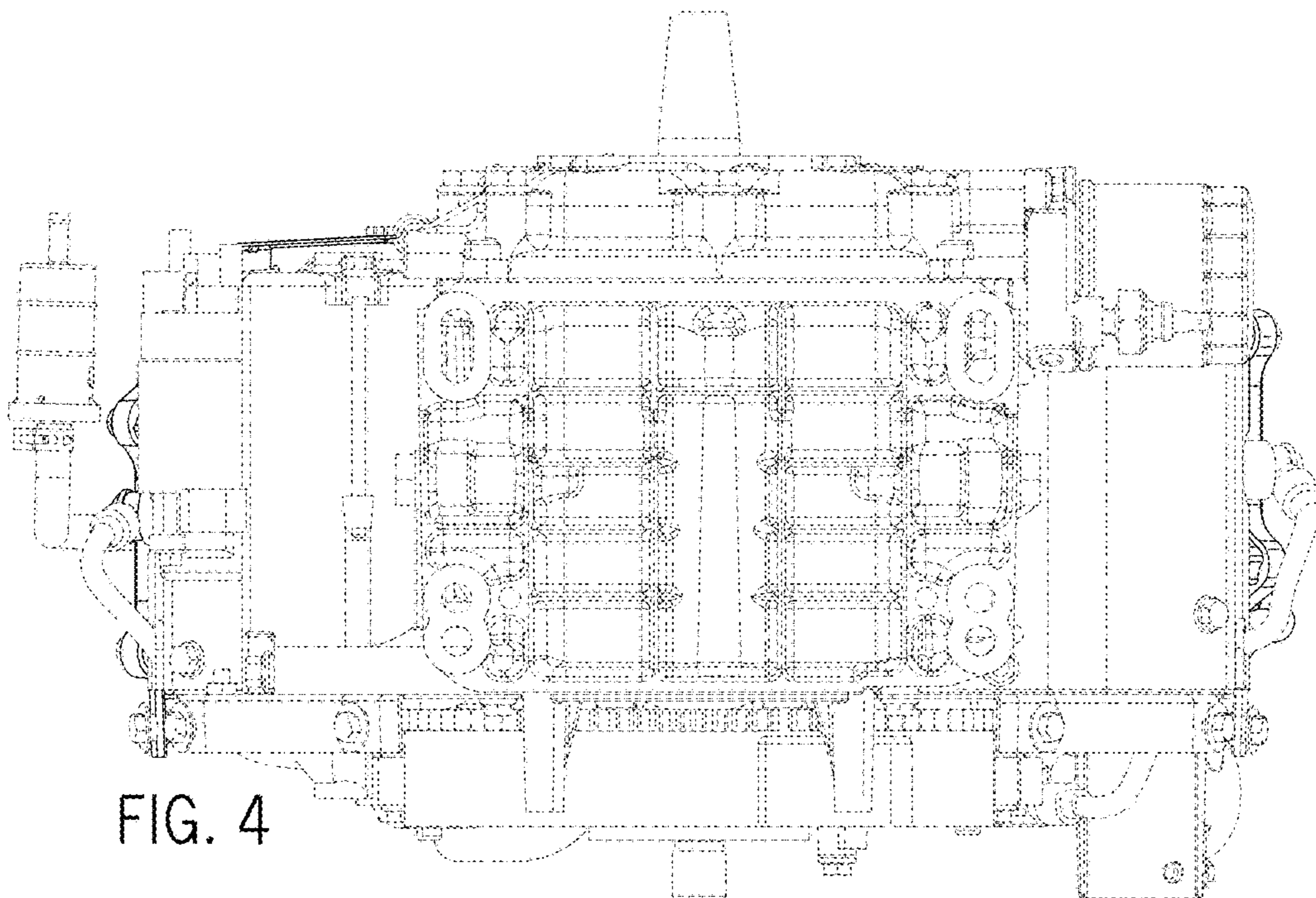


FIG. 4



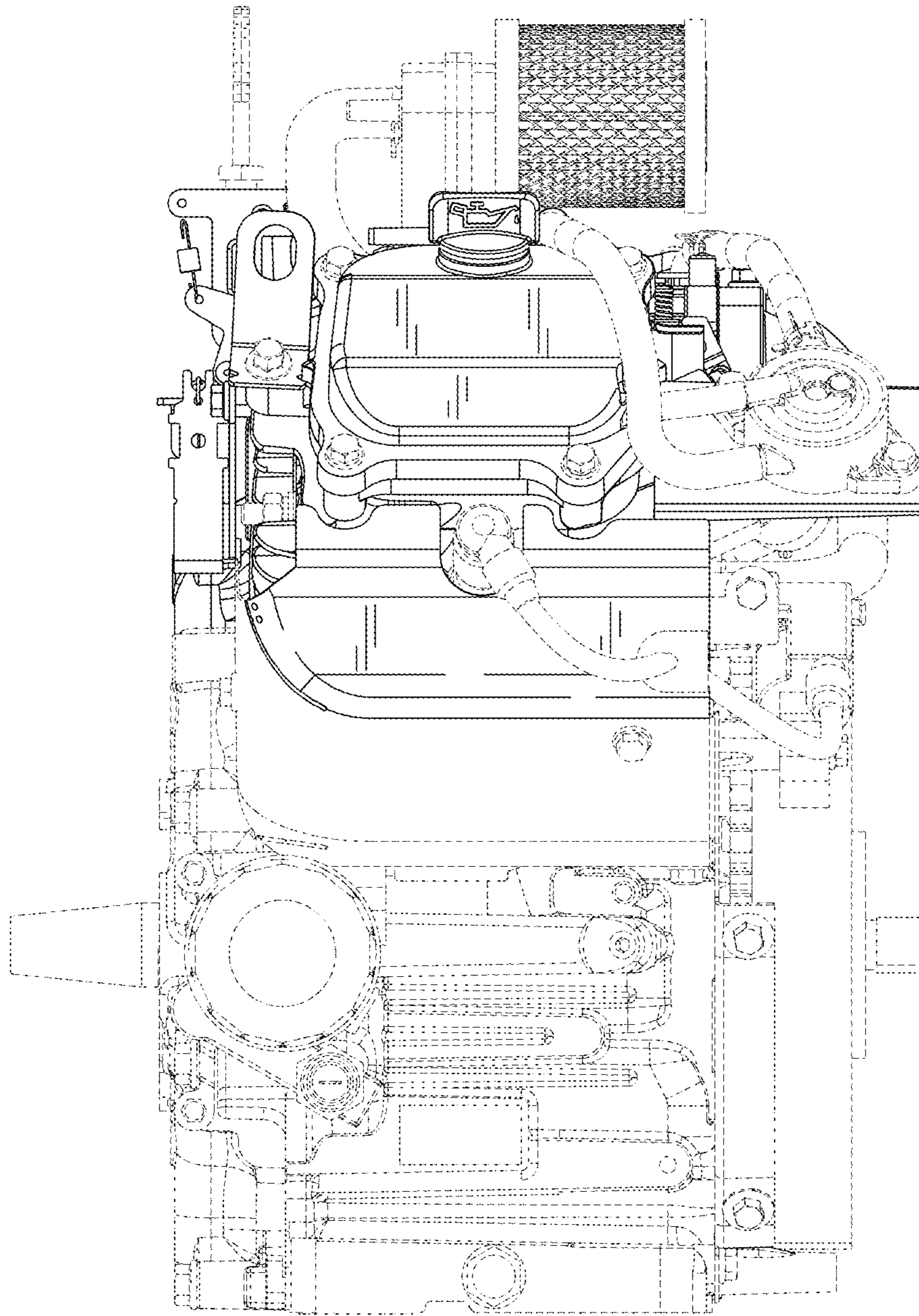


FIG. 5

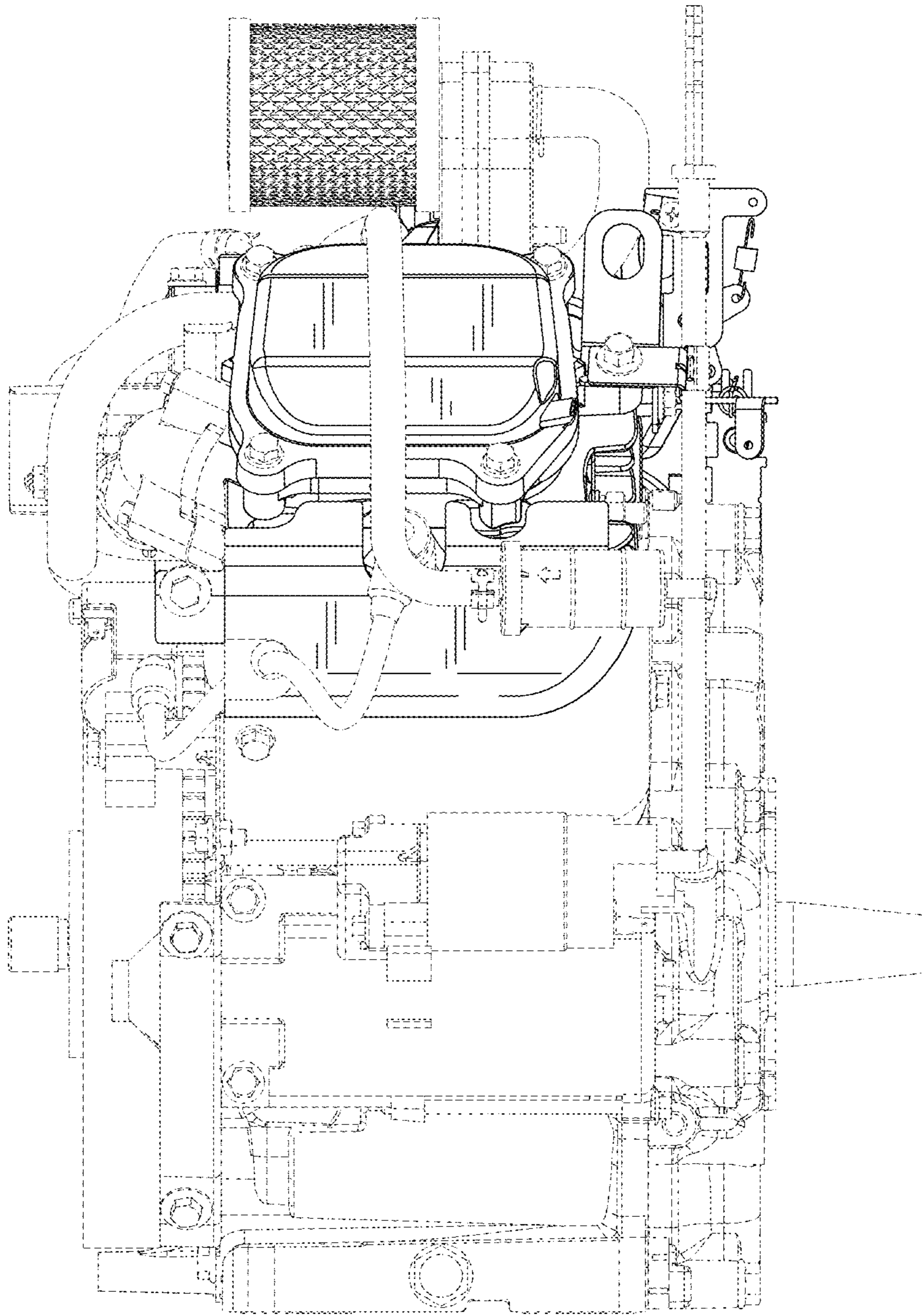


FIG. 6

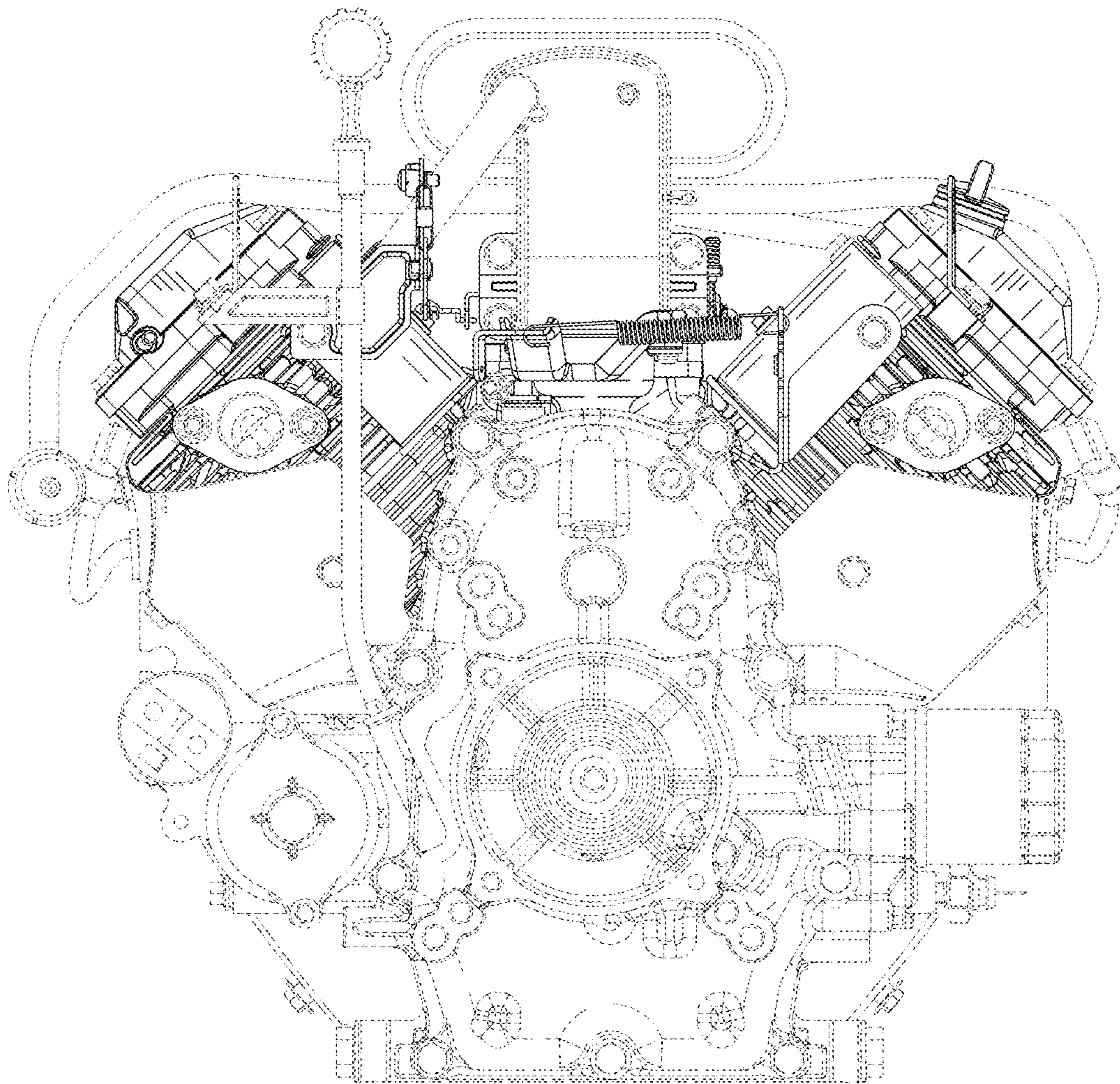


FIG. 7

UNITED STATES PATENT AND TRADEMARK OFFICE
CERTIFICATE OF CORRECTION

PATENT NO. : D774,099 S
APPLICATION NO. : 29/536470
DATED : December 13, 2016
INVENTOR(S) : Sarder et al.

Page 1 of 1

It is certified that error appears in the above-identified patent and that said Letters Patent is hereby corrected as shown below:

On the Title Page

(73) Assignee: delete "Sussez, WI (US)" and
substitute therefore -- Sussex, WI (US) --.

Signed and Sealed this
Twenty-eighth Day of February, 2017



Michelle K. Lee
Director of the United States Patent and Trademark Office