



US00D774093S

(12) **United States Design Patent** (10) **Patent No.:** **US D774,093 S**  
**Dye et al.** (45) **Date of Patent:** **\*\* Dec. 13, 2016**

(54) **DISPLAY SCREEN OR PORTION THEREOF WITH ICON**

(71) Applicant: **Apple Inc.**, Cupertino, CA (US)

(72) Inventors: **Alan C. Dye**, San Francisco, CA (US); **Jonathan P. Ive**, San Francisco, CA (US); **Joe Marianek**, San Francisco, CA (US); **Christopher Wilson**, San Francisco, CA (US)

(73) Assignee: **Apple Inc.**, Cupertino, CA (US)

(\*\*) Term: **15 Years**

(21) Appl. No.: **29/540,350**

(22) Filed: **Sep. 23, 2015**

**Related U.S. Application Data**

(63) Continuation of application No. 29/523,717, filed on Apr. 13, 2015, now Pat. No. Des. 740,322, which is a continuation of application No. 29/457,311, filed on Jun. 9, 2013, now Pat. No. Des. 726,765.

(51) **LOC (10) Cl.** ..... **14-04**

(52) **U.S. Cl.**  
USPC ..... **D14/492**

(58) **Field of Classification Search**  
USPC ..... D14/485-495  
CPC ..... G06F 3/0481; G06F 3/04817  
See application file for complete search history.

(56) **References Cited**

**U.S. PATENT DOCUMENTS**

|              |         |               |
|--------------|---------|---------------|
| 5,490,245 A  | 2/1996  | Wugofski      |
| 6,556,222 B1 | 4/2003  | Narayanaswami |
| 6,784,925 B1 | 8/2004  | Tomat et al.  |
| D553,638 S   | 10/2007 | Kim et al.    |
| D568,898 S   | 5/2008  | Byeon         |
| D569,386 S   | 5/2008  | Byeon         |

|              |        |                      |
|--------------|--------|----------------------|
| 7,418,671 B2 | 8/2008 | Hama et al.          |
| D576,176 S   | 9/2008 | Jong et al.          |
| D588,151 S   | 3/2009 | Okada                |
| D594,465 S * | 6/2009 | Hong ..... D14/486   |
| D609,244 S * | 2/2010 | Seo ..... D14/488    |
| D612,390 S   | 3/2010 | Kim et al.           |
| 7,774,718 B2 | 8/2010 | Finke-Anlauff et al. |
| D623,195 S   | 9/2010 | La et al.            |

(Continued)

**FOREIGN PATENT DOCUMENTS**

KR 30-0403504 10/2006

**OTHER PUBLICATIONS**

Iconspro, Vector—camera icon on round internet button, posted at Can Stock Photo, posting date Apr. 14, 2010. [online], [site visited May 19, 2016]. Available from Internet, <URL: <http://www.canstockphoto.com/camera-icon-on-round-internet-button-3516160.html>>.\*

(Continued)

*Primary Examiner* — Kevin Rudzinski

*Assistant Examiner* — Kathleen Jones

(74) *Attorney, Agent, or Firm* — Sterne, Kessler, Goldstein & Fox P.L.L.C.

(57) **CLAIM**

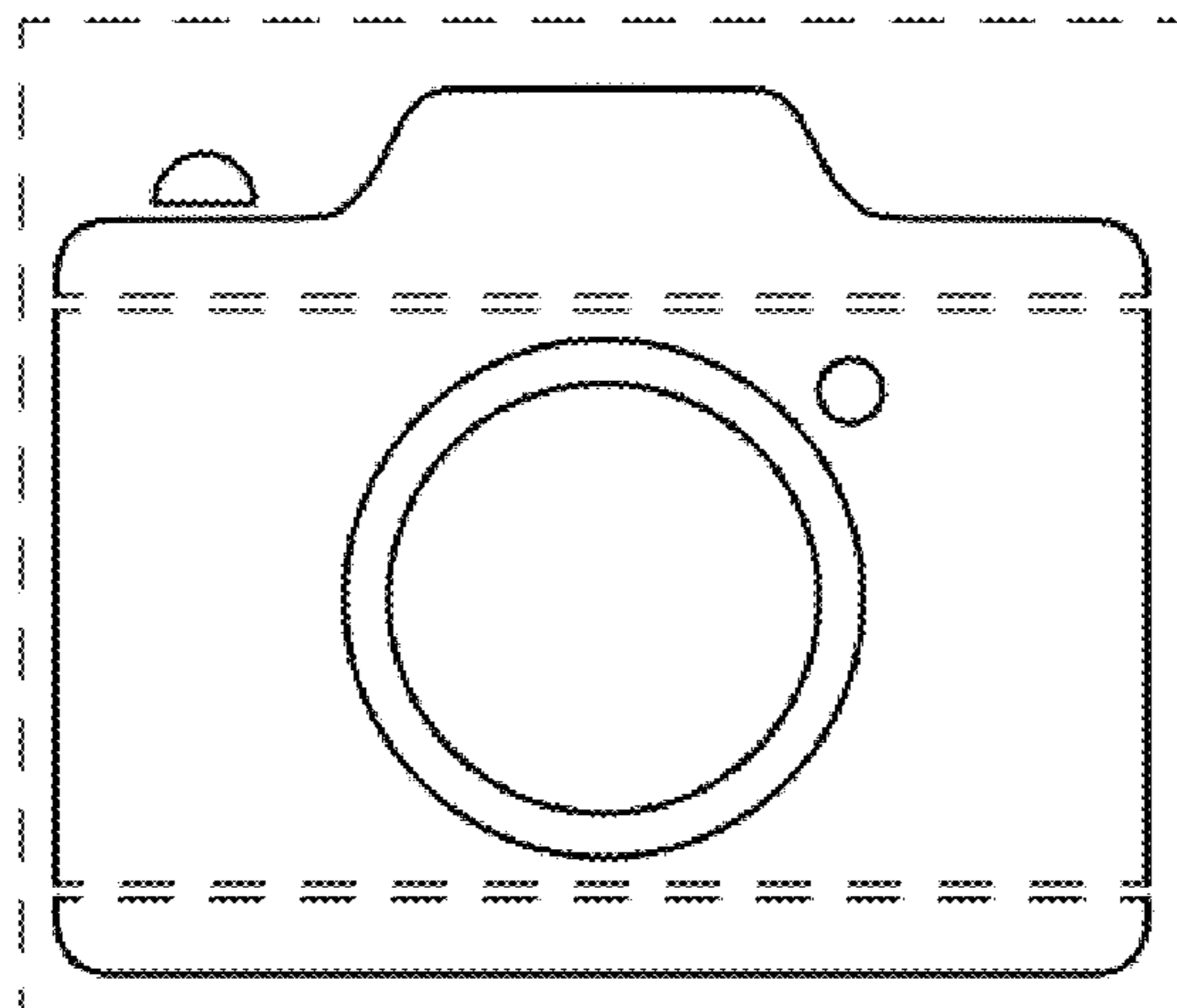
The ornamental design for a display screen or portion thereof with icon, as shown and described.

**DESCRIPTION**

The FIGURE is a front view of a display screen or portion thereof with icon showing the claimed design.

The outermost broken lines in the FIGURE show a boundary of a display screen or portion thereof, and form no part of the claimed design. The other broken lines in the FIGURE show portions of the icon that form no part of the claimed design.

**1 Claim, 1 Drawing Sheet**



(56)

References Cited

U.S. PATENT DOCUMENTS

D638,442 S 5/2011 Christie et al.  
 D650,796 S 12/2011 Rincover et al.  
 D667,452 S \* 9/2012 Wujcik ..... D14/491  
 D667,453 S 9/2012 Wujcik et al.  
 D667,457 S \* 9/2012 Wujcik ..... D14/492  
 D676,868 S 2/2013 Wagner  
 D676,870 S \* 2/2013 Steele ..... D14/492  
 D677,275 S 3/2013 Wujcik et al.  
 D677,278 S 3/2013 Wujcik et al.  
 D688,703 S 8/2013 Phelan  
 D703,227 S 4/2014 Abratowski  
 D704,212 S 5/2014 Dellinger  
 D704,216 S \* 5/2014 Dellinger ..... D14/489  
 D712,427 S \* 9/2014 Fujioka ..... D14/486  
 D716,837 S \* 11/2014 Bickel ..... D14/487  
 D726,763 S \* 4/2015 Moon ..... D14/492  
 D726,765 S 4/2015 Dye et al.  
 D727,966 S \* 4/2015 Kim ..... D14/492  
 D736,817 S \* 8/2015 Trabona ..... D14/487  
 D740,322 S 10/2015 Dye et al.  
 D746,864 S \* 1/2016 Dellinger ..... D14/492  
 D749,632 S \* 2/2016 Park ..... D14/489  
 D750,105 S \* 2/2016 Leighton ..... D14/485  
 D757,087 S \* 5/2016 Hiramatsu ..... D14/488  
 9,344,841 B2 \* 5/2016 Yu ..... H04W 4/02  
 D763,861 S \* 8/2016 Kaasalainen ..... D14/485  
 2005/0188331 A1 8/2005 Shimada et al.  
 2005/0223338 A1 10/2005 Partanen  
 2006/0190827 A1 8/2006 Zaner et al.  
 2007/0226655 A1 9/2007 Shimizu  
 2008/0057941 A1 3/2008 Scott et al.  
 2008/0155415 A1 6/2008 Yoon et al.  
 2008/0201664 A1 8/2008 O  
 2009/0113333 A1 \* 4/2009 Dellinger ..... G06F 3/04886  
 715/771  
 2009/0228820 A1 \* 9/2009 Kim ..... G06F 3/04817  
 715/769  
 2010/0146387 A1 \* 6/2010 Hoover ..... G06F 3/04883  
 715/702  
 2010/0175022 A1 \* 7/2010 Diehl ..... G06F 3/0481  
 715/784

2011/0083103 A1 \* 4/2011 Shim ..... G06F 3/0482  
 715/810  
 2012/0084714 A1 4/2012 Sirpal et al.  
 2012/0297342 A1 11/2012 Jang et al.  
 2012/0313946 A1 12/2012 Nakamura et al.  
 2013/0067419 A1 3/2013 Eltoft  
 2013/0326422 A1 \* 12/2013 Kang ..... G06F 3/012  
 715/841  
 2015/0378446 A1 \* 12/2015 Masseron ..... G06F 3/03  
 345/156  
 2016/0127652 A1 \* 5/2016 Park ..... G06F 3/04845  
 715/835

OTHER PUBLICATIONS

ChristopheHeylen, signage icons-black-part4, posted at iStock, posting date Feb. 1, 2007. [online], [site visited May 19, 2016]. Available from Internet, <URL: <http://www.istockphoto.com/vector/signage-icons-black-part-4-gm165072657-2778915?st=25871e5>>.\*  
 Belomlinsky, Alex, photo cameras sticker set, posted at iStock, posting date Sep. 2, 2010. [online], [site visited May 19, 2016]. Available from Internet, <URL: <http://www.istockphoto.com/vector/photo-cameras-royalty-free-vector-icon-set-stickers-gm164547674-14052146>>.\*  
 Juffin, Multimedia icons, posted at iStock, posting date Mar. 25, 2011. [online], [site visited May 19, 2016]. Available from Internet, <URL: <http://www.istockphoto.com/vector/multimedia-icons-gm114388535-16078990>>.\*  
 Browndogstudios, Camera Icon, posted at iStock, posting date Nov. 25, 2007. [online], [site visited May 19, 2016]. Available from Internet, <URL: <http://www.istockphoto.com/vector/camera-icon-gm165073143-4763525>>.\*  
 Kenex, Black & White icons set, posted at iStock, posting date Mar. 17, 2011. [online], [site visited May 19, 2016]. Available from Internet, <URL: <http://www.istockphoto.com/vector/black-amp-white-icons-set-media-gm165761038-16010087>>.\*  
 Trademark Serial No. 86226275, Apple Inc., filed Mar. 19, 2014, priority filing date Oct. 16, 2013.

\* cited by examiner

