



US00D774085S

(12) **United States Design Patent**
Montes et al.

(10) **Patent No.:** **US D774,085 S**
(45) **Date of Patent:** **** Dec. 13, 2016**

(54) **COMPUTER DISPLAY WITH ICONS**

- (71) Applicant: **Vixlet LLC**, Los Angeles, CA (US)
- (72) Inventors: **Juan Montes**, Los Angeles, CA (US);
Dana McMullin, Los Angeles, CA (US);
Bianca Fuchs, Van Nuys, CA (US);
Edward Schofield, Los Angeles, CA (US)
- (73) Assignee: **Vixlet LLC**, Los Angeles, CA (US)
- (**) Term: **15 Years**
- (21) Appl. No.: **29/526,734**
- (22) Filed: **May 13, 2015**

Related U.S. Application Data

- (63) Continuation-in-part of application No. 29/506,179, filed on Oct. 14, 2014, which is a continuation-in-part of application No. 29/504,425, filed on Oct. 6, 2014.
- (51) **LOC (10) Cl.** **14-04**
- (52) **U.S. Cl.**
USPC **D14/489**
- (58) **Field of Classification Search**
USPC D14/485–495

(Continued)

(56) **References Cited**

U.S. PATENT DOCUMENTS

4,321,416 A 3/1982 Tennant
4,588,151 A 5/1986 Mori

(Continued)

FOREIGN PATENT DOCUMENTS

CA 161783 S 3/2016
CA 166074 S 3/2016

(Continued)

OTHER PUBLICATIONS

play.google.com, [Online] retrieved from the internet: <https://play.google.com/store/apps/details?id=com.honeycomb.home>, (2015).

(Continued)

Primary Examiner — Barbara Fox
Assistant Examiner — Dana K Weiland

(74) *Attorney, Agent, or Firm* — Schwegman Lundberg & Woessner, P.A.

(57) **CLAIM**

The ornamental designs for a computer display with icons, as shown and described.

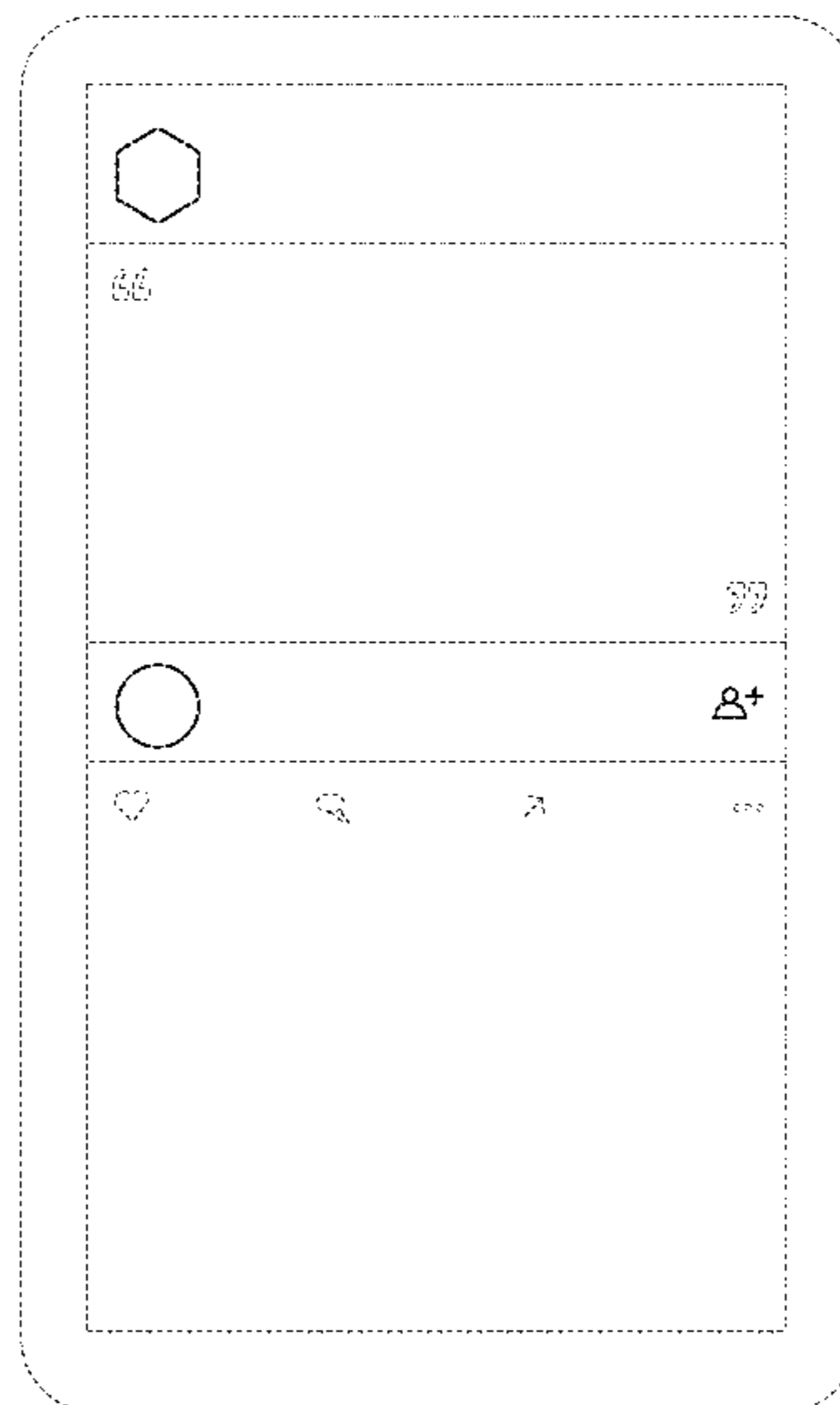
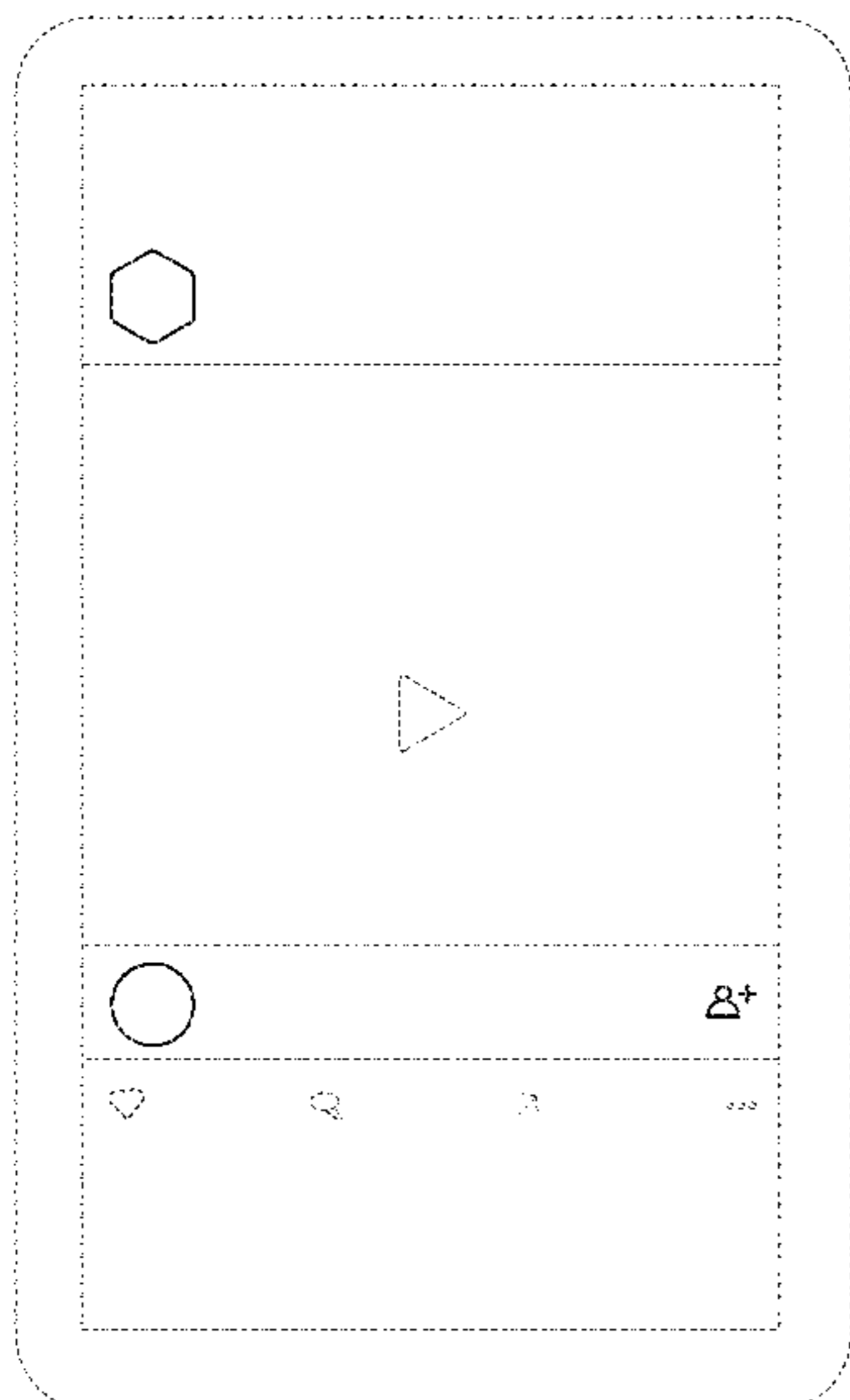
DESCRIPTION

FIG. 1 is a front view of a computer display with icons showing the new design in a first embodiment; and, FIG. 2 is a front view of a computer display with icons showing the new design in a second embodiment.

The broken lines shown in the drawings illustrate portions of the computer screen with icons that form no part of the claimed design.

The icon(s) shown in this disclosure constitute a trademark of the assignee company, Vixlet, LLC. The icon(s) shown in this disclosure also constitute material covered by copyright owned by the assignee company. The assignee company, owner of the copyright and trademark, has no objection to the reproduction of the patent document or the patent disclosure, as it appears in the U.S. Patent Office records, but reserves all other copyright and trademark rights whatsoever.

1 Claim, 2 Drawing Sheets



(58) **Field of Classification Search**
 CPC H04N 1/00424; G06T 13/80; G06T 15/02;
 G06F 3/04817; G06F 3/0481; G06F
 17/50; G06F 17/246; G06F 17/24; G06F
 17/243; G06F 17/30115; G06F 3/0484;
 G11B 19/025; G05B 19/418; H04M
 1/72519
 See application file for complete search history.

(56) **References Cited**
 U.S. PATENT DOCUMENTS

4,635,351 A 1/1987 Koch et al.
 5,102,129 A 4/1992 Roberts
 5,415,071 A 5/1995 Davies
 5,533,636 A 7/1996 Reiker
 5,767,854 A 6/1998 Anwar
 5,898,435 A * 4/1999 Nagahara G06F 3/04815
 715/841
 5,903,255 A 5/1999 Busch et al.
 6,124,726 A 9/2000 Dohnal et al.
 6,266,098 B1 * 7/2001 Cove H04N 5/44543
 348/563
 6,297,838 B1 10/2001 Chang et al.
 D456,028 S * 4/2002 Sakata D14/488
 6,519,628 B1 * 2/2003 Locascio H04L 12/1813
 709/204
 6,593,941 B1 7/2003 Sameshima
 6,670,535 B2 * 12/2003 Anderson G10H 1/34
 84/443
 D489,162 S 5/2004 Dings-plooj
 D497,366 S 10/2004 Sela
 7,216,008 B2 * 5/2007 Sakata G10H 1/0041
 700/94
 D547,365 S 7/2007 Reyes et al.
 7,246,329 B1 * 7/2007 Miura G06F 3/0482
 715/764
 D554,140 S 10/2007 Armendariz
 7,479,949 B2 1/2009 Jobs et al.
 D597,101 S 7/2009 Chaudhri et al.
 D600,200 S 9/2009 Dimov et al.
 D606,081 S * 12/2009 Parker D14/485
 D606,082 S 12/2009 Parker et al.
 D606,089 S * 12/2009 Lal D14/488
 7,683,940 B2 3/2010 Fleming
 D614,645 S * 4/2010 Kristensson D14/487
 D622,733 S * 8/2010 Lal D14/488
 7,830,396 B2 * 11/2010 Lindberg G06Q 10/10
 345/520
 D628,580 S * 12/2010 Pearson D14/488
 D641,556 S 7/2011 Hutchison
 D651,610 S 1/2012 Anzures
 D656,722 S 4/2012 Hall
 8,191,001 B2 * 5/2012 Van Wie H04L 12/1822
 707/724
 8,209,633 B1 6/2012 Eismann et al.
 8,229,237 B2 7/2012 Sahr
 D671,134 S 11/2012 Arnold
 D677,690 S 3/2013 Phelan
 D682,289 S 5/2013 Dijulio et al.
 D689,889 S 9/2013 Frijlink et al.
 8,545,966 B2 10/2013 Vito et al.
 8,570,319 B2 10/2013 Van Baar et al.
 D693,846 S 11/2013 Daniel
 8,573,571 B2 11/2013 Langhorst et al.
 D694,892 S 12/2013 Chan et al.
 D708,209 S 7/2014 Glaeske et al.
 8,789,094 B1 * 7/2014 Singh G06F 3/00
 348/14.01
 D712,822 S * 9/2014 Brusaw D13/102
 D712,909 S 9/2014 Francisco et al.
 D712,918 S * 9/2014 Frick D14/487
 D713,410 S 9/2014 Francisco et al.
 8,845,110 B1 9/2014 Worley, III
 8,849,032 B2 9/2014 Blennerhassett
 D715,785 S * 10/2014 Jacob D14/250

D717,775 S 11/2014 Hemesath et al.
 D721,226 S 1/2015 Petrie et al.
 D723,060 S * 2/2015 Daniel D14/492
 D729,836 S 5/2015 Lee
 D733,179 S 6/2015 Kwon
 D736,808 S 8/2015 Soegiono et al.
 D737,263 S 8/2015 Armstrong et al.
 D740,847 S * 10/2015 Yampolskiy D14/486
 D743,433 S 11/2015 Herold et al.
 D746,325 S 12/2015 Hwang et al.
 D746,566 S 1/2016 Rasmussen
 D747,340 S * 1/2016 Seo D14/487
 D749,097 S 2/2016 Zou et al.
 D749,630 S 2/2016 Hwang et al.
 D750,661 S 3/2016 Funnell, II et al.
 D751,568 S 3/2016 Kim et al.
 D752,084 S 3/2016 Xie et al.
 D753,671 S * 4/2016 Vazquez D14/485
 D754,168 S * 4/2016 Vazquez D14/486
 D754,692 S 4/2016 Hurst et al.
 2001/0008053 A1 7/2001 Belli
 2002/0112237 A1 8/2002 Kelts et al.
 2003/0156146 A1 * 8/2003 Suomela G06F 3/0481
 715/864
 2004/0119744 A1 6/2004 Chan
 2004/0155857 A1 * 8/2004 Duthaler G02F 1/1334
 345/107
 2005/0235226 A1 10/2005 Watanabe et al.
 2006/0253793 A1 11/2006 Zhai et al.
 2007/0011617 A1 1/2007 Akagawa et al.
 2008/0144942 A1 * 6/2008 Besley G06K 9/6204
 382/209
 2008/0180399 A1 * 7/2008 Cheng G06F 3/041
 345/173
 2008/0276178 A1 * 11/2008 Fadell G02B 27/017
 715/733
 2008/0307362 A1 * 12/2008 Chaudhri G06F 3/0481
 715/835
 2010/0100849 A1 4/2010 Fram
 2011/0239148 A1 * 9/2011 Setlur G06Q 10/107
 715/771
 2011/0271186 A1 * 11/2011 Owens G06F 3/04847
 715/716
 2012/0036466 A1 2/2012 Venon et al.
 2012/0084168 A1 4/2012 Adair et al.
 2012/0137225 A1 5/2012 Soon et al.
 2012/0185788 A1 7/2012 Fong et al.
 2013/0091468 A1 * 4/2013 Xie H04M 1/67
 715/835
 2013/0174096 A1 * 7/2013 Lewin G06F 3/04817
 715/835
 2014/0059431 A1 2/2014 Svendsen et al.
 2014/0100005 A1 4/2014 Bae et al.
 2014/0248590 A1 9/2014 McCormick
 2014/0282188 A1 * 9/2014 Hathaway G06F 3/048
 715/771
 2014/0306200 A1 * 10/2014 Jinta H01L 27/3218
 257/40
 2014/0349733 A1 * 11/2014 Saunders G07F 17/34
 463/20
 2015/0070770 A1 * 3/2015 Nomoto G02B 3/0043
 359/626
 2015/0074615 A1 * 3/2015 Han G06K 9/00033
 715/863
 2015/0082224 A1 * 3/2015 Hathaway G06F 9/44
 715/771
 2015/0102307 A1 * 4/2015 Tajima H01L 51/5215
 257/40
 2015/0124008 A1 * 5/2015 Wong G09G 3/2003
 345/691
 2015/0161922 A1 * 6/2015 Szyman G09F 23/00
 40/538
 2015/0293280 A1 * 10/2015 Lee G02B 5/201
 359/891
 2015/0293405 A1 * 10/2015 Park G02F 1/133608
 349/69

(56)

References Cited

U.S. PATENT DOCUMENTS

2015/0312560 A1* 10/2015 Deering G02B 13/0085
345/1.3
2015/0331168 A1* 11/2015 Wang G02B 6/003
362/606
2015/0338709 A1* 11/2015 Yoshida G02F 1/136277
257/59
2016/0026253 A1* 1/2016 Bradski G02B 27/225
345/8

FOREIGN PATENT DOCUMENTS

CN 303551126 S 1/2016
CN 303564250 S 1/2016

OTHER PUBLICATIONS

“Android Shape: Circle with cross(plus)”, stackoverflow, [Online]. Retrieved from the Internet: <http://stackoverflow.com/questions/29035384/android-shape-circle-with-crossplus>, (Mar. 15, 2015), 2.
“U.S. Appl. No. 29/504,425, Response filed Mar. 10, 2016 to Restriction Requirement mailed Jan. 14, 2016”, 8 pgs.
“U.S. Appl. No. 29/504,425, Final Office Action mailed Apr. 8, 2016”, 15 pgs.
“U.S. Appl. No. 29/504,425, Restriction Requirement mailed Jan. 14, 2016”, 12 pgs.
“U.S. Appl. No. 29/506,179, Non Final Office Action mailed Apr. 13, 2016”, 17 pgs.
“U.S. Appl. No. 29/506,179, Response filed Mar. 21, 2016 to Restriction Requirement mailed Jan. 20, 2016”, 9 pgs.
“U.S. Appl. No. 29/506,179, Restriction Requirement mailed Jan. 20, 2016”, 13 pgs.
“U.S. Appl. No. 29/526,726, Response filed Mar. 21, 2016 to Restriction Requirement mailed Jan. 20, 2016”, 9 pgs.
“U.S. Appl. No. 29/526,726, Restriction Requirement mailed Jan. 20, 2016”, 13 pgs.

“U.S. Appl. No. 29/526,729, Response filed Apr. 4, 2016 to Restriction Requirement mailed Feb. 2, 2016”, 9 pgs.
“U.S. Appl. No. 29/526,729, Restriction Requirement mailed Feb. 2, 2016”, 13 pgs.
“U.S. Appl. No. 29/526,731, Response filed Apr. 4, 2016 Restriction Requirement mailed Feb. 3, 2016”, 11 pgs.
“U.S. Appl. No. 29/526,731, Restriction Requirement mailed Feb. 3, 2016”, 13 pgs.
“U.S. Appl. No. 29/526,732, Response filed Apr. 4, 2016 to Restriction Requirement mailed Feb. 3, 2016”, 10 pgs.
“U.S. Appl. No. 29/526,732, Restriction Requirement mailed Feb. 3, 2016”, 13 pgs.
“U.S. Appl. No. 29/526,733, Non Final Office Action mailed May 6, 2016”, 11 pgs.
“U.S. Appl. No. 29/526,733, Response filed Apr. 4, 2016 to Restriction Requirement mailed Feb. 2, 2016”, 9 pgs.
“U.S. Appl. No. 29/526,733, Restriction Requirement mailed Feb. 2, 2016”, 13 pgs.
“U.S. Appl. No. 29/526,735, Response filed Apr. 4, 2016 to Restriction Requirement mailed Feb. 3, 2016”, 10 pgs.
“U.S. Appl. No. 29/526,735, Restriction Requirement mailed Feb. 3, 2016”, 13 pgs.
“U.S. Appl. No. 29/526,736, Response filed Apr. 4, 2016 to Restriction Requirement mailed Feb. 3, 2016”, 12 pgs.
“U.S. Appl. No. 29/526,736, Restriction Requirement mailed Feb. 3, 2016”, 13 pgs.
“Canadian Application Serial No. 161,783, Office Action mailed Aug. 31, 2015”, 3 pgs.
“Eldorado Stroke Player”, iconfinder, [Online]. Retrieved from the Internet: <https://www.iconfinder.com/iconsets/eldorado-stroke-player>, (Sep. 25, 2013), 17 pgs.
“Rounded Hexagon Scrapbook Page with Free Pattern”, [Online] retrieved from the internet: http://scrapbooking.about.com/od/freepatternsforembellishments/ss/Rounded-Hexagon-Scrapbook-Page-With-Free-Pattern.htm?utm_source=pinterest_ip&utm_medium=sm&utm_campaign=shareurlbuttons#step2, (2012).

* cited by examiner

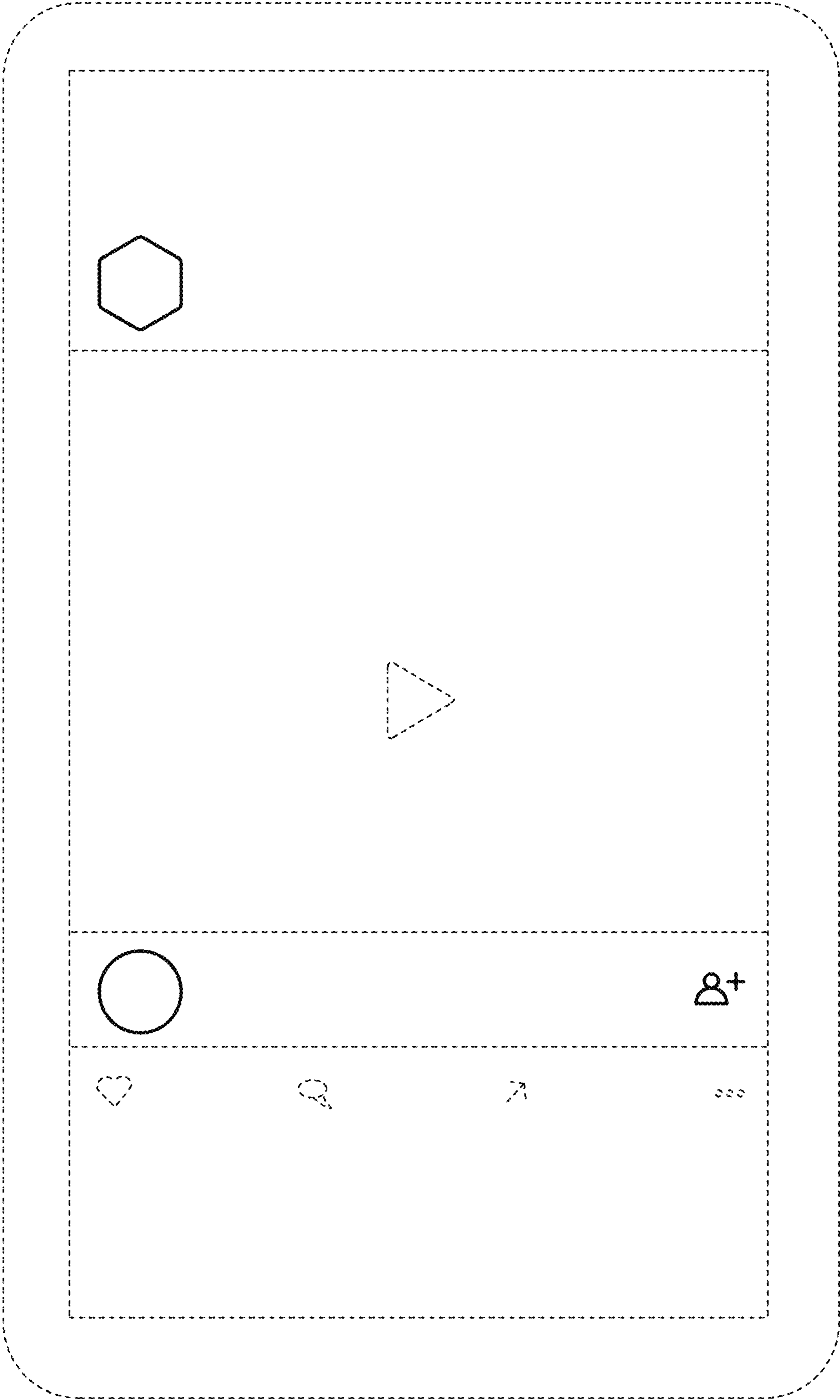


FIG. 1

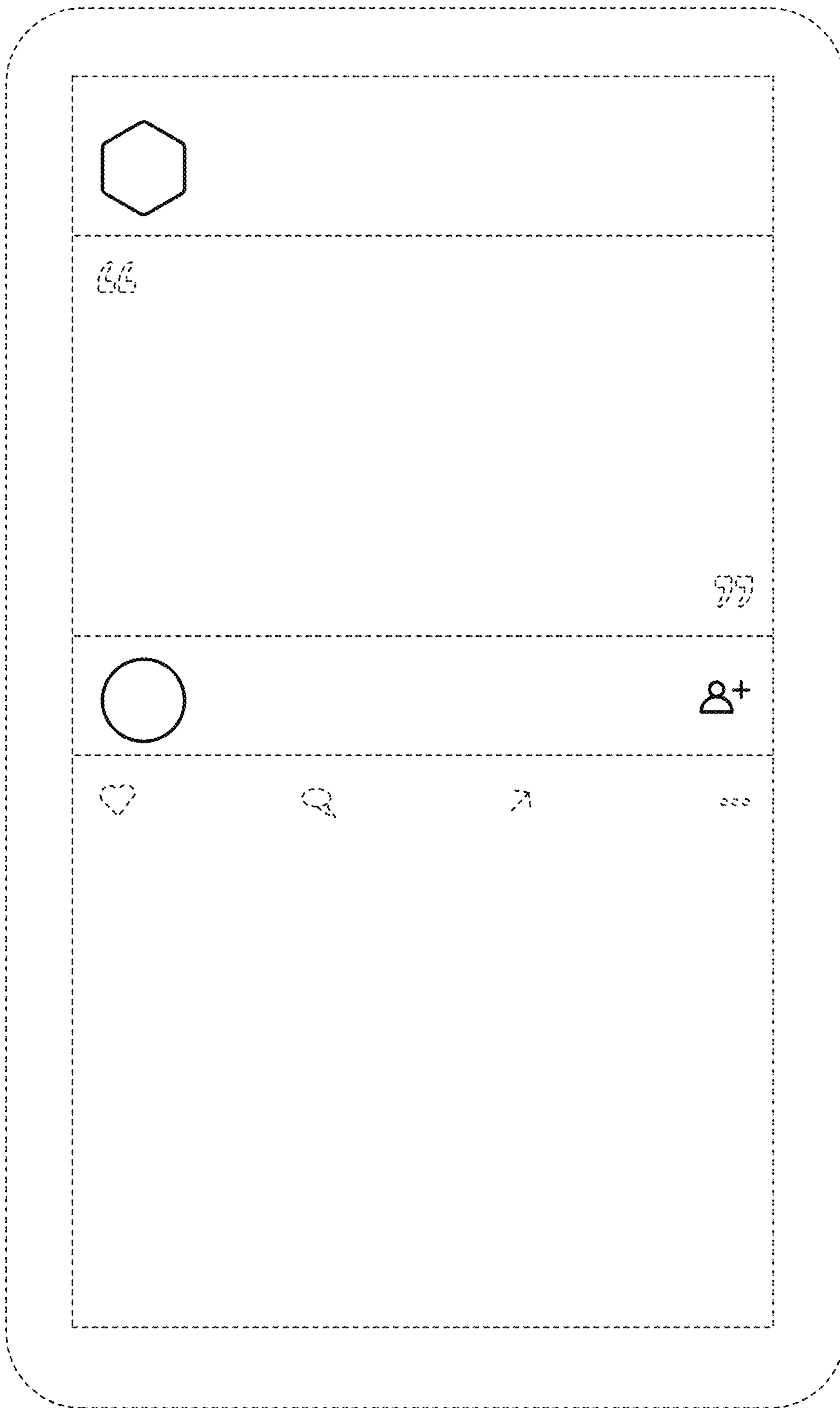


FIG. 2