



US00D774080S

(12) **United States Design Patent** (10) **Patent No.:** **US D774,080 S**
Yoo et al. (45) **Date of Patent:** **** Dec. 13, 2016**

(54) **DISPLAY SCREEN OR PORTION THEREOF WITH ANIMATED GRAPHICAL USER INTERFACE**

D645,470 S * 9/2011 Matas D14/489
D667,428 S * 9/2012 Wujcik D14/489
D676,060 S * 2/2013 Frost D14/490
D677,271 S * 3/2013 Phelan D14/489
D681,669 S * 5/2013 Phelan D14/489

(71) Applicant: **Samsung Electronics Co., Ltd.**,
Suwon-si (KR)

(Continued)

(72) Inventors: **Jina Yoo**, Seoul (KR); **Sang Su Lee**,
Seoul (KR); **Hyun Il Lee**,
Namyangju-si (KR); **Serrah Lim**,
Bucheon-si (KR)

OTHER PUBLICATIONS

Louie Mantia, "Oak App Icon" Oct. 27, 2016 <https://dribbble.com/shots/1288357-Oak-App-Icon> cited Feb. 23, 2016.*

(73) Assignee: **Samsung Electronics Co., Ltd.**,
Suwon-si (KR)

Primary Examiner — Melanie H Tung

Assistant Examiner — Bao-Yen Nguyen

(**) Term: **14 Years**

(74) *Attorney, Agent, or Firm* — NSIP Law

(21) Appl. No.: **29/509,461**

(57) **CLAIM**

(22) Filed: **Nov. 18, 2014**

We claim the ornamental design for a display screen or portion thereof with animated graphical user interface, as shown and described.

(30) **Foreign Application Priority Data**

May 22, 2014 (KR) 30-2014-0025359

(51) **LOC (10) Cl.** **14-04**

(52) **U.S. Cl.**
USPC **D14/489**

DESCRIPTION

(58) **Field of Classification Search**
USPC D14/485-495
CPC G06F 3/048; G06F 3/0481; G06F 3/04812;
G06F 3/04815; G06F 3/04817; G06F
3/0482; G06F 3/0483; G06F 3/0484;
G06F 3/04842; G06F 3/04845; G06F
3/04847; G06F 3/0485; G06F
3/04855; G06F 3/0486; G06F
3/0487; G06F 3/0488; G06F
3/04883; G06F 3/04886; H04N 1/00424
See application file for complete search history.

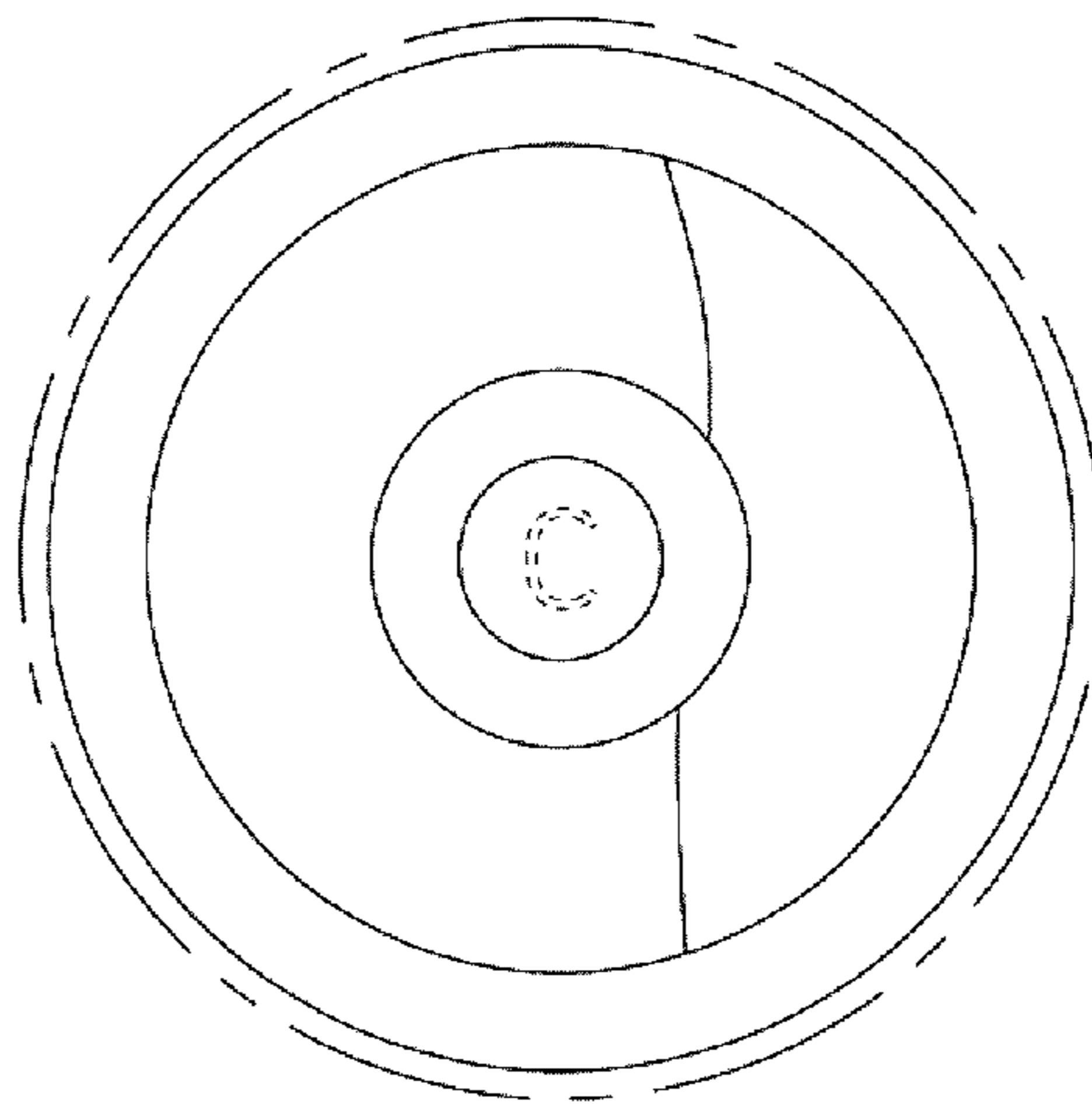
FIG. 1 is the first image in a sequence for a display screen or portion thereof with animated graphical user interface showing our new design;
FIG. 2 is the second image thereof;
FIG. 3 is the third image thereof; and,
FIG. 4 is the fourth image thereof.
The dot-dash broken lines illustrate the display screen or portion thereof and form no part of the claimed design. The dash-dash broken lines illustrate portions of the graphical user interface and form no part of the claimed design.
The appearance of the animated graphical user interface sequentially transitions between the images shown in FIGS. 1-4. The process or period in which one image transitions to another forms no part of the claimed design.

(56) **References Cited**

U.S. PATENT DOCUMENTS

D644,242 S * 8/2011 Matas D14/489
D644,243 S * 8/2011 Matas D14/489

1 Claim, 4 Drawing Sheets



(56)

References Cited

U.S. PATENT DOCUMENTS

D683,359	S	*	5/2013	Phelan	D14/489
D687,063	S	*	7/2013	Myung	D14/489
D687,459	S	*	8/2013	Sloo	D14/489
D687,460	S	*	8/2013	Tyler	D14/489
D688,268	S	*	8/2013	Myung	D14/491
D688,269	S	*	8/2013	Jang	D14/491
D688,698	S	*	8/2013	Phelan	D14/489
D690,729	S	*	10/2013	Abratowski	D14/489
D690,730	S	*	10/2013	Jogano	D14/489
D702,720	S	*	4/2014	Abratowski	D14/489
D706,807	S	*	6/2014	Harre	D14/488
D706,814	S	*	6/2014	Phelan	D14/489
D707,705	S	*	6/2014	Folken	D14/490
D709,094	S	*	7/2014	Jogano	D14/490
D711,916	S	*	8/2014	Matas	D14/490

* cited by examiner

Fig. 1

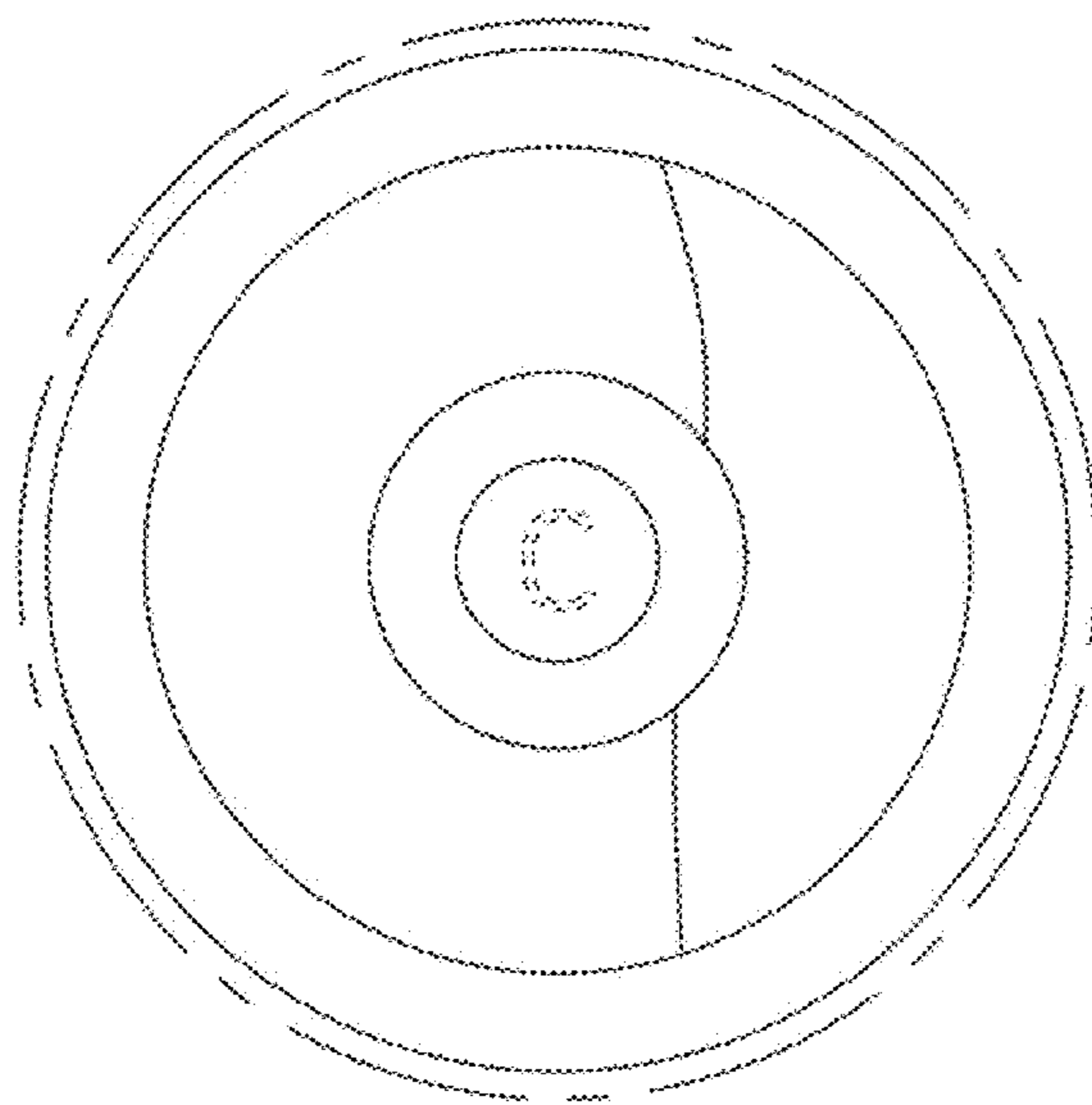


Fig. 2

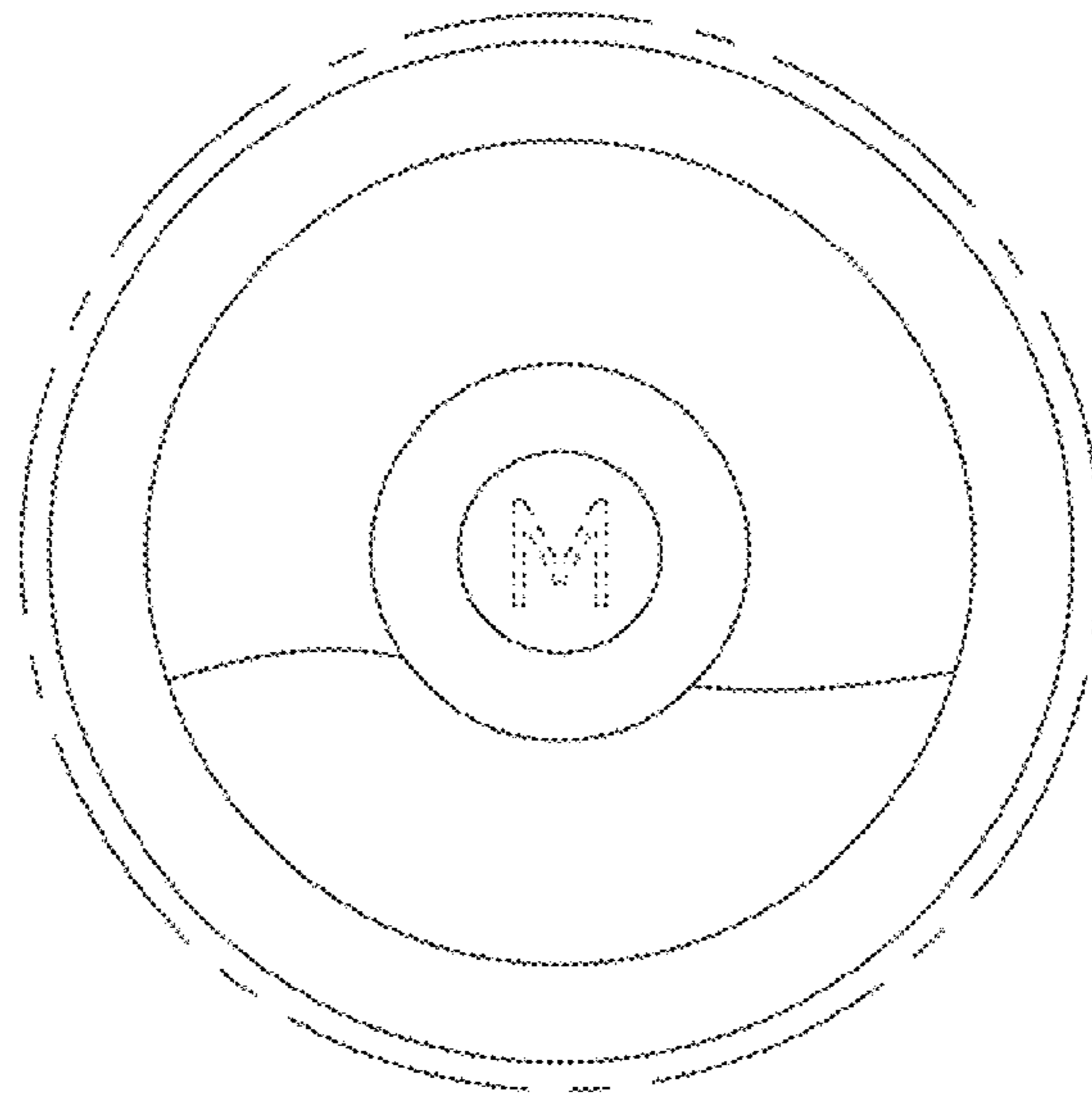


Fig. 3

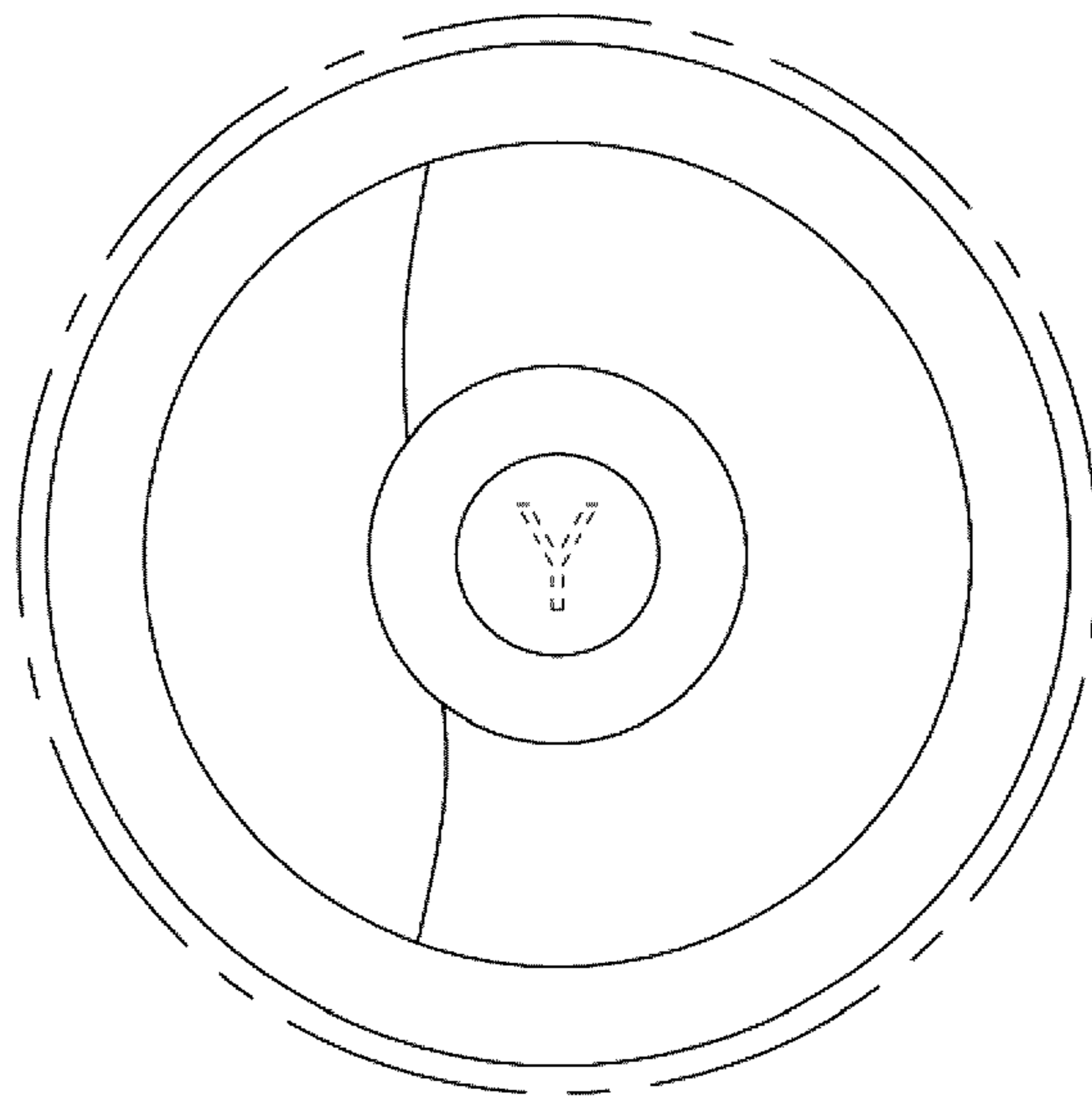


Fig. 4

