



US00D774064S

(12) **United States Design Patent**
Liu et al.

(10) **Patent No.:** **US D774,064 S**
(45) **Date of Patent:** **** Dec. 13, 2016**

(54) **DISPLAY SCREEN OR PORTION THEREOF WITH ANIMATED GRAPHICAL USER INTERFACE**

(71) Applicant: **Tencent Technology (Shenzhen) Company Limited**, Guangdong (CN)

(72) Inventors: **Fen Liu**, Guangdong (CN); **Xin Xu**, Guangdong (CN); **Jianmin Lu**, Guangdong (CN)

(73) Assignee: **Tencent Technology (Shenzhen) Company Limited** (CN)

(**) Term: **14 Years**

(21) Appl. No.: **29/503,891**

(22) Filed: **Sep. 30, 2014**

(51) **LOC (10) Cl.** **14-04**

(52) **U.S. Cl.**
USPC **D14/486**

(58) **Field of Classification Search**
USPC D14/485–495

(Continued)

(56) **References Cited**

U.S. PATENT DOCUMENTS

D599,363 S * 9/2009 Mays D14/485
D641,372 S * 7/2011 Gardner D14/486

(Continued)

Primary Examiner — Melanie H Tung

Assistant Examiner — Bao-Yen Nguyen

(74) *Attorney, Agent, or Firm* — Design IP

(57) **CLAIM**

The ornamental design for an a display screen or portion thereof with animated graphical user interface, as shown and described.

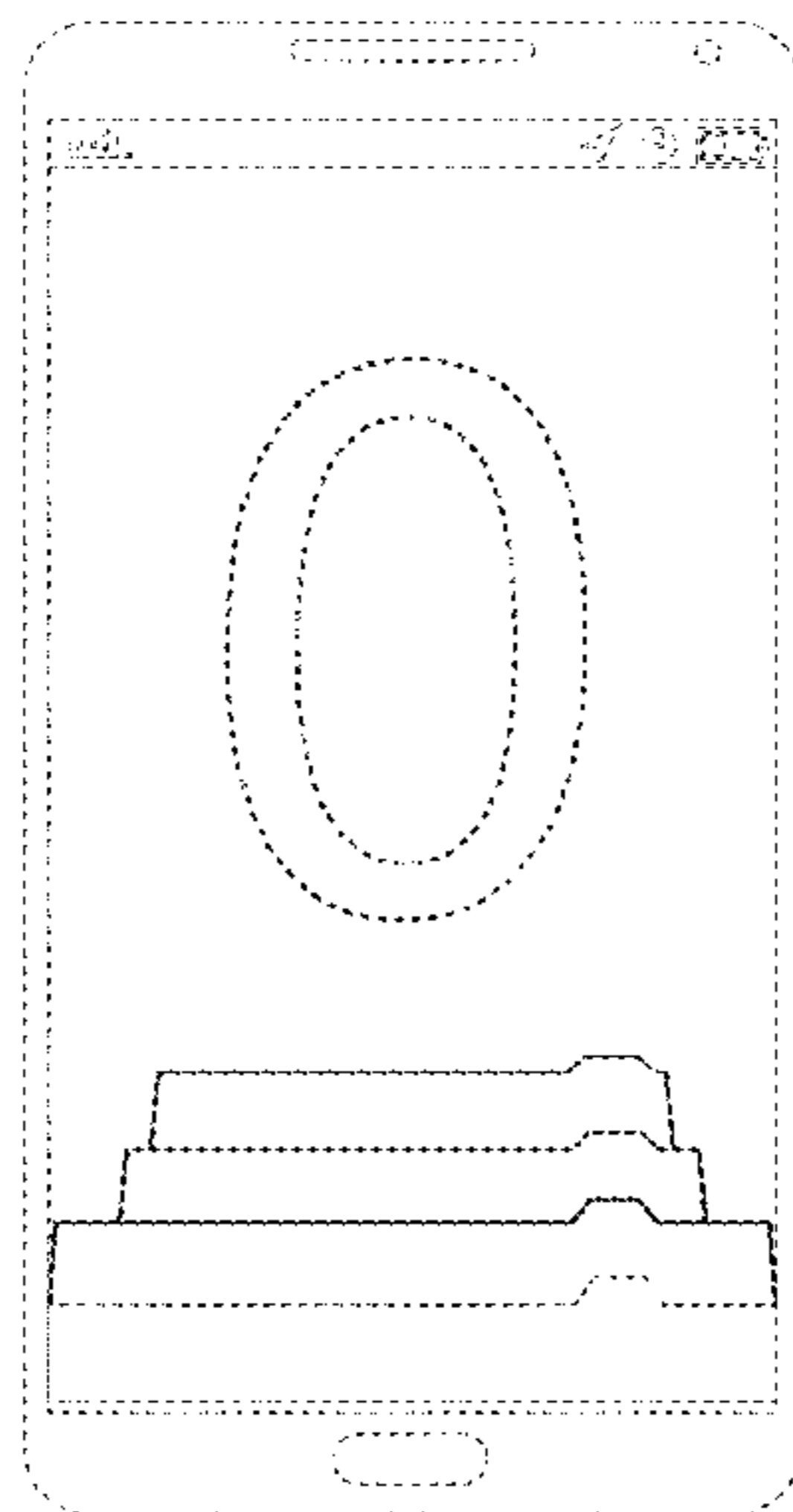
DESCRIPTION

FIG. 1 is a front view of a first image of a first embodiment of an a display screen or portion thereof with animated graphical user interface showing our new design; FIG. 2 is a front view of a second image thereof; FIG. 3 is a front view of a third image thereof; FIG. 4 is a front view of a fourth image thereof; FIG. 5 is a front view of a fifth image thereof; a FIG. 6 is a front view of a sixth image thereof; FIG. 7 is a front view of a first image of a second embodiment of an a display screen or portion thereof with animated graphical user interface showing our new design; FIG. 8 is a front view of a second image thereof; FIG. 9 is a front view of a third image thereof; FIG. 10 is a front view of a fourth image thereof; FIG. 11 is a front view of a fifth image thereof; FIG. 12 is a front view of a sixth image thereof; FIG. 13 is a front view of a seventh image thereof; FIG. 14 is a front view of a first image of a third embodiment of an a display screen or portion thereof with animated graphical user interface showing our new design; FIG. 15 is a front view of a second image thereof; FIG. 16 is a front view of a third image thereof; FIG. 17 is a front view of a fourth image thereof; FIG. 18 is a front view of a fifth image thereof; and, FIG. 19 is a front view of a sixth image thereof.

In the first embodiment, the appearance of the transitional image sequentially transitions between the images shown in FIGS. 1 through 6. In the second embodiment, the appearance of the transitional image sequentially transitions between the images shown in FIGS. 7 through 13. In the third embodiment, the appearance of the transitional image sequentially transitions between the images shown in FIGS. 14 through 19. The process or period in which one image transitions to another image forms no part of the claimed design.

The broken line showing a portion of a display screen and a mobile device in FIGS. 1 through 19 forms no part of the claimed design. The broken line showing of text and portions of the graphical user interface in FIGS. 1 through 19 represents environmental subject matter and forms no part of the claimed design.

1 Claim, 19 Drawing Sheets



(58) **Field of Classification Search**

CPC G06F 3/048; G06F 3/0481; G06F 3/04812;
 G06F 3/04815; G06F 3/04817; G06F
 3/0482; G06F 3/0483; G06F 3/0484;
 G06F 3/04842; G06F 3/04845; G06F
 3/04847; G06F 3/0485; G06F
 3/04855; G06F 3/0486; G06F
 3/0487; G06F 3/0488; G06F
 3/04883; G06F 3/04886

See application file for complete search history.

(56) **References Cited**

U.S. PATENT DOCUMENTS

D642,192 S * 7/2011 Arnold D14/487
 D658,675 S * 5/2012 Gleasman D14/488
 D662,942 S * 7/2012 Trabona D14/488
 D664,555 S * 7/2012 Gleasman D14/487
 D664,974 S * 8/2012 Gleasman D14/486
 D664,987 S * 8/2012 Gleasman D14/488
 D673,167 S * 12/2012 Woo D14/487
 D673,168 S * 12/2012 Frijlink D14/487
 D682,872 S * 5/2013 Frijlink D14/487
 D695,779 S * 12/2013 Edwards D14/488
 D695,781 S * 12/2013 Edwards D14/488

D697,940 S * 1/2014 Bitran D14/487
 D698,799 S * 2/2014 Edwards D14/486
 D699,740 S * 2/2014 Woo D14/487
 D699,743 S * 2/2014 Arnold D14/488
 D701,513 S * 3/2014 Park D14/485
 D705,801 S * 5/2014 Kerr D14/488
 D710,874 S * 8/2014 Kim D14/487
 D716,320 S * 10/2014 Fan D14/485
 D716,321 S * 10/2014 Fan D14/485
 D716,339 S * 10/2014 Lee D14/488
 D720,770 S * 1/2015 Lacour D14/487
 D721,382 S * 1/2015 Brinda D14/486
 D722,076 S * 2/2015 Zhang D14/486
 D739,864 S * 9/2015 Kang D14/486
 D740,845 S * 10/2015 Karunamuni D14/486
 D741,885 S * 10/2015 Gomez D14/486
 D741,897 S * 10/2015 Wilkinson D14/488
 D743,414 S * 11/2015 Shunock D14/485
 D743,997 S * 11/2015 Cardell D14/488
 D743,999 S * 11/2015 Villamor D14/488
 D744,000 S * 11/2015 Villamor D14/488
 D745,545 S * 12/2015 Lee D14/486
 D745,550 S * 12/2015 Sanderson D14/488
 2011/0107223 A1 * 5/2011 Tilton G06Q 10/10
 715/730
 2015/0242909 A1 * 8/2015 Nishio G06Q 30/0277
 705/14.69

* cited by examiner

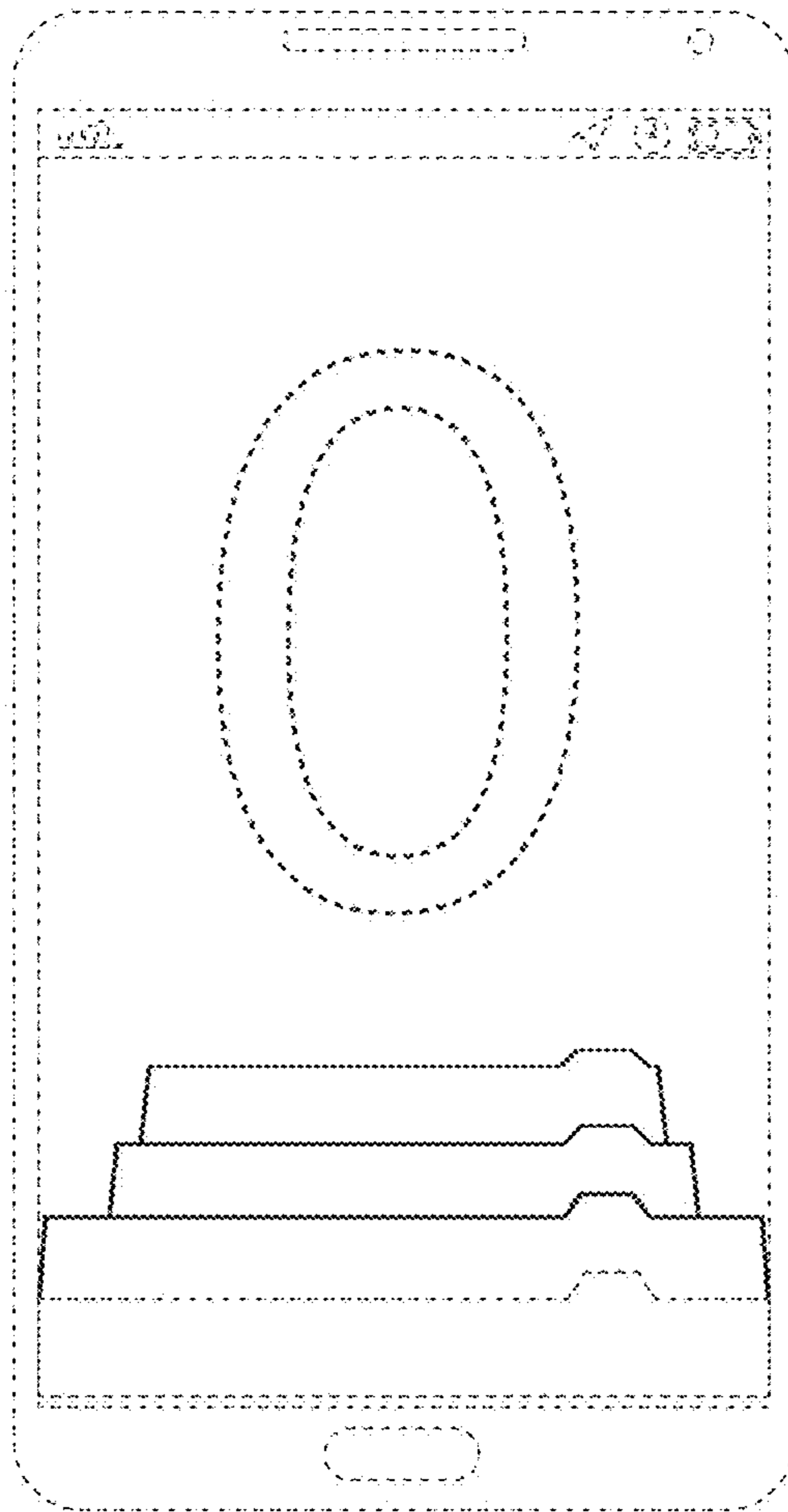


FIG. 1

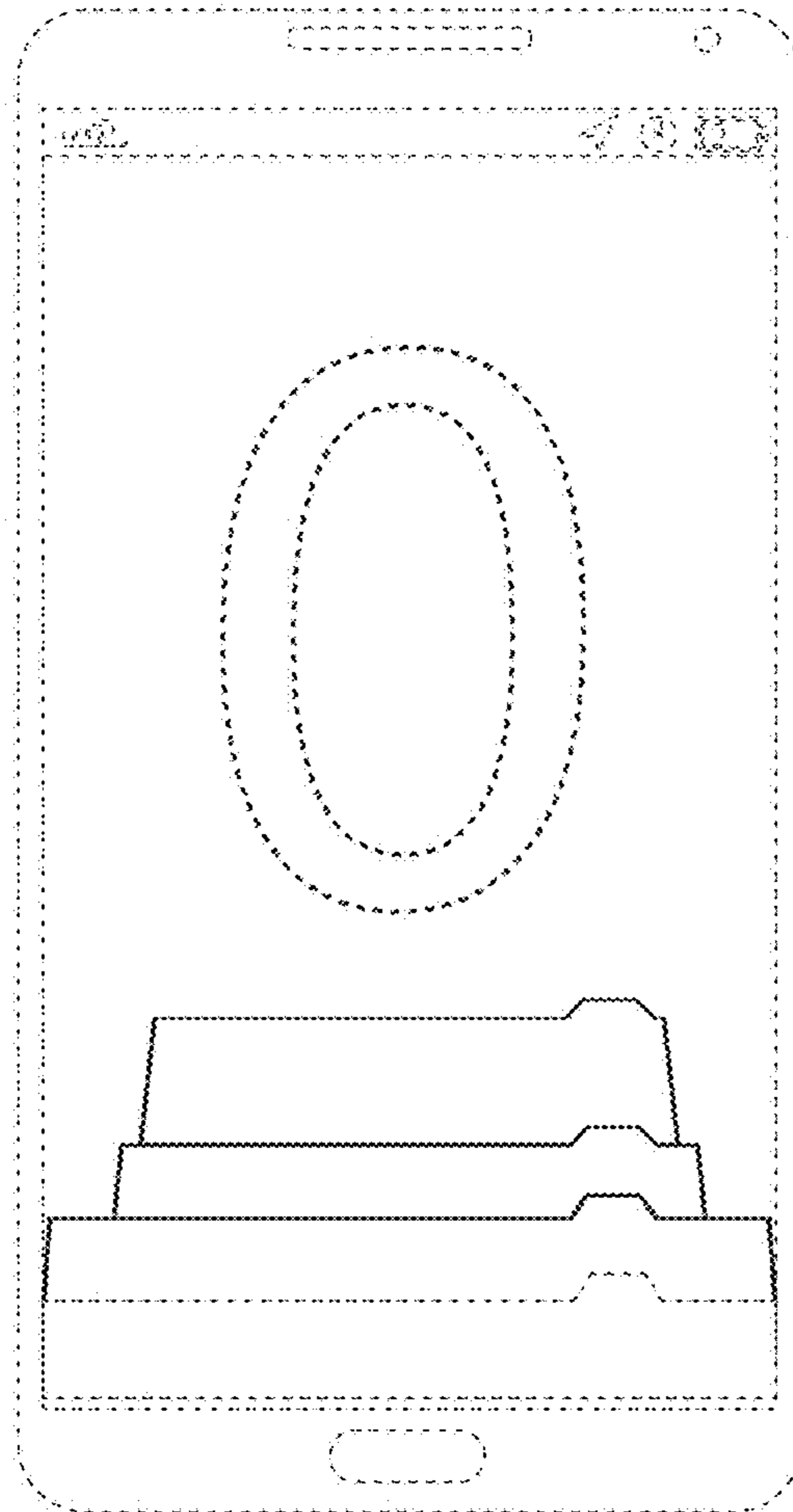


FIG. 2

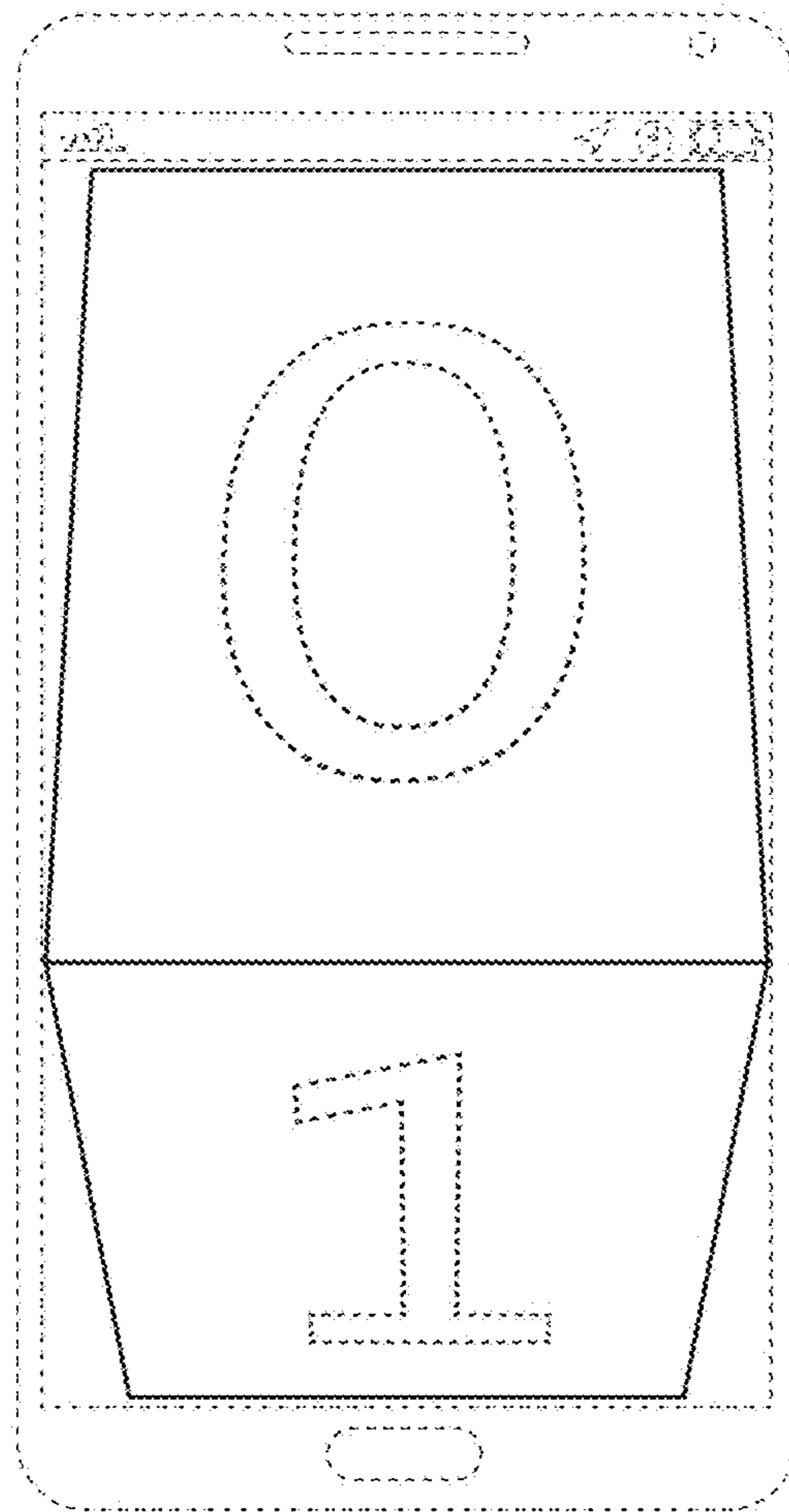


FIG. 3

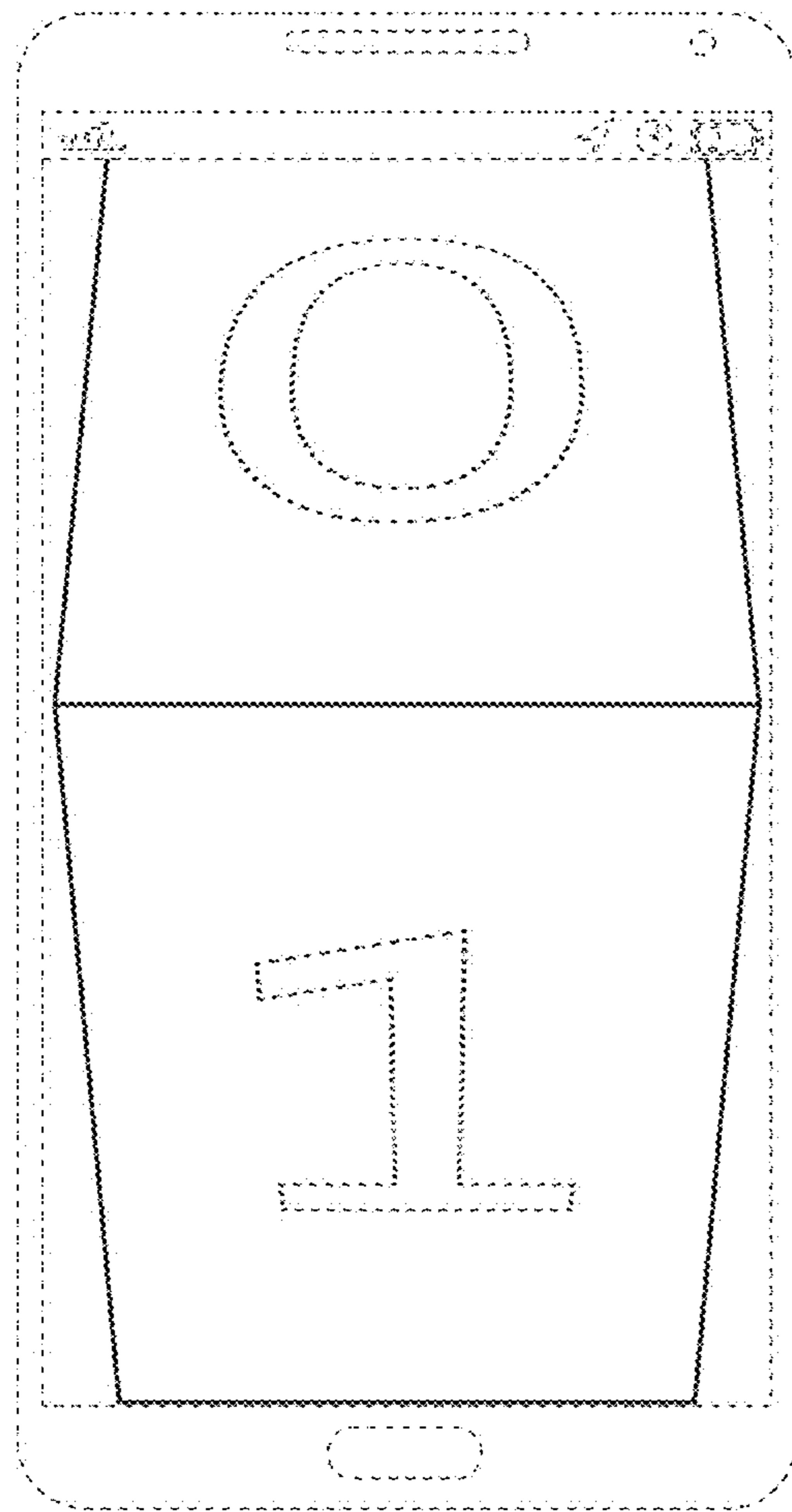


FIG. 4

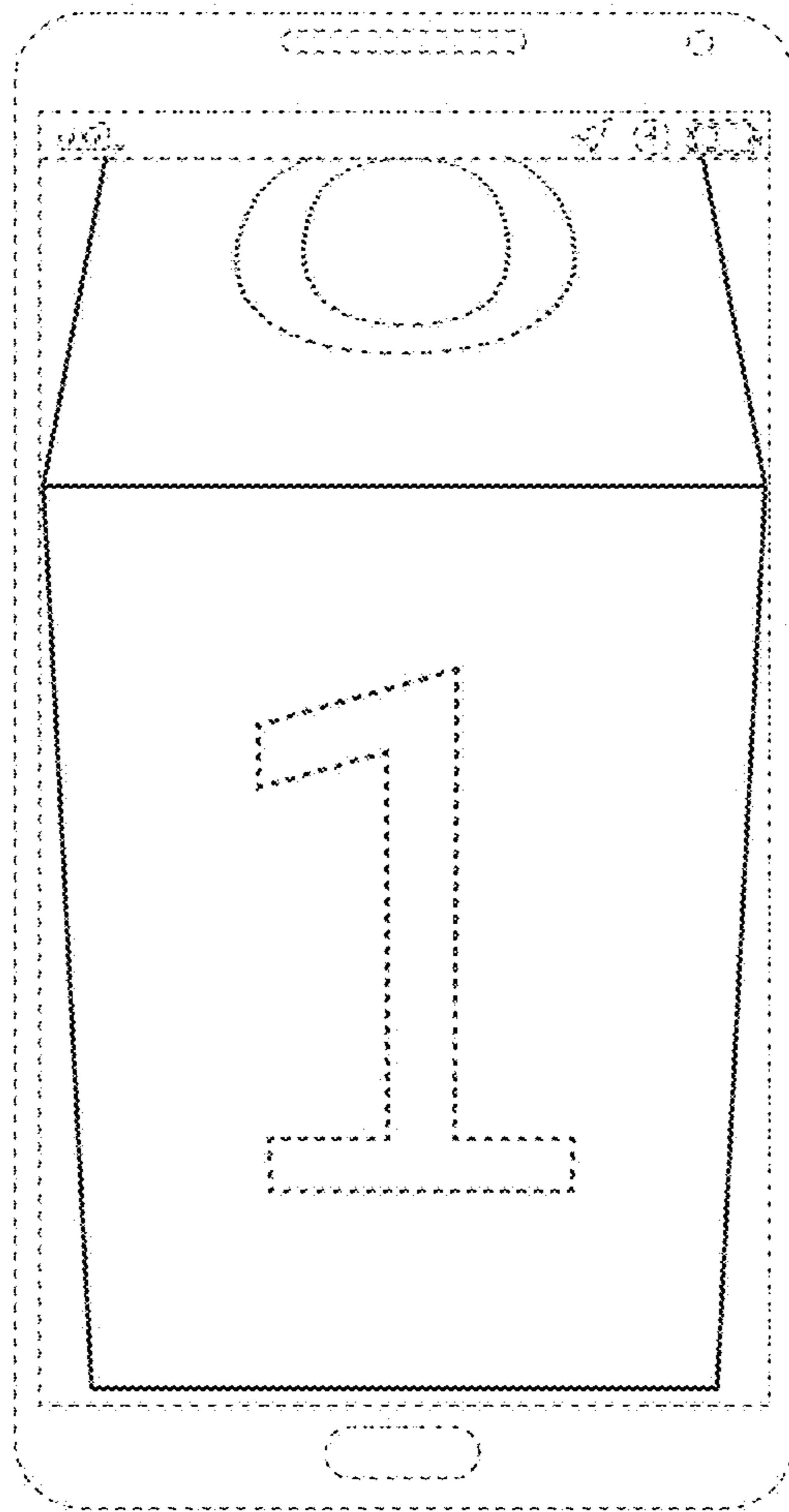


FIG. 5

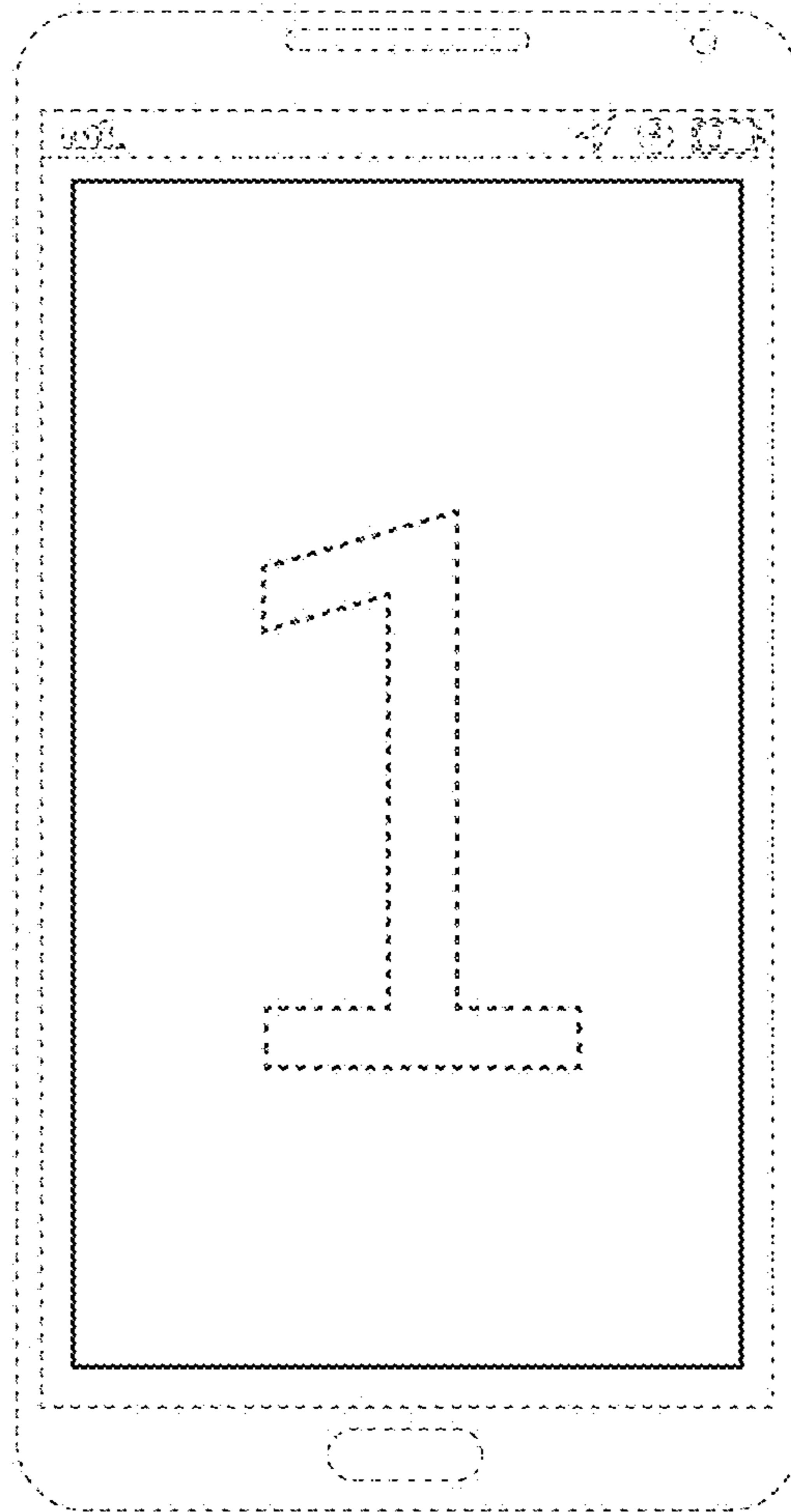


FIG. 6

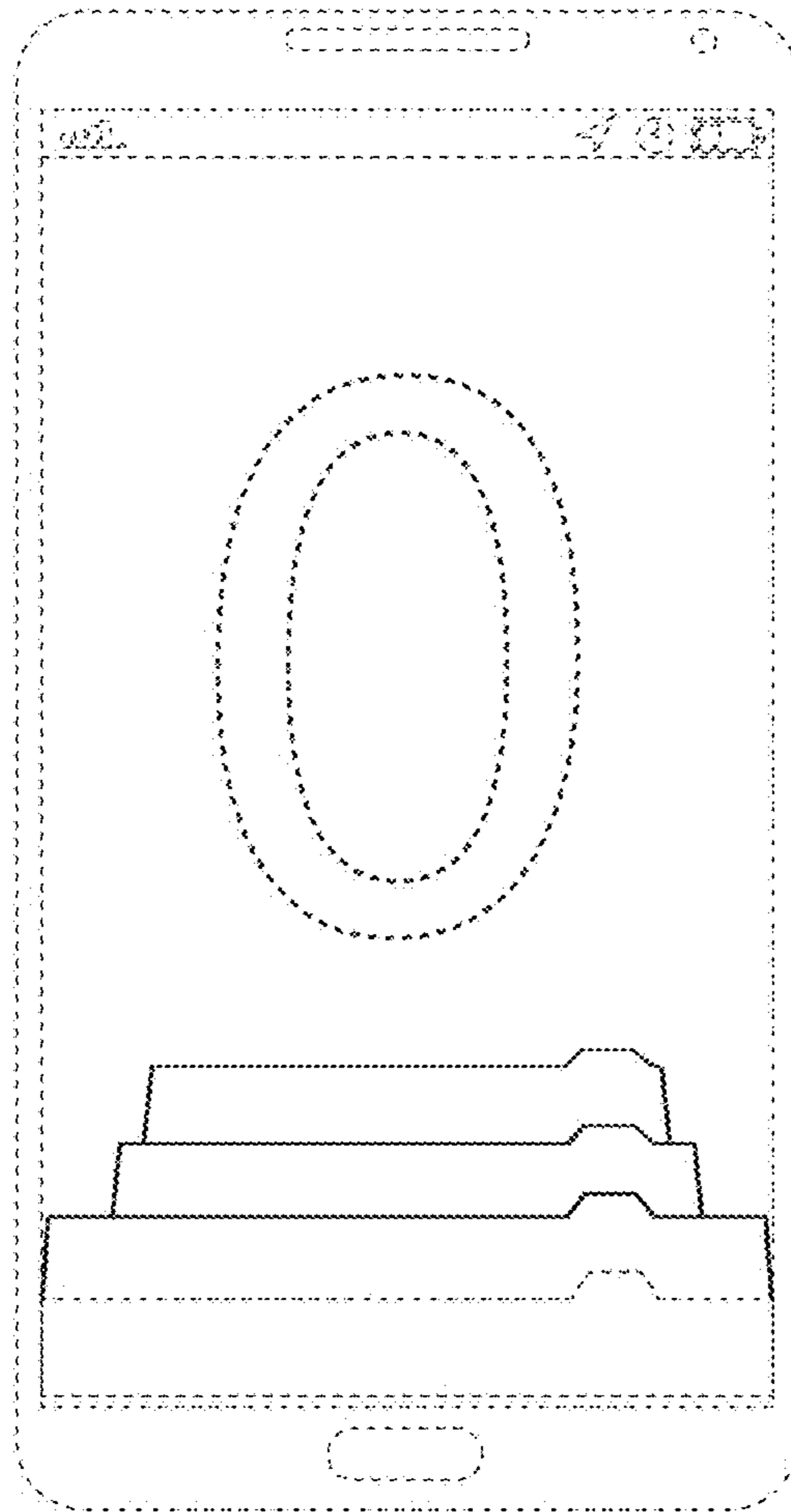


FIG. 7

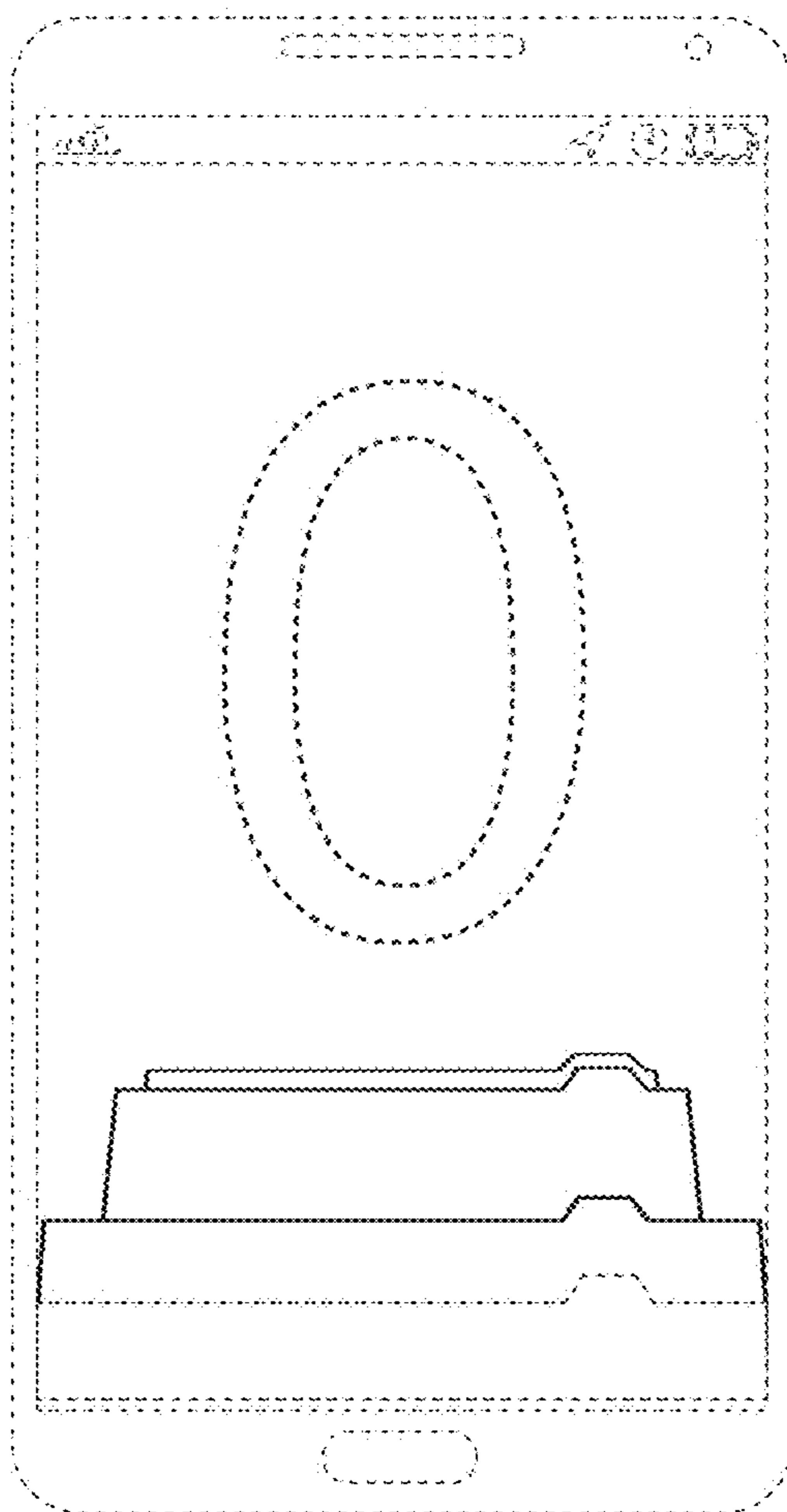


FIG. 8

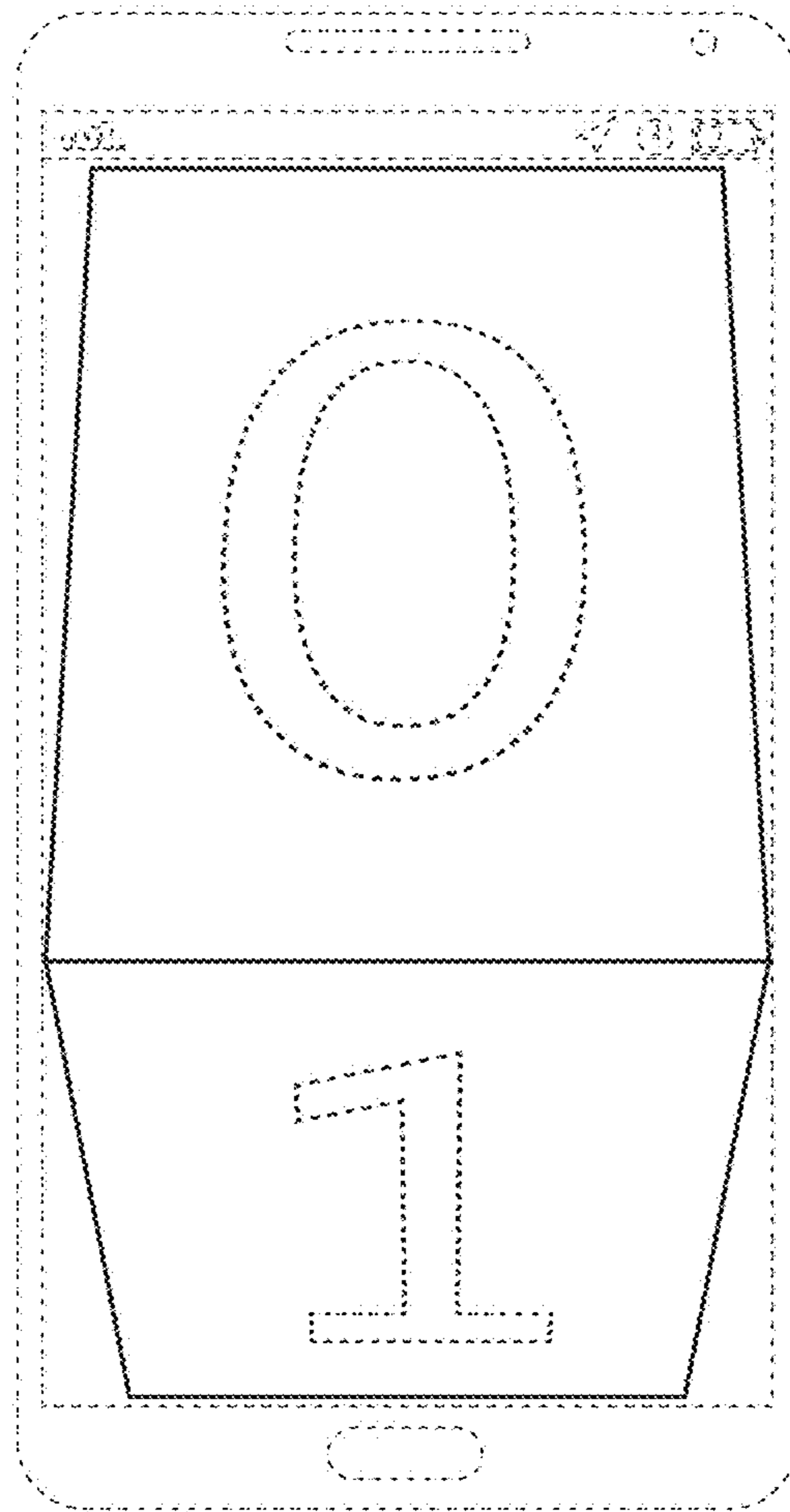


FIG. 9

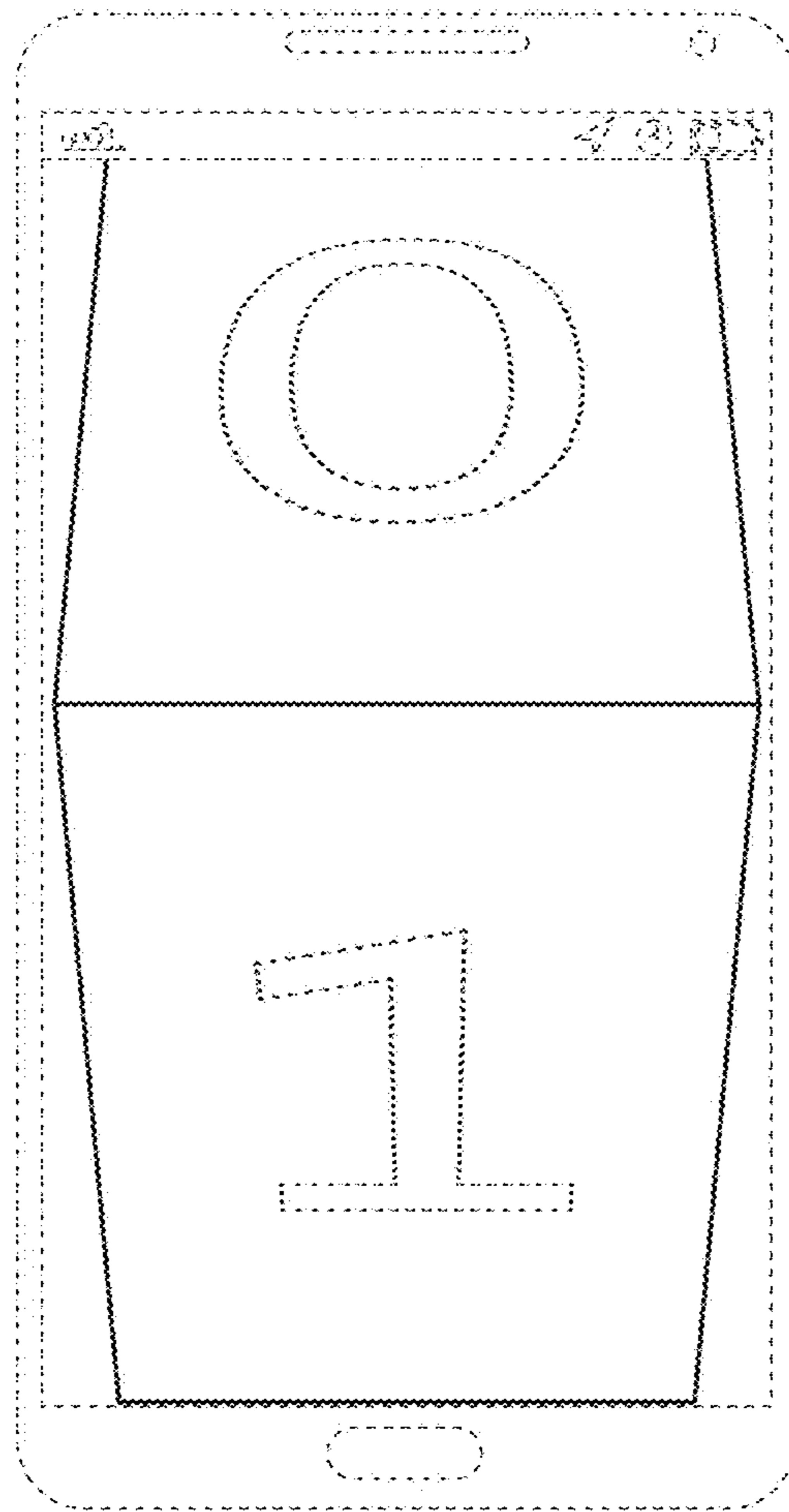


FIG. 10

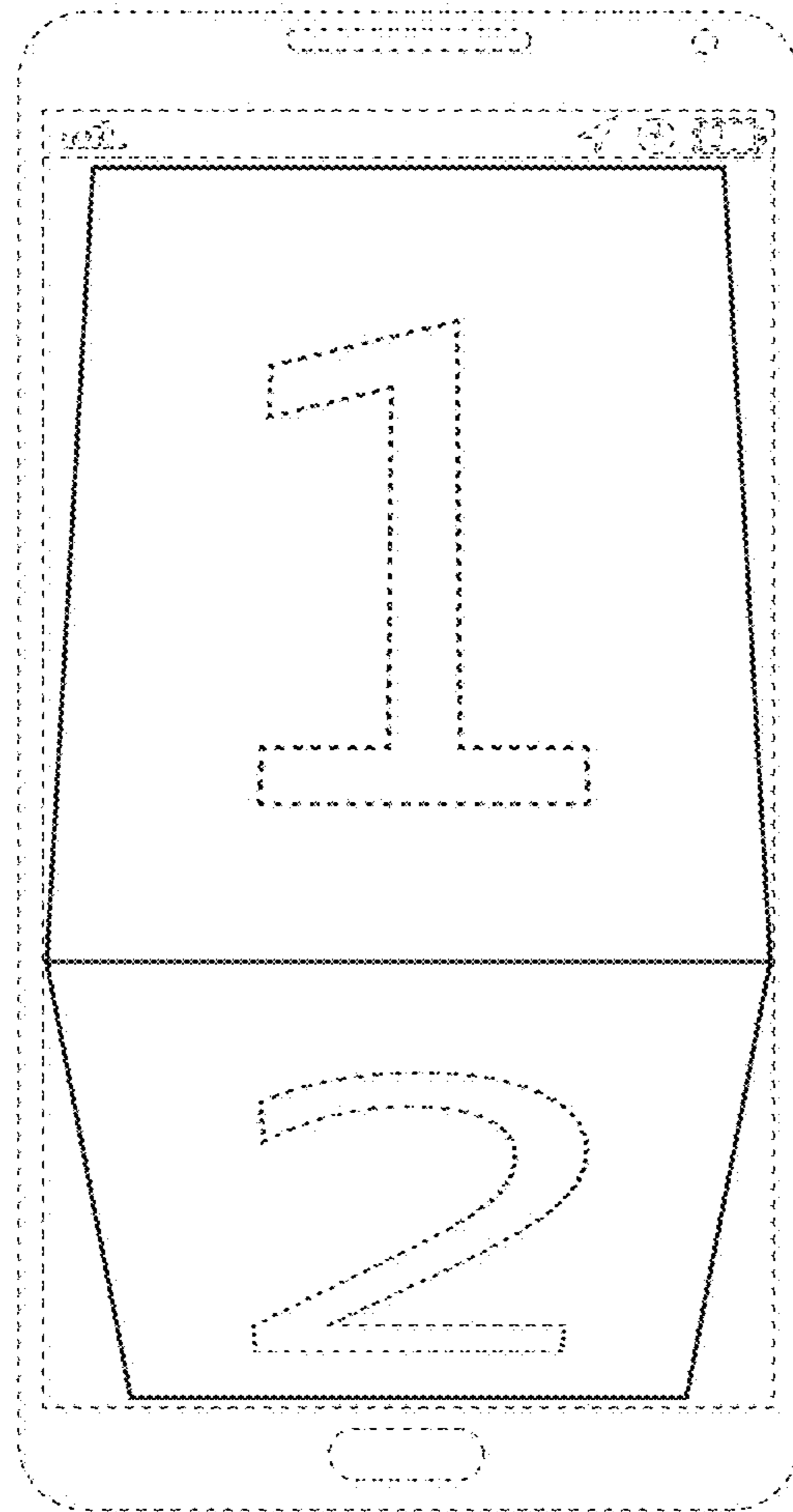


FIG. 11

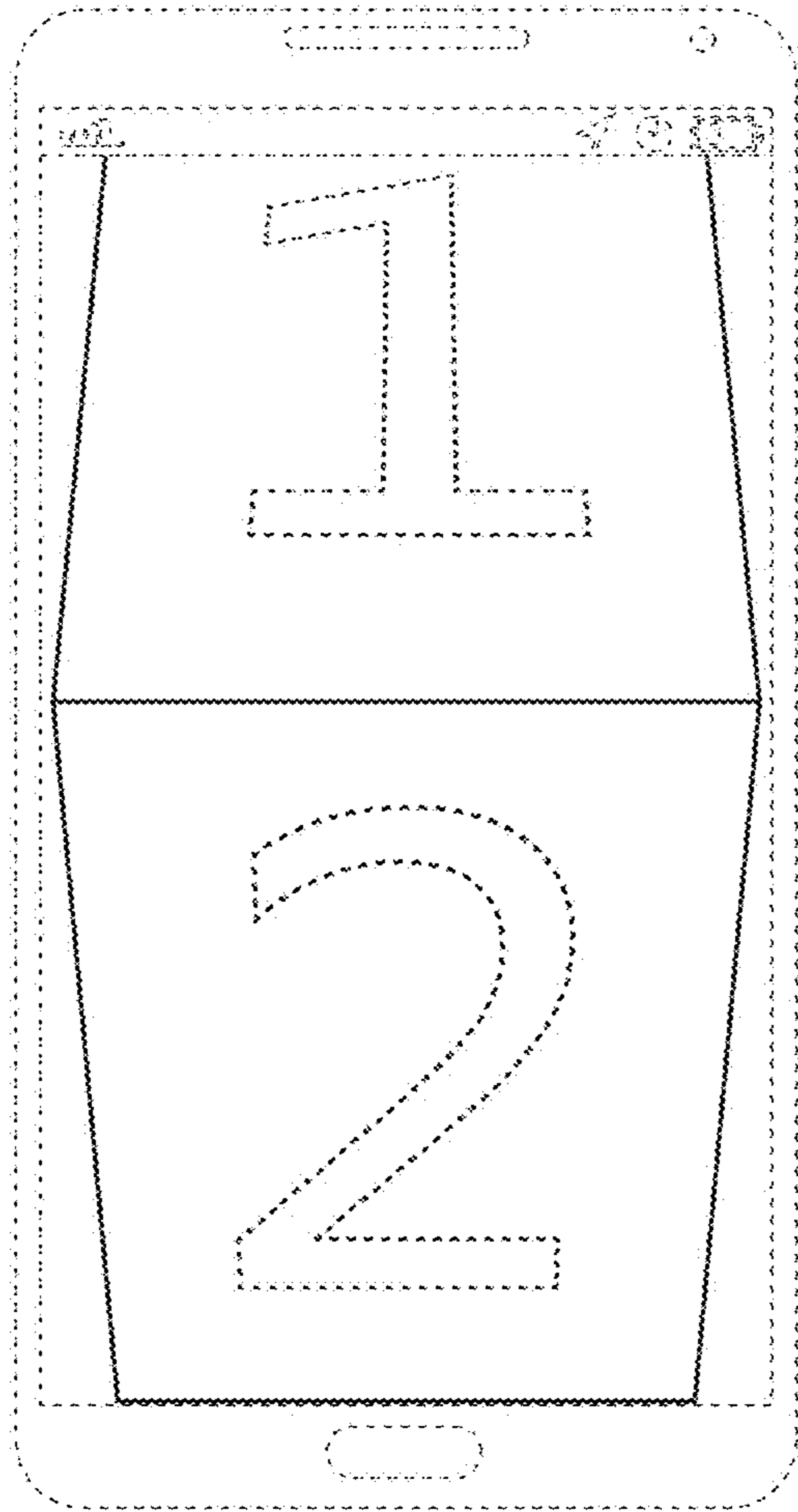


FIG. 12

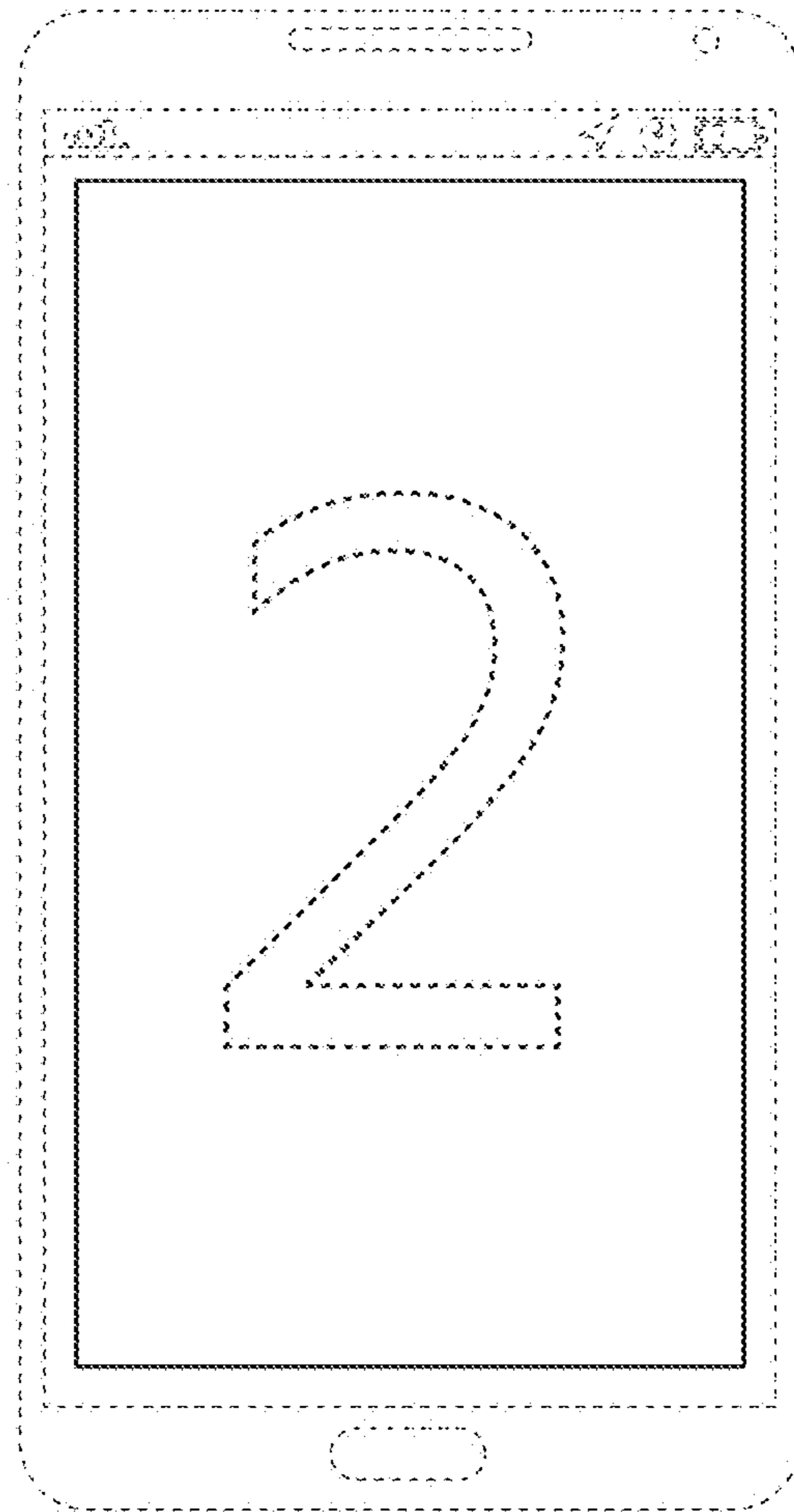


FIG. 13

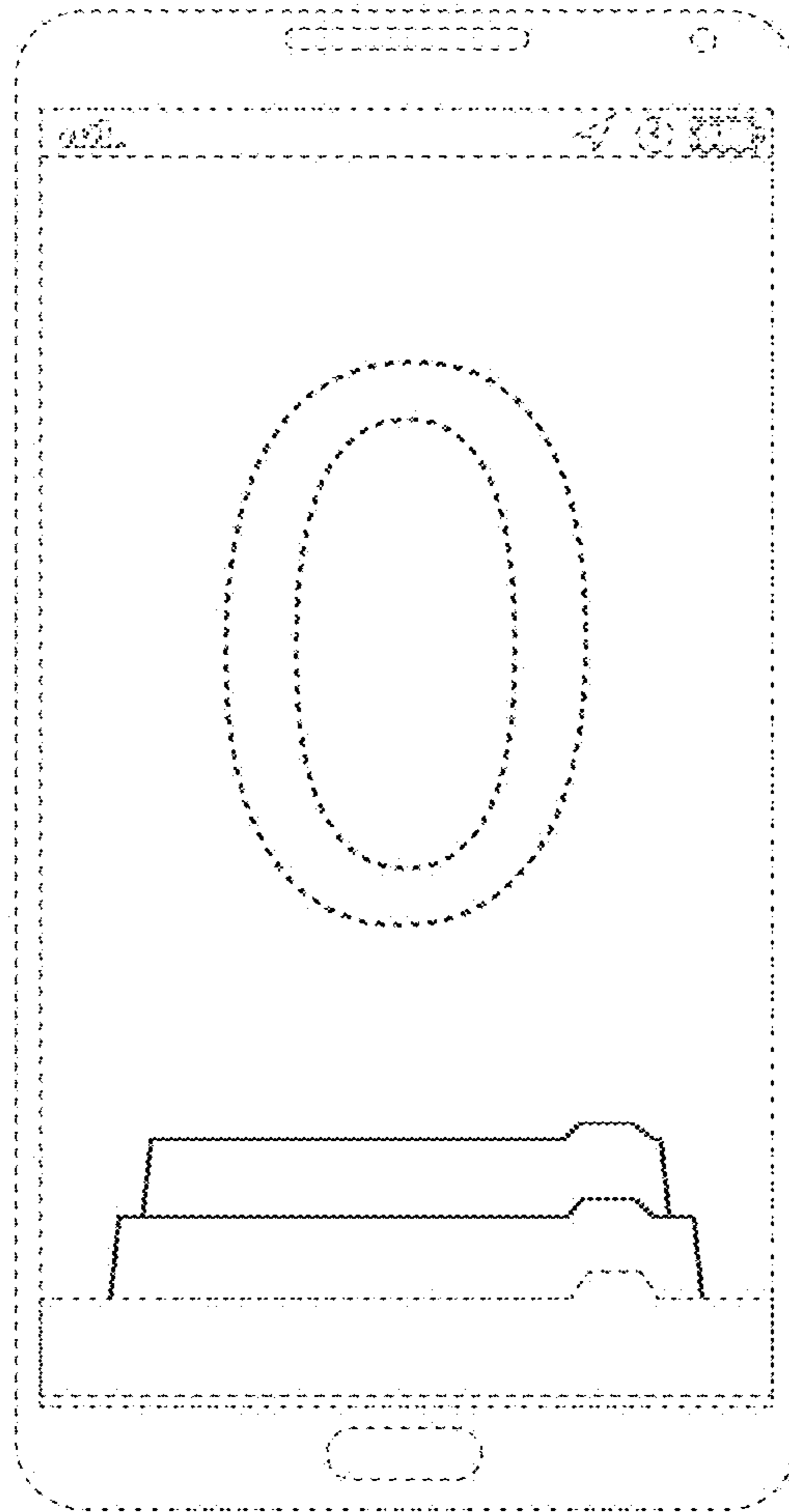


FIG. 14

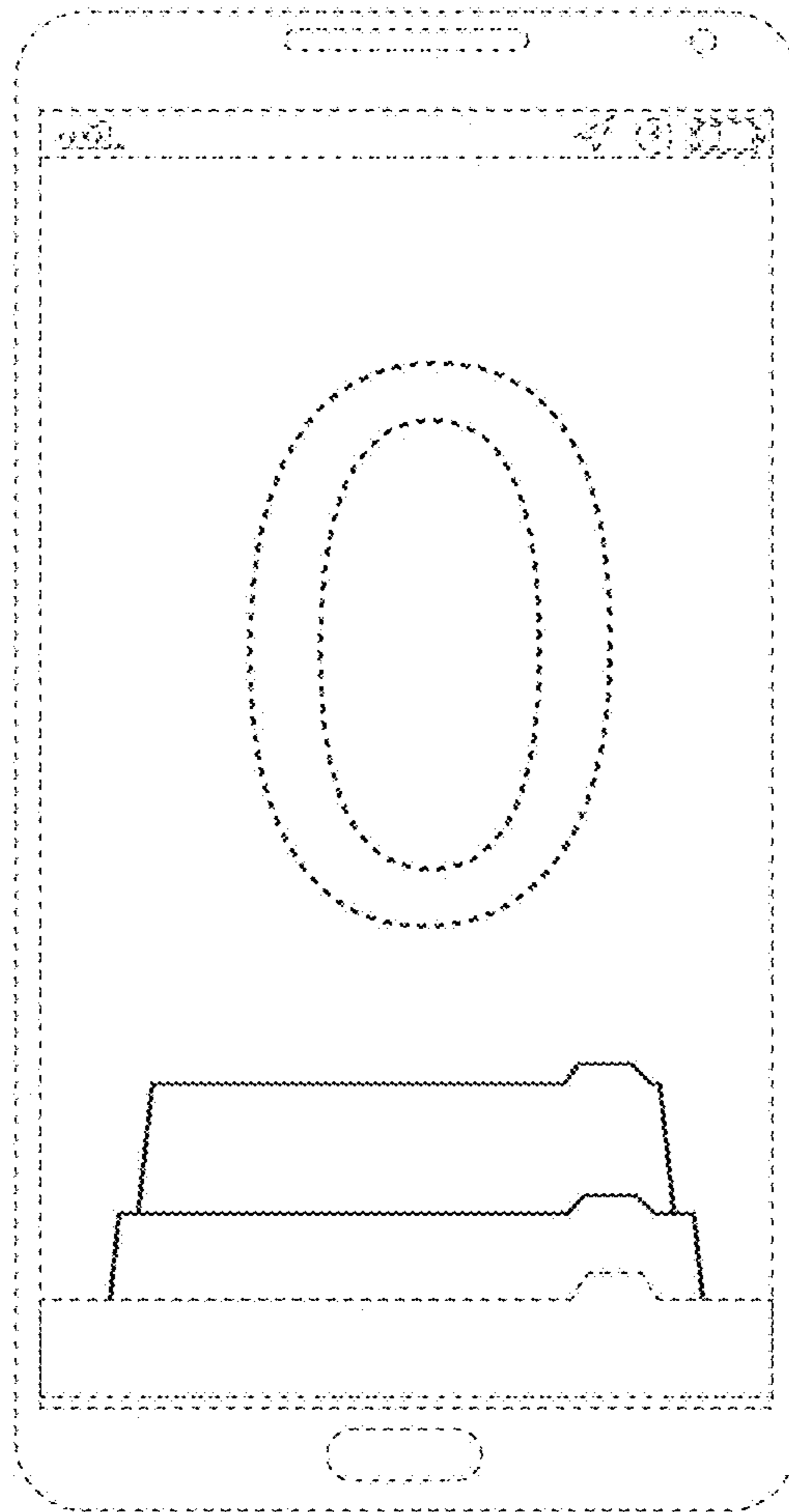


FIG. 15

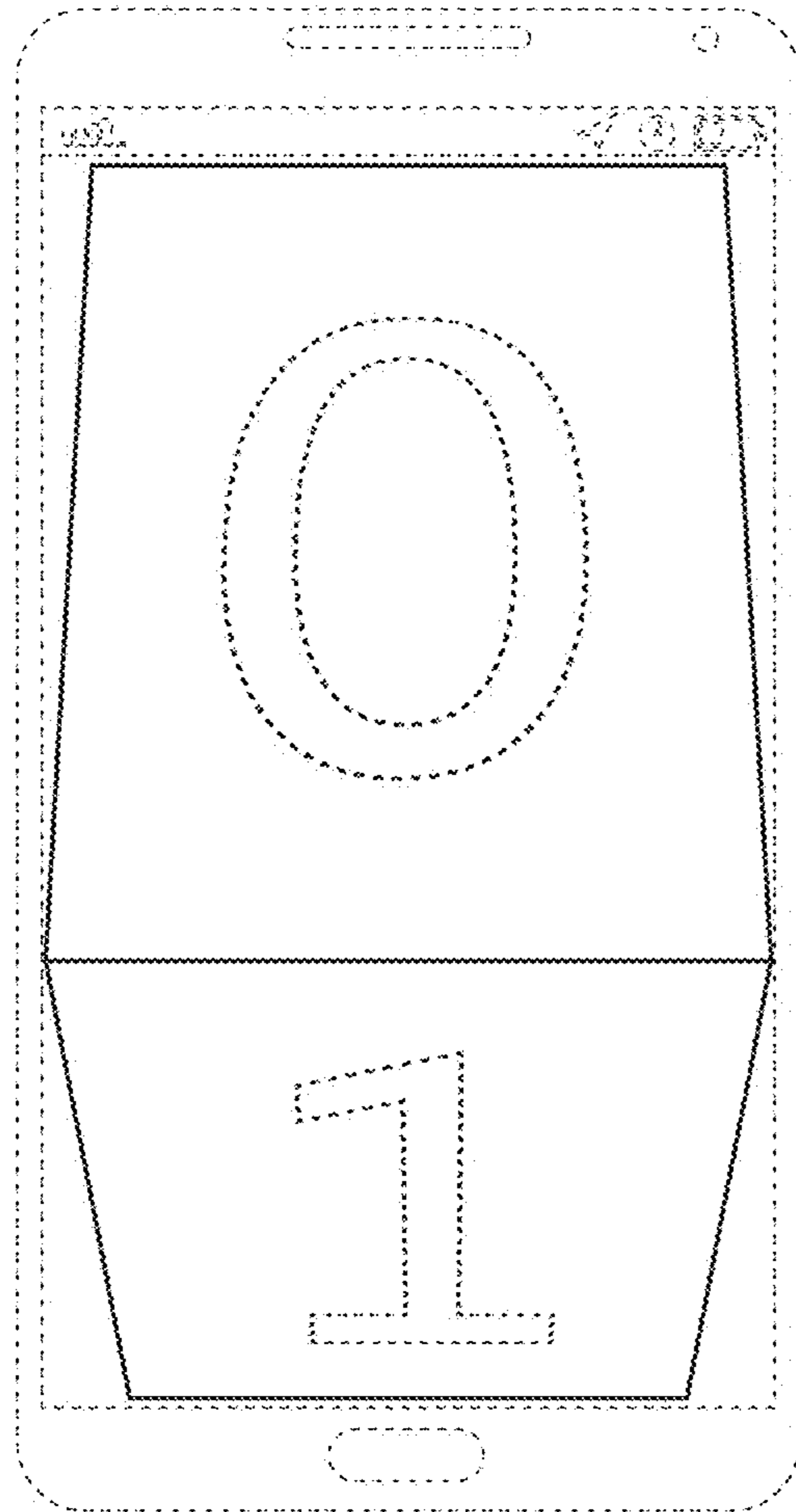


FIG. 16

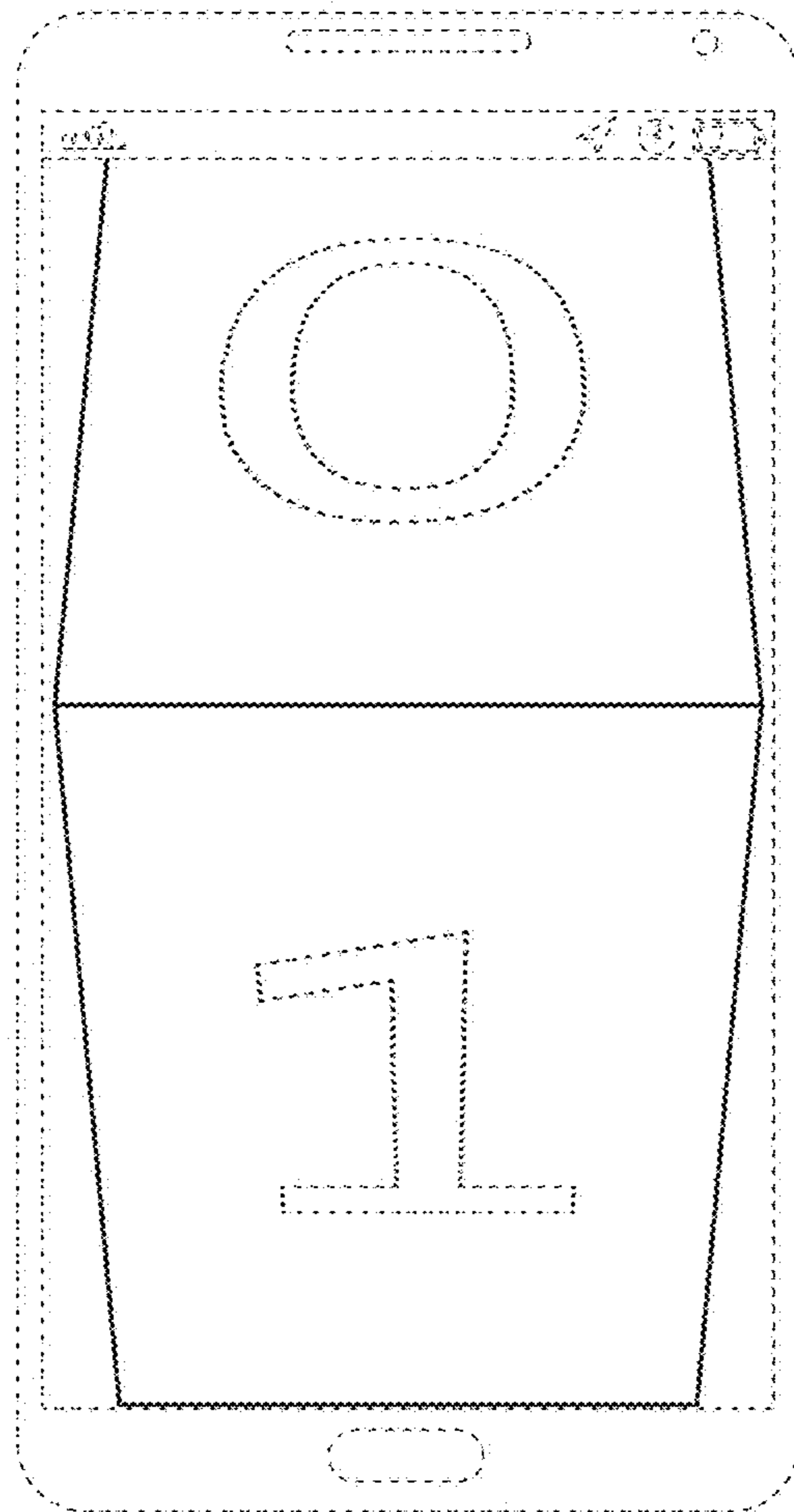


FIG. 17

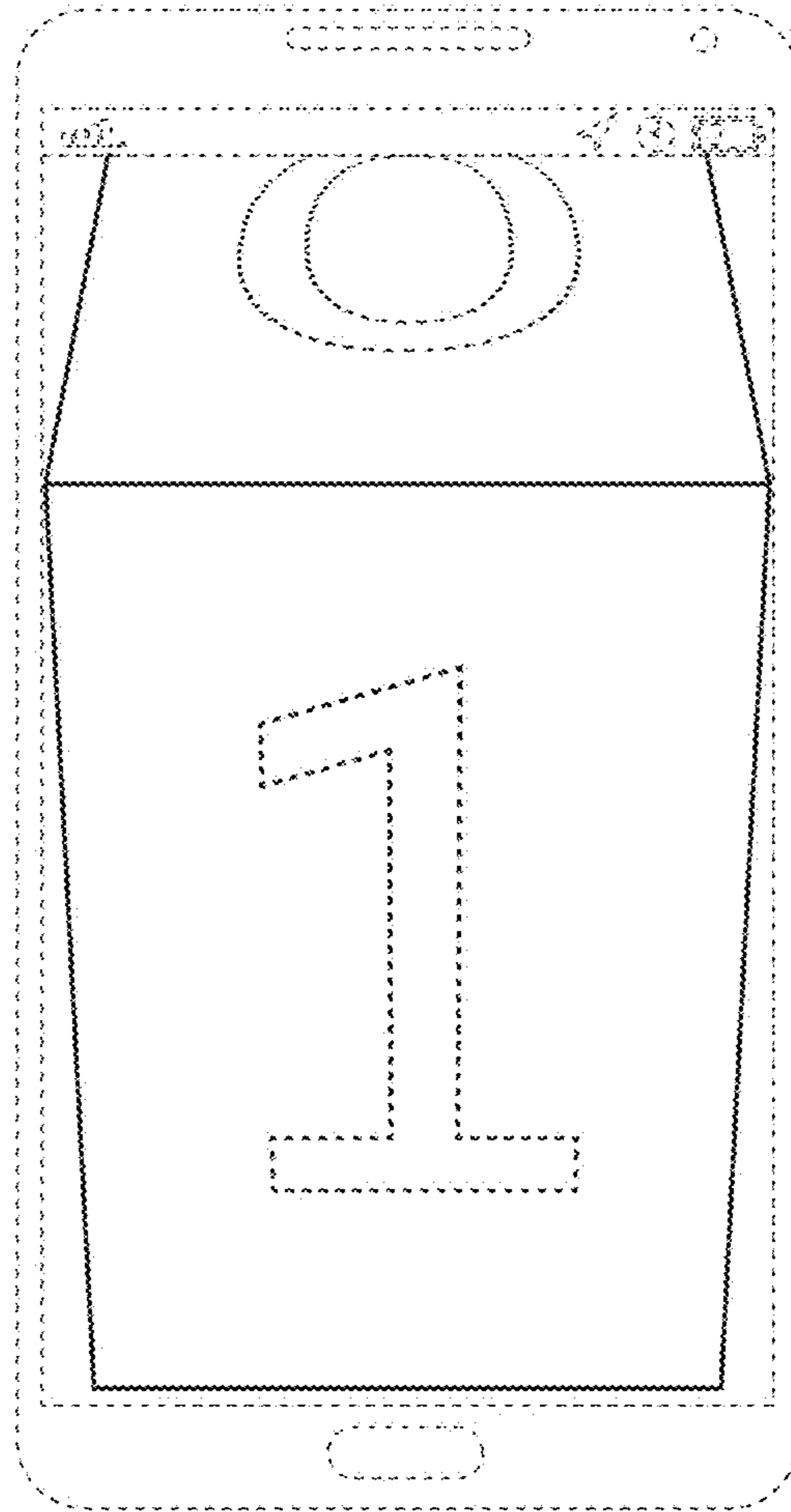


FIG. 18

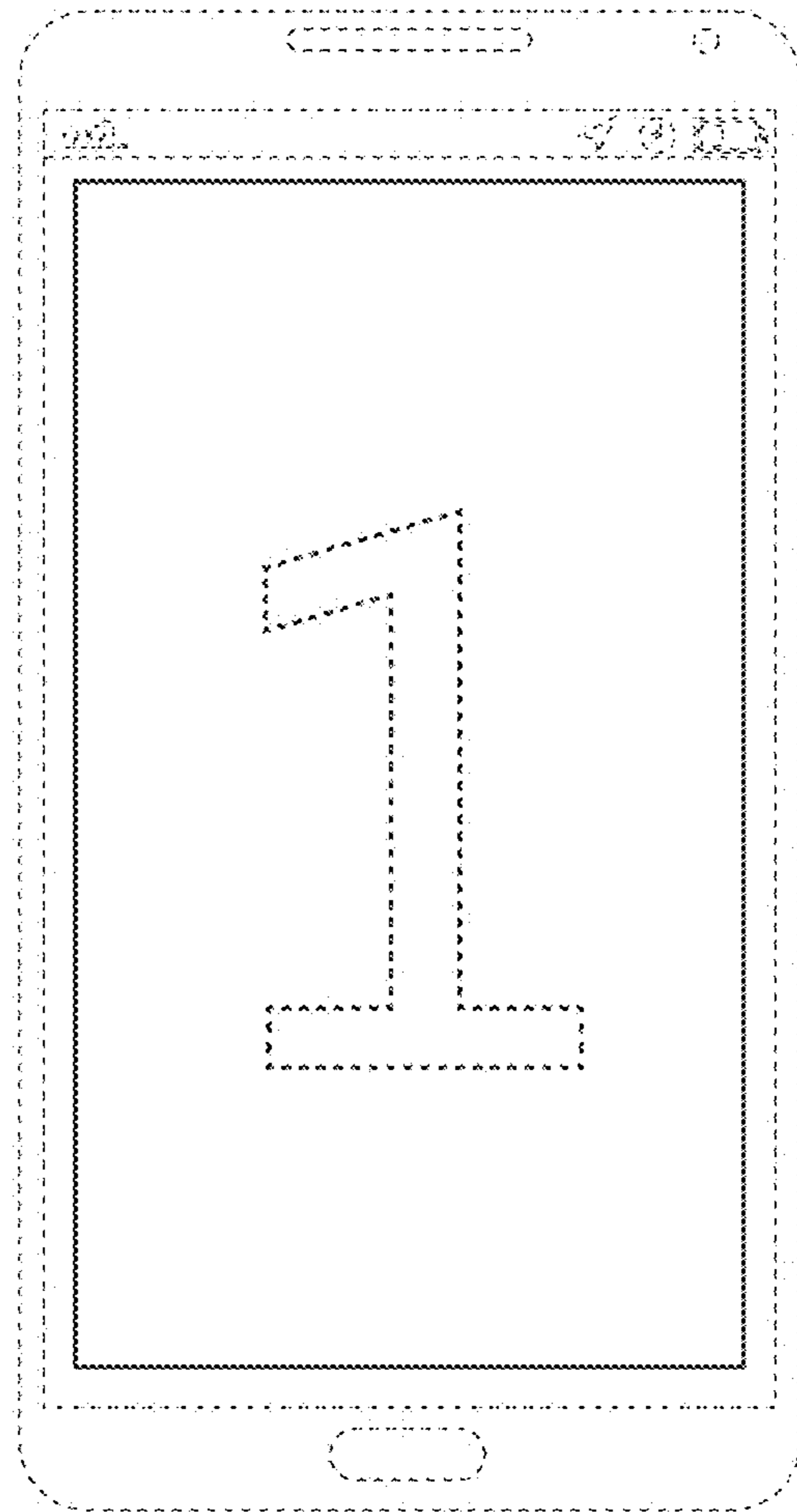


FIG. 19