



US00D774063S

(12) **United States Design Patent** (10) **Patent No.:** **US D774,063 S**  
**Liu et al.** (45) **Date of Patent:** **\*\* Dec. 13, 2016**

(54) **DISPLAY SCREEN OR PORTION THEREOF WITH ANIMATED GRAPHICAL USER INTERFACE**

(71) Applicant: **Tencent Technology (Shenzhen) Company Limited**, Guangdong (CN)

(72) Inventors: **Fen Liu**, Guangdong (CN); **Xin Xu**, Guangdong (CN); **Jianmin Lu**, Guangdong (CN)

(73) Assignee: **Tencent Technology (Shenzhen) Company Limited** (CN)

(\*\*) Term: **14 Years**

(21) Appl. No.: **29/503,886**

(22) Filed: **Sep. 30, 2014**

(51) **LOC (10) Cl.** ..... **14-04**

(52) **U.S. Cl.**  
USPC ..... **D14/486**

(58) **Field of Classification Search**  
USPC ..... D14/485–495

(Continued)

(56) **References Cited**

**U.S. PATENT DOCUMENTS**

D599,363 S \* 9/2009 Mays ..... D14/485  
D611,053 S \* 3/2010 Kanga ..... D14/485

(Continued)

**OTHER PUBLICATIONS**

Sergey Valiukh “Gif Animation of Template Gallery” Dec. 23, 2013  
<https://dribbble.com/shots/1355860GifAnimationofTemplateGallery> cited Aug. 8, 2016.\*

*Primary Examiner* — Melanie H Tung  
*Assistant Examiner* — Bao-Yen Nguyen

(74) *Attorney, Agent, or Firm* — Design IP

(57) **CLAIM**

The ornamental design for a display screen or portion thereof with animated graphical user interface, as shown and described.

**DESCRIPTION**

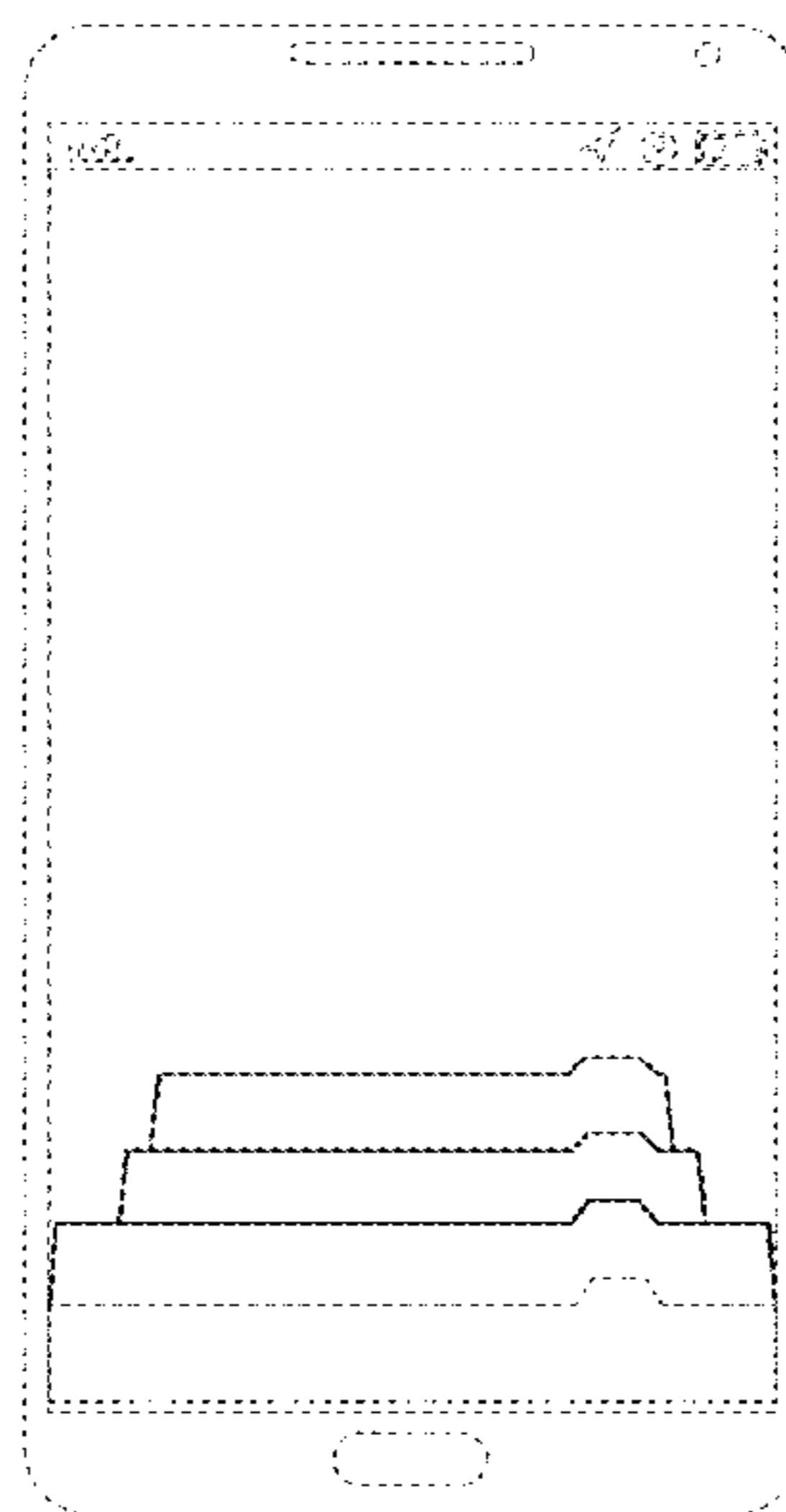
FIG. 1 is a front view of a first image of a first embodiment of a display screen or portion thereof with animated graphical user interface showing our new design; FIG. 2 is a front view of a second image thereof; FIG. 3 is a front view of a first image of a second embodiment of a display screen or portion thereof with animated graphical user interface showing our new design; FIG. 4 is a front view of a second image thereof; FIG. 5 is a front view of a first image of a third embodiment of a display screen or portion thereof with animated graphical user interface showing our new design; and, FIG. 6 is a front view of a second image thereof.

In the first embodiment, the appearance of the transitional image sequentially transitions between the images shown in FIGS. 1 through 2. In the second embodiment, the appearance of the transitional image sequentially transitions between the images shown in FIGS. 3 through 4. In the third embodiment, the appearance of the transitional image sequentially transitions between the images shown in FIGS. 5 through 6. The process or period in which one image transitions to another image forms no part of the claimed design.

The broken line showing a portion of a display screen and a mobile device in FIGS. 1 through 6 forms no part of the claimed design.

The broken line showing portions of the graphical user interface in FIGS. 1 through 6 represents environmental subject matter and forms no part of the claimed design.

**1 Claim, 6 Drawing Sheets**



(58) **Field of Classification Search**  
 CPC .... G06F 3/048; G06F 3/0481; G06F 3/04812;  
 G06F 3/04815; G06F 3/04817; G06F  
 3/0482; G06F 3/0483; G06F 3/0484;  
 G06F 3/04842; G06F 3/04845; G06F  
 3/04847; G06F 3/0485; G06F  
 3/04855; G06F 3/0486; G06F  
 3/0487; G06F 3/0488; G06F  
 3/04883; G06F 3/04886

See application file for complete search history.

(56) **References Cited**

U.S. PATENT DOCUMENTS

D624,927 S \* 10/2010 Allen ..... D14/486  
 D648,343 S \* 11/2011 Chen ..... D14/486  
 D648,735 S \* 11/2011 Arnold ..... D14/486  
 D651,609 S \* 1/2012 Pearson ..... D14/486

D658,201 S \* 4/2012 Gleasman ..... D14/486  
 D658,677 S \* 5/2012 Gleasman ..... D14/488  
 D658,678 S \* 5/2012 Gleasman ..... D14/488  
 D673,172 S \* 12/2012 Peters ..... D14/487  
 D695,755 S \* 12/2013 Hwang ..... D14/485  
 D699,739 S \* 2/2014 Voreis ..... D14/486  
 D699,744 S \* 2/2014 Ho Kushner ..... D14/488  
 D701,228 S \* 3/2014 Lee ..... D14/486  
 D701,527 S \* 3/2014 Brinda ..... D14/488  
 D701,528 S \* 3/2014 Brinda ..... D14/488  
 D704,726 S \* 5/2014 Maxwell ..... D14/486  
 D705,244 S \* 5/2014 Arnold ..... D14/486  
 D705,251 S \* 5/2014 Pearson ..... D14/488  
 D705,802 S \* 5/2014 Kerr ..... D14/488  
 D706,802 S \* 6/2014 Myung ..... D14/486  
 D714,821 S \* 10/2014 Chand ..... D14/487  
 D716,338 S \* 10/2014 Lee ..... D14/488  
 2011/0107223 A1 \* 5/2011 Tilton ..... G06Q 10/10  
 715/730

\* cited by examiner

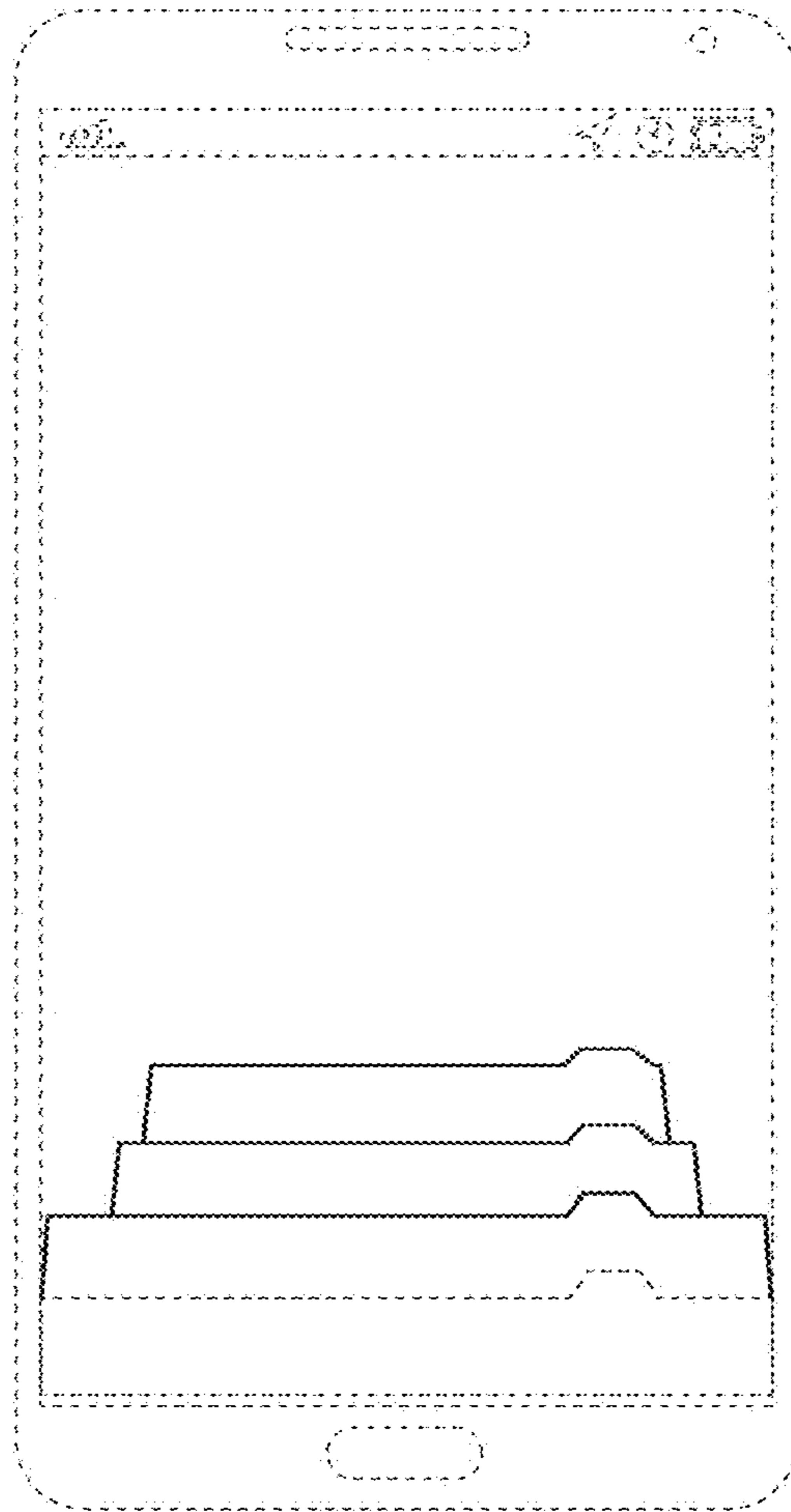


FIG. 1

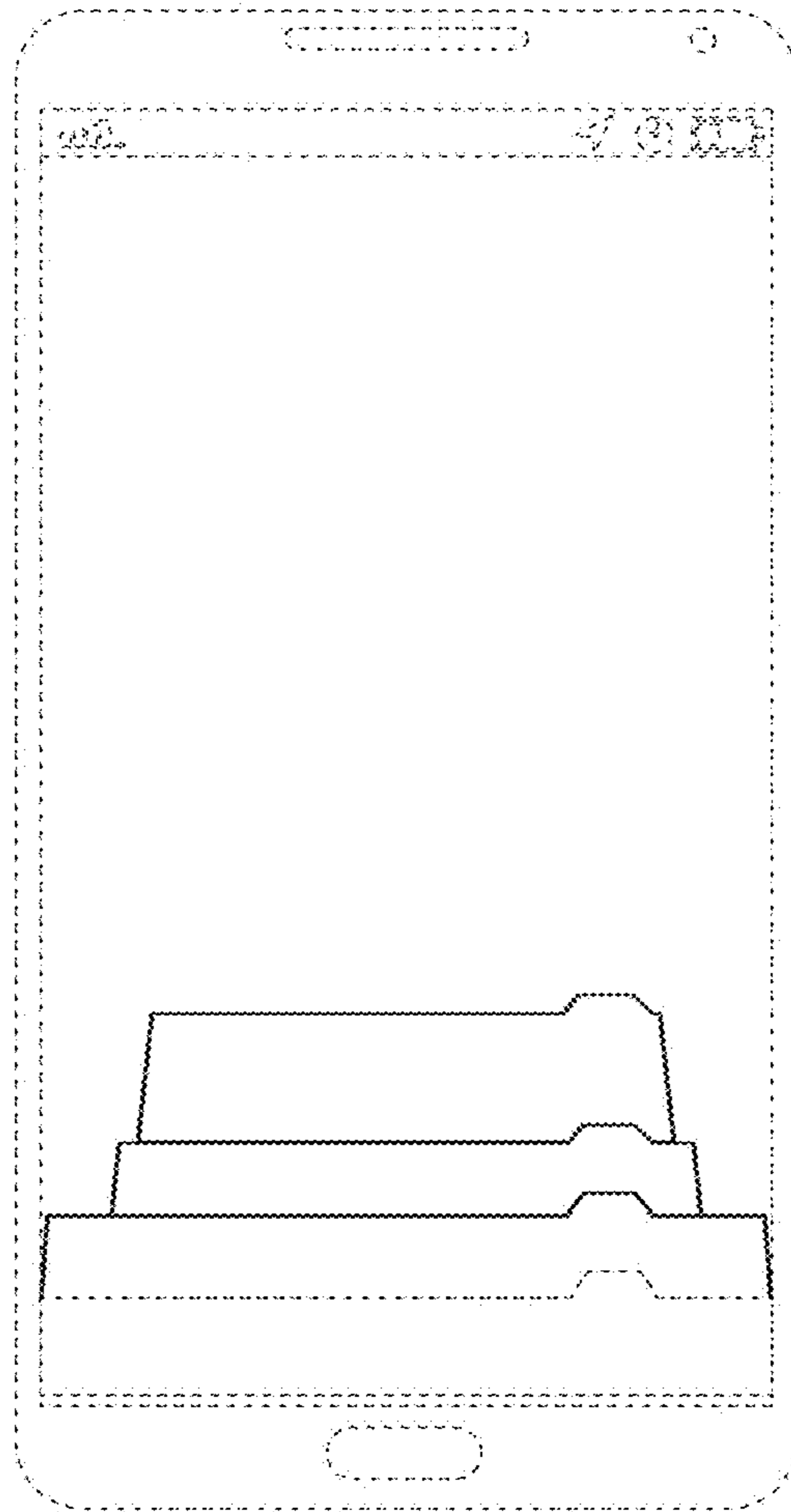


FIG. 2

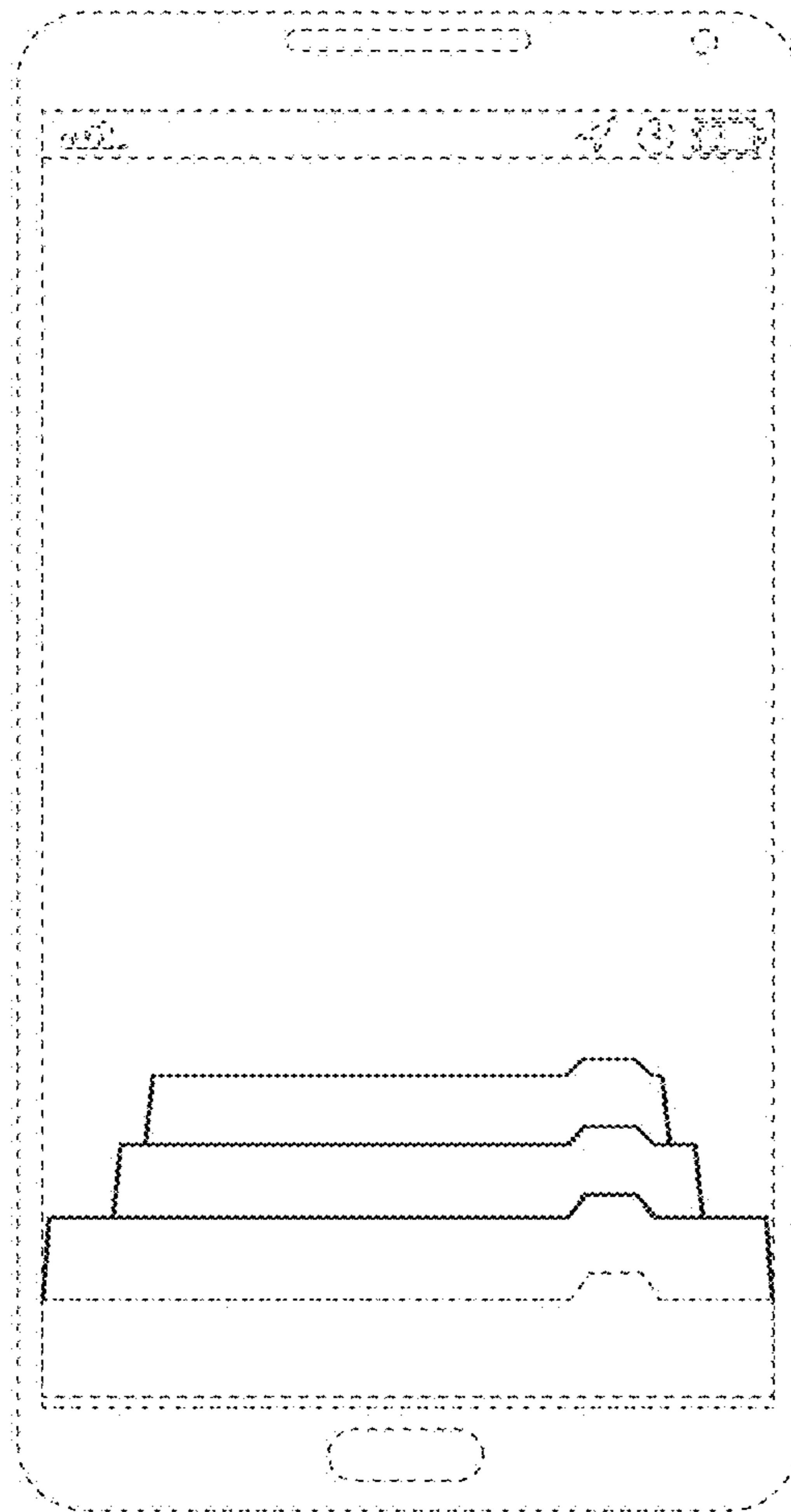


FIG. 3

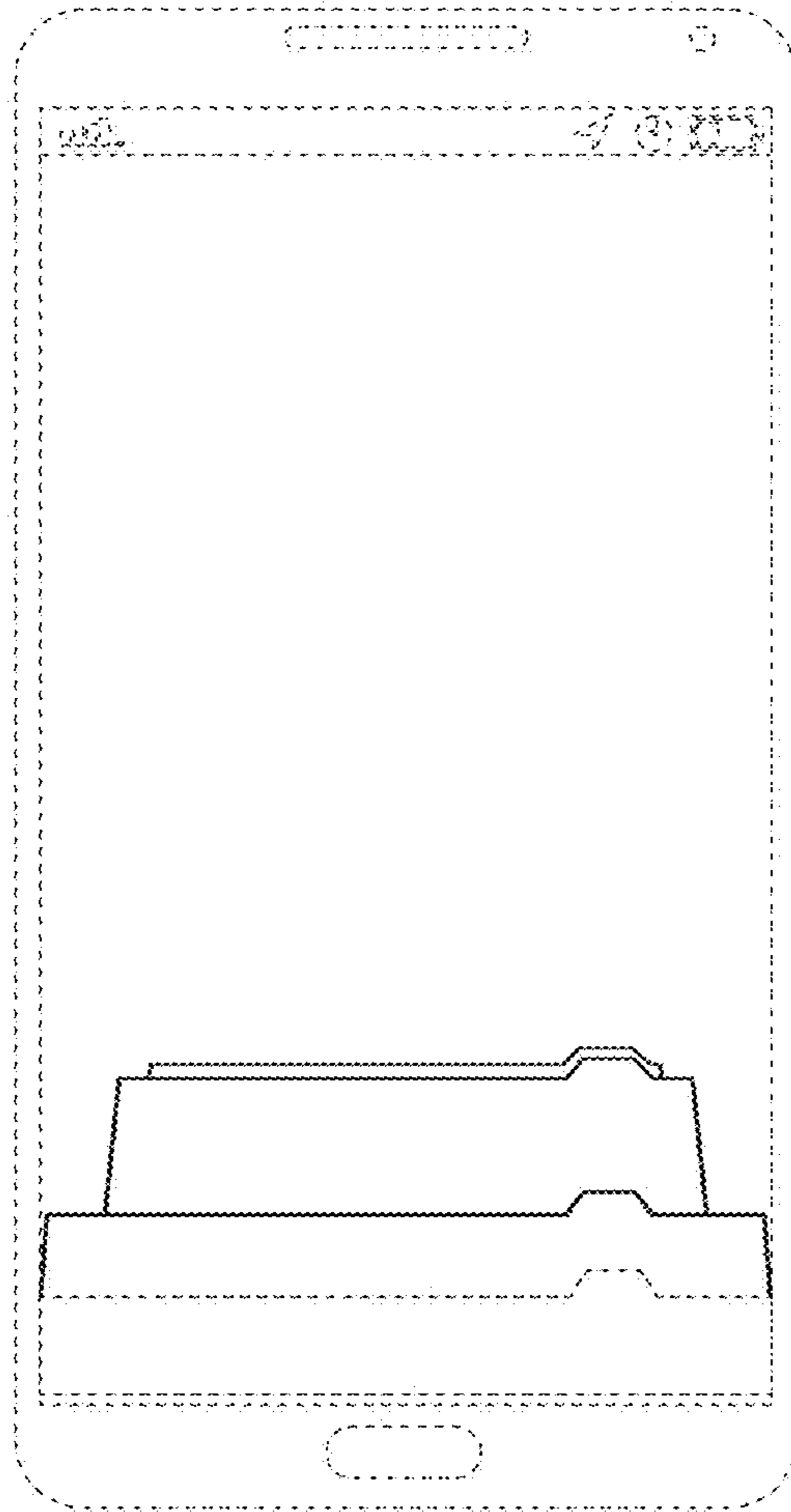


FIG. 4

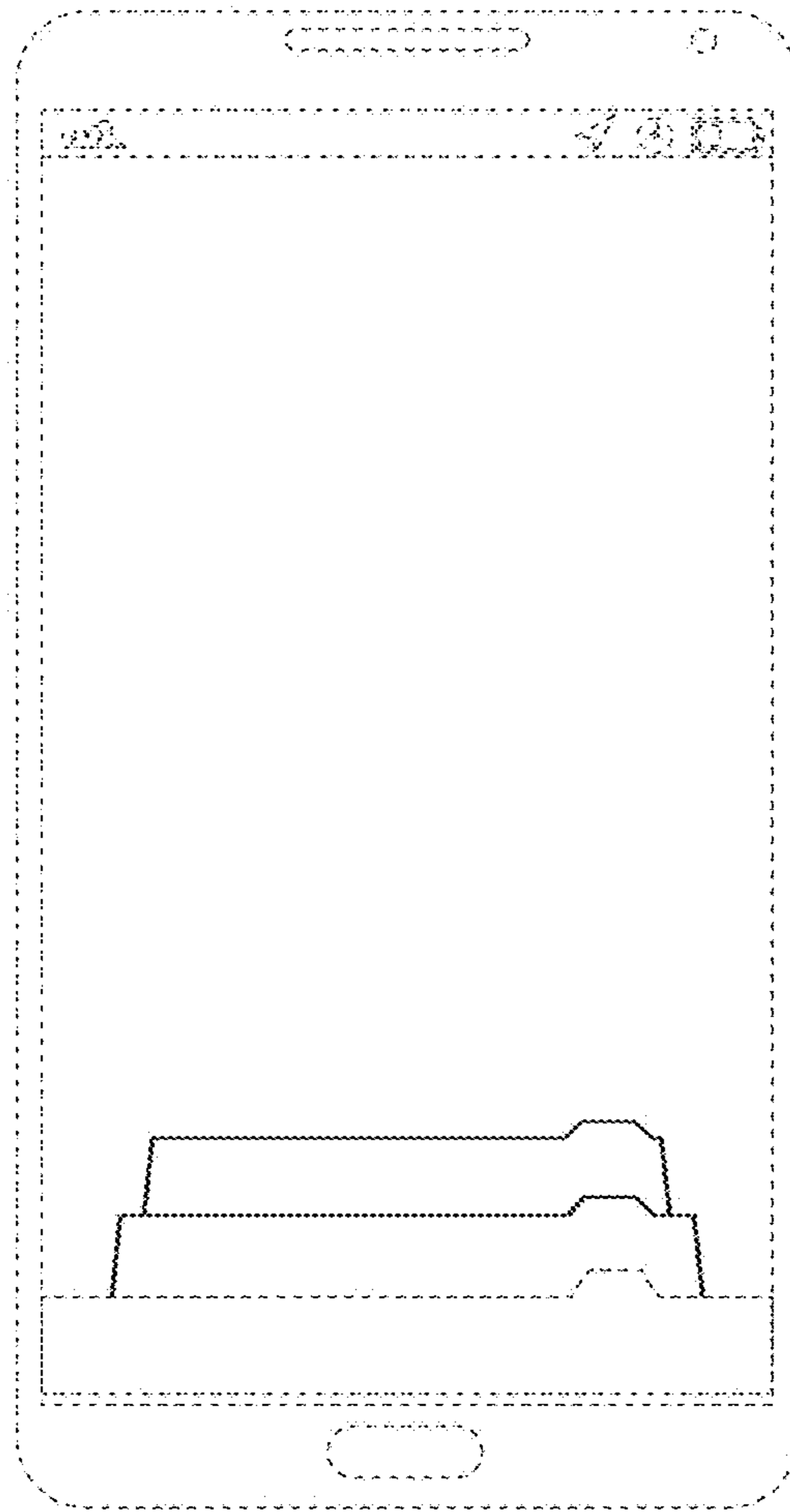


FIG. 5

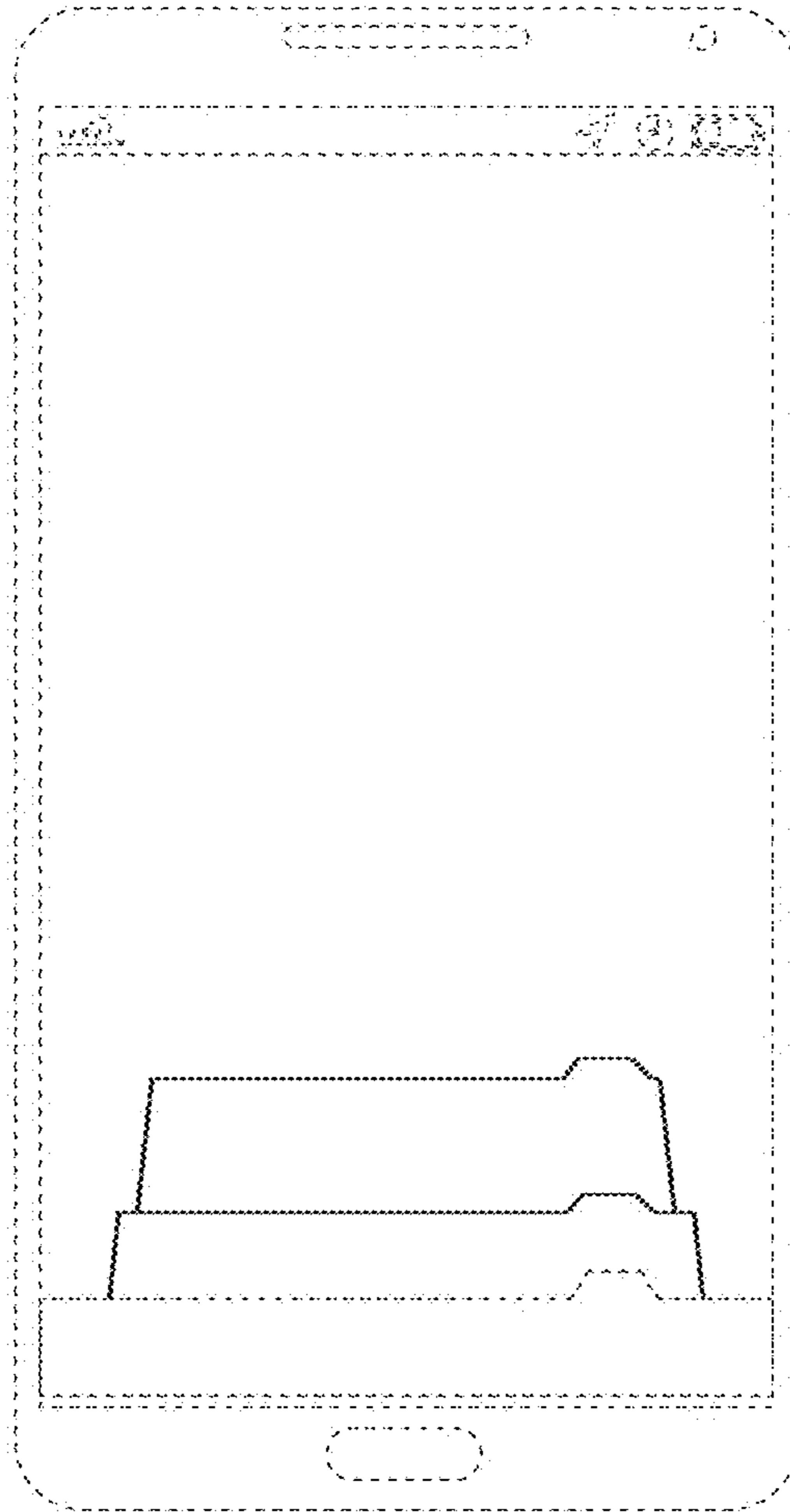


FIG. 6