



US00D774038S

(12) **United States Design Patent**  
**Emami et al.**

(10) **Patent No.:** **US D774,038 S**

(45) **Date of Patent:** **\*\* Dec. 13, 2016**

(54) **DATA ACCESSING DEVICE**

(71) Applicant: **KINGSTON DIGITAL, INC.**,  
Fountain Valley, CA (US)

(72) Inventors: **Arman Emami**, Fountain Valley, CA  
(US); **Guan-Hua Tzeng**, Hsinchu  
(TW); **Yu-kuo Huang**, Hsinchu (TW);  
**Peter Leekuo Chou**, Fountain Valley,  
CA (US)

(73) Assignee: **Kingston Digital, Inc.**, Fountain Valley,  
CA (US)

(\*\*) Term: **15 Years**

(21) Appl. No.: **29/539,494**

(22) Filed: **Sep. 15, 2015**

(51) **LOC (10) Cl.** ..... **14-03**

(52) **U.S. Cl.**  
USPC ..... **D14/480.1**

(58) **Field of Classification Search**  
USPC ..... D14/435.1, 480.1–480.7, 411, 433, 436,  
D14/484.1, 137, 155, 203.1–203.8, 240,  
D14/242; D13/133, 154  
CPC ..... H05K 5/0278; G06K 19/07732  
See application file for complete search history.

(56) **References Cited**

**U.S. PATENT DOCUMENTS**

D601,093 S \* 9/2009 Wu ..... D13/147  
D638,430 S \* 5/2011 Lee ..... D13/133

D670,297 S \* 11/2012 Huang ..... D14/480.5  
D673,164 S \* 12/2012 Lin ..... D14/480.5  
D677,672 S \* 3/2013 Lin ..... D14/480.7  
D687,443 S \* 8/2013 Chen ..... D14/480.5  
D705,679 S \* 5/2014 Palatas ..... D10/70  
D711,391 S \* 8/2014 Lee ..... D14/480.7  
D736,150 S \* 8/2015 Liu ..... D13/108  
D739,354 S \* 9/2015 Nook ..... D13/133  
2009/0185355 A1 \* 7/2009 Zhu ..... H05K 5/0278  
361/755

\* cited by examiner

*Primary Examiner* — Angela J Lee

(74) *Attorney, Agent, or Firm* — Skaar Ulbrich Macari,  
P.A.

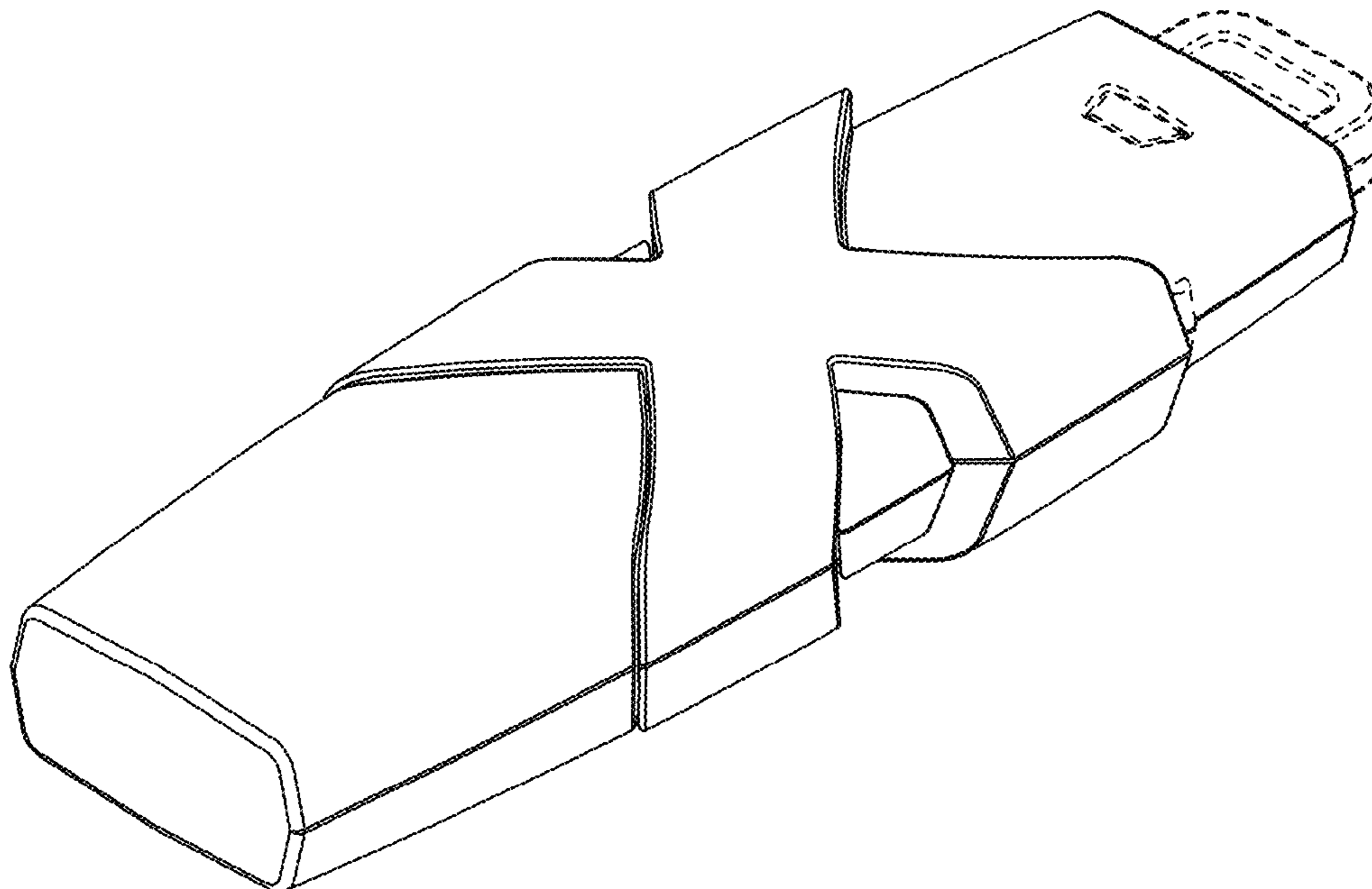
(57) **CLAIM**

We claim the ornamental design for a data accessing device,  
as shown and described.

**DESCRIPTION**

FIG. 1 is a perspective view of a data accessing device  
showing the claimed design;  
FIG. 2 is a front elevational view of FIG. 1;  
FIG. 3 is a rear elevational view of FIG. 1;  
FIG. 4 is a left side elevational view of FIG. 1;  
FIG. 5 is a right side elevational view of FIG. 1;  
FIG. 6 is a top plan view of FIG. 1;  
FIG. 7 is a bottom plan view of FIG. 1; and,  
FIG. 8 is a reference perspective view showing the data  
accessing device of the claimed design in a usage state.  
The broken lines are directed to environment and are pro-  
vided for illustrative purpose only; the broken lines form no  
part of the claimed design.

**1 Claim, 5 Drawing Sheets**



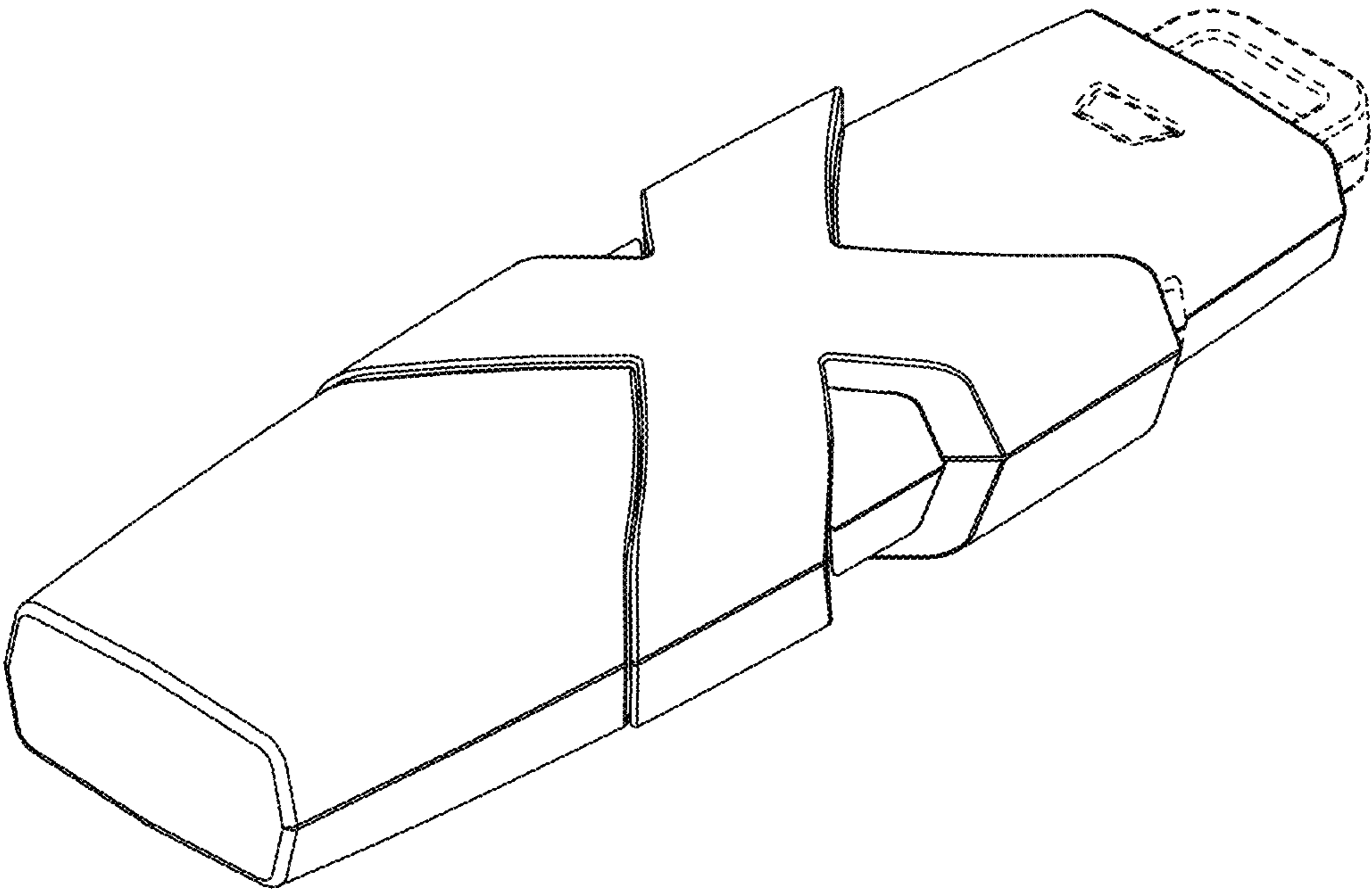


FIG.1

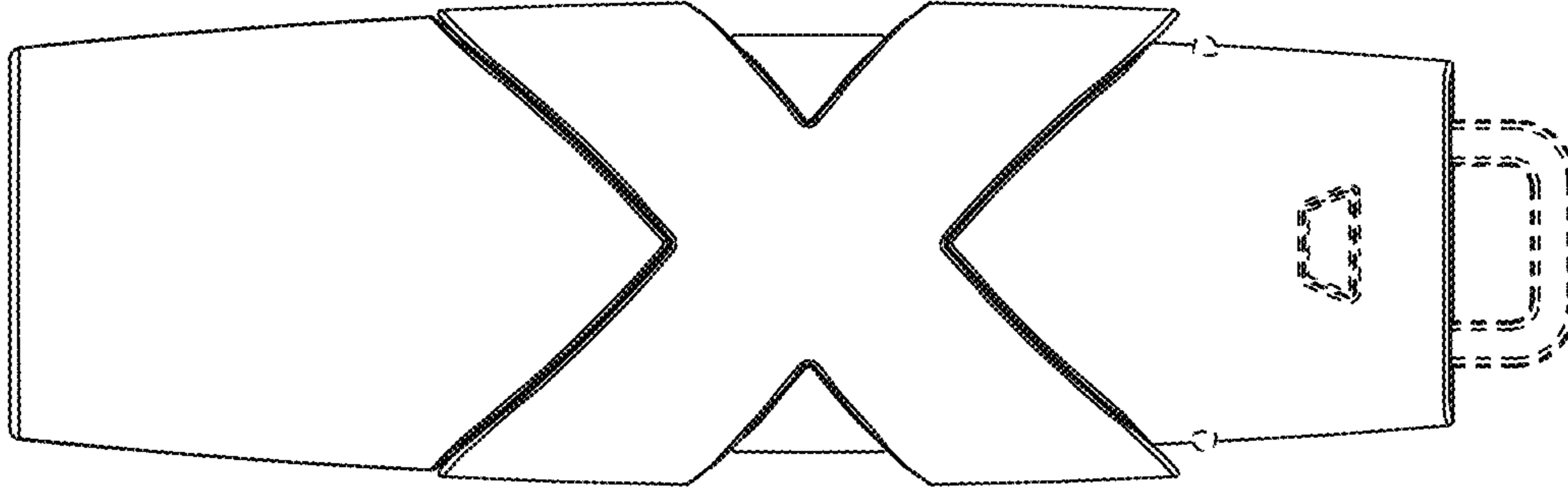


FIG. 2

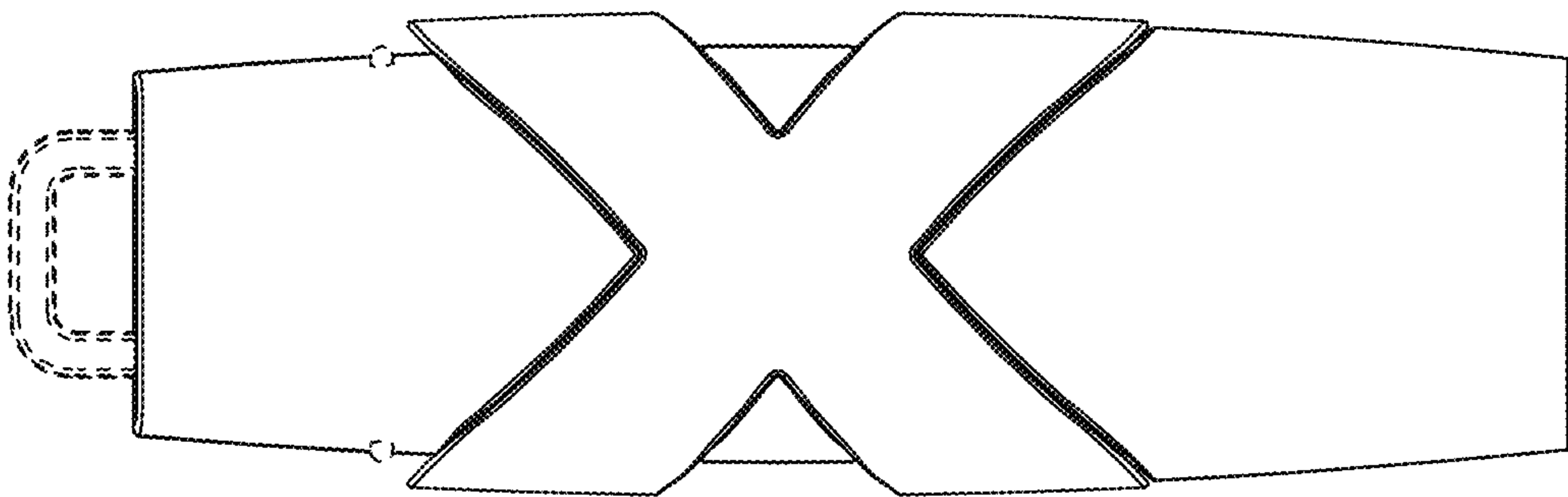


FIG. 3

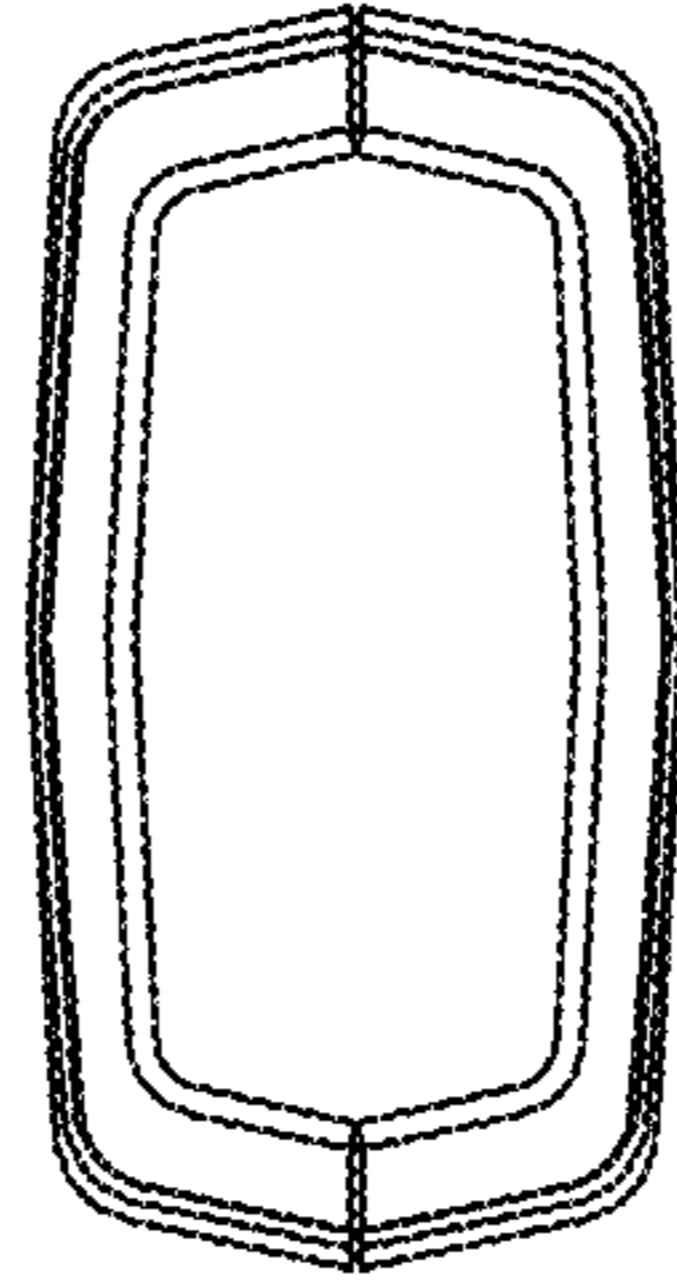


FIG. 4

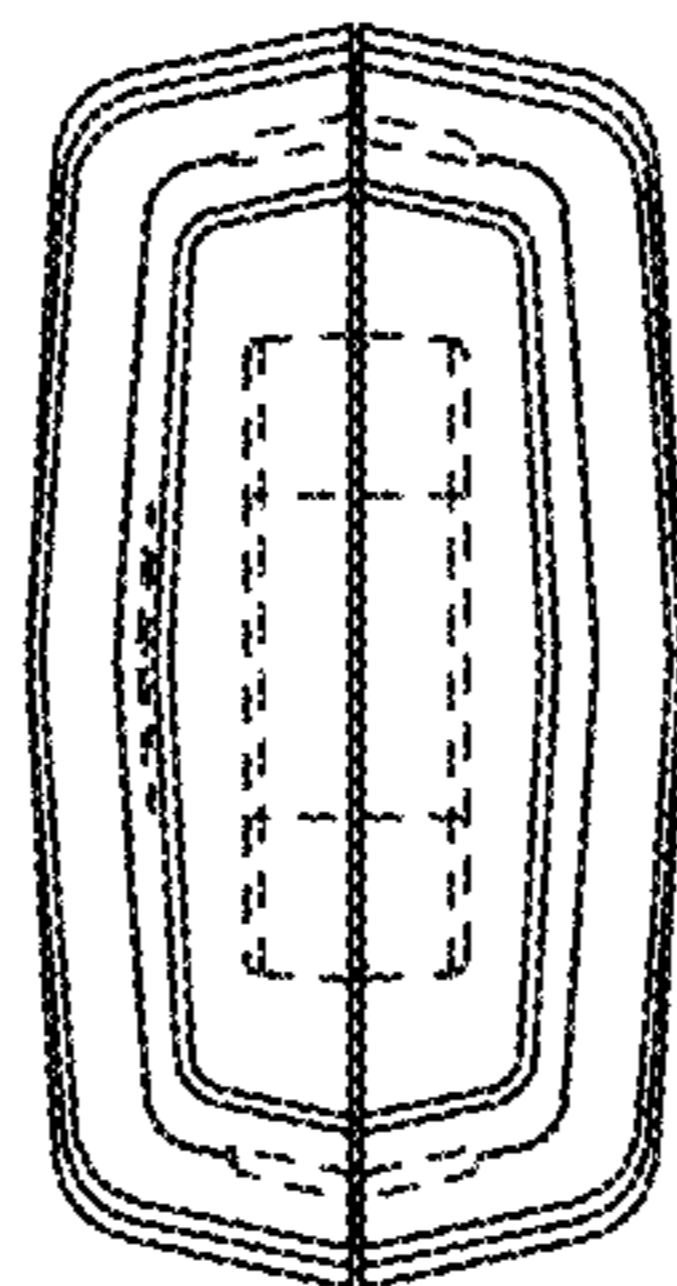


FIG. 5

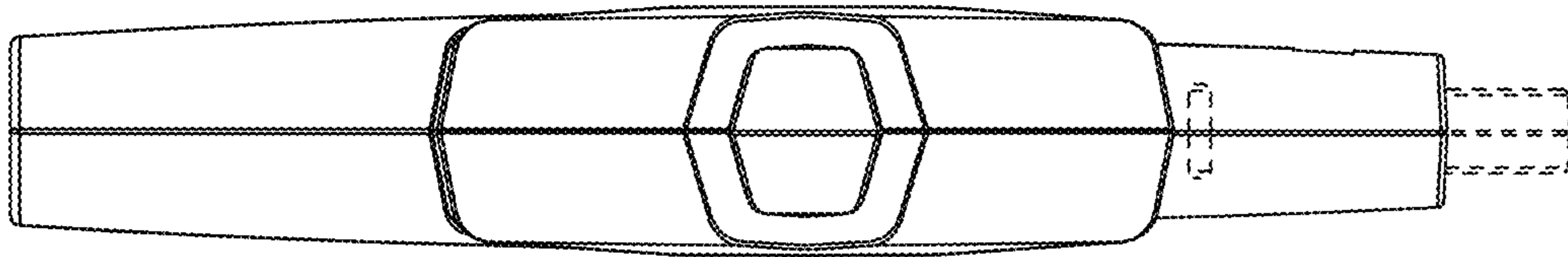


FIG. 6

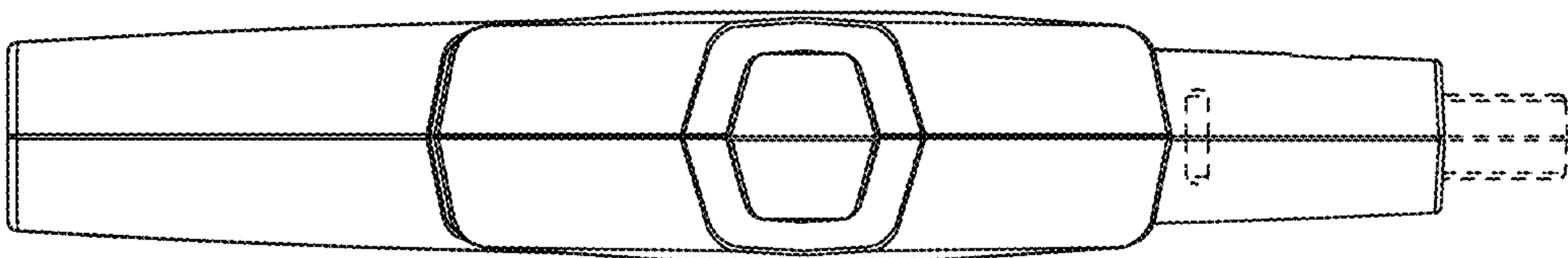


FIG. 7

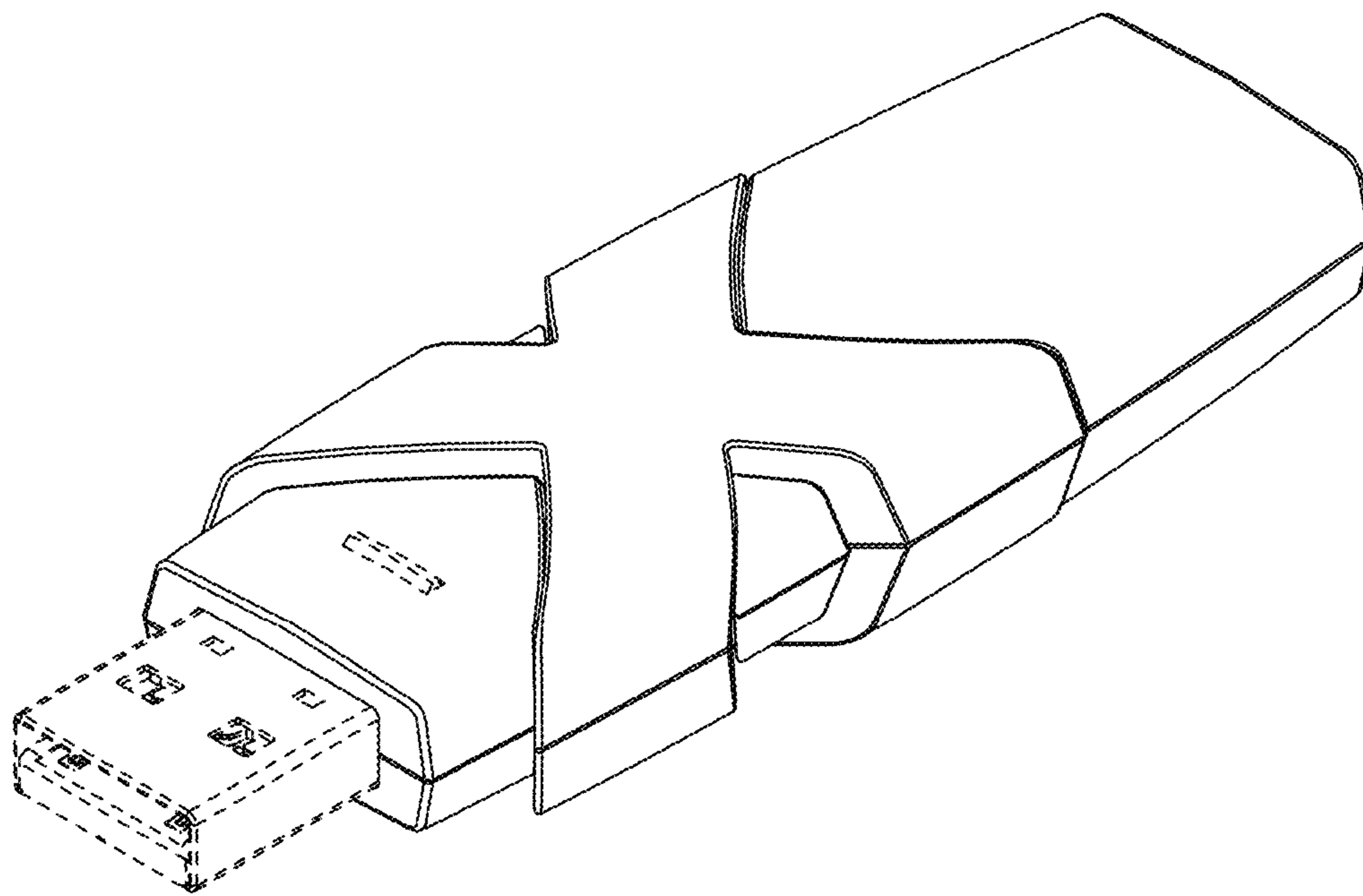


FIG.8