



US00D774037S

(12) **United States Design Patent** (10) **Patent No.:** **US D774,037 S**
Kang et al. (45) **Date of Patent:** **** Dec. 13, 2016**

(54) **STAND FOR ELECTRONIC DEVICE**
 (71) Applicant: **Samsung Electronics Co., Ltd.**,
 Suwon-si (KR)
 (72) Inventors: **Min-Sun Kang**, Seoul (KR); **Tae-Yeon Won**, Seoul (KR); **Jung-Eun Kim**,
 Seoul (KR)
 (73) Assignee: **Samsung Electronics Co., Ltd.**,
 Suwon-si (KR)
 (**) Term: **15 Years**
 (21) Appl. No.: **29/527,408**
 (22) Filed: **May 19, 2015**

(30) **Foreign Application Priority Data**
 Nov. 20, 2014 (KR) 30-2014-0055931
 (51) **LOC (10) Cl.** **08-07**
 (52) **U.S. Cl.**
 USPC **D14/451**
 (58) **Field of Classification Search**
 USPC D14/371-382, 125-129, 336, 337,
 D14/447-452, 492, 335, 239, 457,
 D14/439-441, 432, 251-253; D8/349,
 D8/354, 363, 373, 376, 380; D21/333;
 D12/415; D3/218; 348/180, 348/184, 325,
 348/739, 825
 CPC G06F 3/0412; G06F 3/016; G06F 3/0488;
 G06F 3/011; G06F 3/038; G06F 3/03543;
 G06F 3/0338; G06F 3/0202; G06F
 3/0219; G06F 3/0213; G06F
 1/1616; G06F 3/023; G06F
 3/04883; G02F 1/13338; G02F 1/1313;
 G02F 1/1333; G02F 1/135; G02F 1/132;
 G02F 1/133308; G02F 1/134309; G02F
 1/13718; G09G 3/3648; G06K 15/1252;
 B41J 2/465; G03F 7/70291; G02B
 27/0172; G02B 5/30; G02B 2027/0118;
 G02B

(Continued)

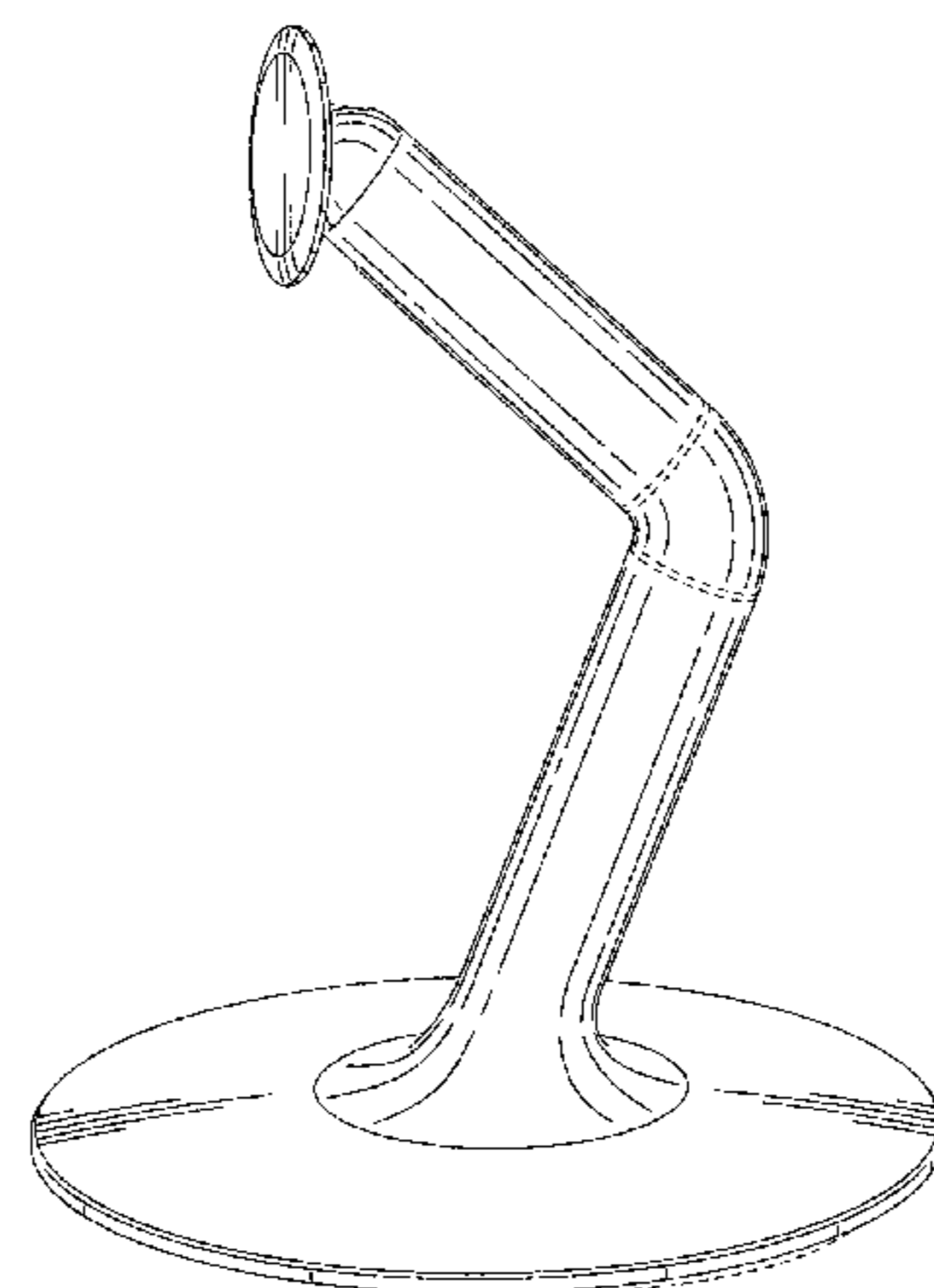
(56) **References Cited**
 U.S. PATENT DOCUMENTS
 D295,415 S * 4/1988 Thies D14/452
 D488,813 S 4/2004 Lin et al.
 (Continued)

FOREIGN PATENT DOCUMENTS
 EM 001085013-0001 3/2009
 KR 30-2006-0005708 11/2006
 KR 30-2013-0057943 8/2014
Primary Examiner — Barbara Fox
Assistant Examiner — Katie S Mroczka
 (74) *Attorney, Agent, or Firm* — NSIP Law

(57) **CLAIM**
 We claim the ornamental design for a stand for electronic device, as shown and described.

DESCRIPTION
 FIG. 1 is a front perspective view of a stand for electronic device showing our new design;
 FIG. 2 is a front view thereof;
 FIG. 3 is a rear view thereof;
 FIG. 4 is a left-side view thereof;
 FIG. 5 is a right-side view thereof;
 FIG. 6 is a top view thereof;
 FIG. 7 is a bottom view thereof;
 FIG. 8 is a front perspective view in which a display panel is provided in broken lines to illustrate an example environment; and,
 FIG. 9 is another right-side view of the stand for electronic device shown in an alternate position in which a display panel is provided in broken lines to illustrate an example environment.
 The broken lines in FIGS. 1-7 illustrate portions of the stand for electronic device that form no part of the claimed design. The broken lines illustrating the display panel in FIGS. 8 and 9 are environment, while the remaining broken lines in

(Continued)



FIGS. 8 and 9 illustrate portions of the stand for electronic device that form no part of the claimed design.

1 Claim, 8 Drawing Sheets

(58) Field of Classification Search

CPC 27/0101;F16M 13/02; F16M 13/00;
F16M 11/10; F16M 11/04; F16M
2200/08; F16M 11/2021; A47B 21/0314;
A47B 88/044; A47B 2021/0335; H02G
3/126; F16B 47/00; F16B 47/006; A47G
1/17; A47K 2201/00

See application file for complete search history.

(56) References Cited

U.S. PATENT DOCUMENTS

D545,825 S *	7/2007	Richter	D14/251
D562,331 S *	2/2008	Li	D14/451
D588,602 S *	3/2009	Chao	D14/451
D625,302 S *	10/2010	Kasuga	D14/239
D681,647 S *	5/2013	Choi	D14/451
D688,674 S	8/2013	Lau et al.	
D690,306 S *	9/2013	Malisse	D14/447
D697,881 S *	1/2014	Lee	D14/126
D704,156 S *	5/2014	Lee	D14/126
D714,569 S *	10/2014	Cohen	D6/523
D733,156 S *	6/2015	Choi	D14/447
D733,157 S *	6/2015	Kim	D14/447

* cited by examiner

FIG. 1

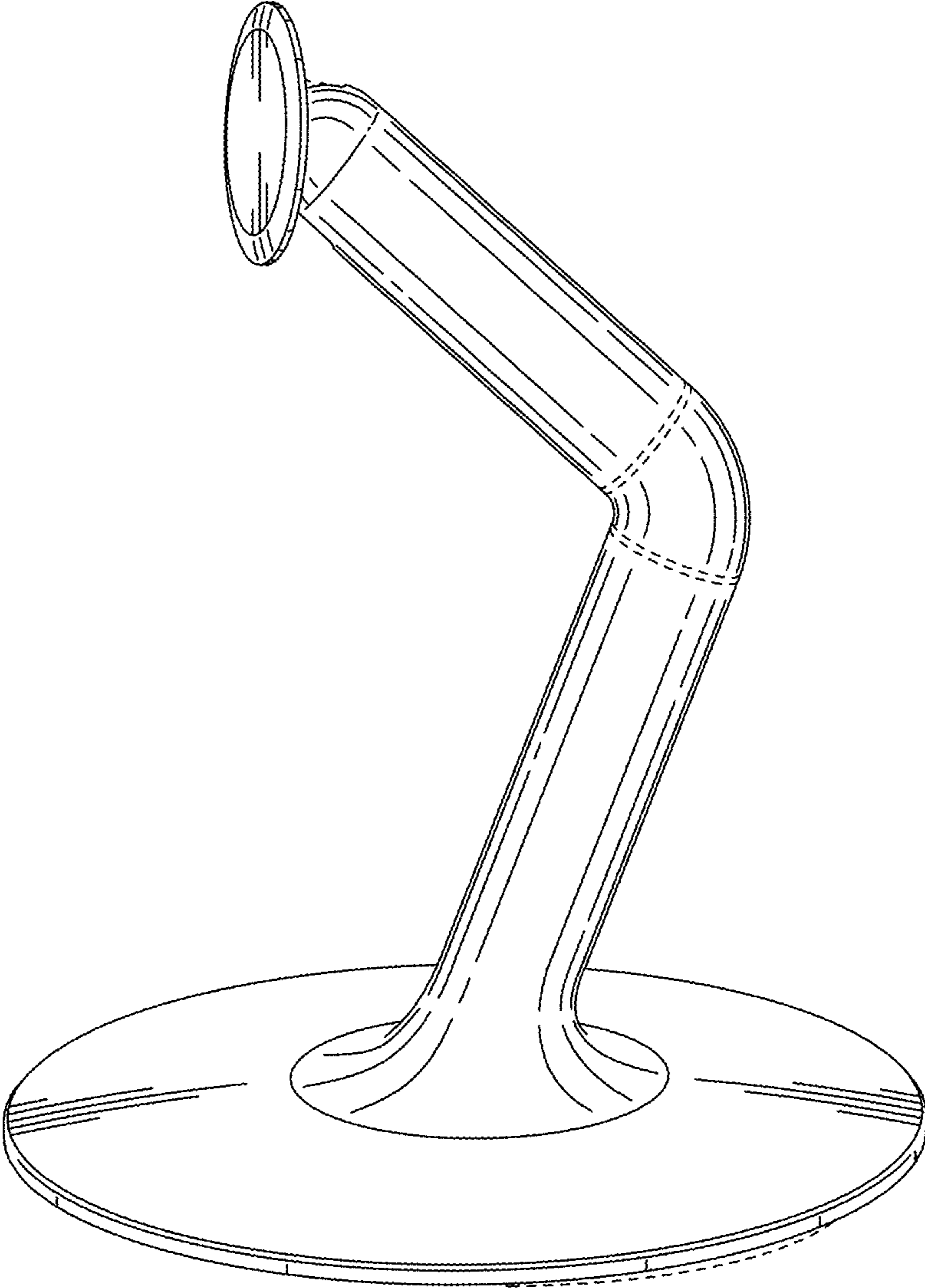


FIG. 2

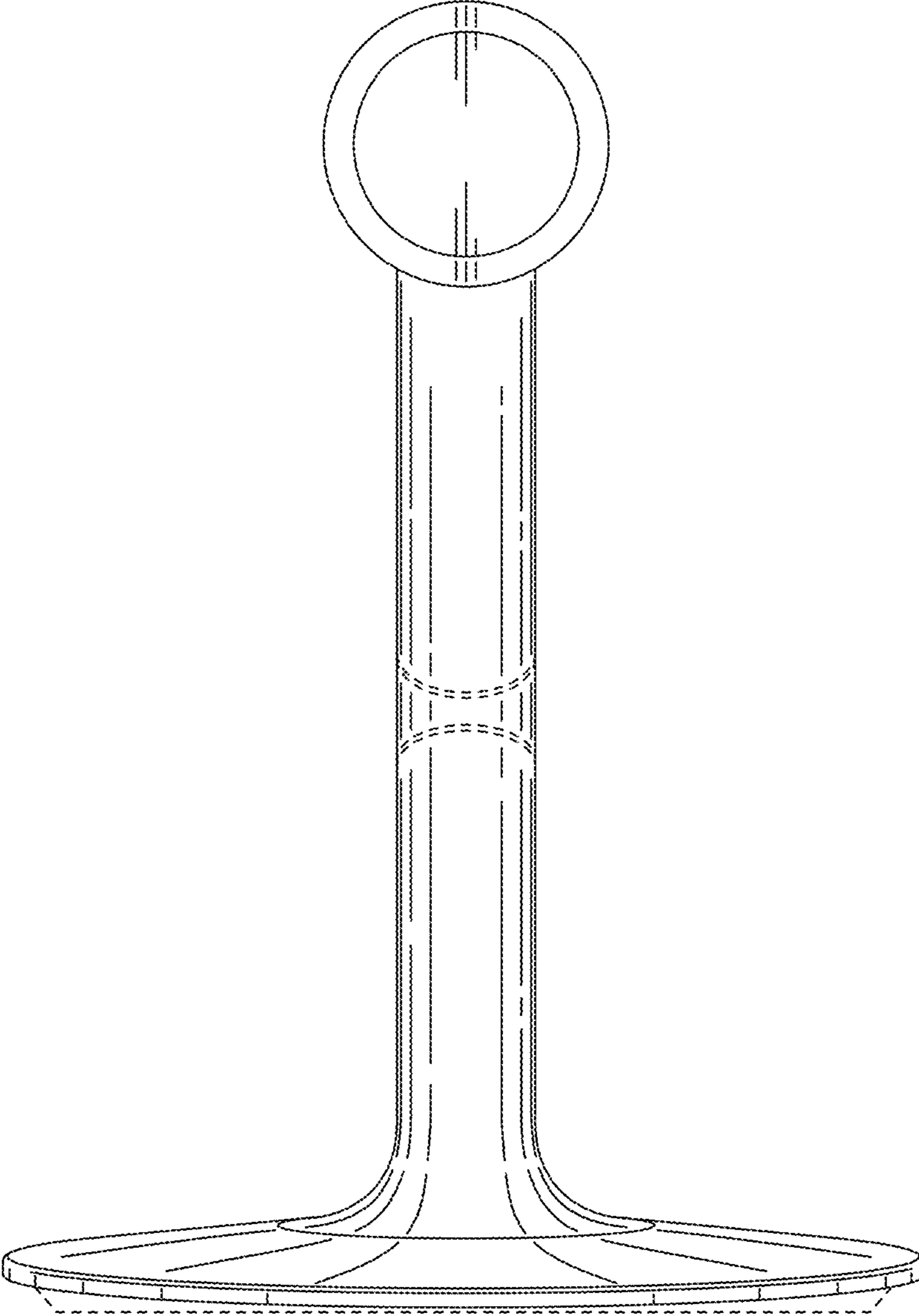


FIG. 3

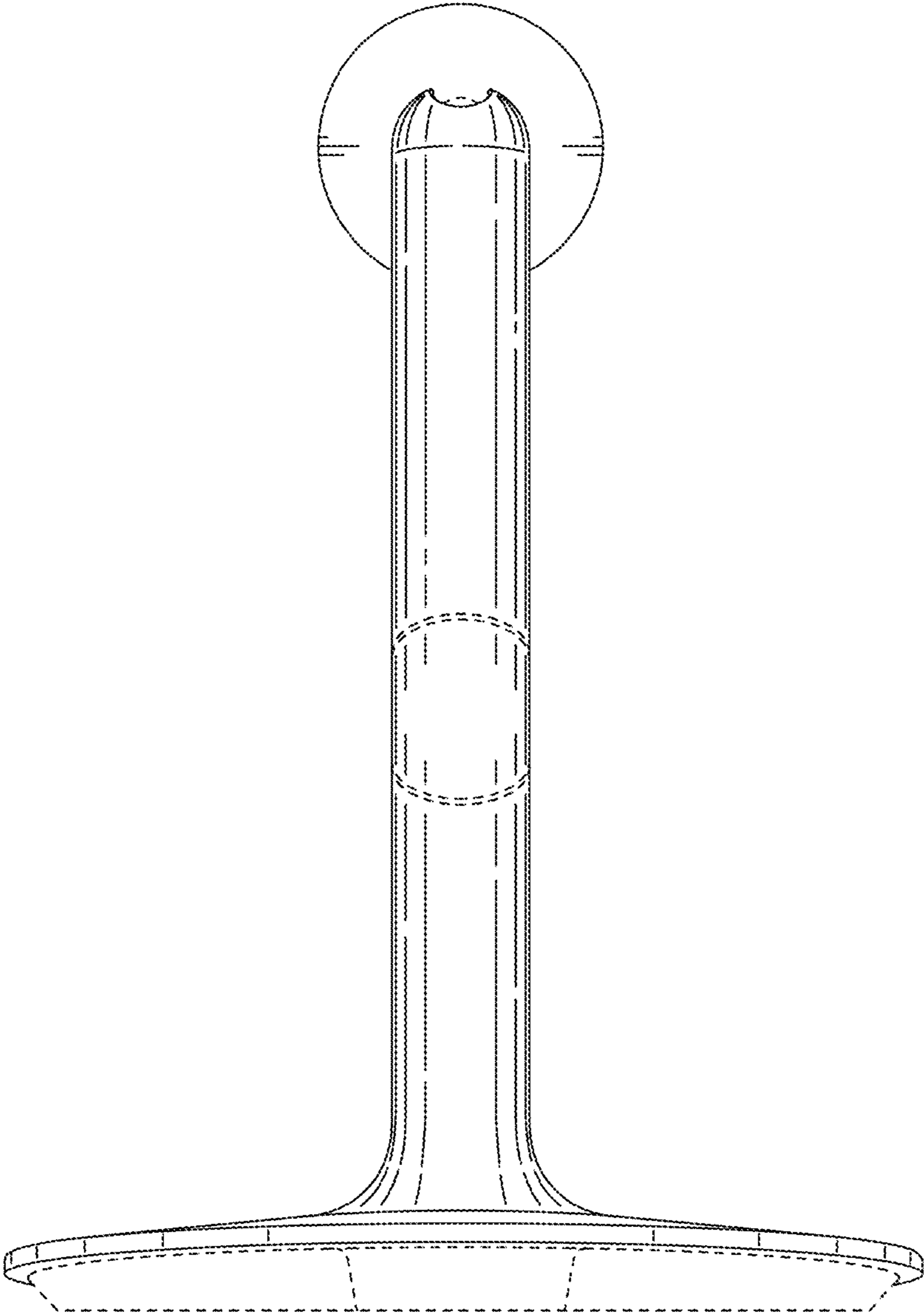


FIG. 4

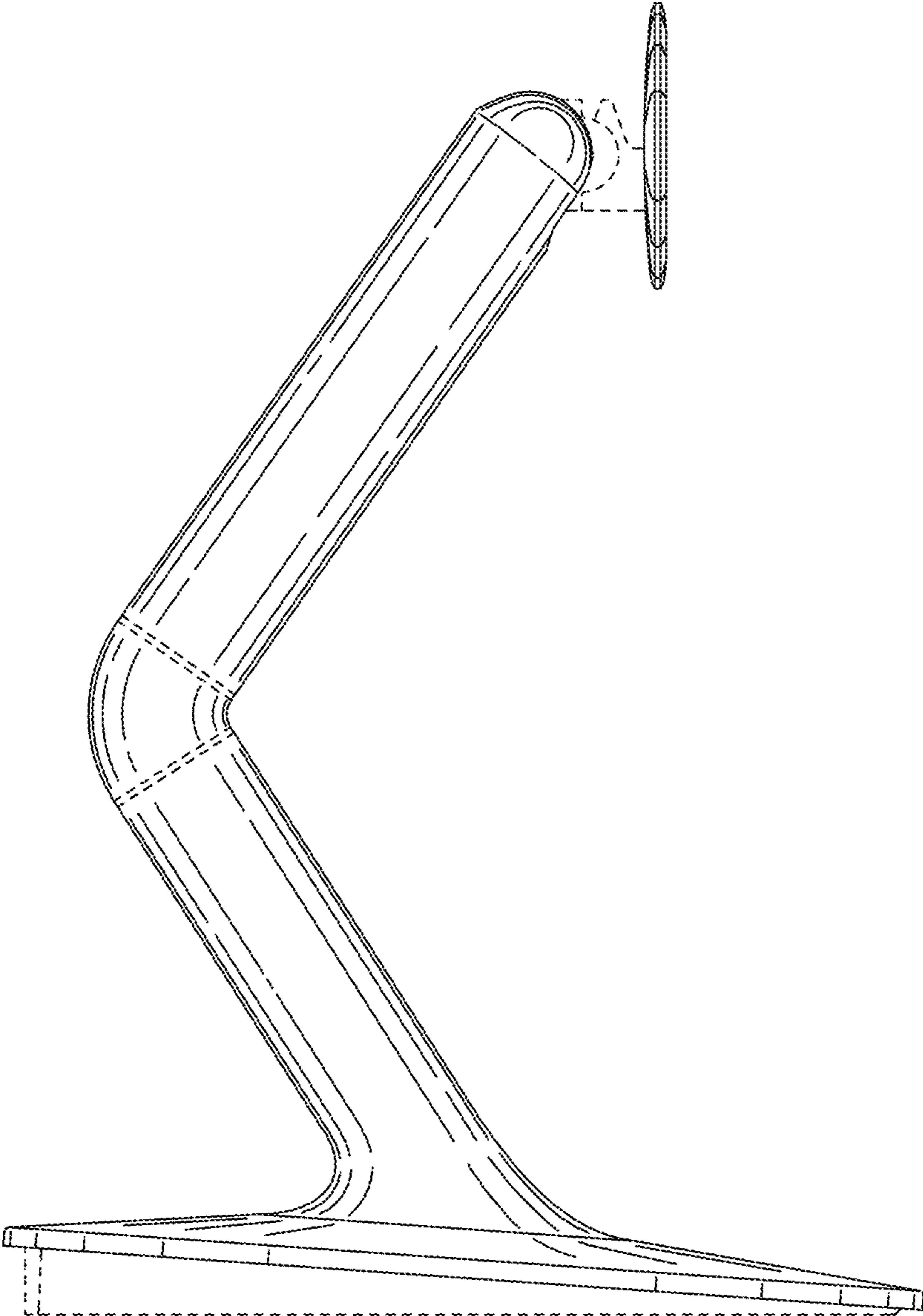


FIG. 5

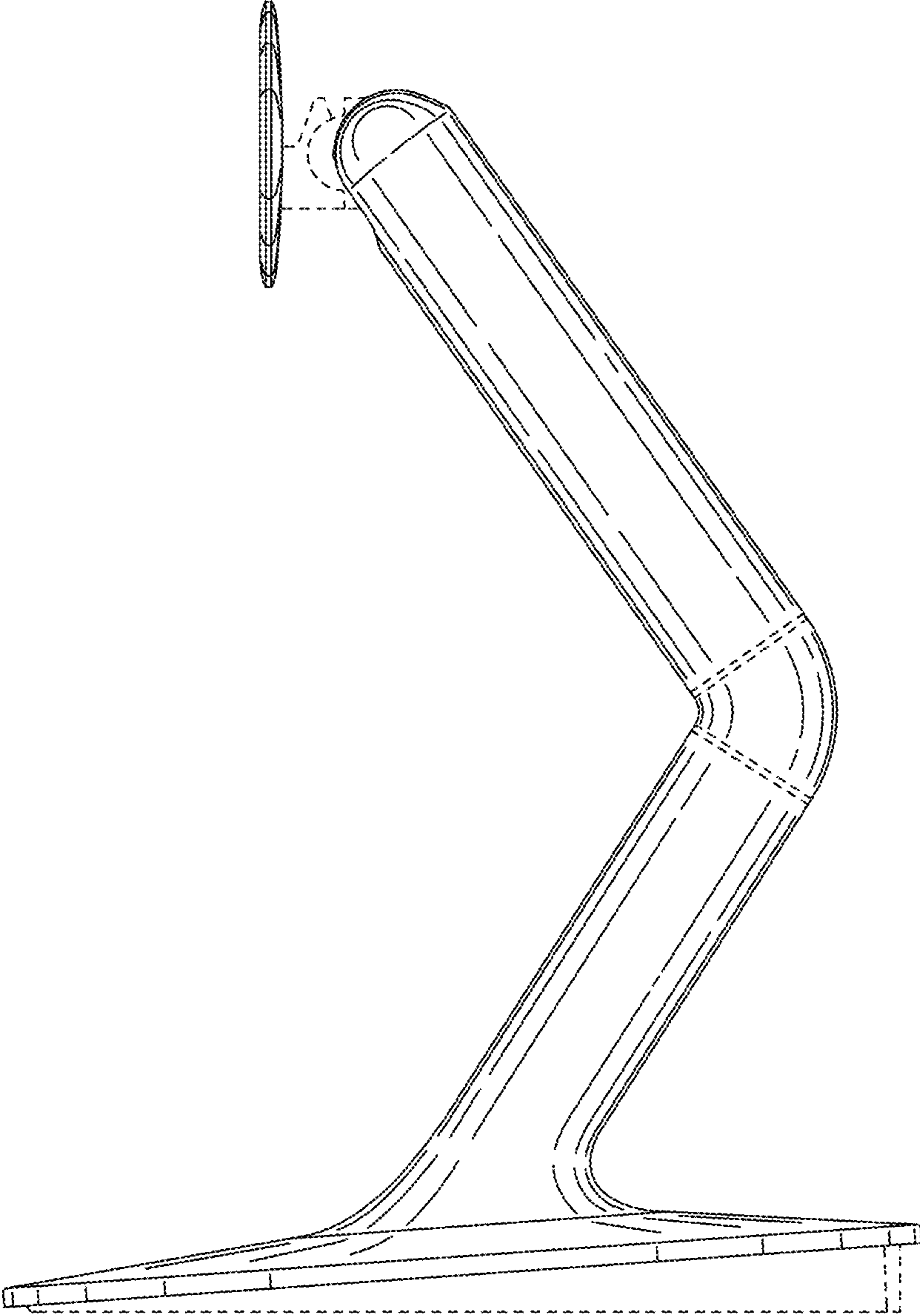


FIG. 6

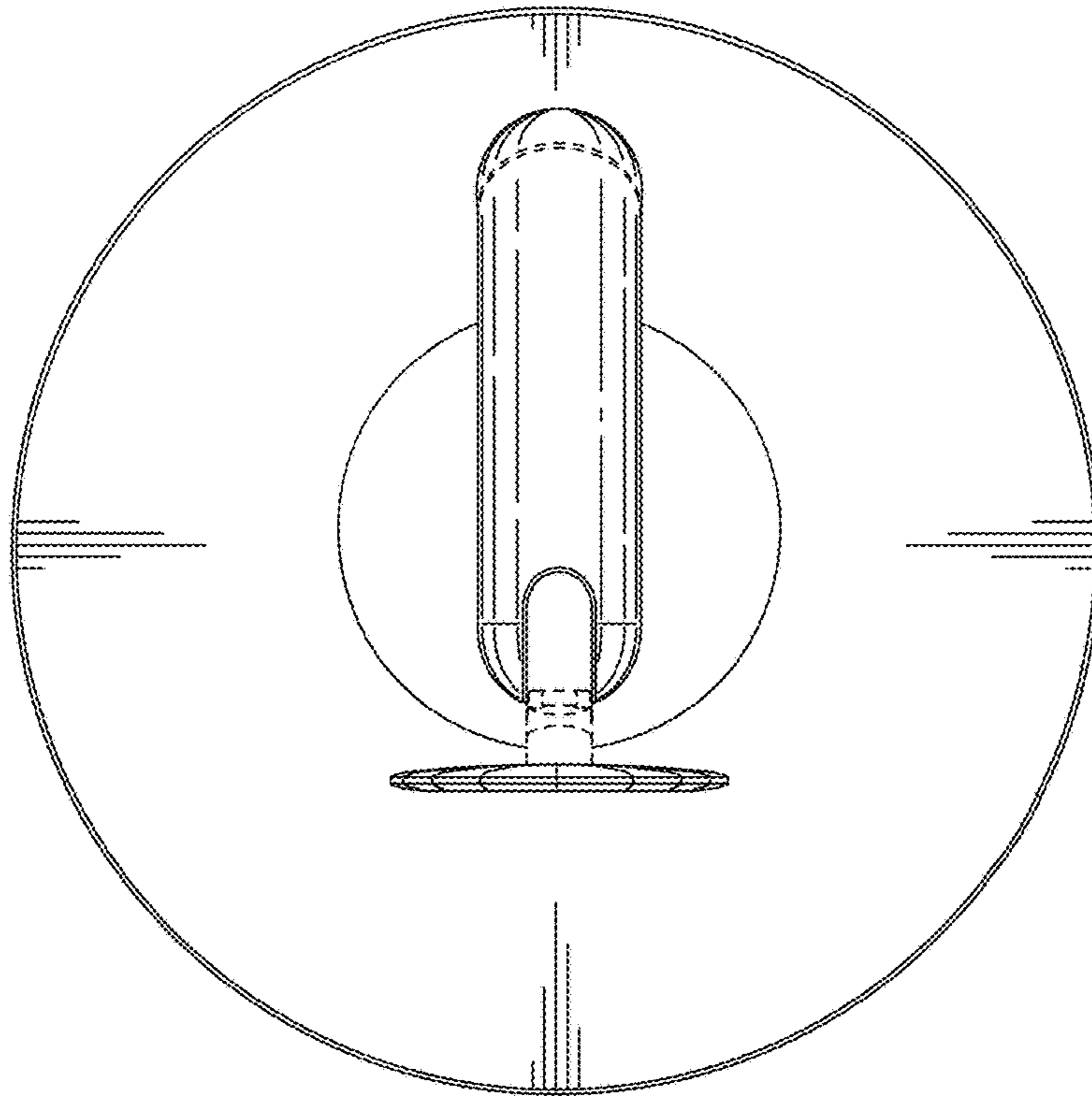


FIG. 7

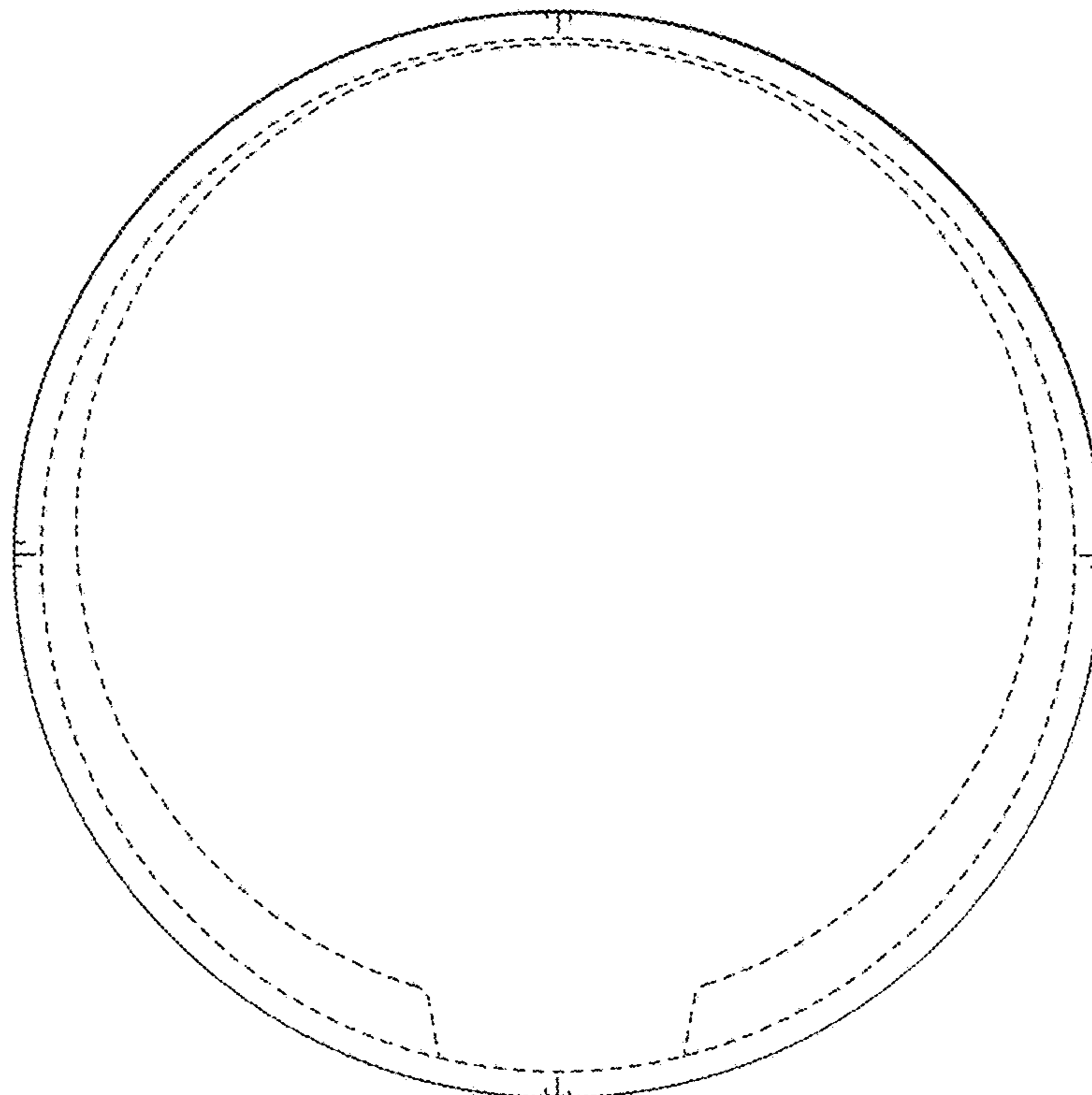


FIG. 8

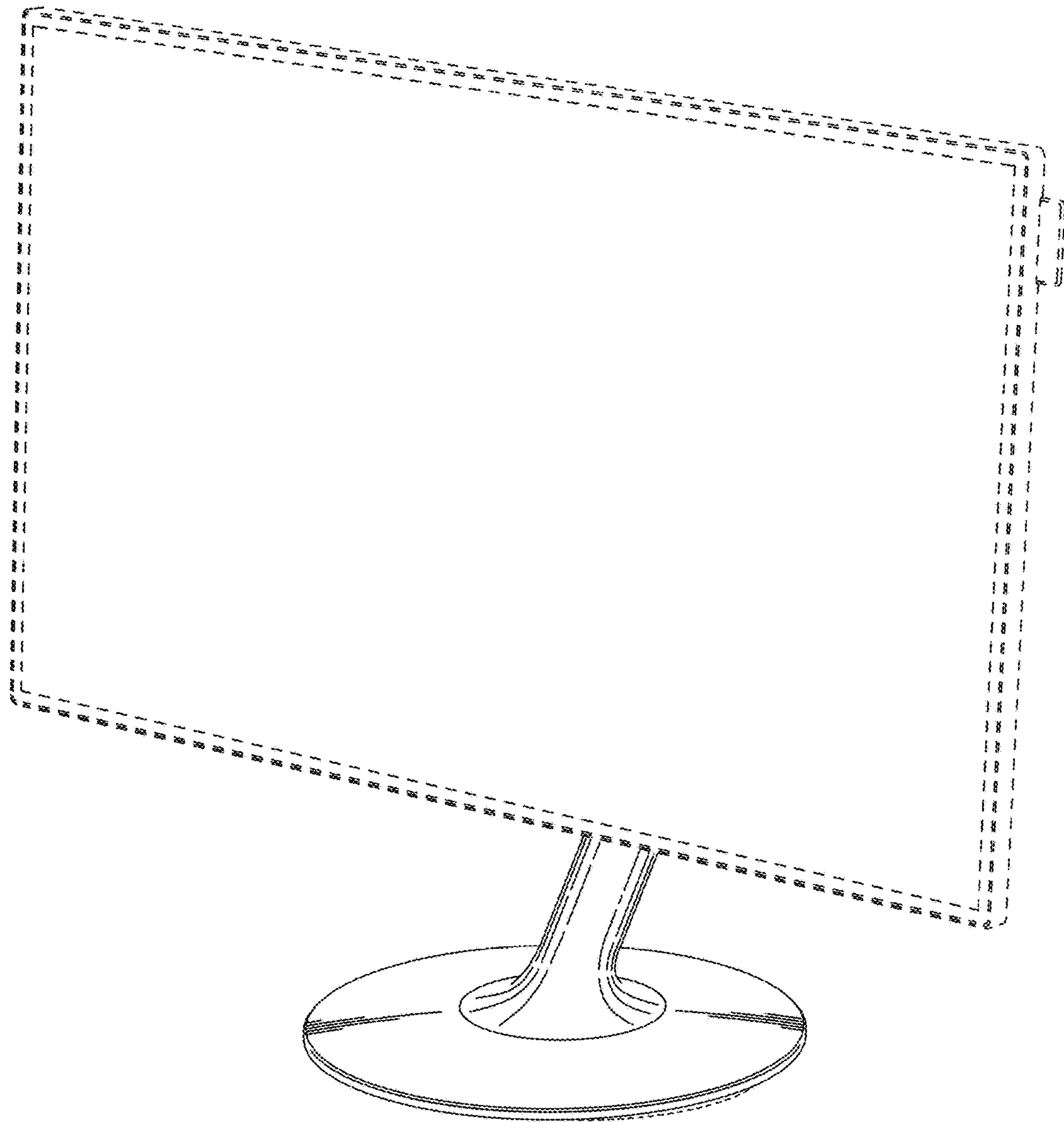


FIG. 9

