



US00D774034S

(12) **United States Design Patent**  
**Kheradpir et al.**

(10) **Patent No.: US D774,034 S**

(45) **Date of Patent: \*\* Dec. 13, 2016**

(54) **RAPID REGISTRATION SCANNER**

(71) Applicant: **SYNAPTIVE MEDICAL (BARBADOS) INC.**, Bridgetown (BB)

(72) Inventors: **Leila Kheradpir**, Toronto (CA); **Jakub Jankowski**, Toronto (CA); **Samson Ng**, Toronto (CA); **Kyle Richard Dupont**, Toronto (CA); **Omar Taqreiz Ahmad Khan**, Toronto (CA); **Kishan Hitesh Shah**, Toronto (CA); **Kirusha Srimohanarajah**, Toronto (CA)

(73) Assignee: **SYNAPTIVE MEDICAL (BARBADOS) INC.**, Bridgetown (BB)

(\*\*) Term: **15 Years**

(21) Appl. No.: **29/534,585**

(22) Filed: **Jul. 30, 2015**

(51) **LOC (10) Cl. .... 14-02**

(52) **U.S. Cl.**  
USPC ..... **D14/426; D24/186**

(58) **Field of Classification Search**

USPC ..... D14/420, 426-430, 218, 341, 371, D14/347, 147, 138, 172, 191, 188, 137, D14/240, 299, 434, 149, 253; D24/155, D24/186, 158-161, 185, 209, 210, 214, D24/215; 340/539.32, 539.13, 815.42, 340/825.49, 5.52-5.53, 5.8, 340/5.81-5.83; D10/78, 104, 116; D13/168, 108; 235/383, 235/472.01-472.03, 462.43, 462.45, 454, 235/460, 462.3, 462.01; D21/329; 382/115, 124, 125-127; 902/3-5; D32/41, D32/17, 18, 31-34, 69, 70, 25

CPC ..... G06F 1/626; G06F 1/1626; G06F 1/1656; G06F 1/1632; G06F 1/1684; G06F 1/1635; G06F 8/63; G06F 17/30091; G06F 9/4401; G06K 7/10881; G06K 7/1098; G06K 1/10722; G06K 7/1404; G06K 7/0004; G06K 7/10633; G06K 7/10851; G06K 7/1091; G06K 7/1092; G06K 7/1093; G06K 7/10; G06K 7/109; G06K 7/10722; G06K 7/1417; G06K 9/228; G06K 17/0022; G06K 17/00; G06K 2207/1011; G06K 2207/1013; G06K

2207/1016; G06K 2207/1018; G06K 2017/0051; G06K 2017/0067; G06K 2007/10524; G07G 1/0081; G07G 1/009; G06Q 20/20; G06Q 20/201-20/203; G06Q 20/30; G06Q 20/32; G06Q 20/322; G06Q 20/4014; G06Q 10/087; H04N 1/00127; H04N 1/00135; H04N 1/00326; H04N 1/00334; H04N 1/00307; H04N 1/107; H04N 2201/0084; H04N 2101/00; H04M 1/0249; H04M 1/0262; H04M 1/0266; H04M 1/18; H04M 1/23; H04M 1/236; H04B 1/3827;

(Continued)

(56) **References Cited**

U.S. PATENT DOCUMENTS

D266,221 S \* 9/1982 Ewig ..... D8/49  
4,485,952 A \* 12/1984 Weis ..... B25C 5/1693  
227/10

(Continued)

OTHER PUBLICATIONS

Artec3D Eva Handheld 3D Scanner, <http://landing.artec3d.com/upload/Artec3DScanners-Brochure-USD-A4-Website.pdf> 3 pages. 2016.\*

(Continued)

*Primary Examiner* — Susan Moon Lee  
(74) *Attorney, Agent, or Firm* — Perry + Currier Inc.

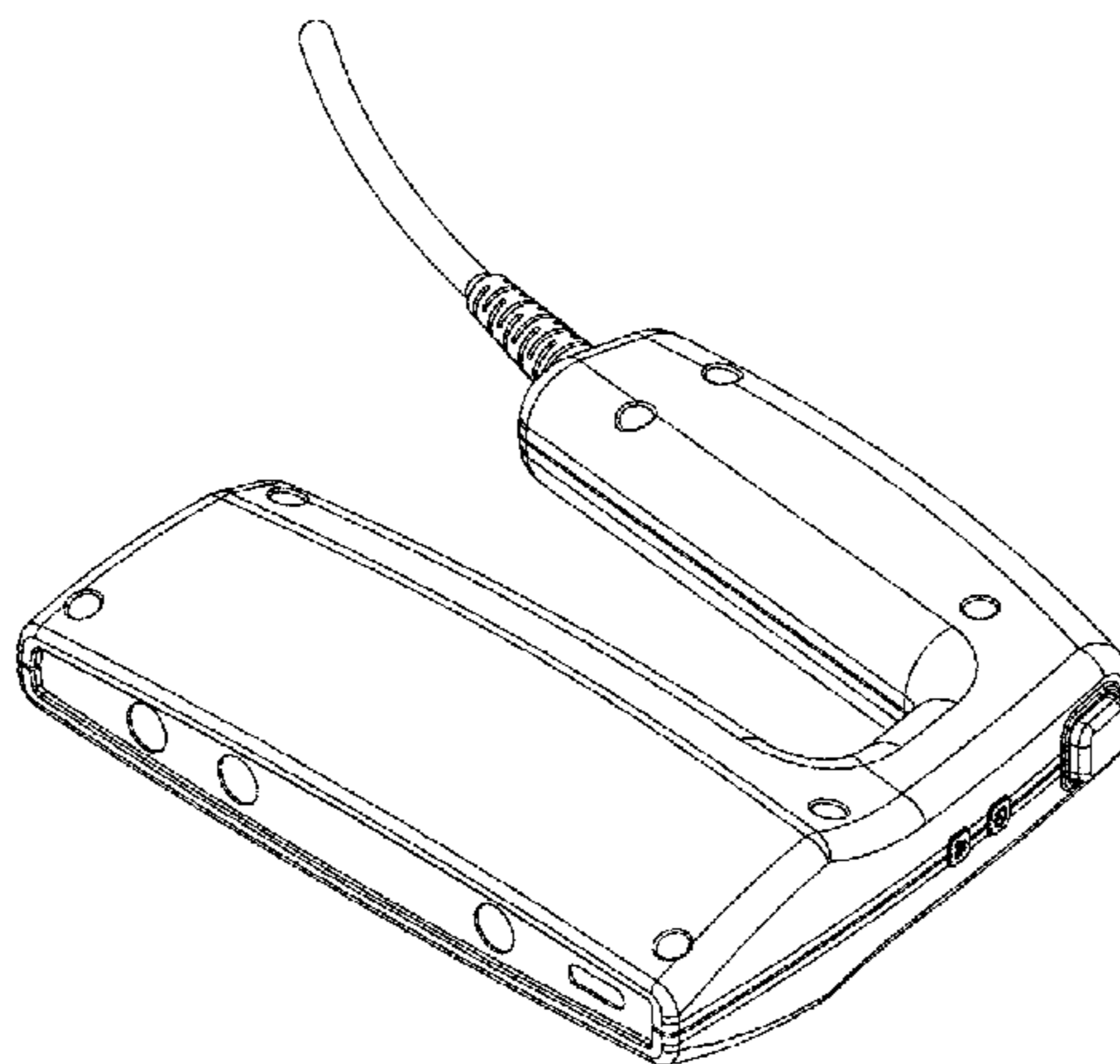
(57) **CLAIM**

We claim the ornamental design for a rapid registration scanner, as shown and described.

**DESCRIPTION**

FIG. 1 is a left side elevation view of a rapid registration scanner;  
FIG. 2 is a front elevation view thereof;  
FIG. 3 is a rear elevation view thereof;  
FIG. 4 is a top plan view thereof;  
FIG. 5 is a bottom plan view thereof;  
FIG. 6 is a left side perspective view thereof; and,  
FIG. 7 is a right side perspective view thereof.

**1 Claim, 7 Drawing Sheets**



(58) **Field of Classification Search**

CPC ... H04B 1/3833; H04B 1/3877; H04B 1/3883;  
H04B 1/3888; H04B 2001/3894; H01M  
2/1066

See application file for complete search history.

(56) **References Cited**

U.S. PATENT DOCUMENTS

D281,977 S \* 12/1985 Sklaroff ..... D14/430  
D288,060 S \* 2/1987 Somers ..... D8/49  
4,693,407 A \* 9/1987 Buck ..... B25C 5/1641  
227/109  
D308,201 S \* 5/1990 Doyle ..... D14/430  
D313,156 S \* 12/1990 Staubitz ..... D8/69  
D330,836 S \* 11/1992 Fushiya ..... D8/49  
D340,630 S \* 10/1993 Hara ..... D8/49  
D411,422 S \* 6/1999 Juhlin ..... D8/49  
D450,389 S \* 11/2001 Chang ..... D24/210  
6,367,676 B1 \* 4/2002 Opland ..... B25C 5/11  
227/123  
D517,385 S \* 3/2006 Arns ..... D8/49  
D580,246 S \* 11/2008 Mandel ..... D8/49  
D600,085 S \* 9/2009 Mandel ..... D8/49  
7,815,089 B2 \* 10/2010 Shor ..... B25C 5/10  
227/120  
D630,073 S \* 1/2011 Krumpe ..... D8/49  
D632,692 S \* 2/2011 Rosel ..... D14/429  
D667,010 S \* 9/2012 Firth ..... D14/426  
D669,183 S \* 10/2012 Personelli ..... D24/158  
8,413,865 B2 \* 4/2013 Mandel ..... B25C 5/06  
227/110

D689,753 S \* 9/2013 Yoo ..... D8/49  
D713,229 S \* 9/2014 Caglar ..... D8/49  
D717,147 S \* 11/2014 Rubin ..... D8/49  
D740,945 S \* 10/2015 Booth ..... D24/158  
D741,130 S \* 10/2015 Caglar ..... D8/49  
9,387,578 B2 \* 7/2016 Kuehne ..... B25F 5/02  
2006/0108391 A1 \* 5/2006 Leasure ..... B25C 1/047  
227/120  
2013/0012807 A1 \* 1/2013 Al-Sunni ..... A61B 5/06  
600/424  
2013/0228608 A1 \* 9/2013 Sokol ..... B25C 5/11  
227/132  
2013/0292446 A1 \* 11/2013 Choy ..... B25C 5/06  
227/120

OTHER PUBLICATIONS

Shining 3D EinScan 3D Handheld Scanner, <http://www.aniwaa.com/product/3d-scanners/shining-3d-einscan-pro/> 1 page, 2016.\*  
Thor 3D 3D Handheld Scanner, <http://www.aniwaa.com/product/3d-scanners/thor3d-thor/> 1 page 2016.\*  
Veterinary portable Handheld Ultrasound Scanner, [www.ultrasoundscanneronline.com](http://www.ultrasoundscanneronline.com) 2016, 1 page.\*  
3D Systems Handheld 3D Scanner, <http://www.3dsystems.com/shop/sense> 1 page 2016.\*  
XYZ Printing Handheld 3D Scanner, [http://us.xyzprinting.com/us\\_en/Product/3D-Scanner](http://us.xyzprinting.com/us_en/Product/3D-Scanner) 1 page 2016.\*  
CipherLab 1860 series Handheld RFID reader, <http://www.webops.com/store/bluetooth-scanners/1862-handheld-rfid-reader-kit/> 1 page, 2016.\*

\* cited by examiner

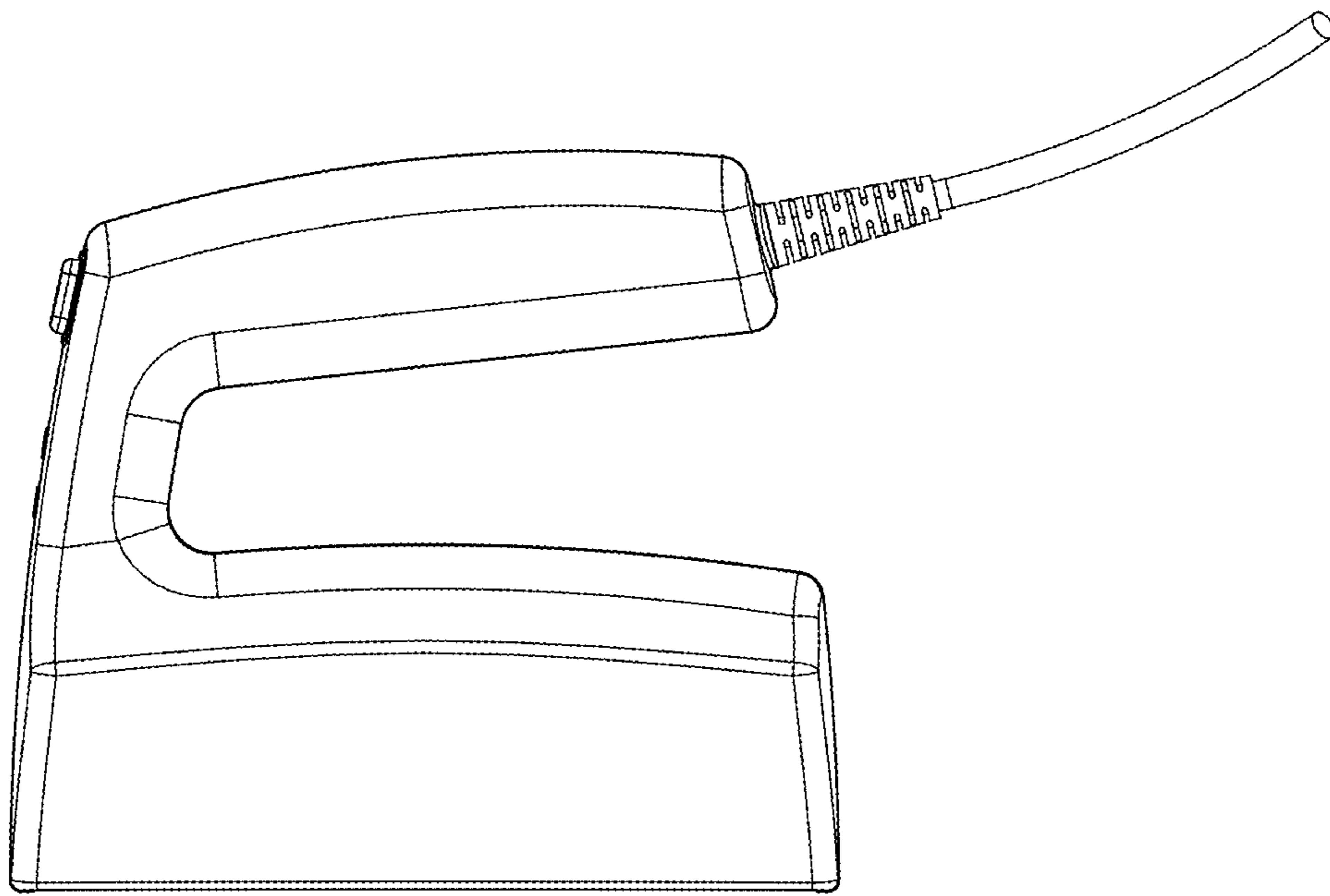


FIG. 1

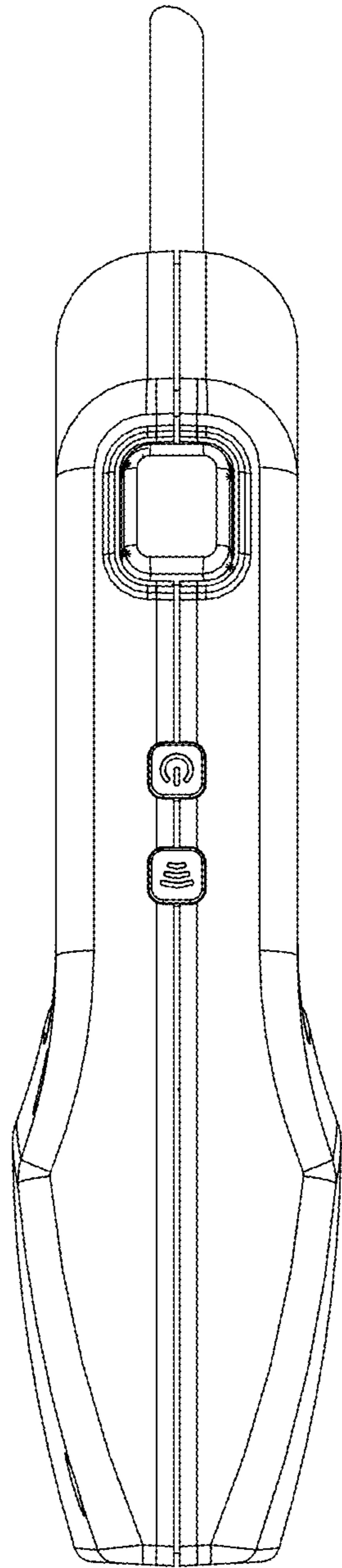


FIG. 2

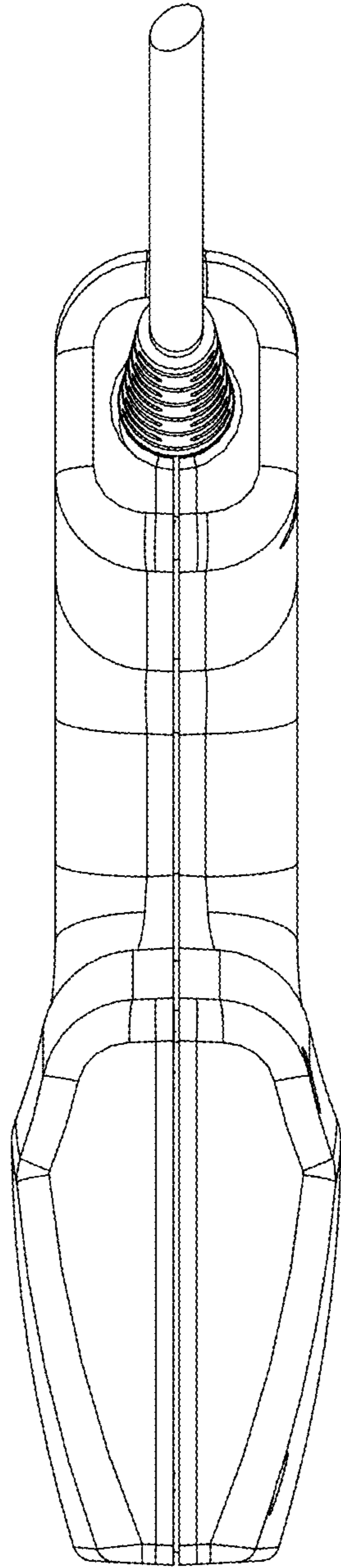


FIG. 3



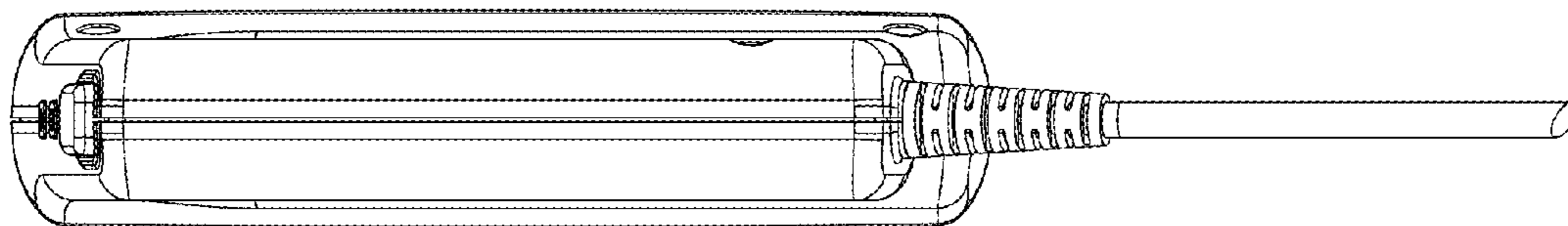


FIG. 4

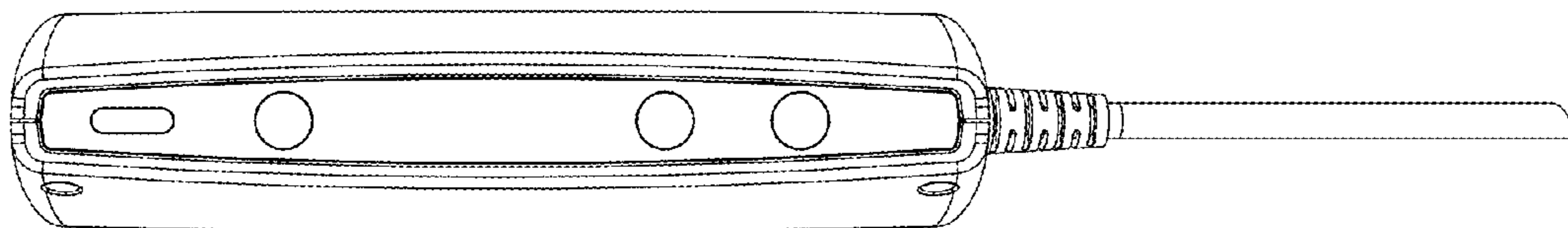


FIG. 5

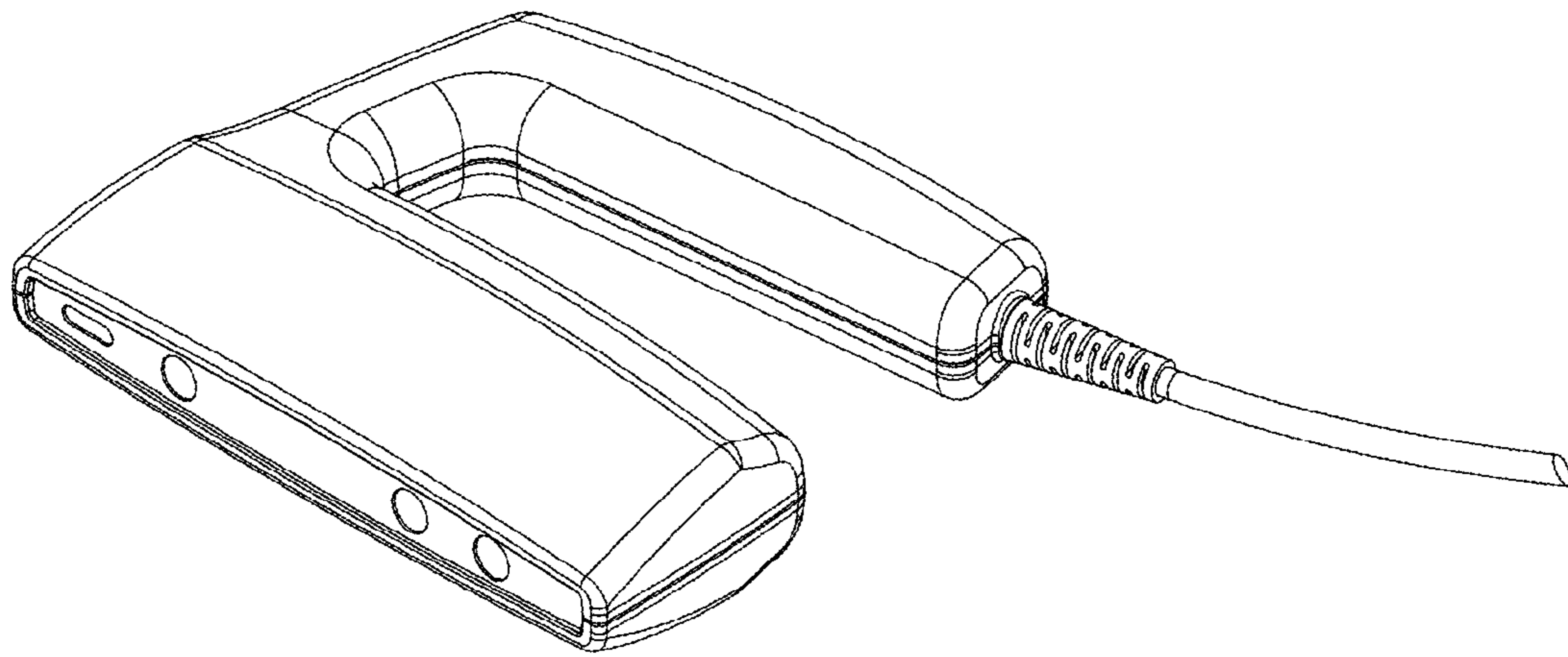


FIG. 6



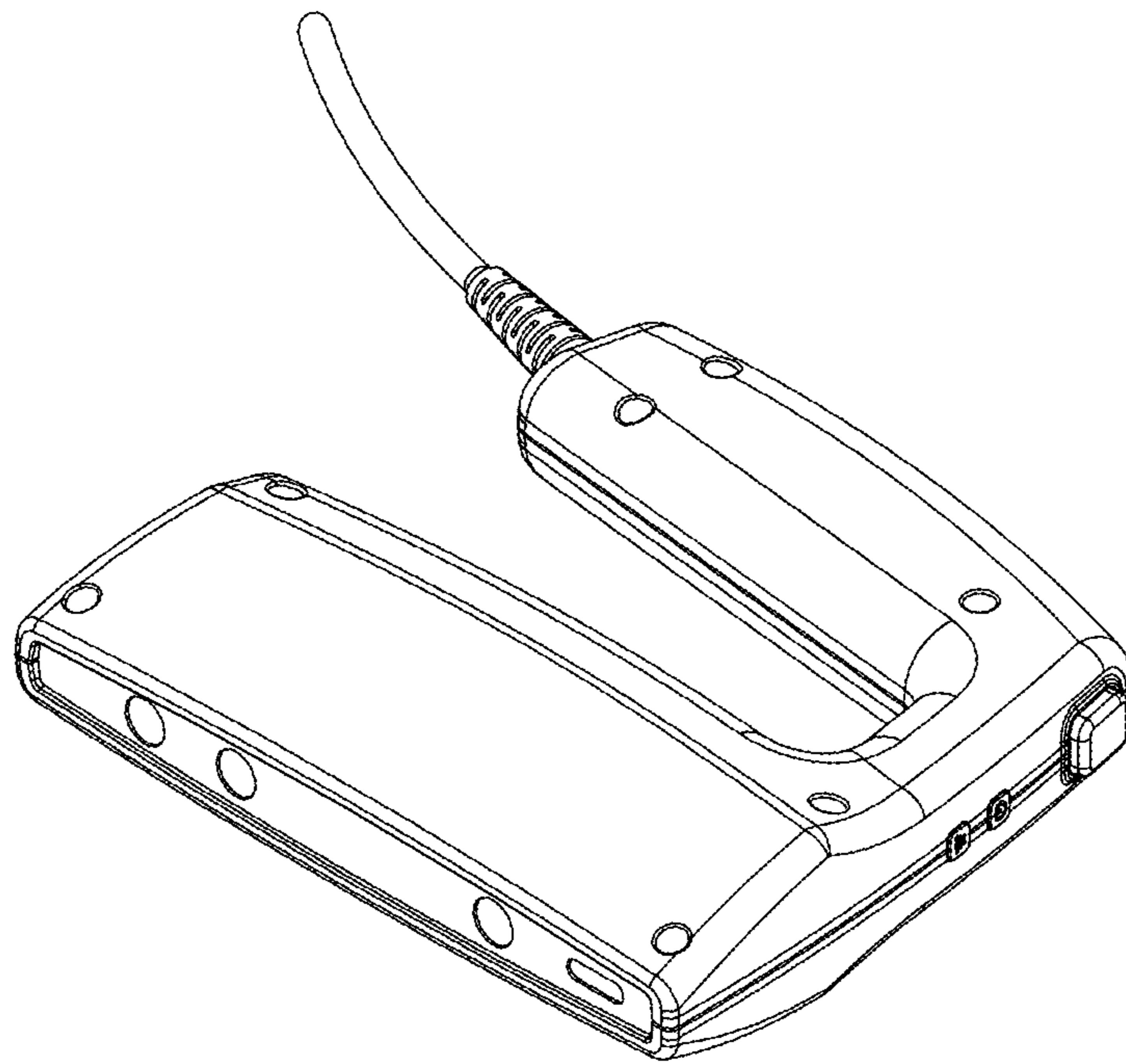


FIG. 7