



US00D774033S

(12) **United States Design Patent**  
**Lewis et al.**

(10) **Patent No.:** **US D774,033 S**  
(45) **Date of Patent:** **\*\* Dec. 13, 2016**

(54) **KEYPAD**

- (71) Applicant: **Amazon Technologies, Inc.**, Seattle, WA (US)
- (72) Inventors: **Kimberly Anne Lewis**, Seattle, WA (US); **Thomas Matthew Ryle**, Olympia, WA (US); **Ryan Scott Russell**, Seattle, WA (US); **Justin David Kelly**, Seattle, WA (US); **Joshua Joel Boelter**, Seattle, WA (US); **Michael Lemmon**, Seattle, WA (US); **Kathryn Anne Storm**, Seattle, WA (US); **Mercia Elizabeth Howard**, Seattle, WA (US)
- (73) Assignee: **Amazon Technologies, Inc.**, Seattle, WA (US)
- (\*\*) Term: **14 Years**
- (21) Appl. No.: **29/502,361**
- (22) Filed: **Sep. 15, 2014**
- (51) **LOC (10) Cl.** ..... **14-02**
- (52) **U.S. Cl.**  
USPC ..... **D14/399**; D14/455
- (58) **Field of Classification Search**  
USPC ..... D14/399, 320, 331, 333, 338, 346, 387, D14/388-390, 455, 456, 150, 218, 247; D18/6, 7, 8, 12, 12.1, 12.2, 24, 29; D19/6, 9, 10; D20/11; D21/324-333, 517, D21/512; D99/43, 99; D13/123, 162, D13/162.1, 168

(Continued)

(56) **References Cited**

**U.S. PATENT DOCUMENTS**

606,903 A \* 7/1898 Torrey ..... B41J 5/10  
400/487

(Continued)

**OTHER PUBLICATIONS**

Keysonic KB-ACK-118BK Numeric Keypad Silicone Dust- and Splash Proof Retract. scan.co.uk. (online) 5 pages. Posted as early

as Aug. 8, 2014 [retrieved on Apr. 27, 2016]. Retrieved from Internet: <https://www.scan.co.uk/products/keysonic-kb-ack-118bk-numeric-silicone-keypad-dust-and-splash-proof-!!>\*

*Primary Examiner* — Susan Bennett Hattan  
*Assistant Examiner* — Marie Fast Horse  
(74) *Attorney, Agent, or Firm* — Lee & Hayes, PLLC

(57) **CLAIM**

The ornamental design for a keypad, as shown and described.

**DESCRIPTION**

The patent or application file contains at least one drawing executed in color. Copies of this patent or patent application publication with color drawing(s) will be provided by the Office upon request and payment of the necessary fee.

FIG. 1 is a perspective view of a first embodiment of a keypad, taken from above;

FIG. 2 is a top plan view of the first embodiment of the keypad of FIG. 1, taken from below;

FIG. 3 is a bottom plan view of the first embodiment of the keypad of FIG. 1;

FIG. 4 is a left-side view of the first embodiment of the keypad of FIG. 1;

FIG. 5 is a right-side view of the first embodiment of the keypad of FIG. 1;

FIG. 6 is a front view of the first embodiment of the keypad of FIG. 1;

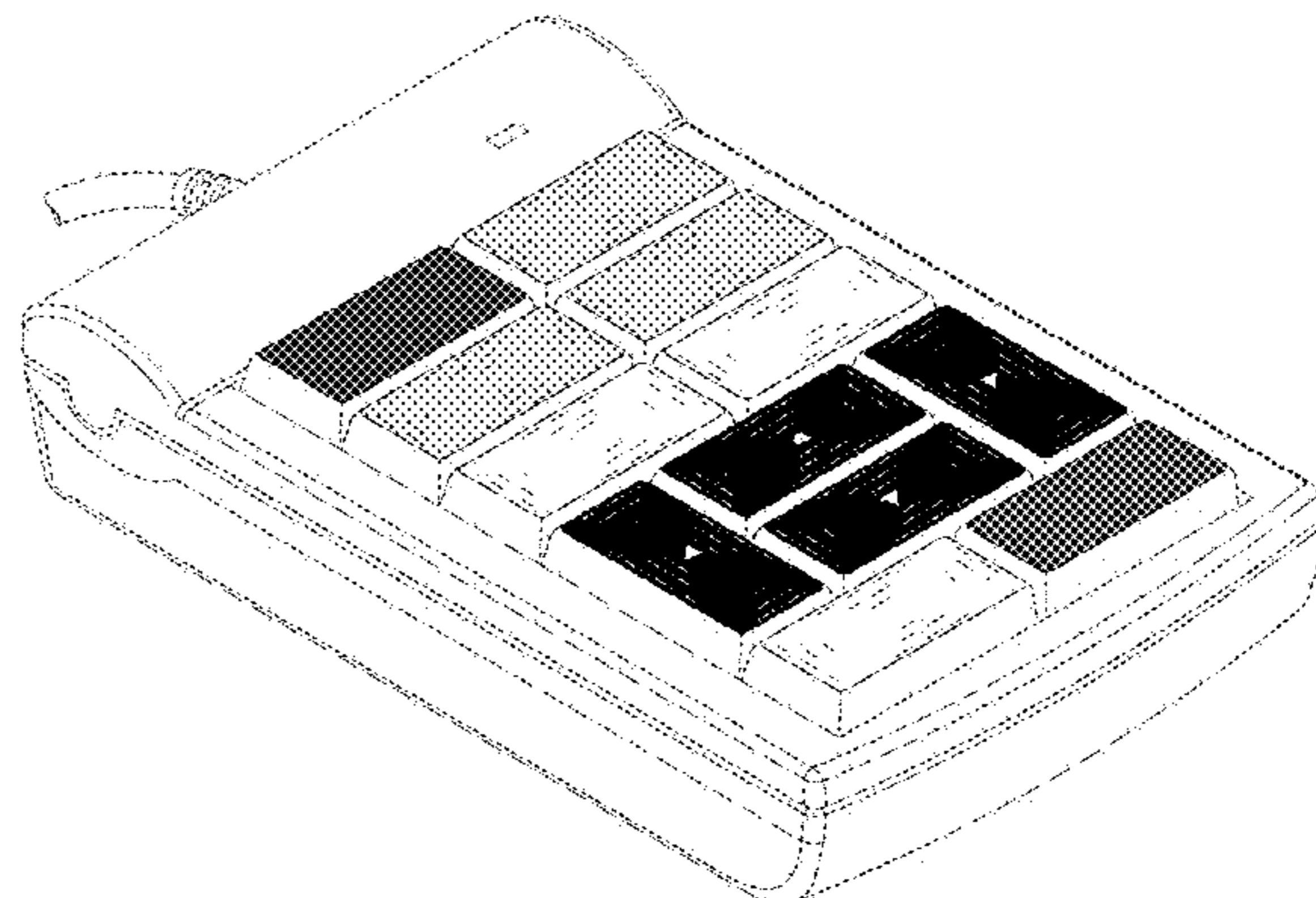
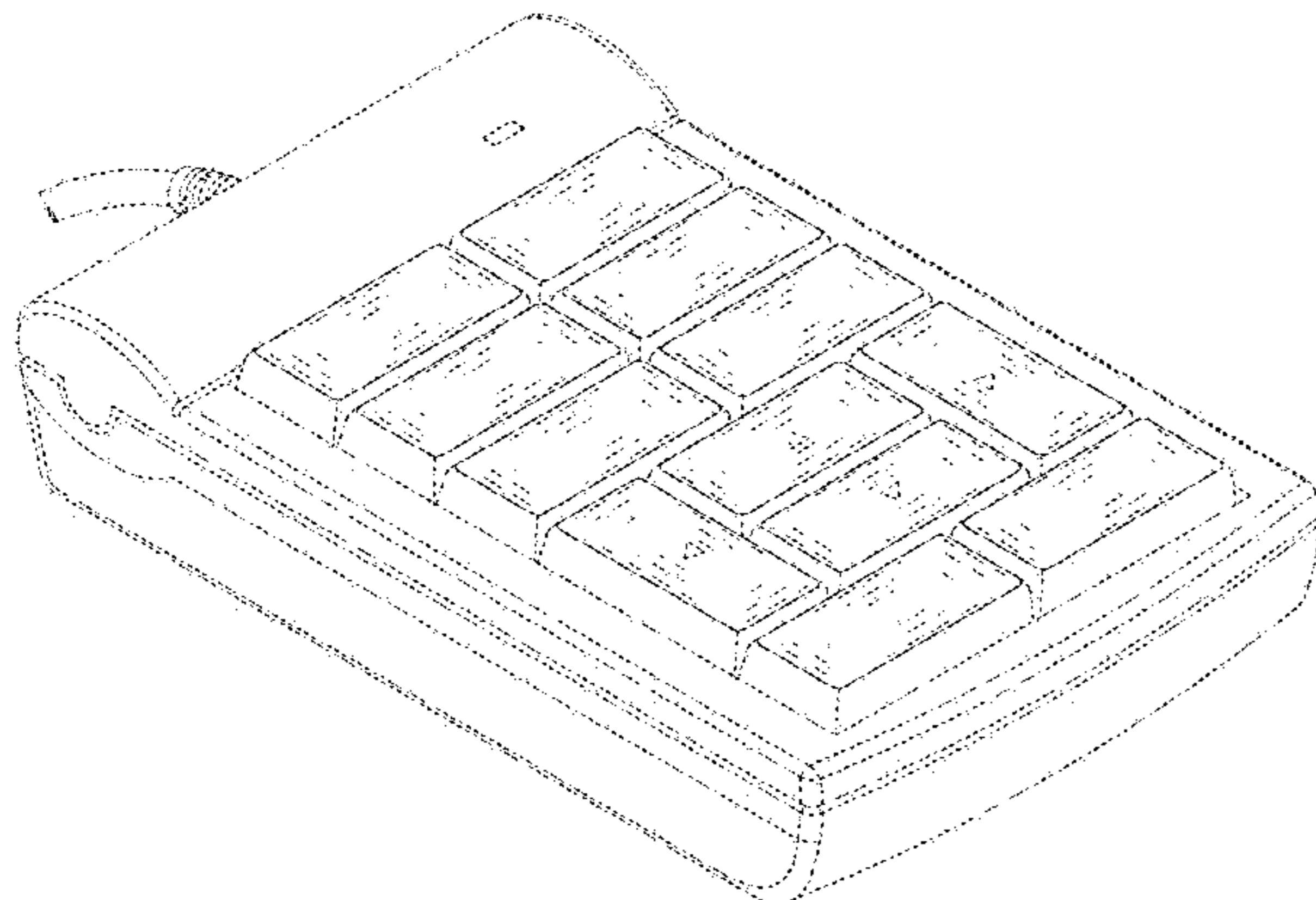
FIG. 7 is a back view of the first embodiment of the electronic device adapter of FIG. 1;

FIG. 8 is a perspective view of a second embodiment of a keypad, taken from above. The second embodiment includes illustrations identical to the views illustrated in FIGS. 3-5 and 7 shown above; and,

FIG. 9 is a top plan view of the second embodiment of the keypad of FIG. 8.

The broken lines in the drawings depict parts of the keypad that form no part of the claimed design.

**1 Claim, 7 Drawing Sheets**  
**(2 of 7 Drawing Sheet(s) Filed in Color)**



(58) **Field of Classification Search**

CPC .... G06F 15/02; G06F 15/0216; G06F 15/025;  
 G06F 15/0225; G06F 15/0258; G06F  
 1/1671; G06F 1/02; G06F 7/544; G06F  
 7/60; G06F 3/04883; G06F  
 3/04812; G09B 19/025

See application file for complete search history.

(56) **References Cited**

U.S. PATENT DOCUMENTS

3,302,875 A \* 2/1967 Kollmann et al. .... G06C 15/08  
 235/60 M  
 3,405,392 A \* 10/1968 Milne ..... G06F 3/0227  
 400/124.28  
 3,597,600 A \* 8/1971 Herendeen ..... H03M 11/16  
 341/22  
 3,613,990 A \* 10/1971 Machmer ..... G06C 15/08  
 235/145 R  
 3,645,441 A \* 2/1972 De Sandre ..... G06F 3/0238  
 235/145 R

3,819,921 A \* 6/1974 Kilby ..... G06F 15/02  
 708/173  
 4,028,538 A \* 6/1977 Olander, Jr. .... G06F 15/0233  
 708/146  
 D286,047 S \* 10/1986 Roots ..... D14/399  
 D329,848 S \* 9/1992 Mizusugi ..... D14/399  
 D337,106 S \* 7/1993 Jasinski ..... D14/399  
 D341,360 S \* 11/1993 Yamazaki ..... D14/399  
 D347,835 S \* 6/1994 Zarnowitz ..... D14/399  
 D371,777 S \* 7/1996 Wolf ..... D14/399  
 D384,101 S \* 9/1997 Osiecki ..... D18/6  
 6,061,446 A \* 5/2000 Lester ..... G06F 3/0395  
 379/368  
 D440,566 S \* 4/2001 Chou ..... D14/391  
 D448,746 S \* 10/2001 Gorman ..... D14/151  
 D491,945 S \* 6/2004 Sheehan ..... D14/399  
 D554,648 S \* 11/2007 Massaro ..... D14/315  
 D570,855 S \* 6/2008 Massaro ..... D14/455  
 D604,301 S \* 11/2009 Manalo ..... D14/399  
 D620,380 S \* 7/2010 Hwang ..... D10/104.1  
 D691,607 S \* 10/2013 Kim ..... D14/399  
 2012/0215953 A1 \* 8/2012 Kosmach ..... H01H 13/83  
 710/67

\* cited by examiner

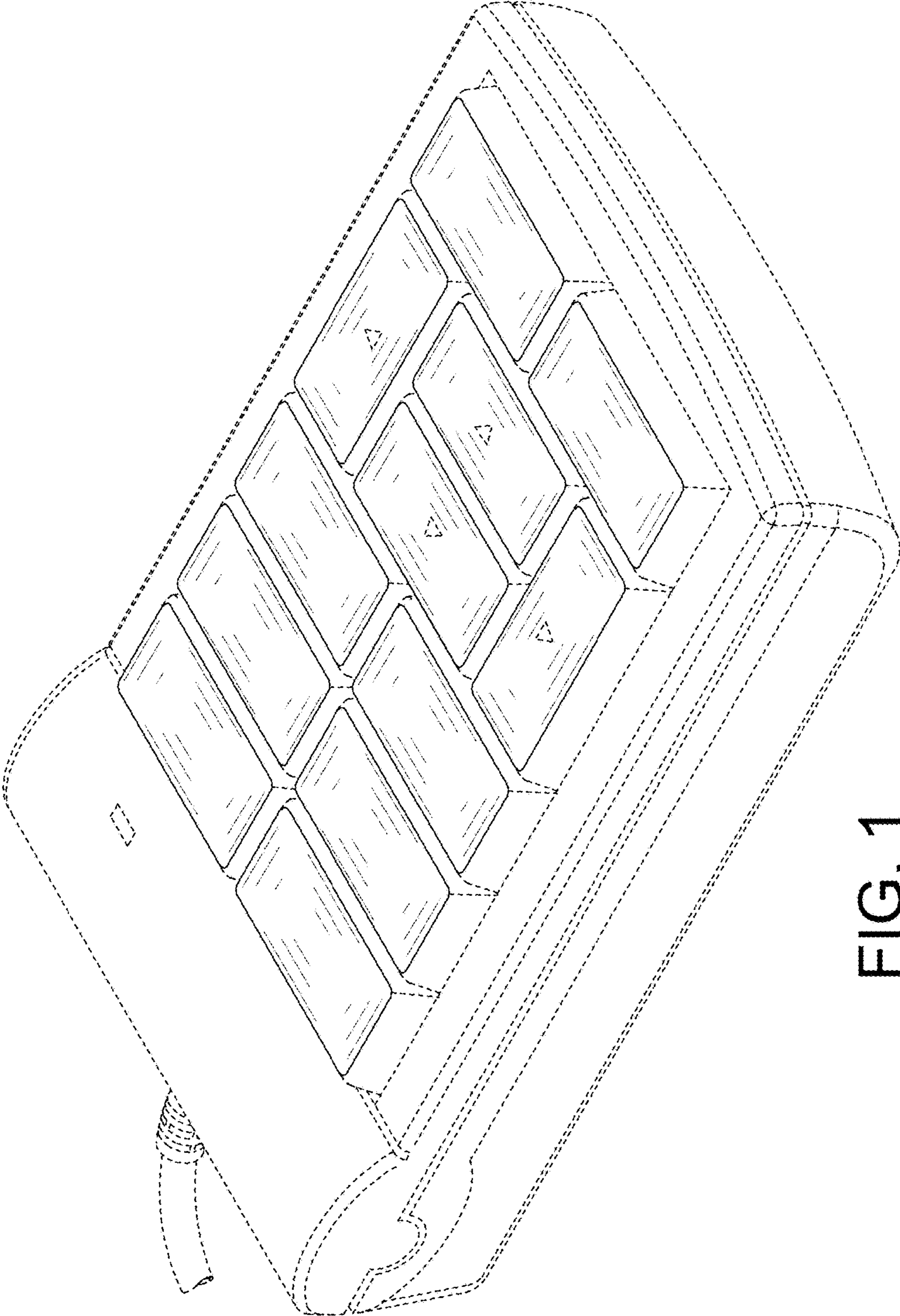


FIG. 1

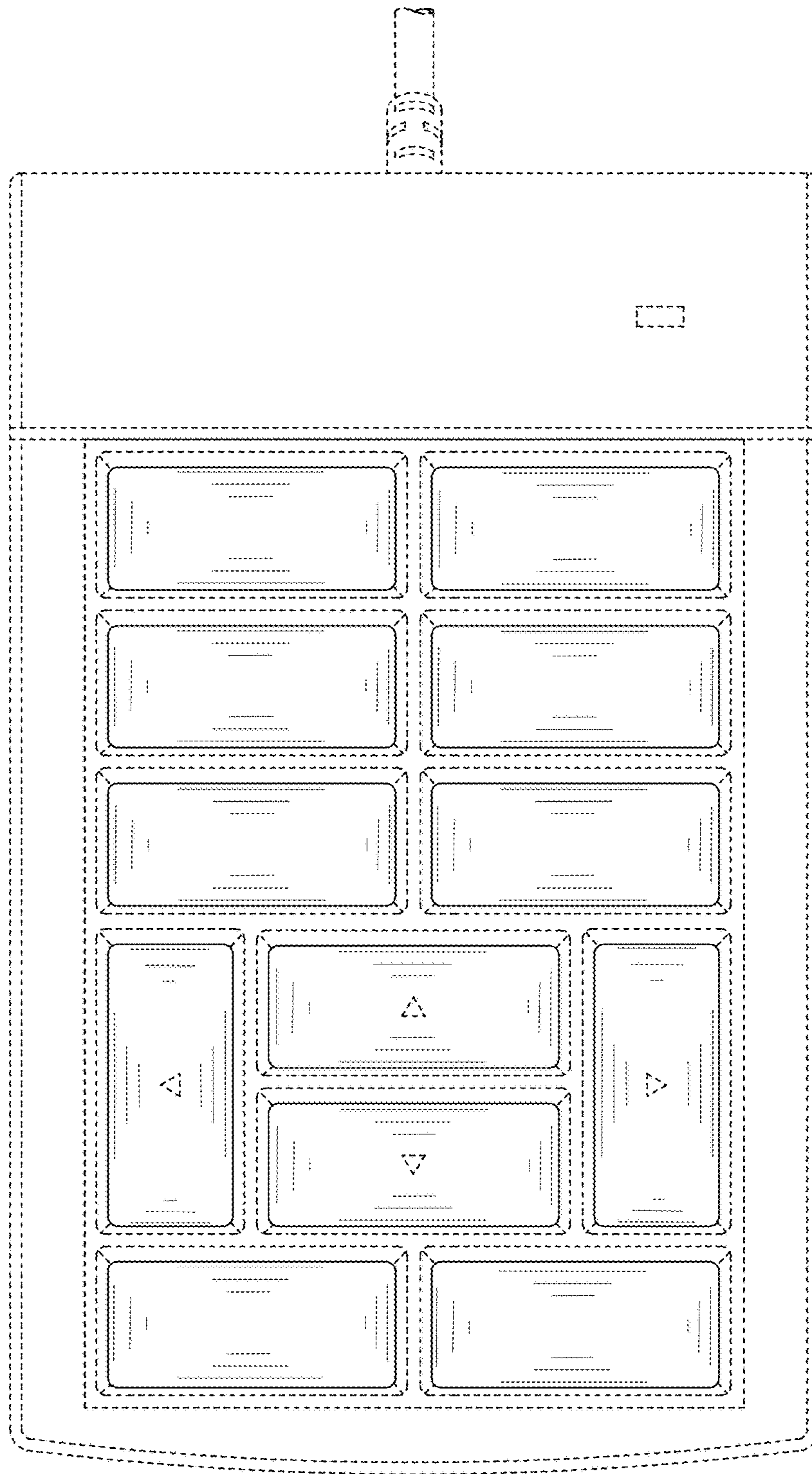


FIG. 2

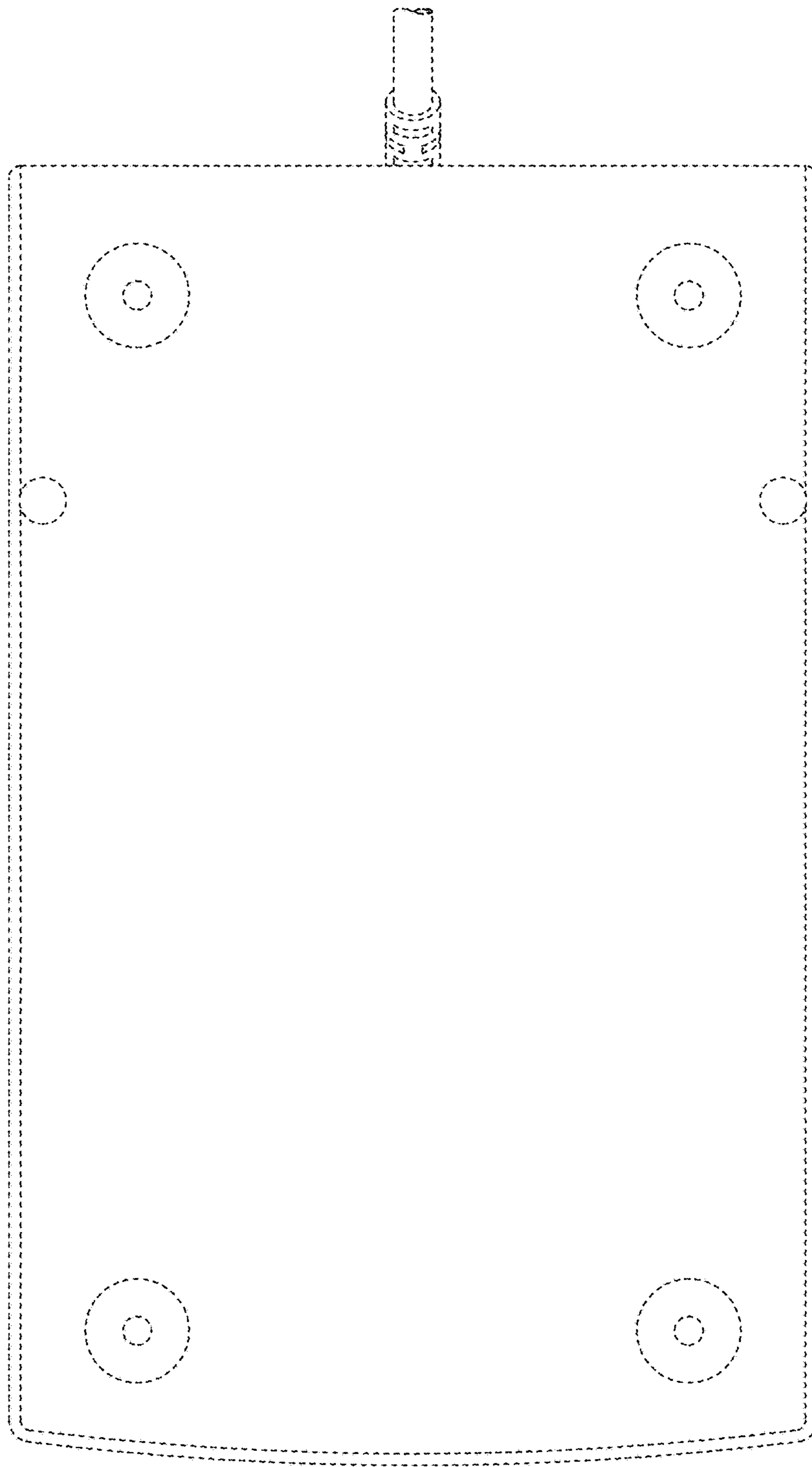


FIG. 3

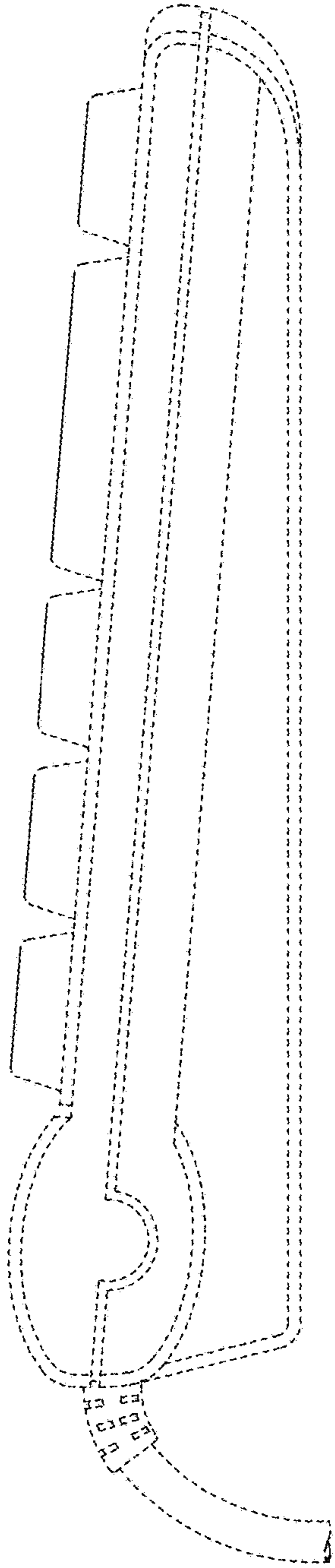


FIG. 4

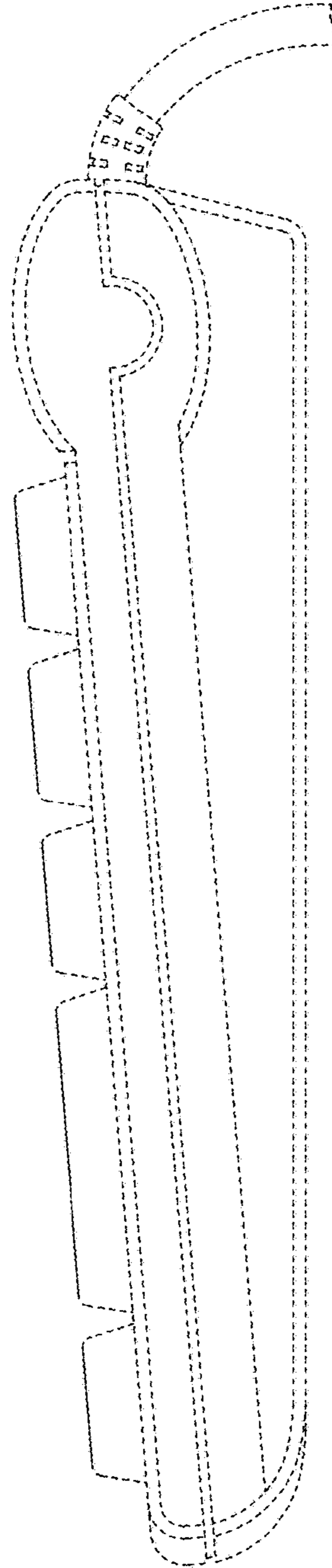


FIG. 5

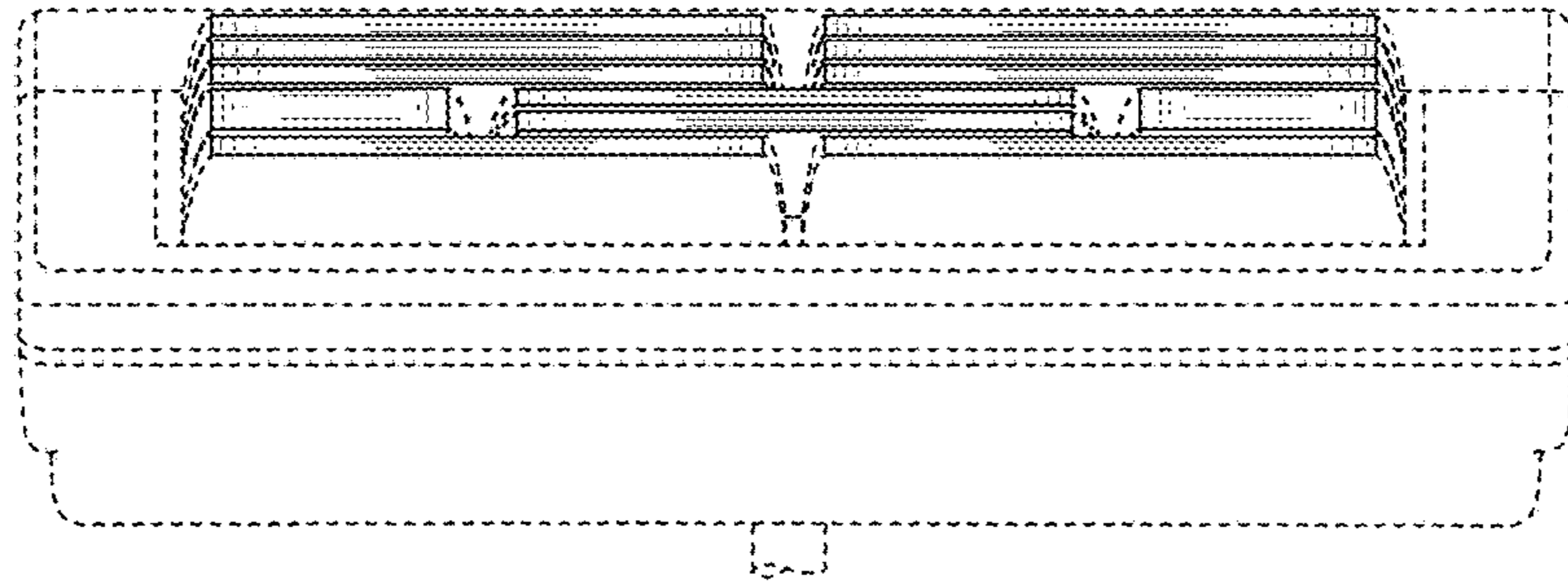


FIG. 6

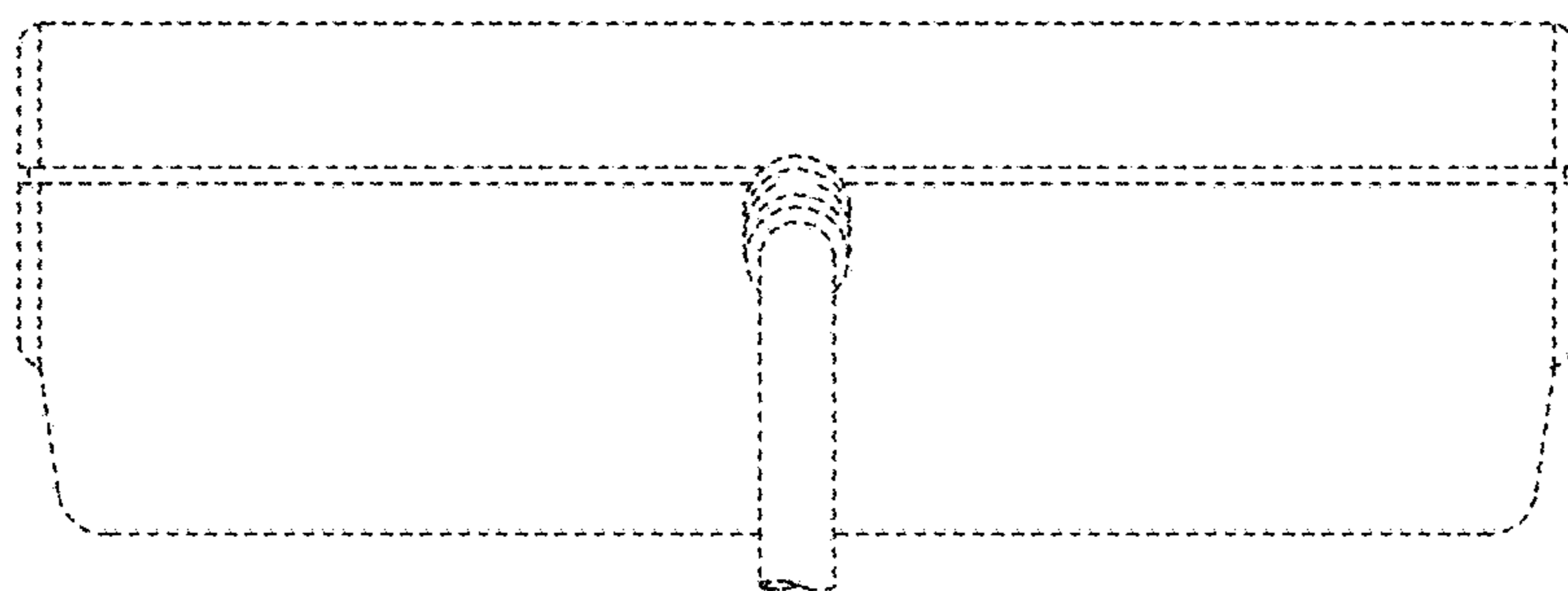


FIG. 7

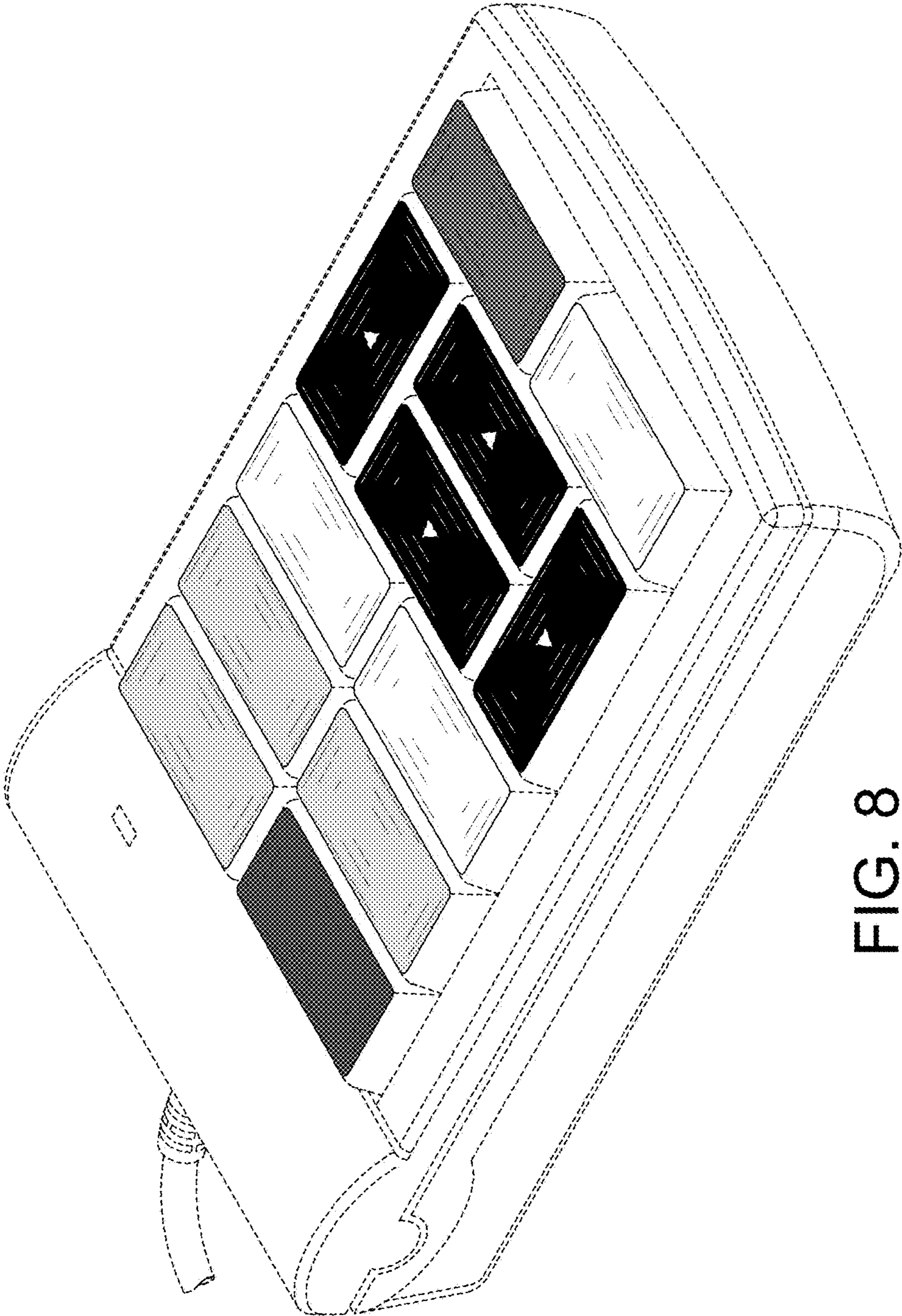


FIG. 8



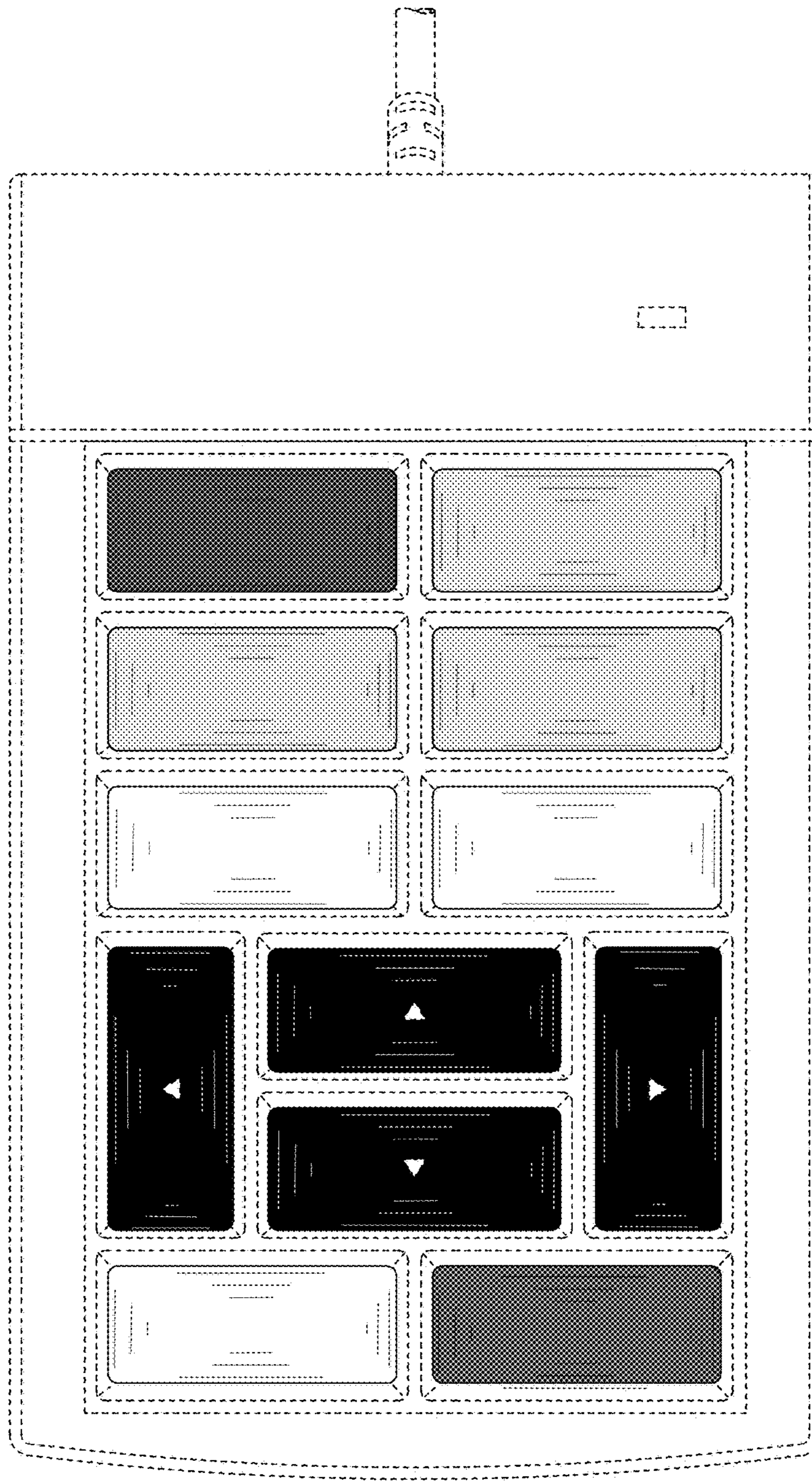


FIG. 9