



US00D774029S

(12) **United States Design Patent** (10) **Patent No.:** **US D774,029 S**
Kim et al. (45) **Date of Patent:** **** Dec. 13, 2016**

(54) **KIOSK**
(71) Applicant: **Samsung Electronics Co., Ltd.**,
Suwon-si, Gyeonggi-do (KR)
(72) Inventors: **Taeyoun Kim**, Yongin-si (KR); **Euiju Lee**, Guri-si (KR); **Jungsoo Na**,
Suwon-si (KR); **Sangho Park**, Seoul
(KR)
(73) Assignee: **SAMSUNG ELECTRONICS CO., LTD.**, Suwon-Si, Gyeonggi-Do (KR)

D727,308 S * 4/2015 Kraft D14/307
D728,557 S * 5/2015 Soares D14/307
D730,890 S * 6/2015 Kraft D14/307
D732,015 S * 6/2015 Alekhin D14/307
D732,520 S * 6/2015 Themann D14/307
D732,522 S * 6/2015 Chadbourne D14/307
D737,808 S * 9/2015 Naumann D14/307
D738,366 S * 9/2015 Kraft D14/307
D742,870 S * 11/2015 Berini D14/307
D743,956 S * 11/2015 Kraft D14/307

(Continued)

(**) Term: **15 Years**
(21) Appl. No.: **29/530,789**
(22) Filed: **Jun. 19, 2015**

EM 001359889-0001 1/2013
KR 30-0638201 3/2012
KR 30-0660038 11/2012

Primary Examiner — Austin Murphy
(74) *Attorney, Agent, or Firm* — Ladas & Parry LLP

(30) **Foreign Application Priority Data**

(57) **CLAIM**

Dec. 22, 2014 (KR) 30-2014-0062521

We claim the ornamental design for the kiosk, as shown and described.

(51) **LOC (10) Cl.** **14-02**

DESCRIPTION

(52) **U.S. Cl.**
USPC **D14/307**

(58) **Field of Classification Search**
USPC D14/302, 303, 304, 305, 306, 307,
900,D14/902; D13/163, 162; 187/395,
396; 361/679.02, 679.21; D20/10;
D21/332, D21/325; D10/108
CPC G06Q 20/18; G06Q 20/10; G06Q 20/123;
G06Q 20/20; G06Q 30/02; G06Q 30/06;
A47F 9/047
See application file for complete search history.

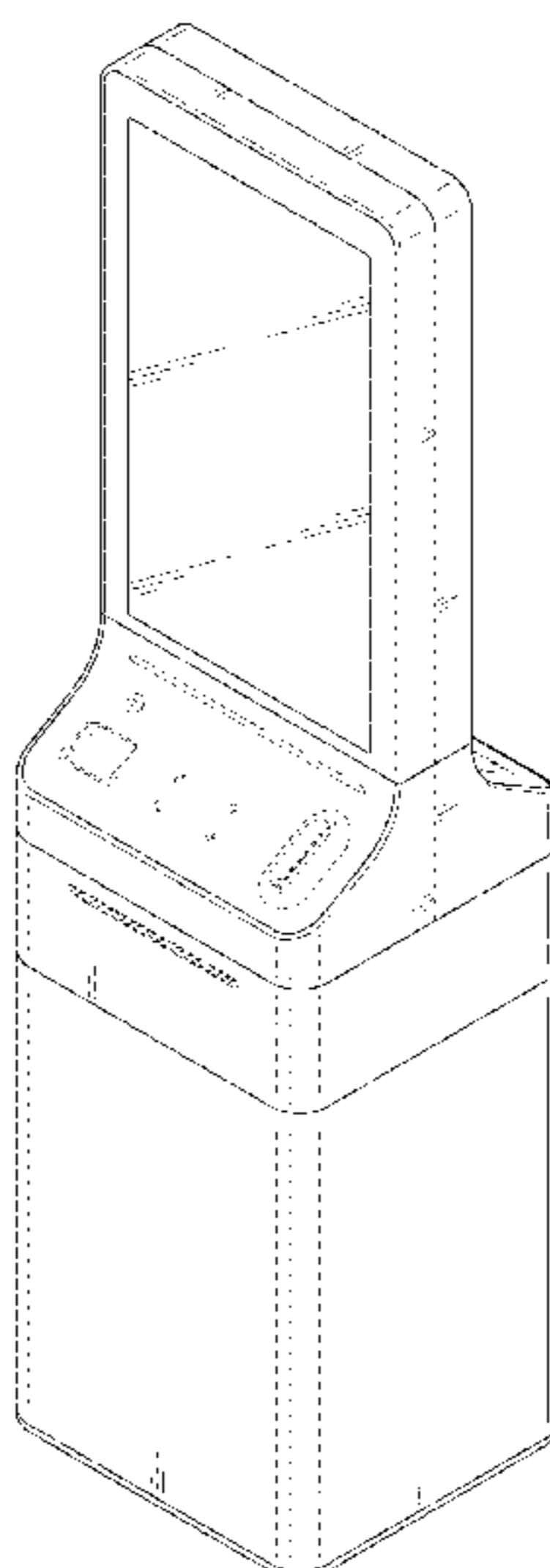
FIG. 1 is a front perspective view a first embodiment of a kiosk showing our new design;
FIG. 2 is a front elevational view thereof;
FIG. 3 is a rear elevational view thereof;
FIG. 4 is a left-side elevational view thereof;
FIG. 5 is a right-side elevational view thereof;
FIG. 6 is a top plan view thereof;
FIG. 7 is a bottom plan view thereof;
FIG. 8 is an exploded view thereof;
FIG. 9 is a front perspective view of a second embodiment of the design without the lowest unit; and,
FIG. 10 is a front perspective view of a third embodiment of the design which may be placed against a wall.
The broken lines in the figures represent unclaimed portions of the kiosk and form no part of the claimed design.

(56) **References Cited**

U.S. PATENT DOCUMENTS

D717,785 S * 11/2014 Winston D14/307
D722,313 S * 2/2015 Birgeoglu D14/307
D723,026 S * 2/2015 Birgeoglu D14/307
D726,706 S * 4/2015 Kraft D14/307

1 Claim, 10 Drawing Sheets



(56)

References Cited

U.S. PATENT DOCUMENTS

D751,061 S * 3/2016 Berini D14/307
D752,032 S * 3/2016 Taylor D14/307

* cited by examiner

FIG. 1

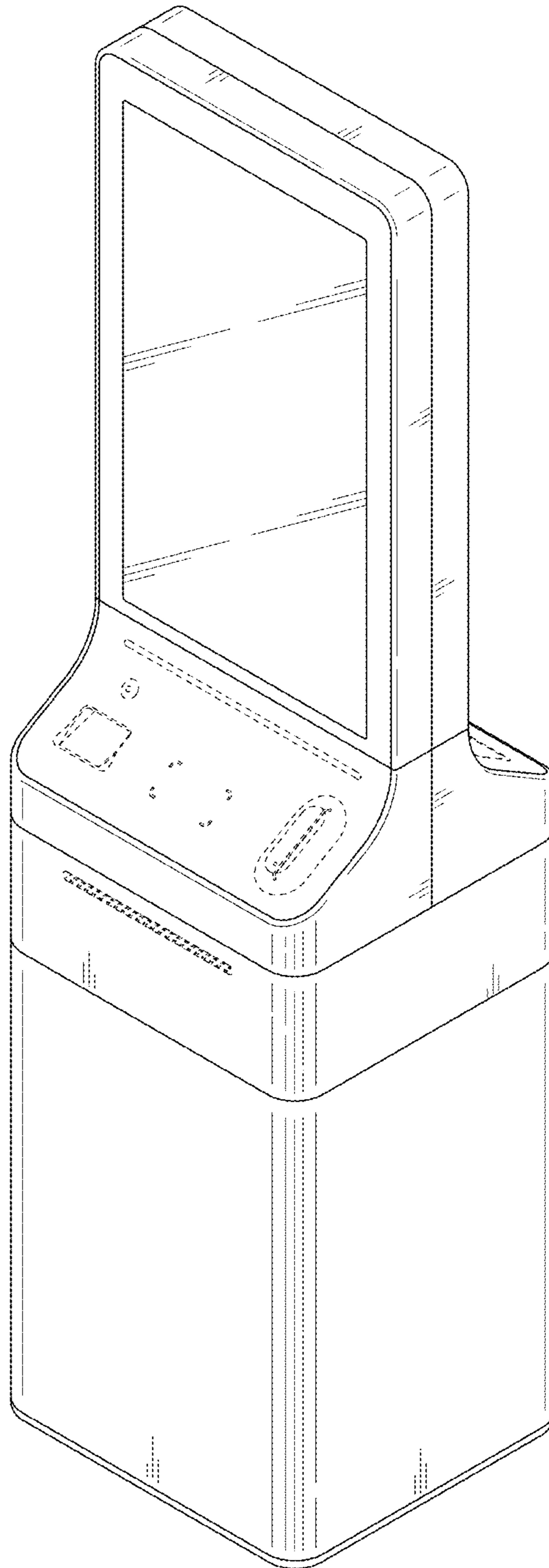


FIG. 2

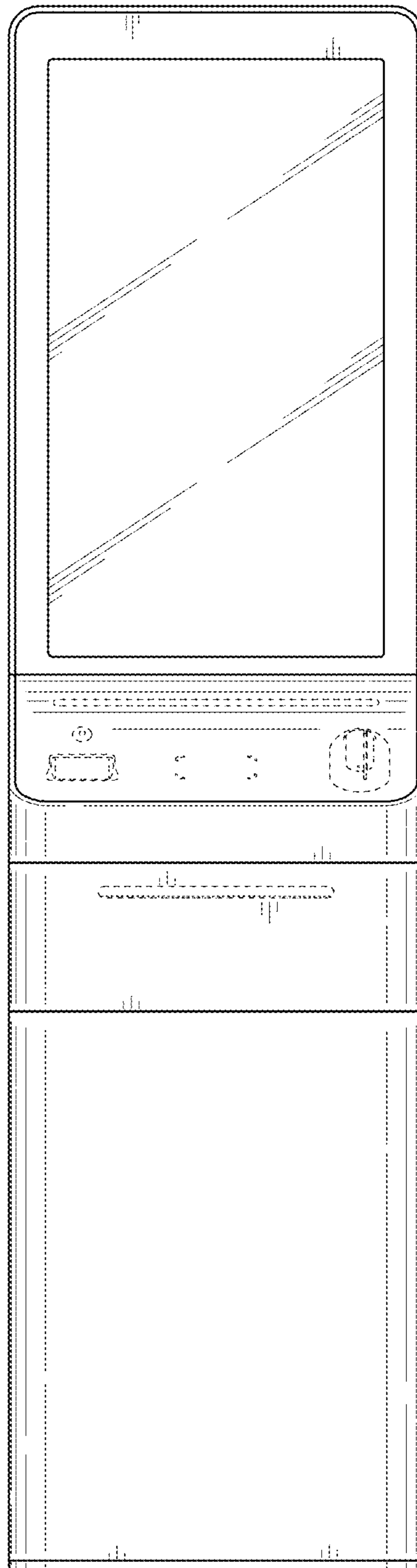


FIG. 3

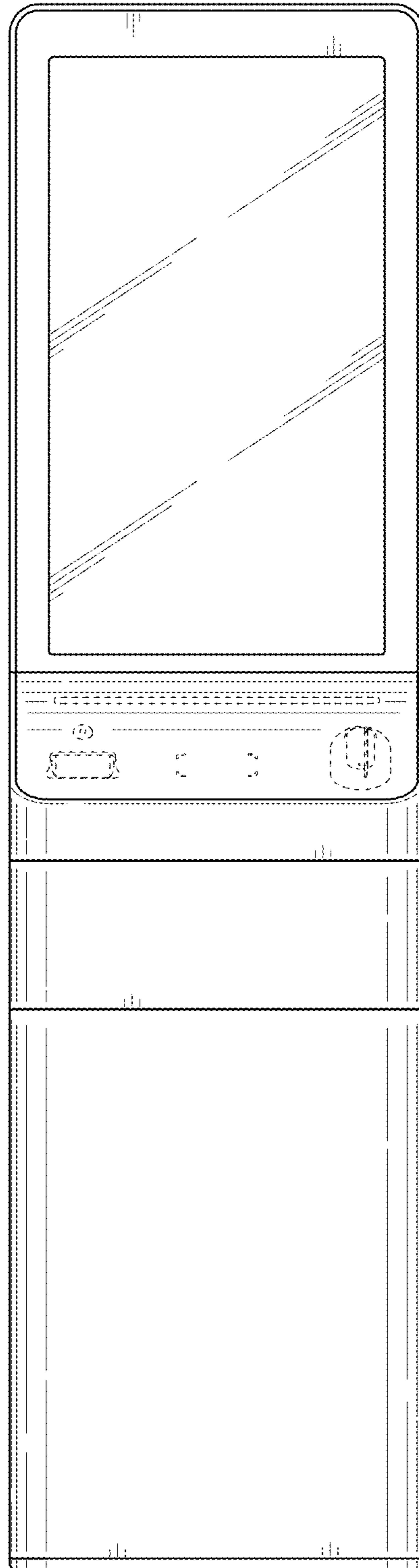


FIG. 4

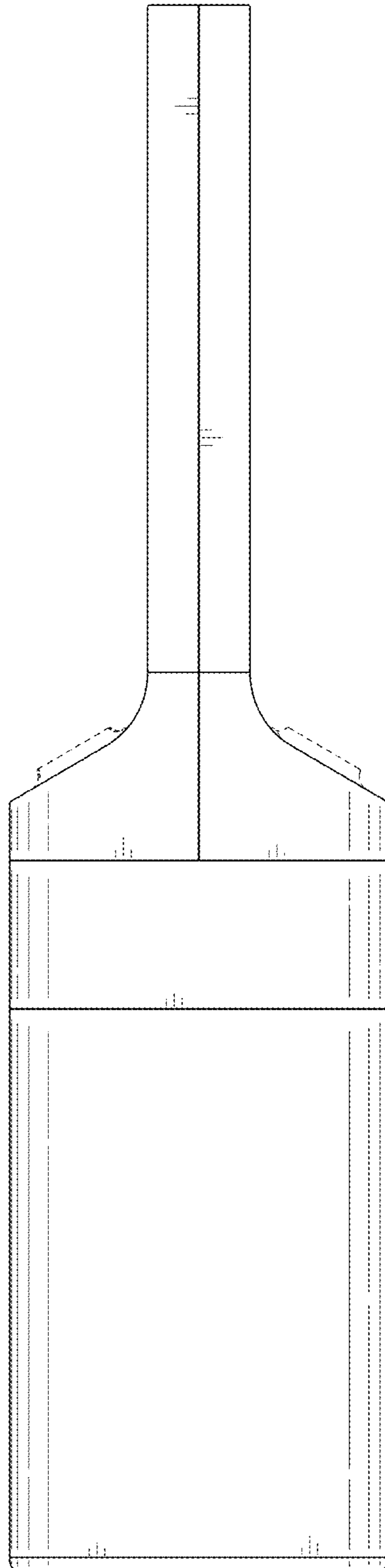


FIG. 5

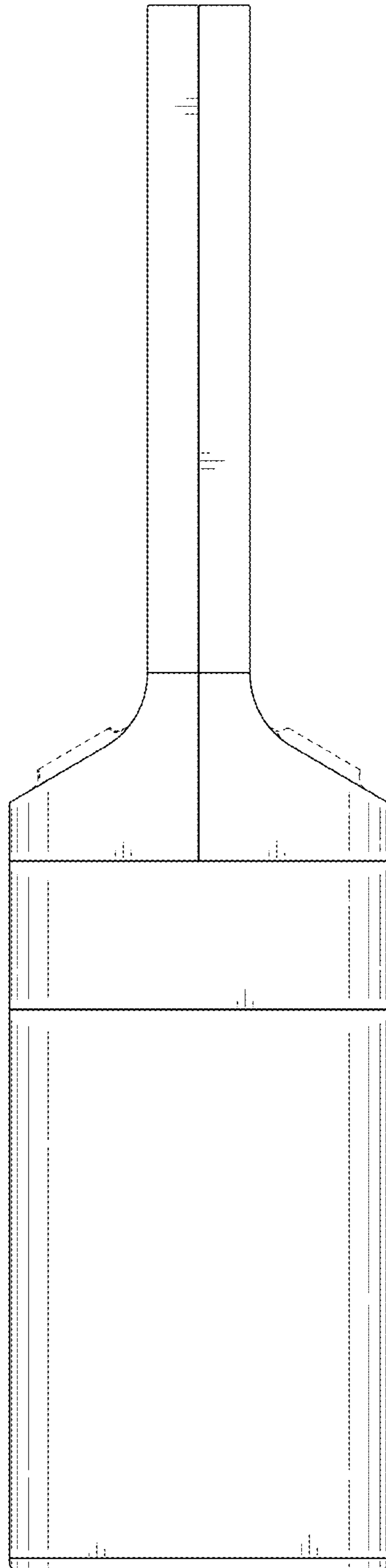


FIG. 6

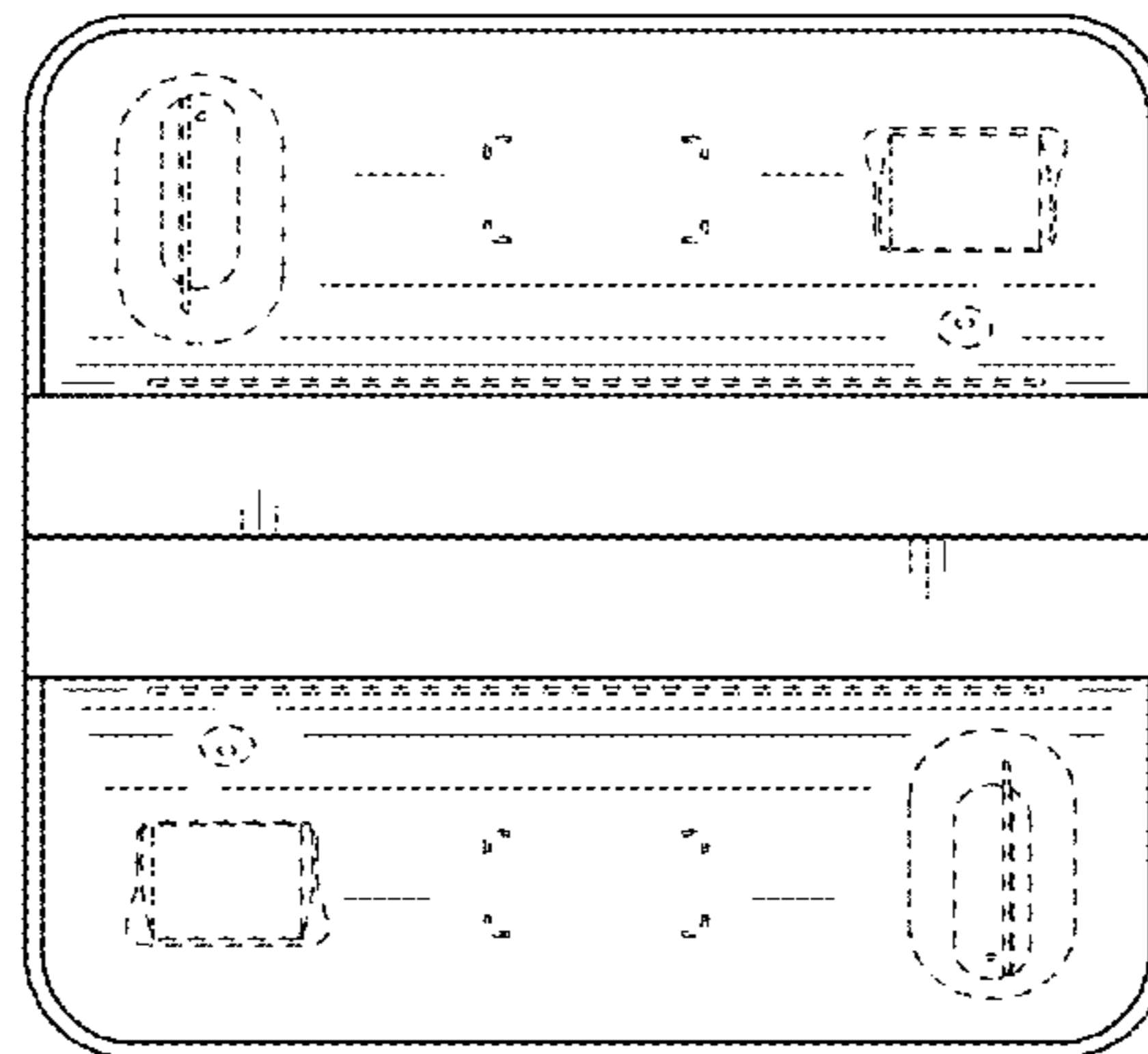


FIG. 7

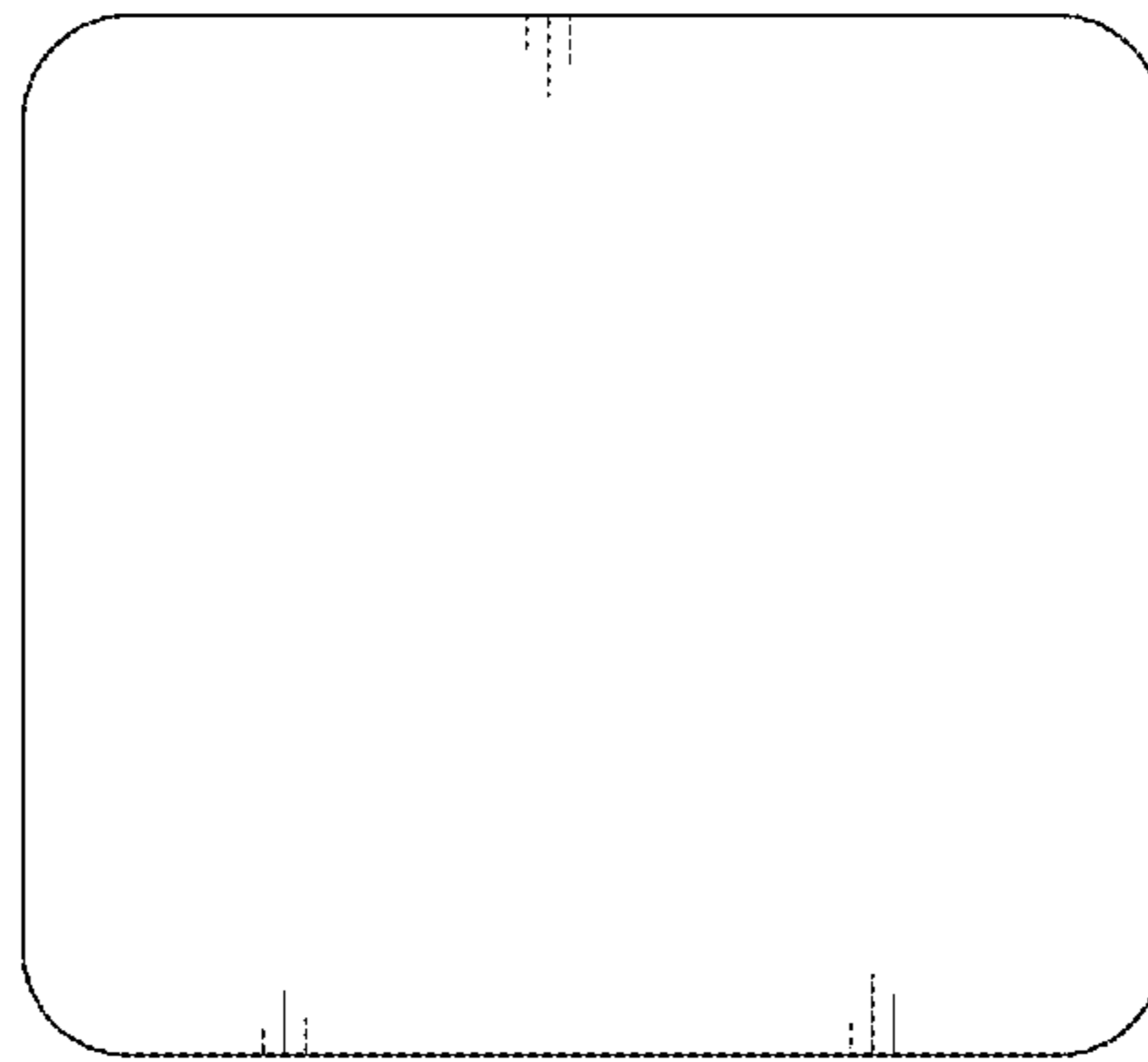


FIG. 8

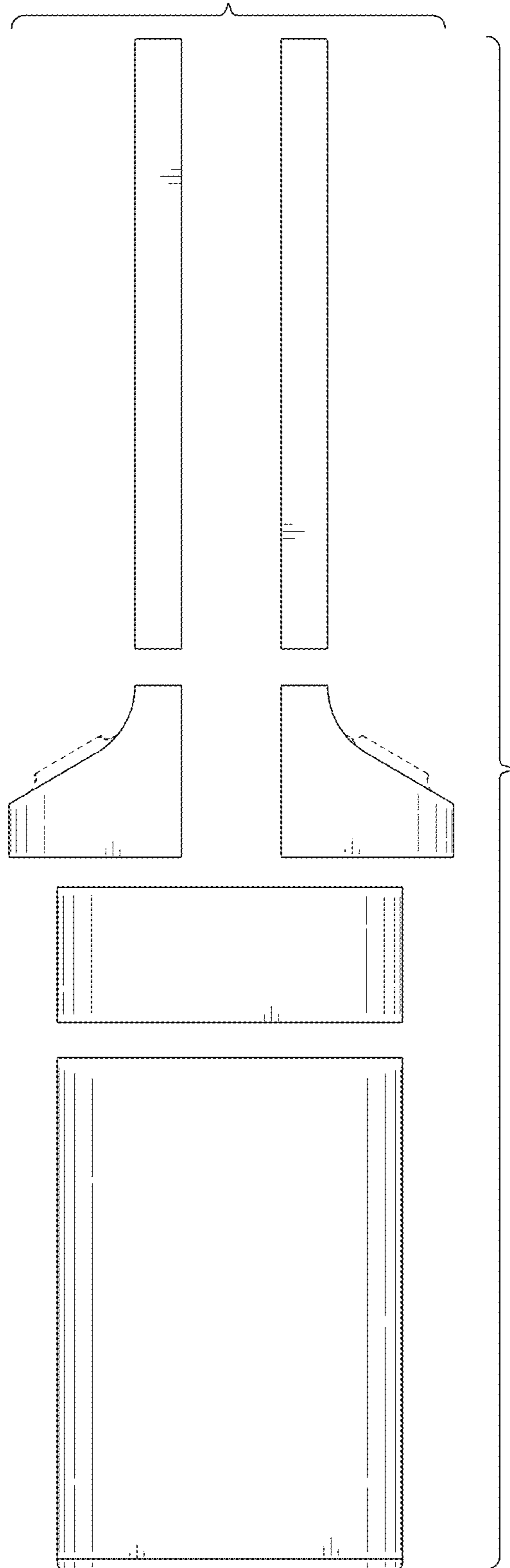


FIG. 9

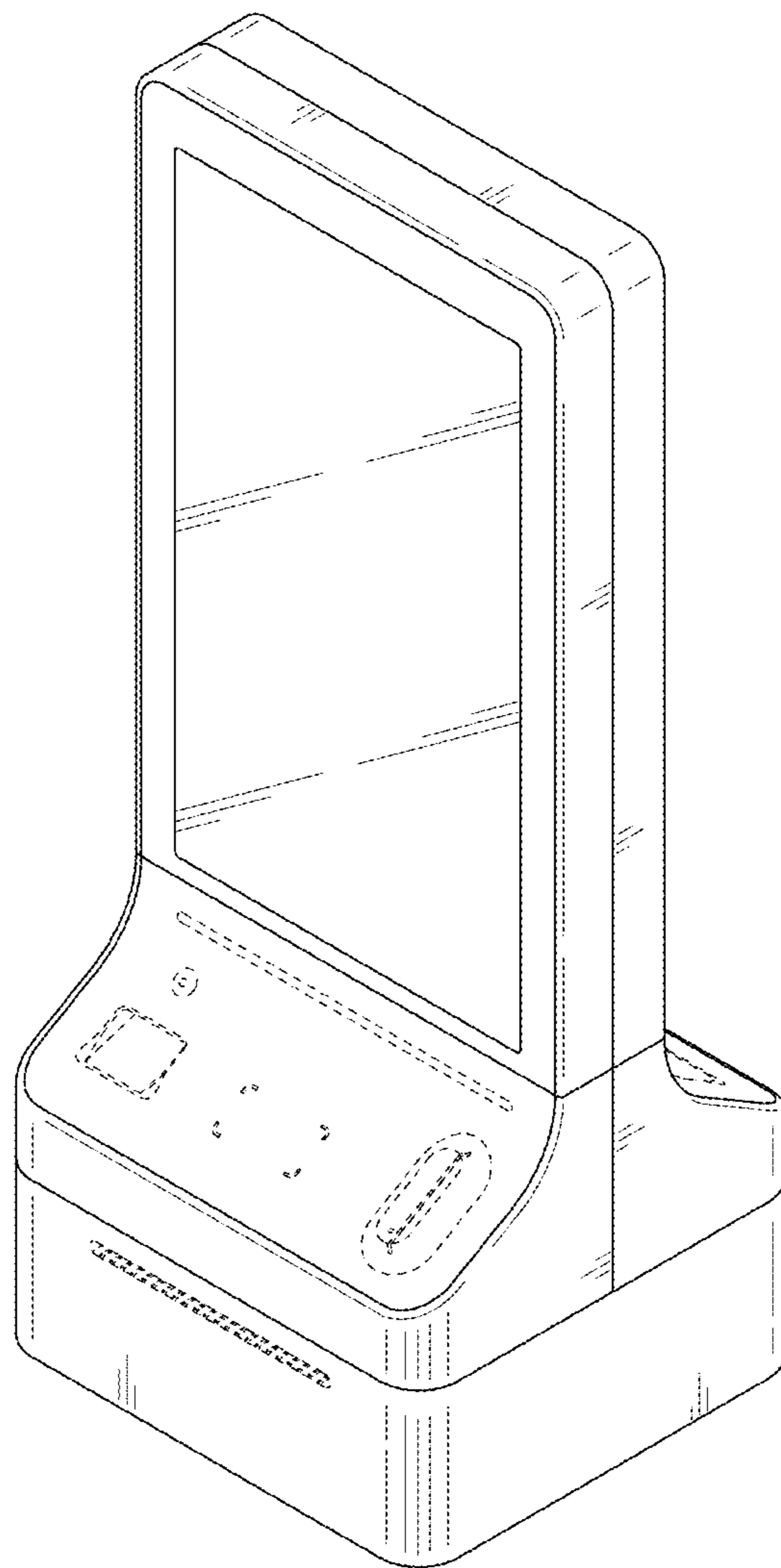


FIG. 10

