



US00D774028S

(12) **United States Design Patent**
Laycock

(10) **Patent No.:** **US D774,028 S**

(45) **Date of Patent:** **** Dec. 13, 2016**

(54) **LARGE SCREEN, SCALABLE AND
ERGONOMIC CONTROL CONSOLE**

(71) Applicant: **Honeywell International Inc.,
Morristown, NJ (US)**

(72) Inventor: **Graeme Laycock, Hunters Hill (AU)**

(73) Assignee: **Honeywell International Inc., Morris
Plains, NJ (US)**

(**) Term: **14 Years**

(21) Appl. No.: **29/501,127**

(22) Filed: **Sep. 2, 2014**

(51) **LOC (10) Cl.** **14-02**

(52) **U.S. Cl.**
USPC **D14/306**

(58) **Field of Classification Search**
USPC D14/302-307; D13/163; D12/319;
D6/641-644, 643.1, 653, 664
CPC A47B 21/00; A47B 21/06; A47B 13/08;
A47B 35/00; A47B 21/0314; A47B
17/003; A47B 83/001
See application file for complete search history.

(56) **References Cited**

U.S. PATENT DOCUMENTS

- 4,113,331 A * 9/1978 Derdzinski A47B 17/003
211/134
- 5,416,666 A * 5/1995 Maguire, Jr. A47B 21/00
108/50.01
- D372,226 S * 7/1996 Maguire, Jr. D14/127
- D374,432 S * 10/1996 Maquire, Jr. D14/127
- D401,227 S * 11/1998 Catta D14/305
- D424,324 S * 5/2000 Atkins D6/641
- D438,401 S * 3/2001 Lechman D6/644

- D487,434 S * 3/2004 Monson D14/126
- D532,990 S * 12/2006 Sapp D14/305
- D610,105 S * 2/2010 Graham D14/127
- D650,777 S * 12/2011 Suzuki D14/306
- D673,943 S * 1/2013 Huertas Moya D14/305
- D673,944 S * 1/2013 Huertas Moya D14/306
- 2005/0217540 A1* 10/2005 Novak A47B 83/001
108/50.01
- 2006/0065167 A1* 3/2006 Chi A47B 21/0314
108/50.02
- 2013/0255544 A1* 10/2013 Scharing A47B 21/00
108/50.01

* cited by examiner

Primary Examiner — Freda S Nunn

(74) *Attorney, Agent, or Firm* — Kermit D. Lopez; Luis
M. Ortiz; Ortiz & Lopez, PLLC

(57) **CLAIM**

The ornamental design for a large screen, scalable, and ergonomic control console, as shown and described.

DESCRIPTION

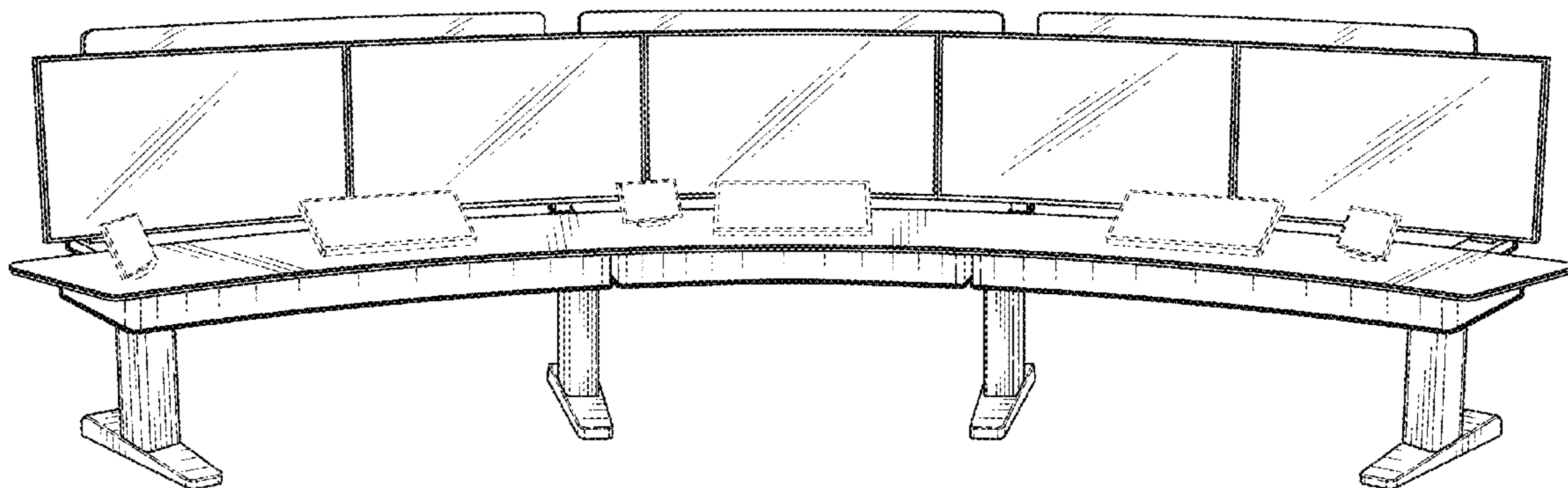
FIG. 1 is a front perspective view of a large screen, scalable, and ergonomic control console wherein the box-like section shown underneath the console table has been lowered to expose the cables;

FIG. 2 is a left side perspective view thereof wherein the undisclosed right side is similar to the right side shown in FIG. 4;

FIG. 3 is a back side perspective view thereof; and, FIG. 4 is another front perspective view thereof shown in an extended configuration wherein the undisclosed back side is an extended version of that shown in FIG. 3.

The small electronic devices/tablets appearing on the top of the console tables in FIGS. 1, 2, and 4 form no part of the claimed design.

1 Claim, 4 Drawing Sheets



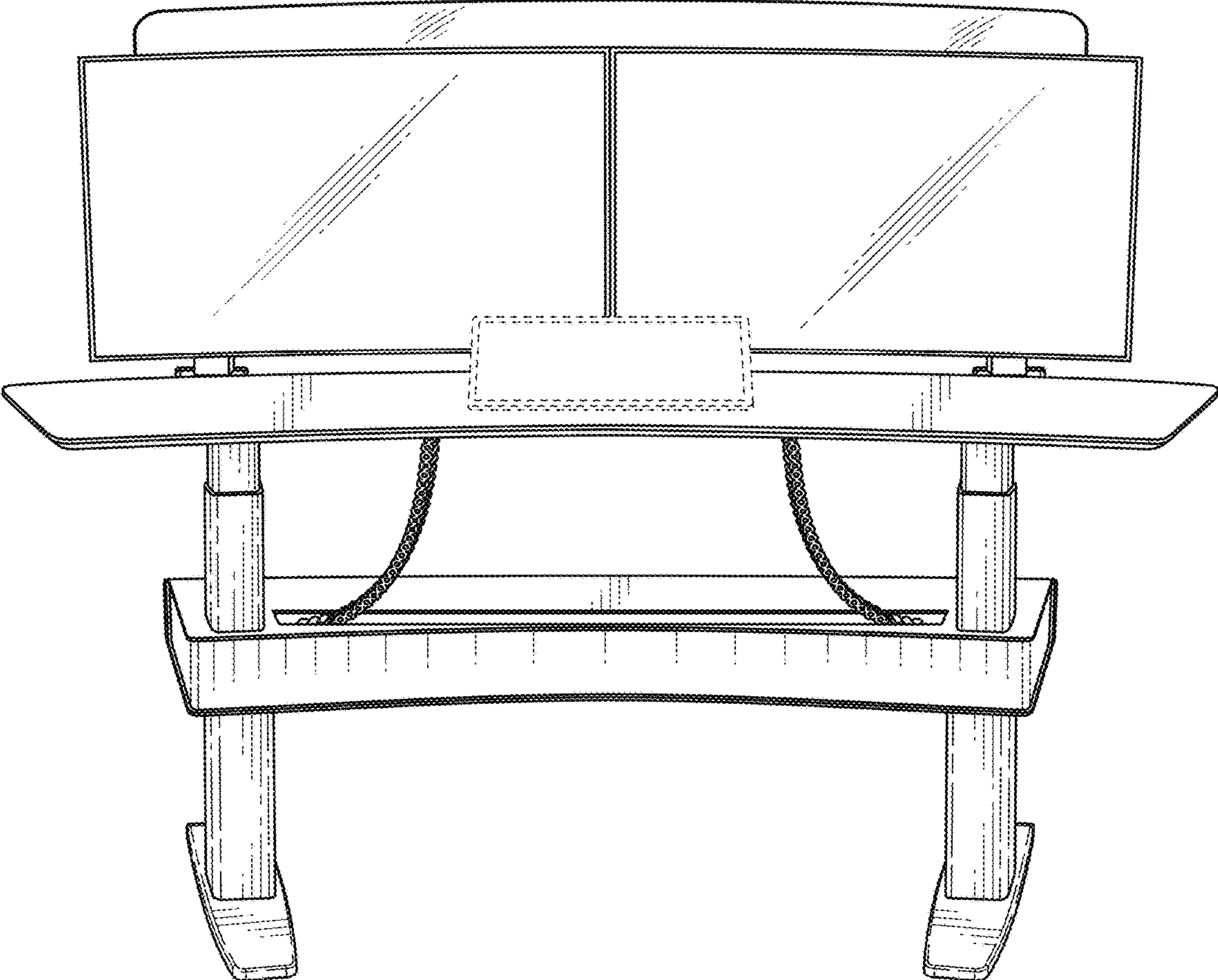


FIG. 1

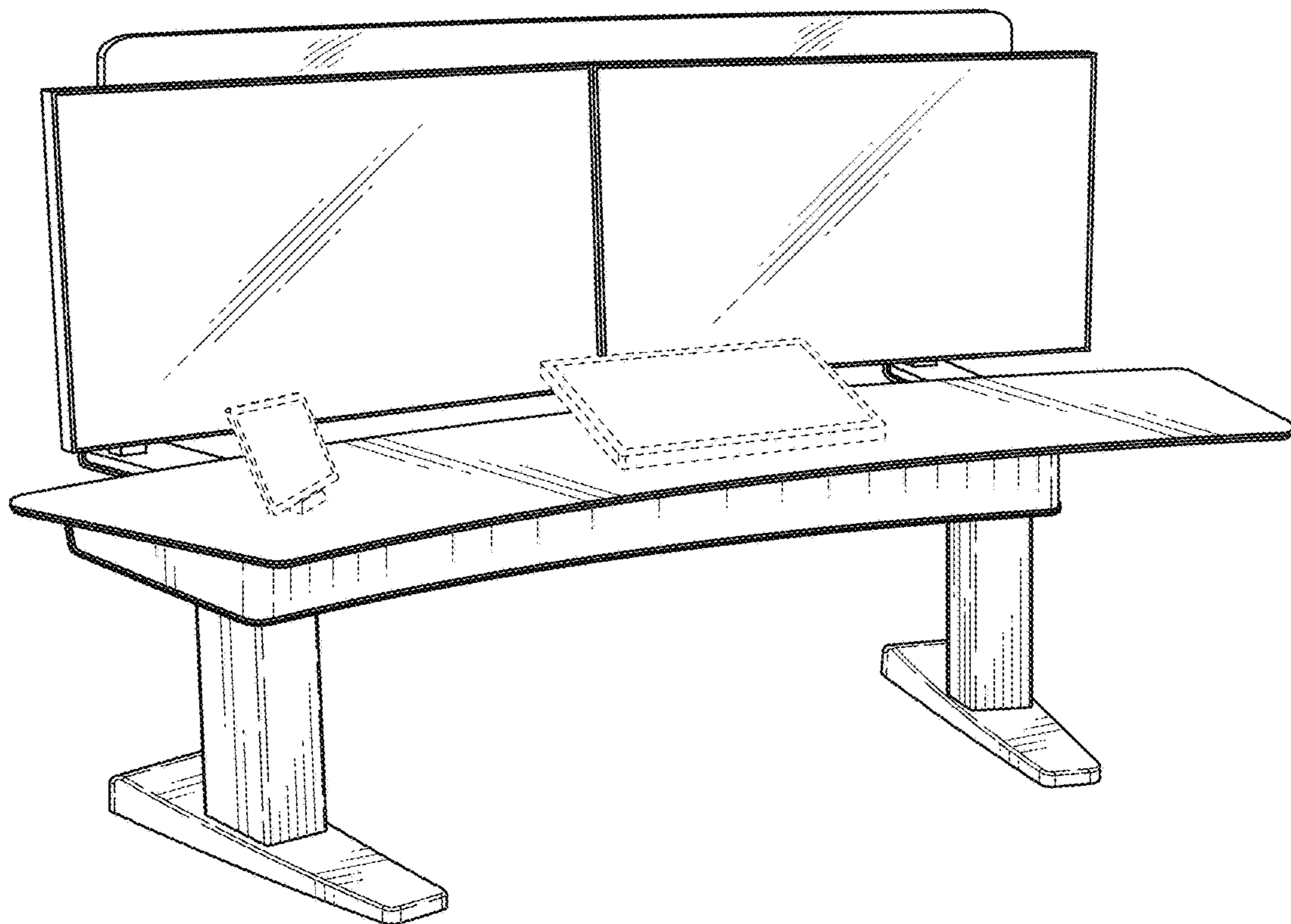


FIG. 2

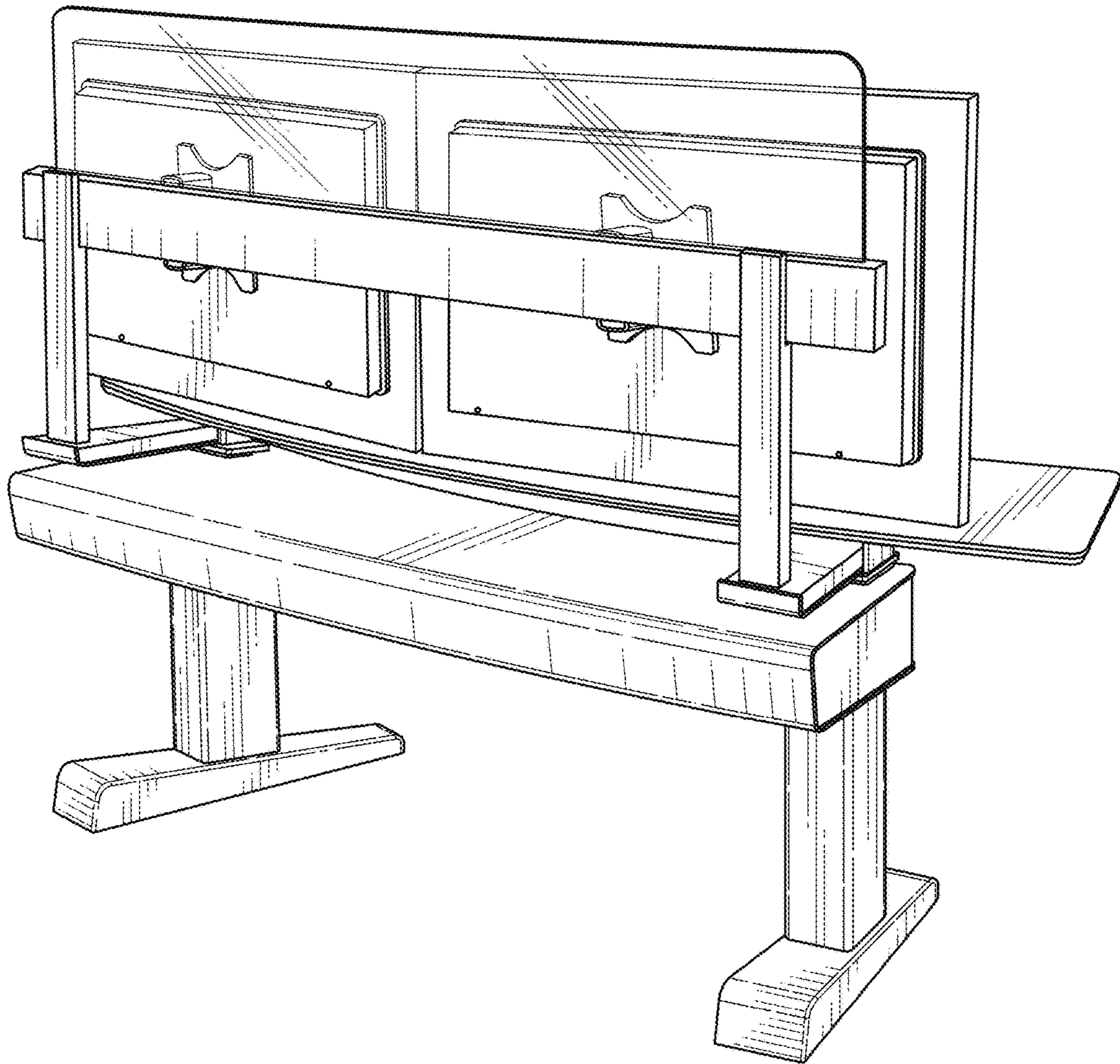


FIG. 3

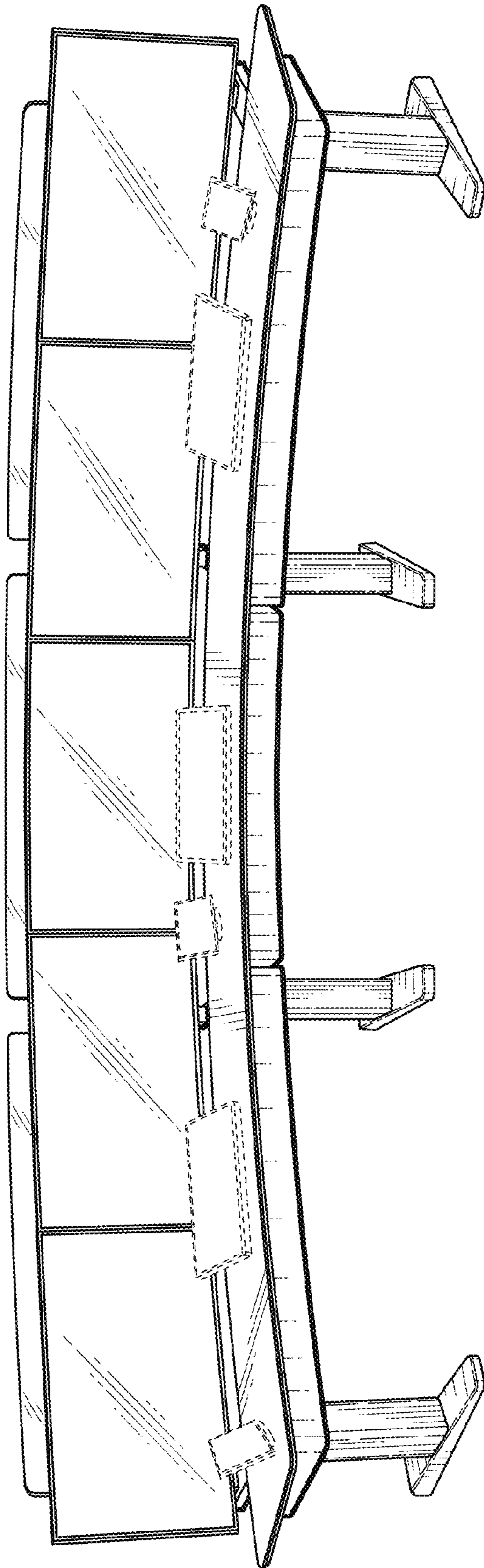


FIG. 4