



US00D774023S

(12) **United States Design Patent** (10) **Patent No.:** **US D774,023 S**
Fariello (45) **Date of Patent:** **** Dec. 13, 2016**

(54) **TRANSCEIVER**
(71) Applicant: **COMMSCOPE TECHNOLOGIES LLC**, Hickory, NC (US)
(72) Inventor: **Patrick Lee Fariello**, Murphy, TX (US)
(73) Assignee: **CommScope Technologies LLC**, Hickory, NC (US)
(**) Term: **14 Years**
(21) Appl. No.: **29/525,705**
(22) Filed: **May 1, 2015**

D460,443 S 7/2002 Brunner et al.
D471,543 S 3/2003 Yang et al.
D508,899 S 8/2005 Suzuki
D530,325 S 10/2006 Kerila et al.
D544,497 S 6/2007 Kindle et al.
D546,295 S 7/2007 Marchetto
D548,731 S 8/2007 Liu et al.
D556,163 S 11/2007 Oota
D559,809 S 1/2008 Oota
D561,750 S 2/2008 Liu et al.
D576,581 S 9/2008 Son et al.
D594,877 S 6/2009 Iino et al.
D598,436 S 8/2009 Tseng
D607,443 S 1/2010 Klein et al.
D609,701 S 2/2010 Hou
D624,915 S 10/2010 Ferreira
D627,345 S 11/2010 Govindasamy et al.

(Continued)

Related U.S. Application Data

(62) Division of application No. 29/438,557, filed on Nov. 30, 2012, now Pat. No. Des. 732,512.
(51) **LOC (10) Cl.** **14-03**
(52) **U.S. Cl.**
USPC **D14/230**; D14/358
(58) **Field of Classification Search**
USPC D14/230–238, 299, 358, 356, 240, 242;
343/700 R, 840, 841, 908; 455/3.02,
455/FOR. 215, 575.2
CPC H01Q 7/00; H01Q 13/10; H01Q 9/285;
H01Q 19/30; H01Q 19/12; H01Q 1/38;
H01Q 1/36; H04B 1/0475; H04B 1/034;
H05K 11/00
See application file for complete search history.

References Cited

U.S. PATENT DOCUMENTS

D288,788 S 3/1987 Richard
D408,823 S 4/1999 Kirby
D424,028 S 5/2000 Vaiani
D431,557 S 10/2000 Lutz, Jr. et al.
D445,789 S 7/2001 Zmehr
D451,919 S 12/2001 Abboud

OTHER PUBLICATIONS

U.S. Appl. No. 29/438,557, Notice of Allowance mailed Mar. 11, 2015.

Primary Examiner — John Windmuller
(74) *Attorney, Agent, or Firm* — Foggs & Powers LLC

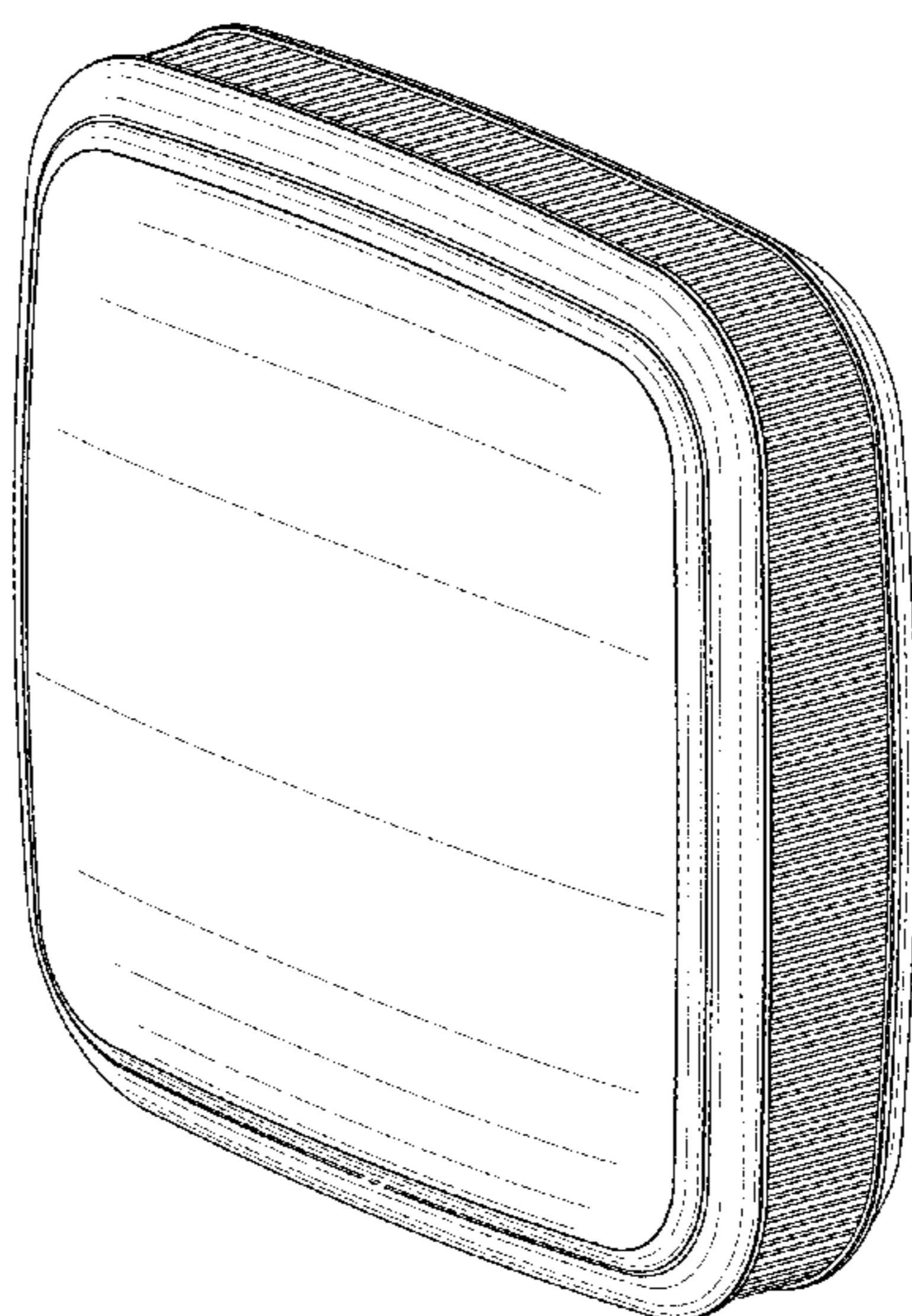
(57) **CLAIM**

The ornamental design for a transceiver, as shown and described.

DESCRIPTION

FIG. 1 is a perspective view of a transceiver.
FIG. 2 is another perspective view of the transceiver of FIG. 1.
FIG. 3 is a front view of the transceiver of FIG. 1.
FIG. 4 is a right side view of the transceiver of FIG. 1, the left side view being a mirror image of the right side view; and,
FIG. 5 is a top view of the transceiver of FIG. 1, a bottom view being a mirror image of the top view.

1 Claim, 4 Drawing Sheets



(56)

References Cited

U.S. PATENT DOCUMENTS

D633,098	S	2/2011	Kim et al.	
D639,752	S	6/2011	Li et al.	
D640,655	S	6/2011	Kim et al.	
D641,327	S	7/2011	Falakfarsa et al.	
D644,221	S	8/2011	Kemery et al.	
D651,993	S	1/2012	Cheng	
D658,598	S	5/2012	Ling et al.	
D659,690	S	5/2012	Huang	
D660,839	S	5/2012	Govindasamy et al.	
D664,126	S	7/2012	Feit	
D664,143	S	7/2012	Chaturvedi et al.	
D670,277	S	11/2012	Huang	
D671,100	S	11/2012	Huang	
D677,635	S	3/2013	Ling et al.	
D686,198	S	7/2013	Lewis et al.	
D686,201	S	7/2013	Lee	
D692,884	S	11/2013	Kim et al.	
D693,808	S	11/2013	Kim et al.	
D694,233	S	11/2013	Hoofnagle et al.	
D694,753	S	12/2013	Mcmanigal et al.	
D695,727	S	12/2013	Shimizu	
D702,141	S	4/2014	Jung et al.	
D702,236	S	4/2014	Gelinotte et al.	
D705,201	S	5/2014	Isaacs et al.	
D705,224	S	5/2014	Govindasamy et al.	
D710,824	S	8/2014	Mackiewicz et al.	
D711,359	S	8/2014	Marzynski et al.	
D715,228	S	10/2014	Lee et al.	
D717,284	S	11/2014	Kurosawa et al.	
D719,153	S	12/2014	Lim et al.	
D722,983	S	2/2015	Paredes	
D751,515	S	* 3/2016	Paredes	D13/168
2006/0201833	A1	9/2006	Chen	
2013/0063259	A1	3/2013	Kramer et al.	

* cited by examiner

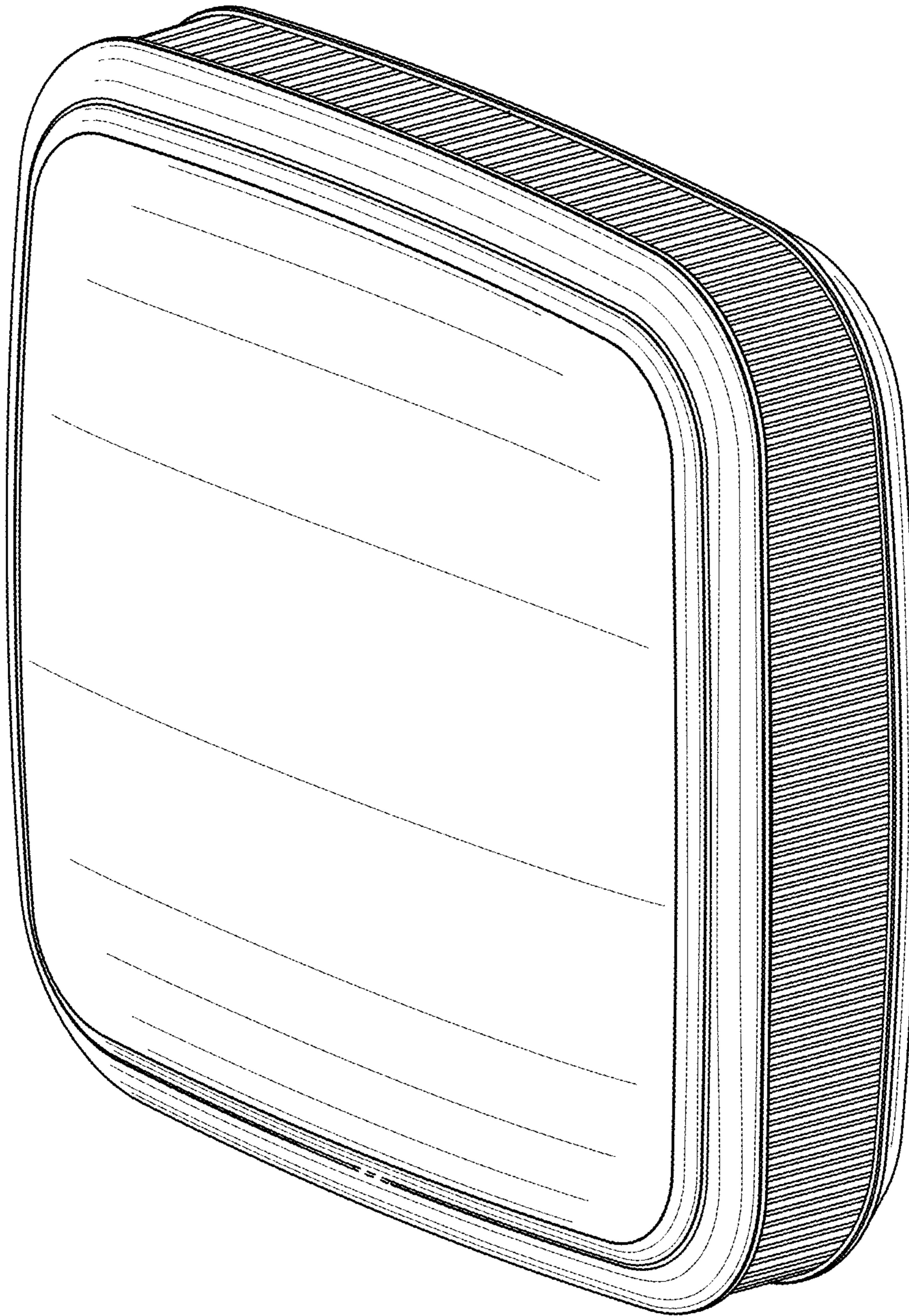


FIG. 1

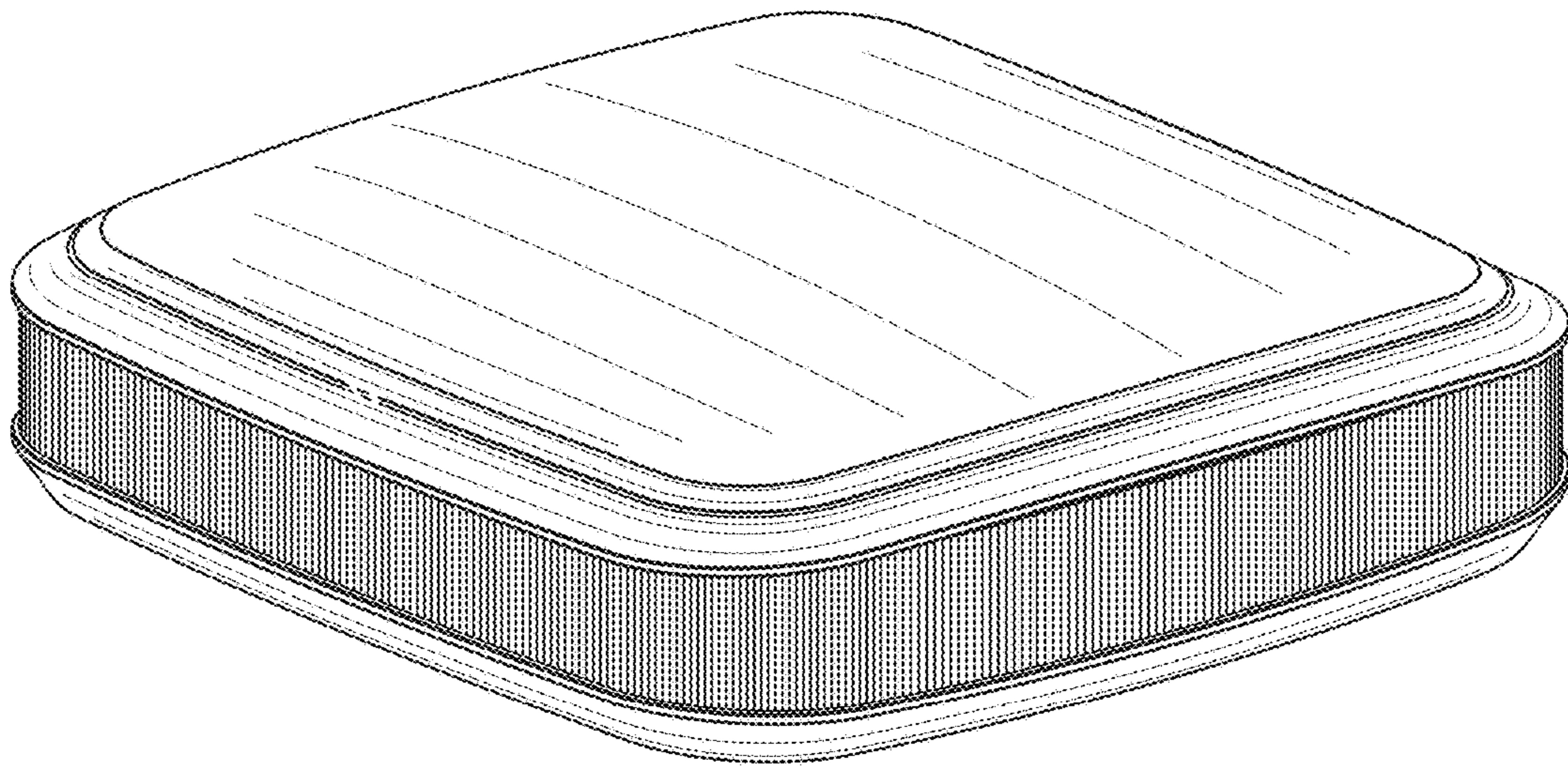


FIG. 2

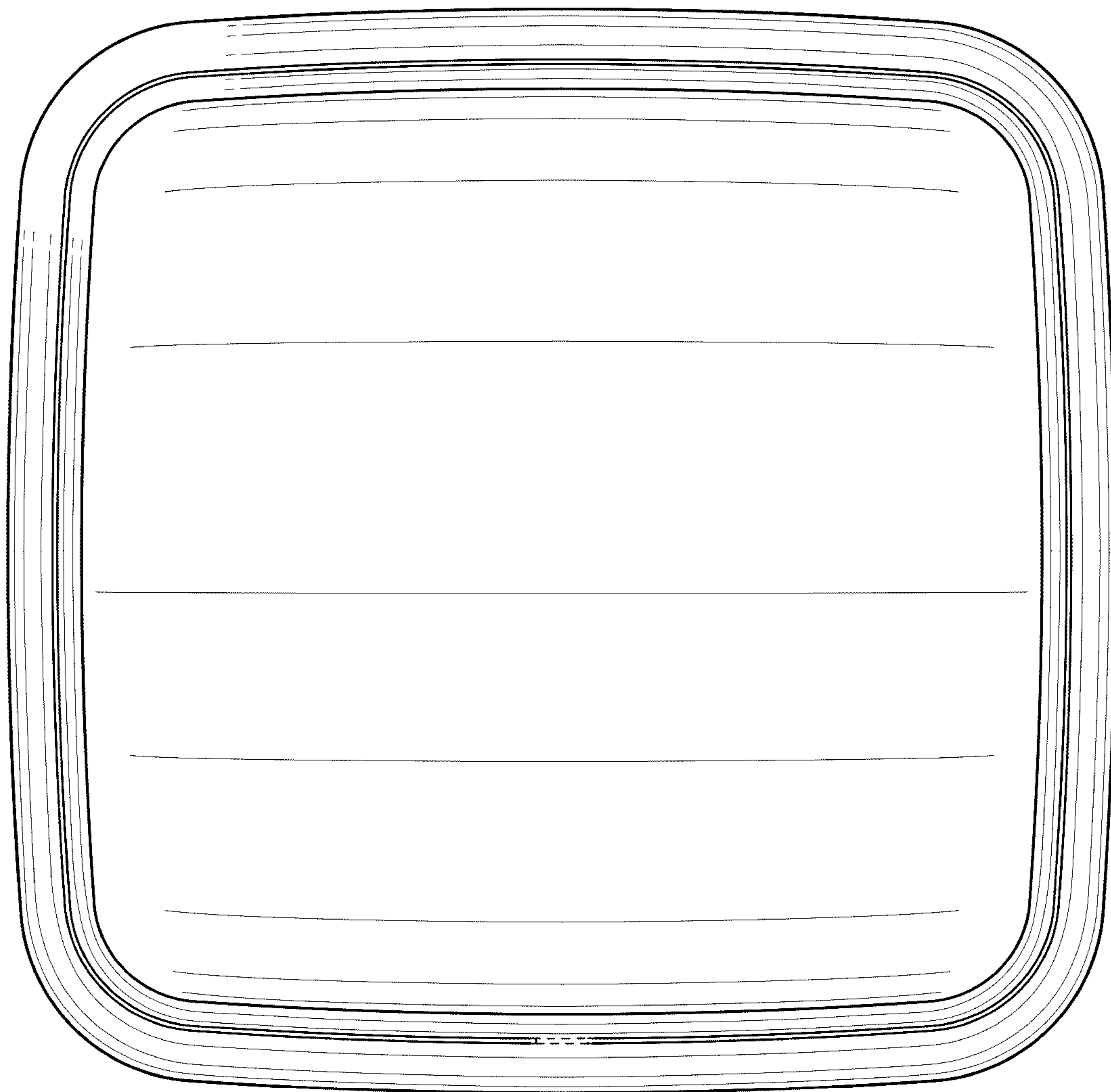


FIG. 3

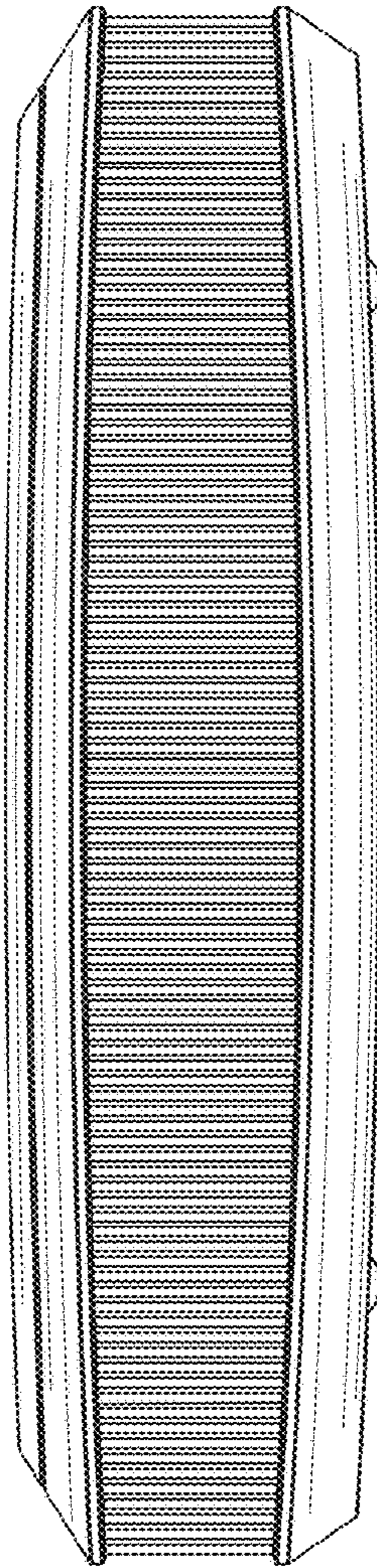


FIG. 4

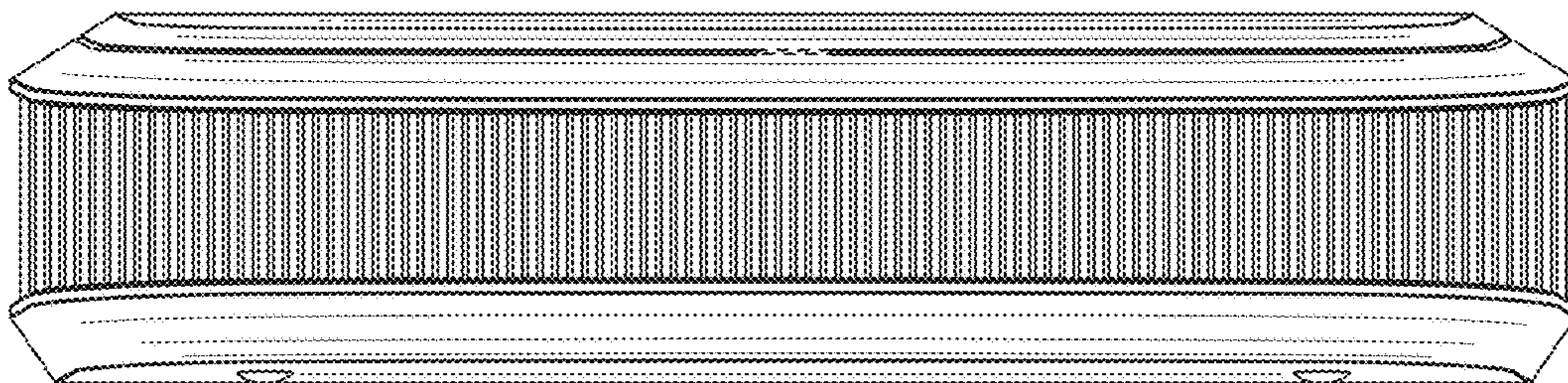


FIG. 5