



US00D774022S

(12) **United States Design Patent**
Huang

(10) **Patent No.:** **US D774,022 S**
(45) **Date of Patent:** **** Dec. 13, 2016**

- (54) **MICROPHONE WITH STAND**
- (71) Applicant: **MerchSource, LLC**, Irvine, CA (US)
- (72) Inventor: **David Huang**, Torrance, CA (US)
- (73) Assignee: **MerchSource, LLC**, Irvine, CA (US)
- (**) Term: **15 Years**
- (21) Appl. No.: **29/542,697**
- (22) Filed: **Oct. 16, 2015**
- (51) **LOC (10) Cl.** **14-01**
- (52) **U.S. Cl.**
USPC **D14/229; D14/209.1**
- (58) **Field of Classification Search**
USPC D14/229, 209.1, 204, 215, 216, 221,
D14/207, 225–228, 211; D6/681.1;
D24/128; 381/355, 363; 455/95, 117, 129;
248/125.8, 159, 412; 211/166
CPC H04R 1/02; H04R 25/00; H05K 5/02
See application file for complete search history.

- (56) **References Cited**
U.S. PATENT DOCUMENTS
- 1,405,287 A * 1/1922 Clifford F21V 21/10
248/161
- 1,630,870 A * 5/1927 Strunck A47F 5/06
248/412
- 1,966,566 A * 7/1934 Spica A47B 19/002
248/171
- 1,970,624 A * 8/1934 Recker F21V 21/22
248/337
- 2,010,292 A * 8/1935 Campbell A47C 3/285
248/412
- 2,170,679 A * 8/1939 Dickerson F21V 21/22
248/412
- 2,459,785 A * 1/1949 Allerton F16B 7/1427
211/166
- 2,703,691 A * 3/1955 Minnis F16M 11/14
108/146

- D194,151 S * 11/1962 Deschamps D14/228
- 3,153,123 A * 10/1964 Harman H04R 1/08
248/414
- 3,324,254 A * 6/1967 Shaw H04R 1/08
248/121
- 4,065,648 A * 12/1977 Cvetko H04R 1/086
381/359
- D262,535 S * 1/1982 Fisher D14/229
- 4,344,184 A * 8/1982 Edwards H04B 1/04
343/702
- 4,694,499 A * 9/1987 Bartlett H04R 1/38
381/160
- 4,744,536 A * 5/1988 Bancalari A61M 5/1415
248/125.8

(Continued)

Primary Examiner — Paula Greene
(74) *Attorney, Agent, or Firm* — Avvno Law P.C.

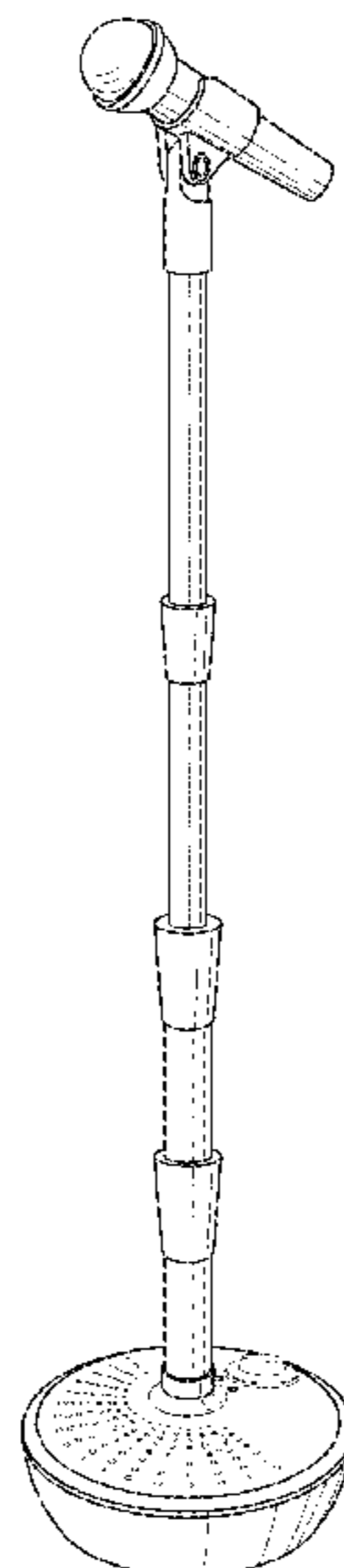
(57) **CLAIM**

I claim the ornamental design for a microphone with stand, as shown and described.

DESCRIPTION

FIG. 1 is a perspective view of a microphone with stand; FIG. 2 is a top view of the microphone with stand of FIG. 1; FIG. 3 is a bottom view of the microphone with stand of FIG. 1; FIG. 4 is a side view of the left side of the microphone with stand of FIG. 1; FIG. 5 is a side view of the right side of the microphone with stand of FIG. 1; FIG. 6 is a front view of the microphone with stand of FIG. 1; and, FIG. 7 is a rear view of the microphone with stand of FIG. 1. The broken lines depict environment that are for illustrative purposes only and form no part of the claimed design.

1 Claim, 3 Drawing Sheets



(56)

References Cited

U.S. PATENT DOCUMENTS

4,817,153 A *	3/1989	Fernandez	H04R 1/08	381/111
D302,158 S *	7/1989	Kubota	D14/225	
D302,819 S *	8/1989	Kubota	D14/225	
4,910,795 A *	3/1990	McCowen	H04R 1/083	381/355
D310,368 S *	9/1990	Derhaag	D14/225	
5,048,789 A *	9/1991	Eason	F16M 11/00	248/188.7
5,144,677 A *	9/1992	Asakura	H04R 1/086	381/150
5,497,965 A *	3/1996	Mathieu, Jr.	F16M 11/00	248/159
5,706,359 A *	1/1998	Chang	H04R 1/08	381/355
5,742,697 A *	4/1998	Ching-Chung	H04R 1/083	381/355
5,893,541 A *	4/1999	Michaelson	F16M 11/00	248/158
D421,609 S *	3/2000	Warren	D14/214	
D449,041 S *	10/2001	Koike	D14/228	
6,463,159 B1 *	10/2002	Ming-Cheng	H04R 1/08	381/355
D479,836 S *	9/2003	Thornton	D14/228	
D537,072 S *	2/2007	Kim	D14/215	
D598,011 S *	8/2009	Thusbass	D14/225	
7,606,385 B2 *	10/2009	Akino	H04R 1/083	381/355
D610,570 S *	2/2010	Upham	D14/209.1	
D713,391 S *	9/2014	Ibuki	D14/228	
2009/0196451 A1 *	8/2009	Abdul	H04R 1/026	381/363

* cited by examiner

FIG. 1

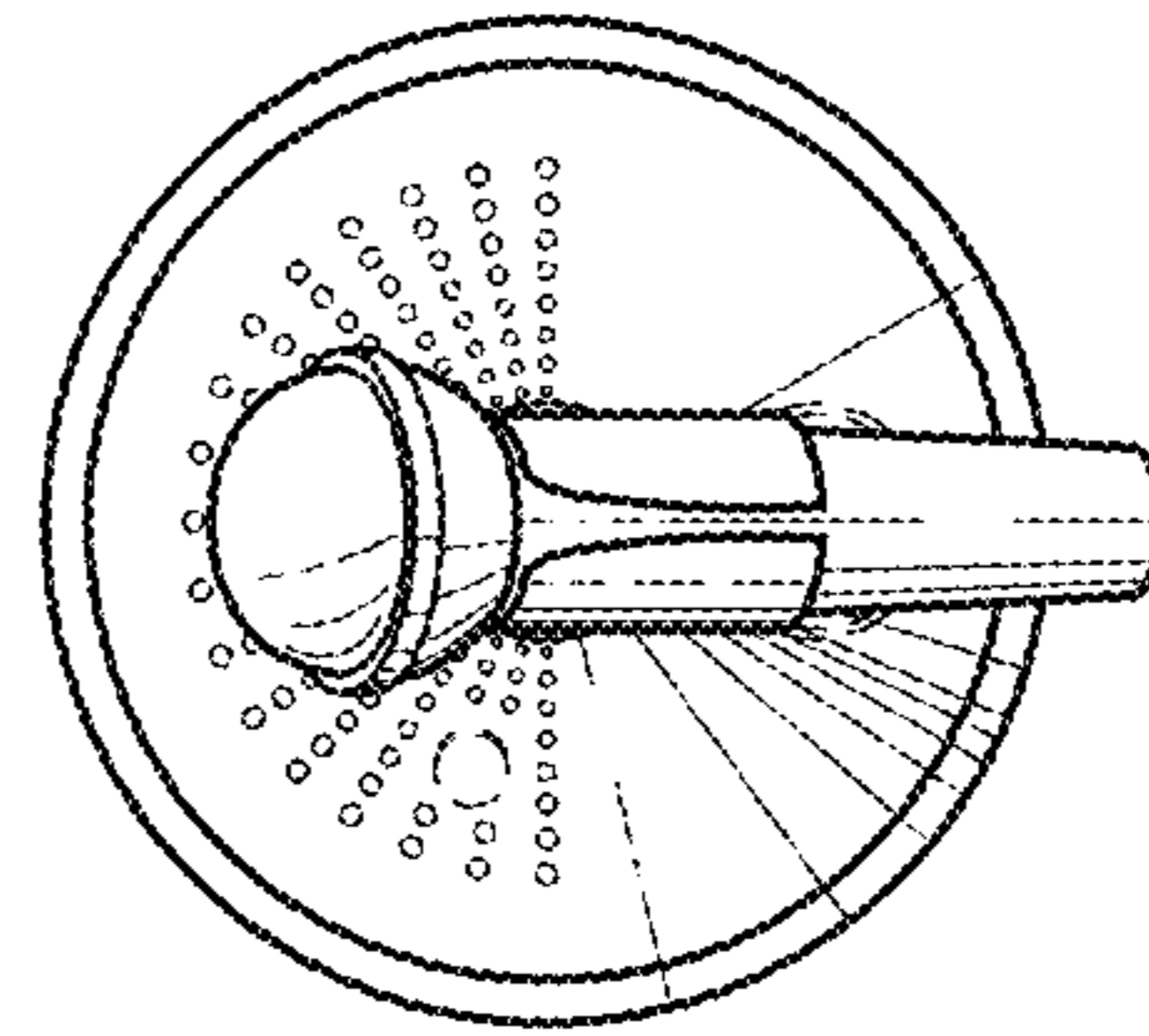
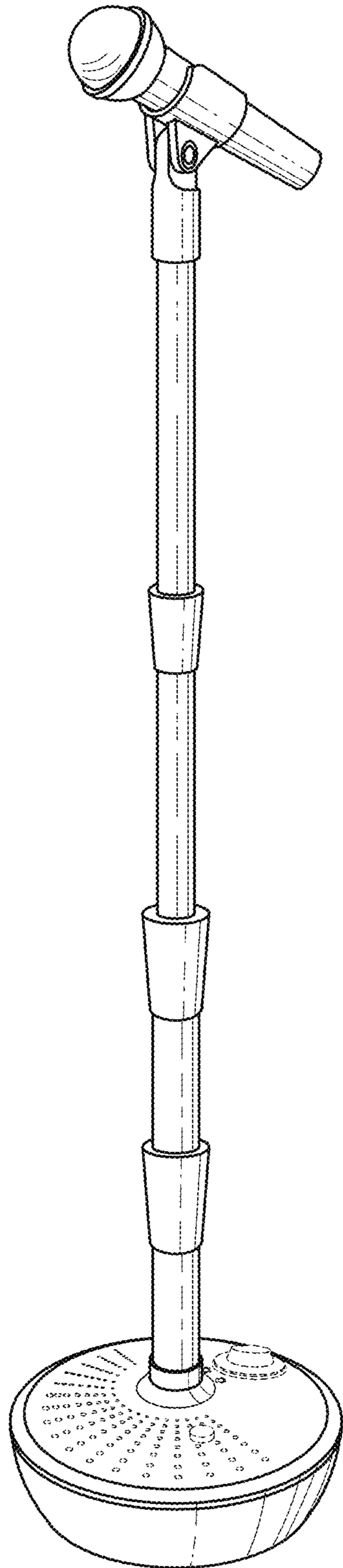


FIG. 2

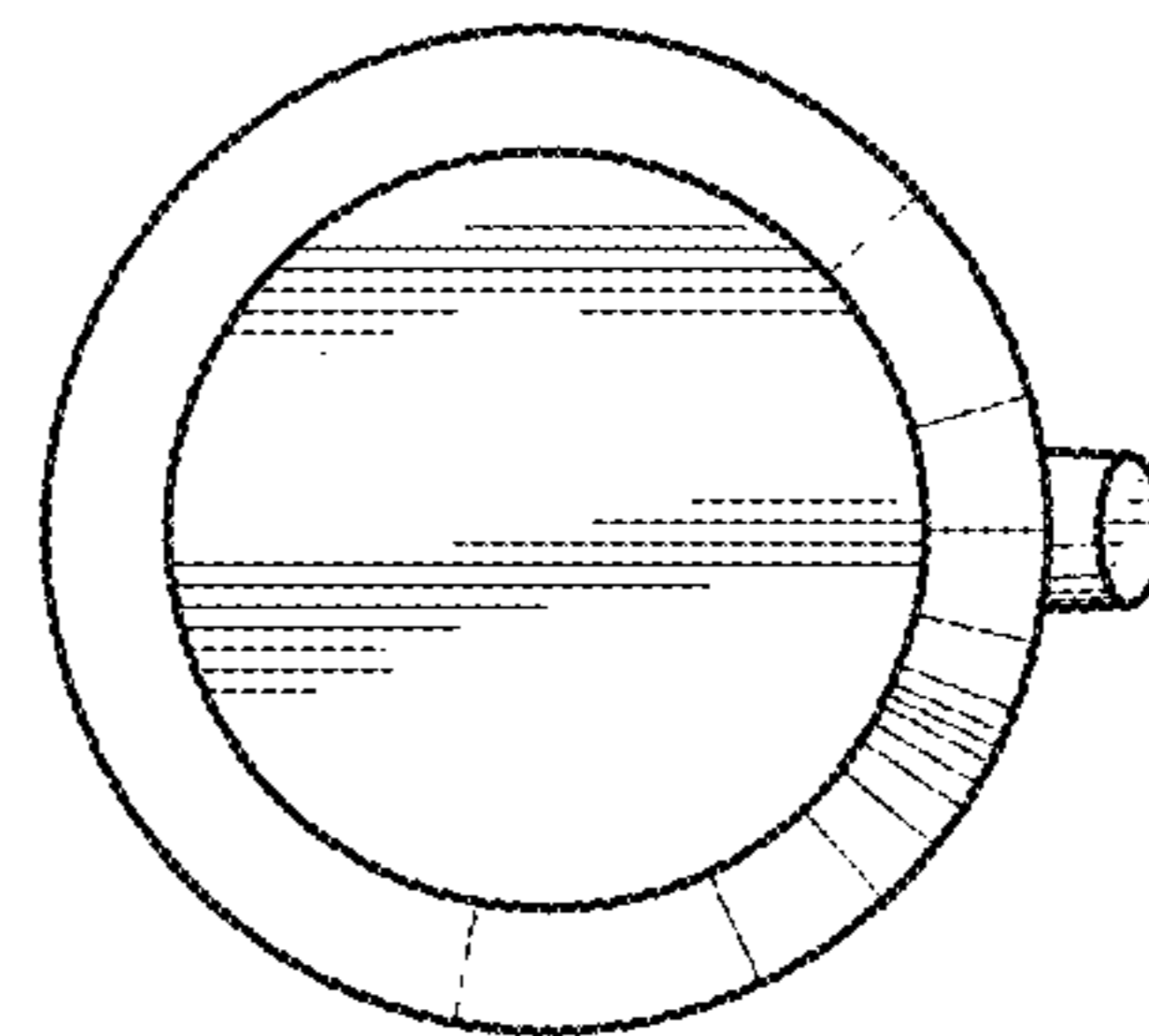


FIG. 3

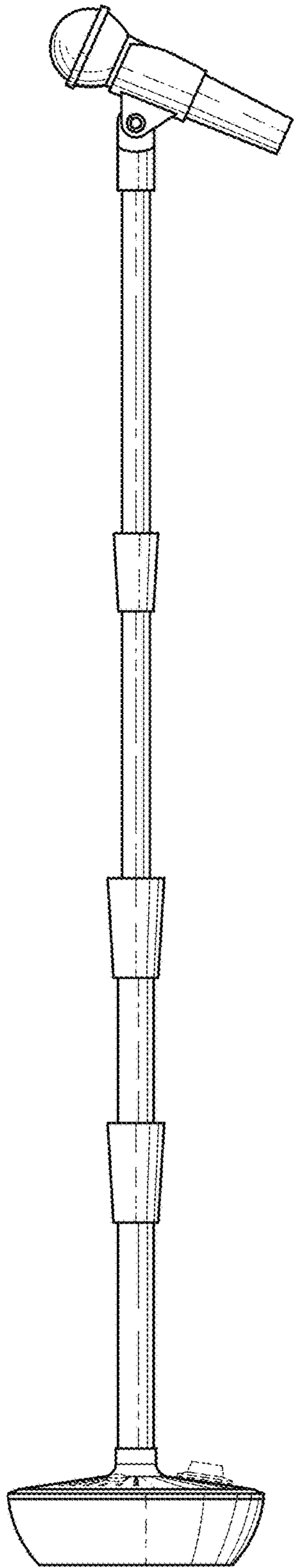


FIG. 4

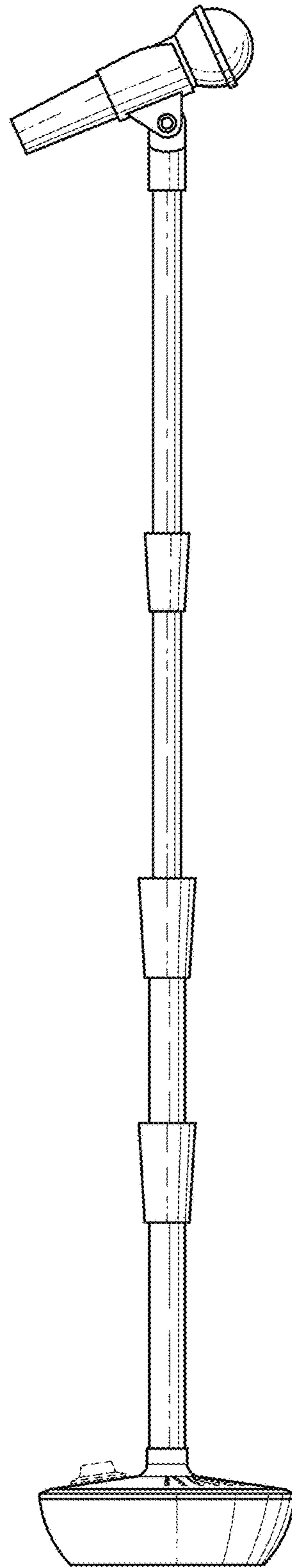


FIG. 5

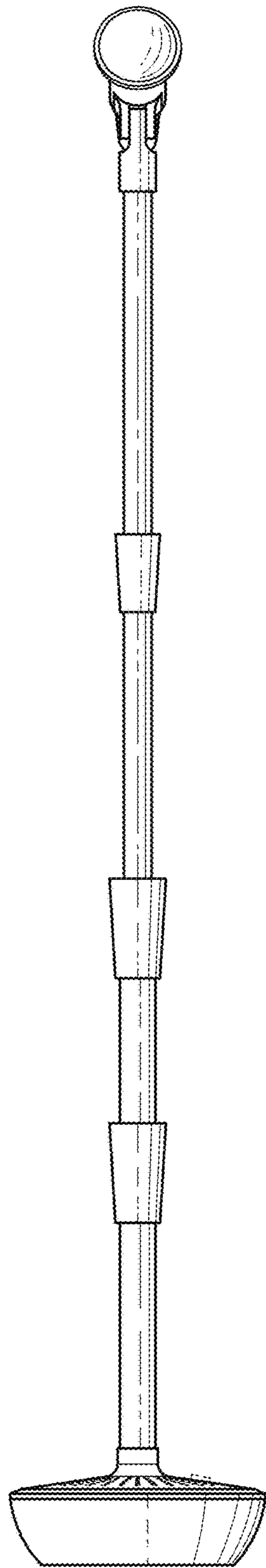


FIG. 6

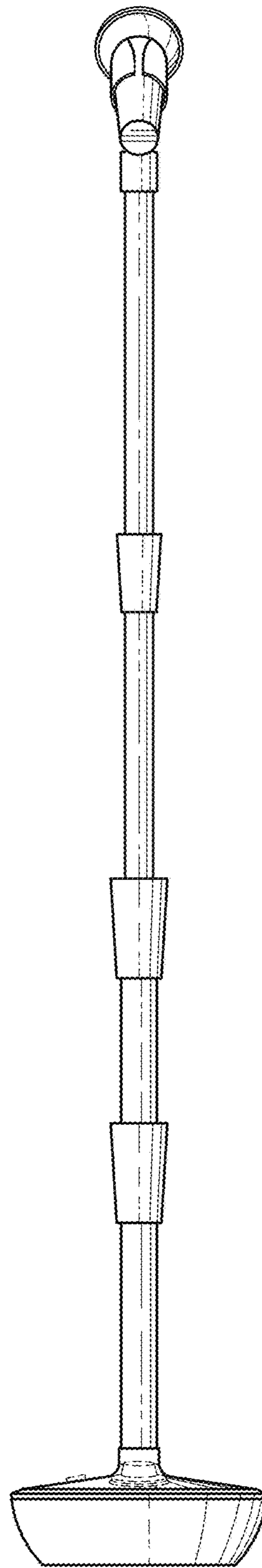


FIG. 7