



US00D774018S

(12) **United States Design Patent** (10) **Patent No.:** **US D774,018 S**
Puffer et al. (45) **Date of Patent:** **** Dec. 13, 2016**

(54) **WIRELESS SPEAKER**

2499/13;H04R 2499/15; H04S 3/00; H04S 7/30

(71) Applicant: **Broan-NuTone LLC**, Hartford, WI (US)

See application file for complete search history.

(72) Inventors: **Benjamin Thorpe Puffer**, Hartford, WI (US); **Kenneth John Jonas**, Mequon, WI (US)

(56) **References Cited**

U.S. PATENT DOCUMENTS

(73) Assignee: **Broan-NuTone LLC**, Hartford, WI (US)

D554,104	S	*	10/2007	Kurihara	D14/214
D582,891	S	*	12/2008	Khoo	D14/214
D691,116	S	*	10/2013	Ponce	D14/215
D738,847	S	*	9/2015	Park	D14/188
2011/0216925	A1	*	9/2011	Riggs	H04R 5/02 381/300

(**) Term: **15 Years**

* cited by examiner

(21) Appl. No.: **29/541,633**

Primary Examiner — Keli L Hill

(22) Filed: **Oct. 6, 2015**

(74) *Attorney, Agent, or Firm* — Schwegman Lundberg & Woessner, P.A.

(51) **LOC (10) Cl.** **14-03**

(52) **U.S. Cl.**
USPC **D14/215**

(58) **Field of Classification Search**

USPC D14/167, 168, 170–172, 188, 194–196, D14/204, 207, 209.1, 210–216, 219, 221, 222, D14/224, 239, 496; 181/143, 144, 147, 148, 181/150, 153, 157, 198, 199; 381/300–303, 381/306, 332, 333, 336, 345, 361–364, 381/386–388; 369/6–12

CPC B60R 11/0217; G06F 1/1688; G10K 9/22; G10K 11/004; H03F 1/327; H04M 1/03; H04M 1/035; H04N 5/642; H04N 21/4852; H04R 1/02; H04R 1/06; H04R 1/021; H04R 1/025; H04R 1/026; H04R 1/028; H04R 1/105; H04R 1/323; H04R 1/403; H04R 1/2803; H04R 1/2834; H04R 5/02; H04R 7/20; H04R 9/06; H04R 9/025; H04R 2201/021; H04R 2400/00; H04R 2400/07; H04R 2499/11; H04R

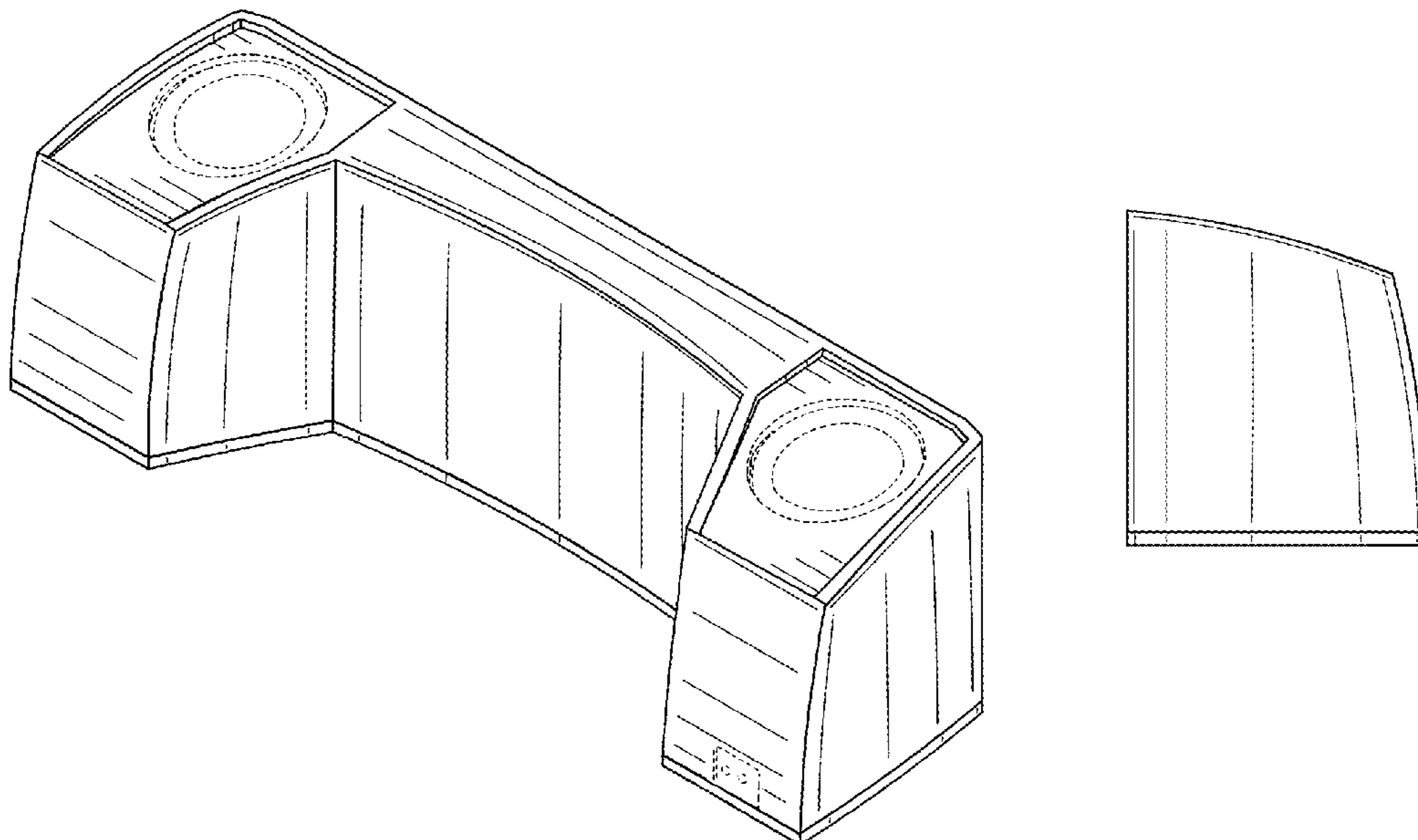
(57) **CLAIM**

The ornamental design for a wireless speaker, as shown and described.

DESCRIPTION

FIG. 1 is a front side perspective view of a wireless speaker, embodying our new design;
 FIG. 2 is a front elevation view thereof;
 FIG. 3 is a rear elevation view thereof;
 FIG. 4 is a top plan view thereof;
 FIG. 5 is a bottom plan view thereof; and,
 FIG. 6 is a side elevation view thereof, the left and right sides being mirror images of one another.
 The broken lines depict environmental subject matter only and form no part of the claimed design.

1 Claim, 3 Drawing Sheets



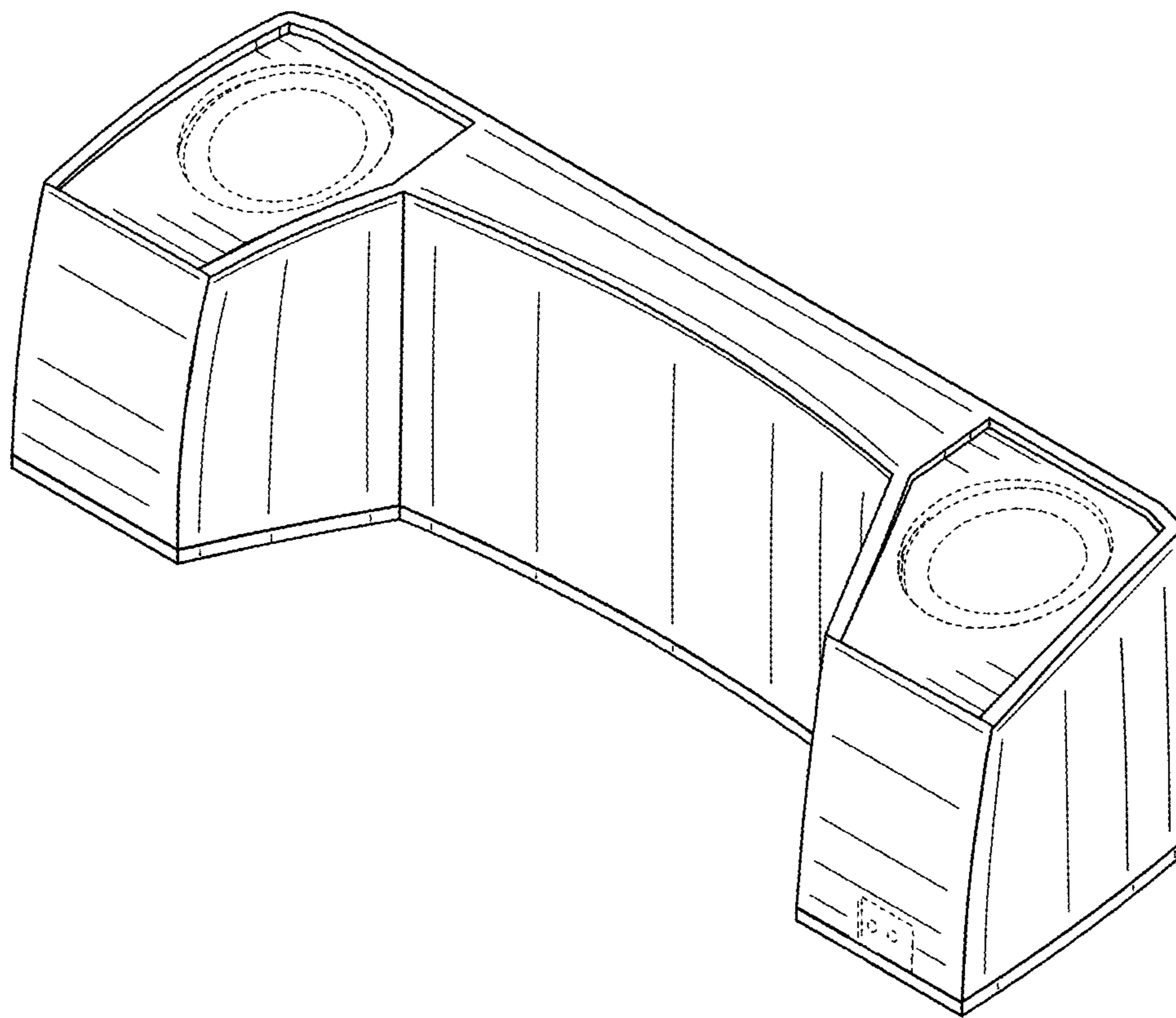


FIG. 1

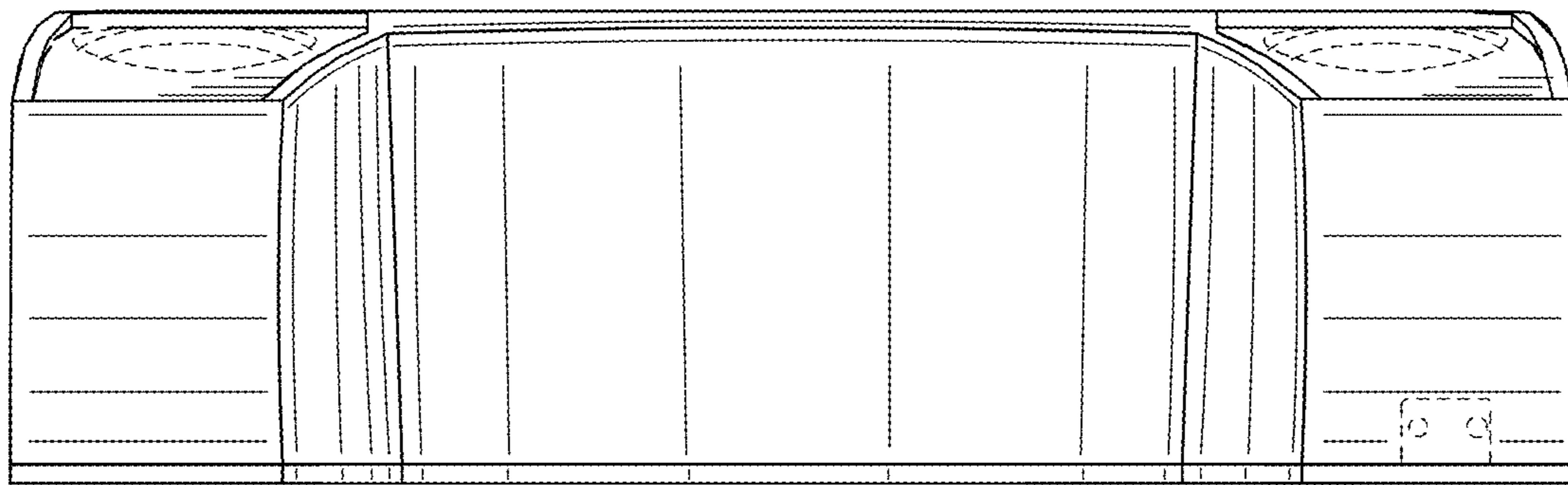


FIG. 2

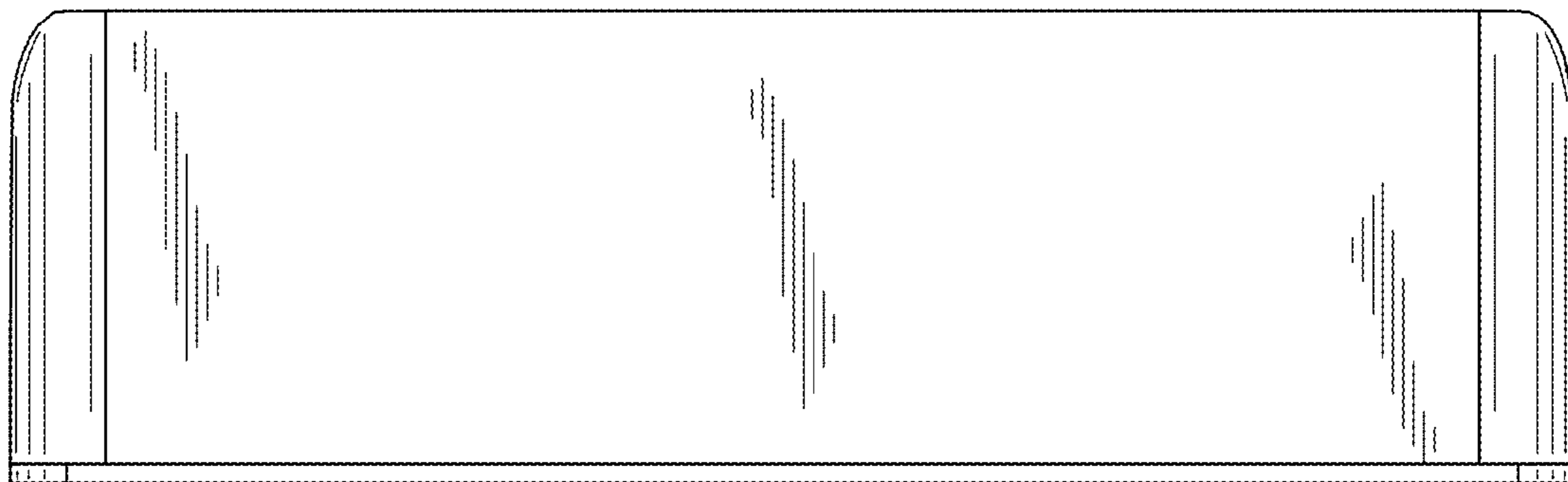


FIG. 3

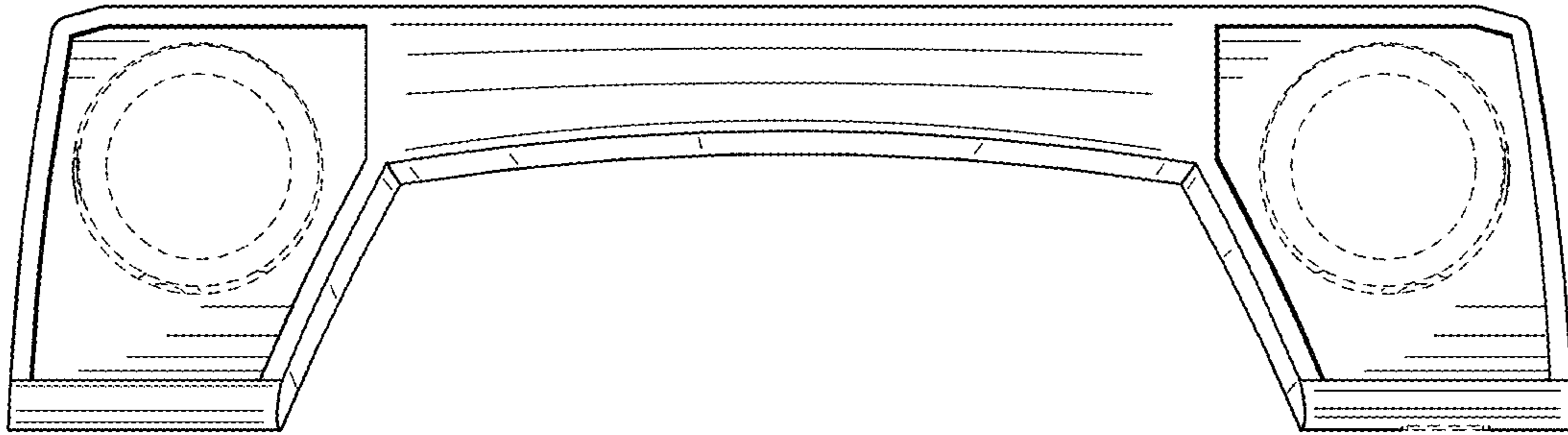


FIG. 4

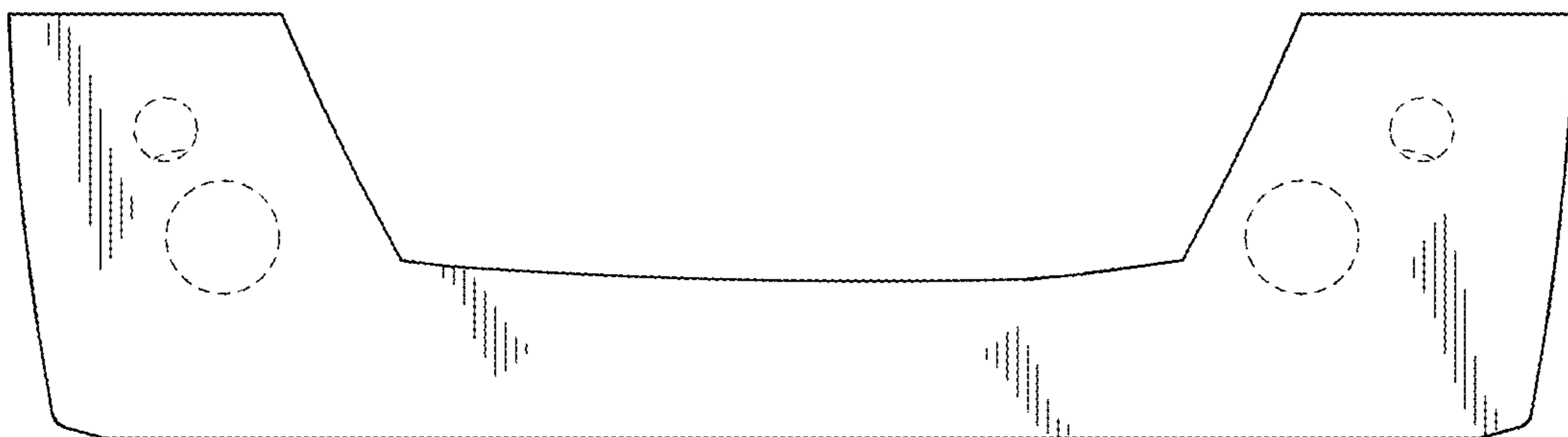


FIG. 5

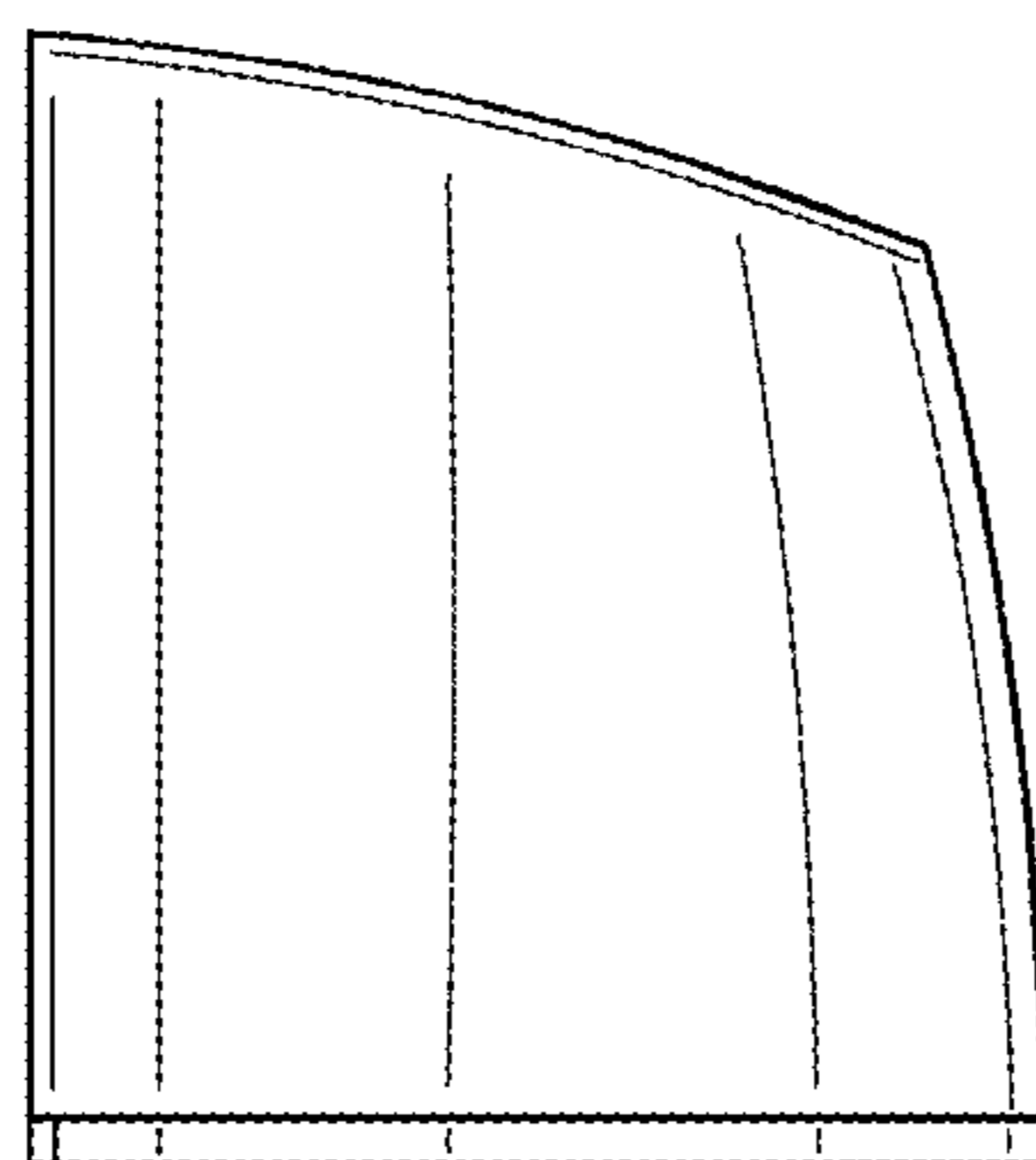


FIG. 6