

US00D774017S

(12) **United States Design Patent**
Ahn et al.

(10) **Patent No.:** **US D774,017 S**
(45) **Date of Patent:** **** Dec. 13, 2016**

- (54) **WIRELESS HEADSET**
- (71) Applicant: **LG ELECTRONICS INC.**, Seoul (KR)
- (72) Inventors: **Yooshin Ahn**, Seoul (KR); **Seungbeom Park**, Seoul (KR)
- (73) Assignee: **LG ELECTRONICS INC.**, Seoul (KR)
- (**) Term: **15 Years**
- (21) Appl. No.: **29/535,584**
- (22) Filed: **Aug. 7, 2015**

(30) **Foreign Application Priority Data**

Feb. 9, 2015 (KR) 30-2015-0006877

(51) **LOC (10) Cl.** **14-01**

(52) **U.S. Cl.**
USPC **D14/205**

(58) **Field of Classification Search**
USPC D14/205, 223, 188, 192; 181/129, 130, 181/135; 379/430, 431; 381/380, 381; 455/90.3, 455/575.1
CPC H04R 1/1066; H04R 1/10; H04R 5/0335; H04R 25/00; H04R 1/1016; H04R 5/02
See application file for complete search history.

(56) **References Cited**

U.S. PATENT DOCUMENTS

- 2,481,946 A * 9/1949 Pendleton G02C 3/003 2/450
- 2,891,116 A * 6/1959 Nichols H04R 25/602 381/323
- D318,669 S * 7/1991 Nakayama D14/205
- D331,057 S * 11/1992 Isonaga D14/205
- D337,587 S * 7/1993 Nakayama D14/205
- D350,354 S * 9/1994 Nakamura D14/205
- D351,597 S * 10/1994 Nakamura D14/205

- D394,436 S * 5/1998 Hall D14/206
- 6,010,216 A * 1/2000 Jesiek H04B 1/385 351/158
- 6,105,714 A * 8/2000 Lindgren A61F 11/08 181/126
- 6,233,345 B1 * 5/2001 Urwyler H04R 1/1033 351/123
- D449,290 S * 10/2001 Taylor D14/206
- D458,245 S * 6/2002 Masuda D14/192
- 6,603,863 B1 * 8/2003 Nagayoshi H04R 5/0335 381/370
- D550,202 S * 9/2007 Meier D14/206
- D560,206 S * 1/2008 Hermansen D14/206
- D575,268 S * 8/2008 Christopher D14/205
- D579,442 S * 10/2008 Kim D14/205
- D583,800 S * 12/2008 Jaakkola D14/205

(Continued)

Primary Examiner — Paula Greene

(74) *Attorney, Agent, or Firm* — Birch, Stewart, Kolasch & Birch, LLP

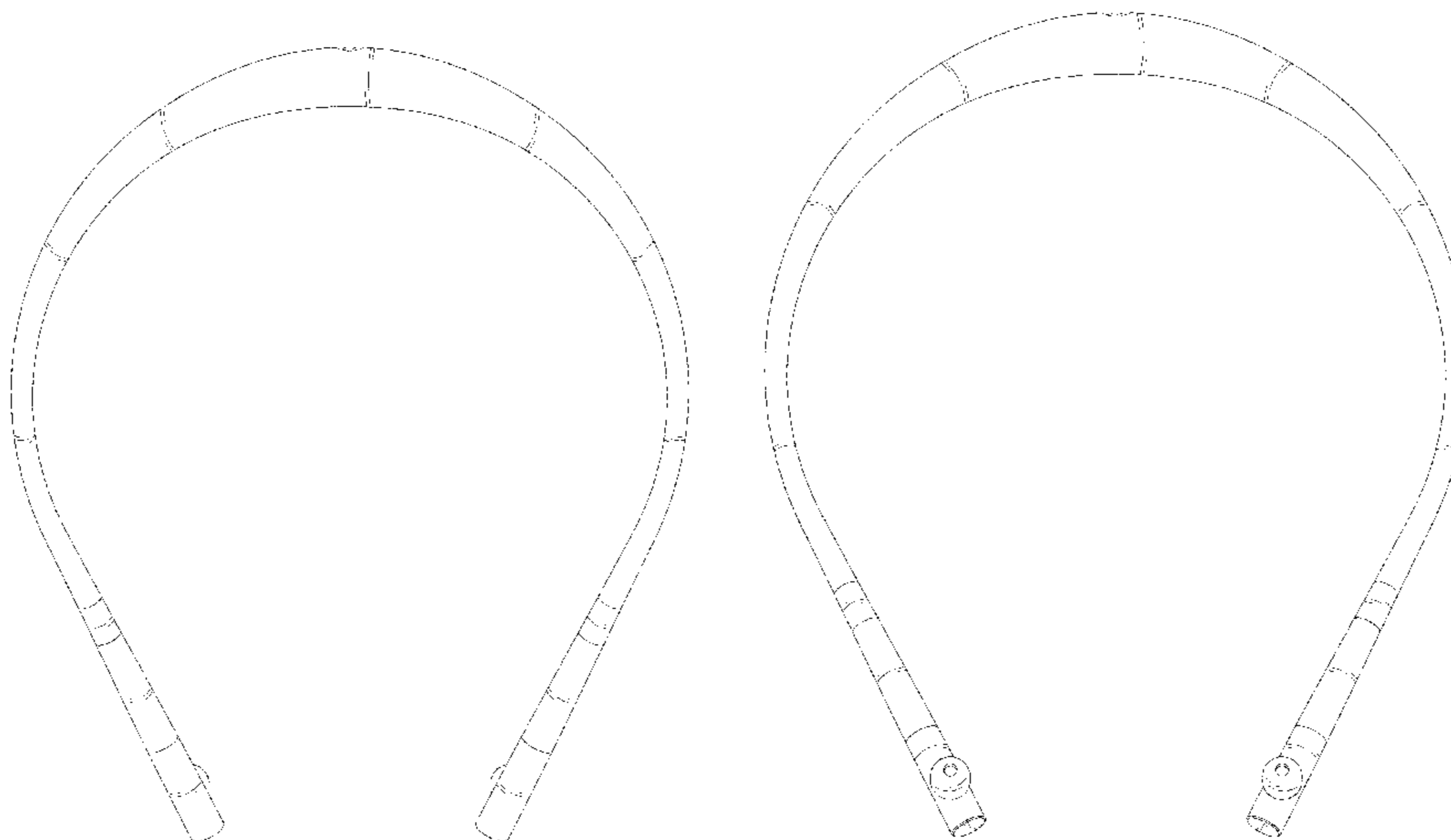
(57) **CLAIM**

The ornamental design for wireless headset, as shown and described.

DESCRIPTION

FIG. 1 is a perspective view of a wireless headset showing our new design;
 FIG. 2 is a front view thereof;
 FIG. 3 is a rear view thereof;
 FIG. 4 is a left side view thereof where the right side view is a mirror image;
 FIG. 5 is a top plan view thereof;
 FIG. 6 is a bottom plan view thereof;
 FIG. 7 is a reference view thereof showing the state that the earphone part and the main body can be detached; and,
 FIG. 8 is a reference view thereof showing an example of the usage of the subject design.
 The broken lines depict portions of the wireless headset that form no part of the claimed design.

1 Claim, 7 Drawing Sheets



(56)

References Cited

U.S. PATENT DOCUMENTS

D587,678 S * 3/2009 Yuyama D14/205
 D587,680 S * 3/2009 Komiyama D14/205
 D593,067 S * 5/2009 Millora D14/205
 D593,538 S * 6/2009 Chon D14/205
 D594,442 S * 6/2009 Chon D14/205
 D596,617 S * 7/2009 Devlas D14/205
 D604,269 S * 11/2009 Choe D14/205
 D605,168 S * 12/2009 Jaakkola D14/205
 D617,308 S * 6/2010 Nousiainen D14/205
 7,920,902 B2 * 4/2011 Carroll H04M 1/6066
 381/74
 8,009,853 B2 * 8/2011 Ito H04R 1/1066
 381/370
 D645,444 S * 9/2011 Quek D14/205
 D653,234 S * 1/2012 Lee D14/205
 8,094,858 B2 * 1/2012 Thiel G02C 3/003
 381/327
 D663,714 S * 7/2012 Kang D14/205
 D669,881 S * 10/2012 Clements D14/205
 8,290,193 B2 * 10/2012 Pang H04R 1/1033
 381/370
 8,363,875 B2 * 1/2013 Ito H04R 1/1066
 381/379
 D678,857 S * 3/2013 Feng D14/205
 8,411,893 B2 * 4/2013 Ito H04R 1/105
 181/135
 8,433,082 B2 * 4/2013 Abolfathi H04R 1/46
 381/151
 D686,189 S * 7/2013 Lu D14/205
 D703,634 S * 4/2014 Han D14/205
 D706,745 S * 6/2014 Nakagawa D14/205
 D707,199 S * 6/2014 Cypress D14/205

8,761,430 B2 * 6/2014 Zimmerman H04R 1/1033
 381/374
 8,873,250 B2 * 10/2014 Kroupa B65H 75/4434
 242/400
 D716,759 S * 11/2014 Ha D14/205
 D717,765 S * 11/2014 Rausch D14/205
 D718,272 S * 11/2014 Clayton D14/205
 D721,673 S * 1/2015 Park D14/205
 D723,510 S * 3/2015 Ishikura D14/205
 D730,867 S * 6/2015 Park D14/205
 D731,999 S * 6/2015 Cypress D14/205
 9,055,795 B2 * 6/2015 Larkin A45C 11/00
 D736,740 S * 8/2015 Hwang D14/205
 D740,785 S * 10/2015 Chen D14/205
 D743,933 S * 11/2015 Park D14/205
 D752,026 S * 3/2016 Yang D14/223
 D756,958 S * 5/2016 Lee D14/205
 D756,959 S * 5/2016 Lee D14/205
 2007/0003093 A1 * 1/2007 Ito H04R 5/0335
 381/378
 2009/0274335 A1 * 11/2009 Cheung H04R 5/0335
 381/374
 2010/0283962 A1 * 11/2010 Williams G02C 3/003
 351/157
 2011/0170702 A1 * 7/2011 Bays H04R 5/0335
 381/74
 2012/0170702 A1 * 7/2012 Song F22B 35/004
 376/210
 2012/0314351 A1 * 12/2012 Kroupa B65H 75/4434
 361/679.01
 2013/0329903 A1 * 12/2013 Ting H04R 1/105
 381/74
 2014/0185837 A1 * 7/2014 Kunimoto H04R 1/1075
 381/151

* cited by examiner

FIG. 1

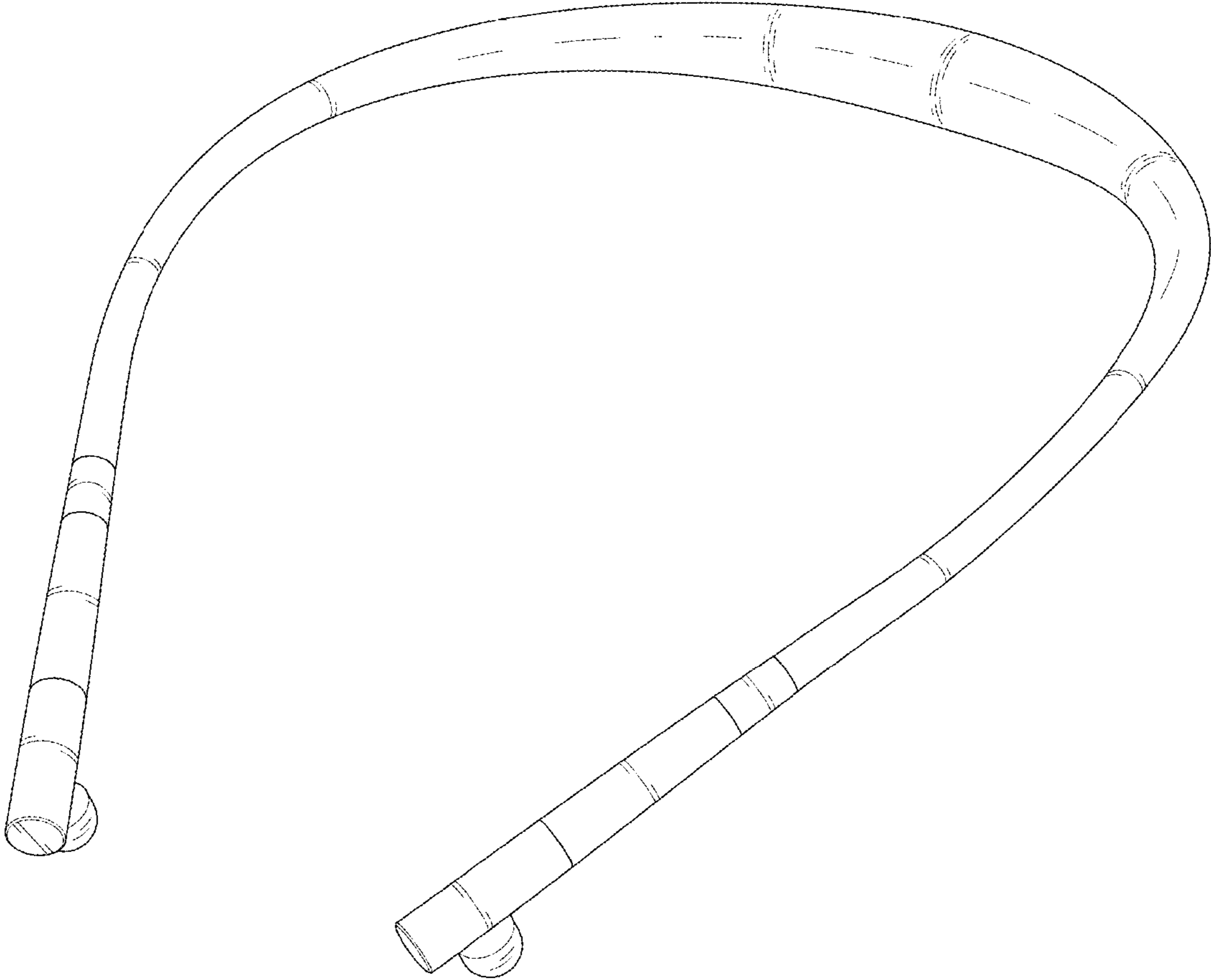


FIG. 2

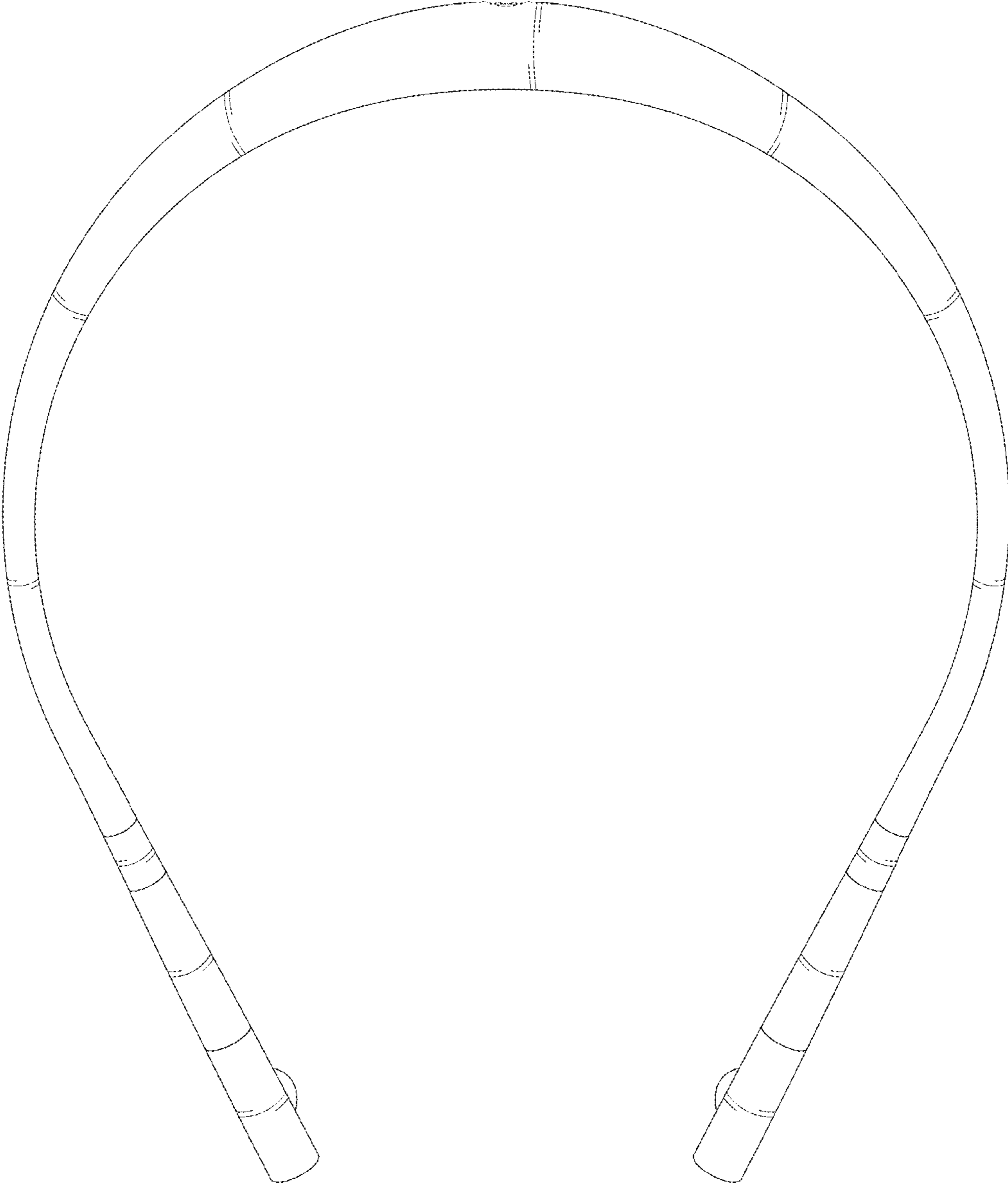


FIG. 3

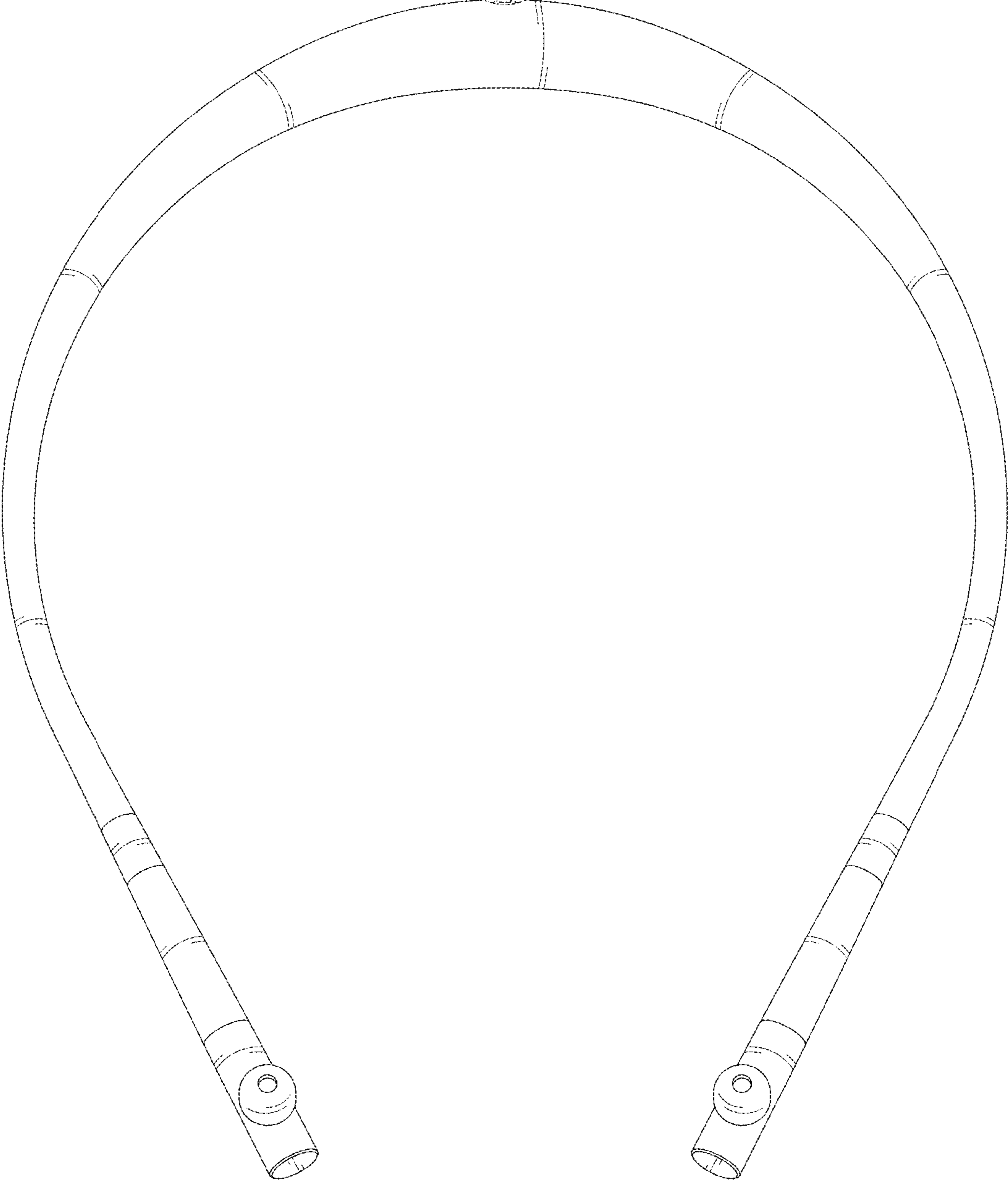


FIG. 4

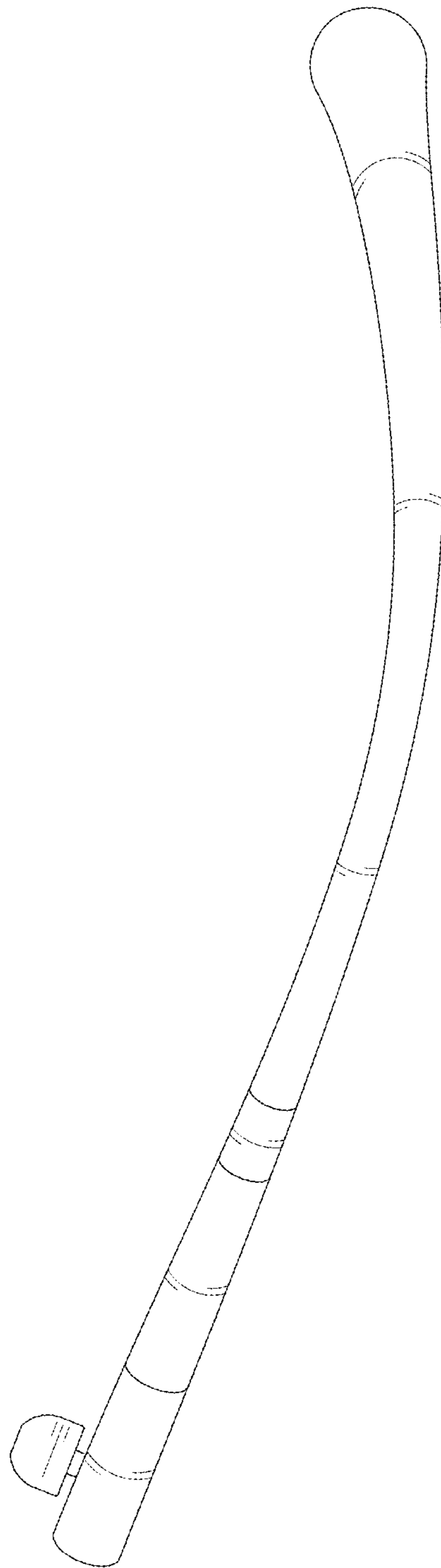


FIG. 5

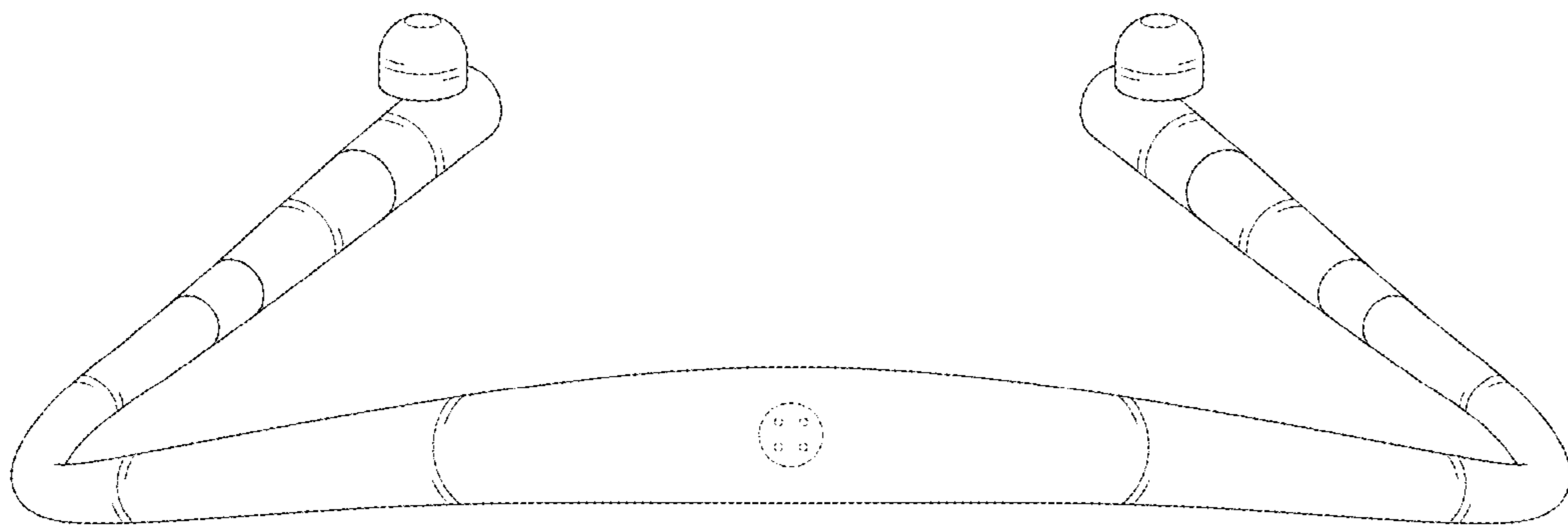


FIG. 6

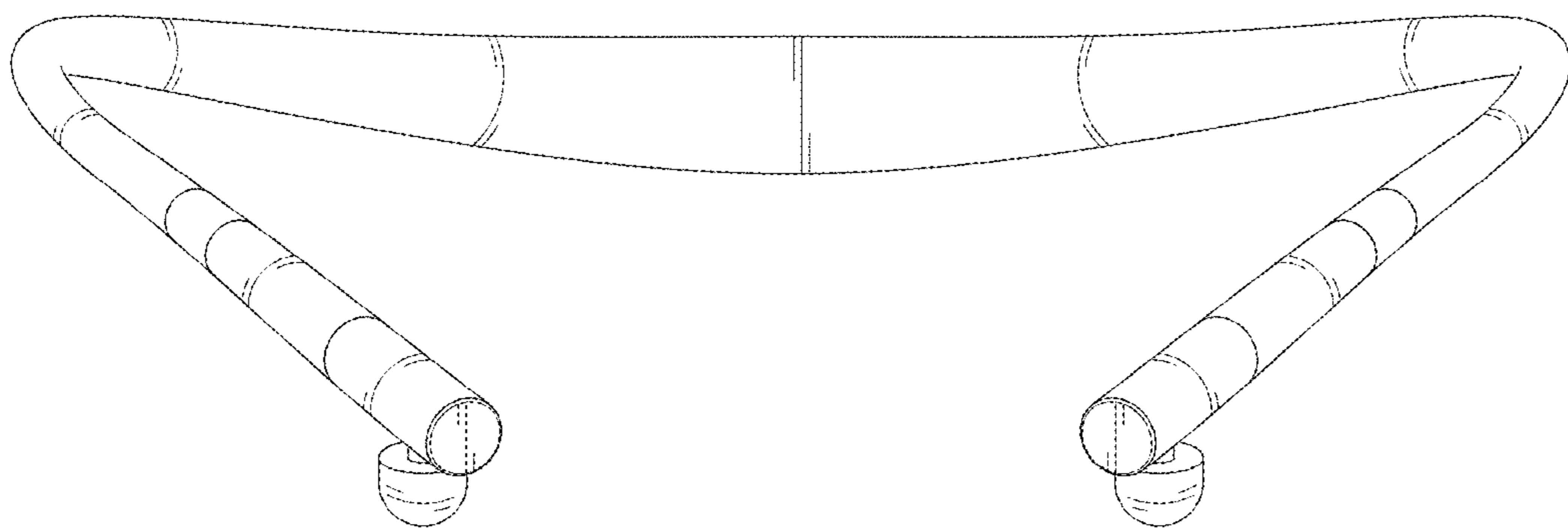


FIG. 7

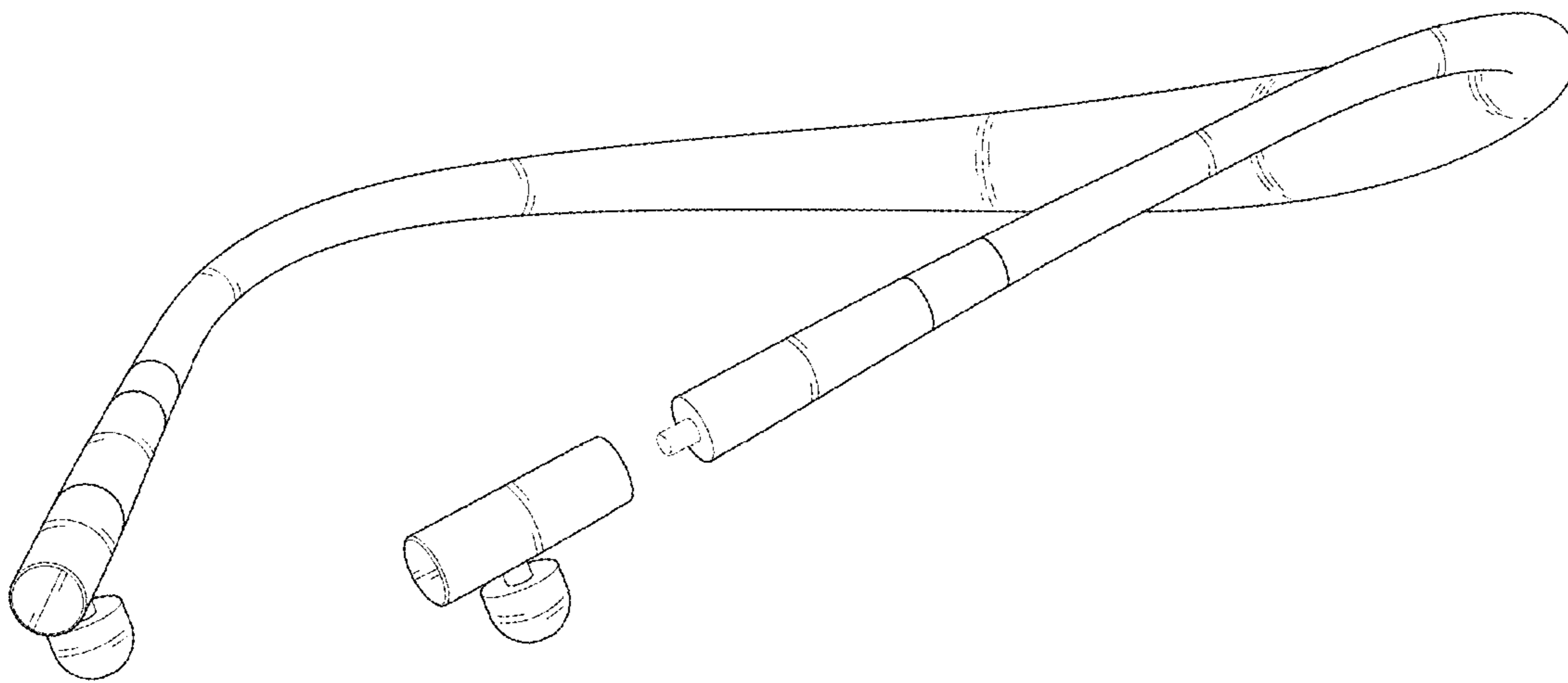


FIG. 8

