



US00D774013S

(12) **United States Design Patent** (10) **Patent No.:** **US D774,013 S**  
**Kusumoto et al.** (45) **Date of Patent:** **\*\* Dec. 13, 2016**

(54) **IMAGE DISPLAY APPARATUS**  
(71) Applicant: **Sharp Kabushiki Kaisha**, Osaka-shi,  
Osaka (JP)  
(72) Inventors: **Toshiharu Kusumoto**, Osaka (JP);  
**Tomokazu Miyazawa**, Osaka (JP);  
**Kazuhito Maruyama**, Osaka (JP);  
**Yoshihisa Takata**, Osaka (JP)  
(73) Assignee: **Sharp Kabushiki Kaisha**, Osaka (JP)  
(\*\*) Term: **15 Years**  
(21) Appl. No.: **29/538,990**  
(22) Filed: **Sep. 10, 2015**  
(30) **Foreign Application Priority Data**

Mar. 12, 2015 (JP) ..... 2015-005394

(51) **LOC (10) Cl.** ..... **14-03**  
(52) **U.S. Cl.**  
USPC ..... **D14/126**  
(58) **Field of Classification Search**  
USPC ..... D14/125-134, 239, 371, 136, 374-377,  
D14/440, 450, 448, 336, 342, 159;  
312/7.2; 348/836, 838, 180, 184, 325,  
348/739; 248/917-924, 465; 345/104,  
345/133, 156, 168, 87, 173; D21/329,  
D21/515, 577, 622, 333, 433, 448, 452,  
D21/450, 331, 505; D10/15, 26; 446/484,  
446/175, 356; D6/477, 479, 300; D20/10,  
D20/19, 39; D16/203  
CPC .... G06F 1/1601; G06F 1/1643; H05K 5/0004;  
H05K 5/0017; H05K 5/02; H05K 5/0217;  
H04N 13/0459  
See application file for complete search history.

(56) **References Cited**

**U.S. PATENT DOCUMENTS**

D209,710 S \* 12/1967 Bruce ..... D14/133  
D395,715 S \* 6/1998 Queen ..... D16/203  
6,322,258 B1 \* 11/2001 Ryan ..... G08B 13/196  
396/427  
D460,952 S \* 7/2002 Kataoka ..... D14/126

D461,786 S \* 8/2002 Maruyama ..... D14/126  
D469,744 S \* 2/2003 Lam ..... D14/126  
D475,048 S \* 5/2003 Wu ..... D14/374  
D533,152 S \* 12/2006 Nakata ..... D14/126  
D593,975 S \* 6/2009 Yokota ..... D14/126  
D603,441 S \* 11/2009 Wada ..... D16/203  
D628,171 S \* 11/2010 Hakopian ..... D14/126  
D661,673 S \* 6/2012 Chiu ..... D14/126  
D705,844 S \* 5/2014 Bart ..... D16/203  
D729,186 S \* 5/2015 Kim ..... D14/126  
D731,579 S \* 6/2015 Bart ..... D16/203  
D733,690 S \* 7/2015 Zukowski ..... D14/228

(Continued)

**FOREIGN PATENT DOCUMENTS**

EM 0003224666-0001 6/2005  
JP 64-38067 U 3/1989

(Continued)

**OTHER PUBLICATIONS**

English translation of Bibliographic data of the publications listed above (64-38067, H4-343, 0003224666-0001 and D1124278).

*Primary Examiner* — Raphael Barkai  
(74) *Attorney, Agent, or Firm* — Nixon & Vanderhye,  
P.C.

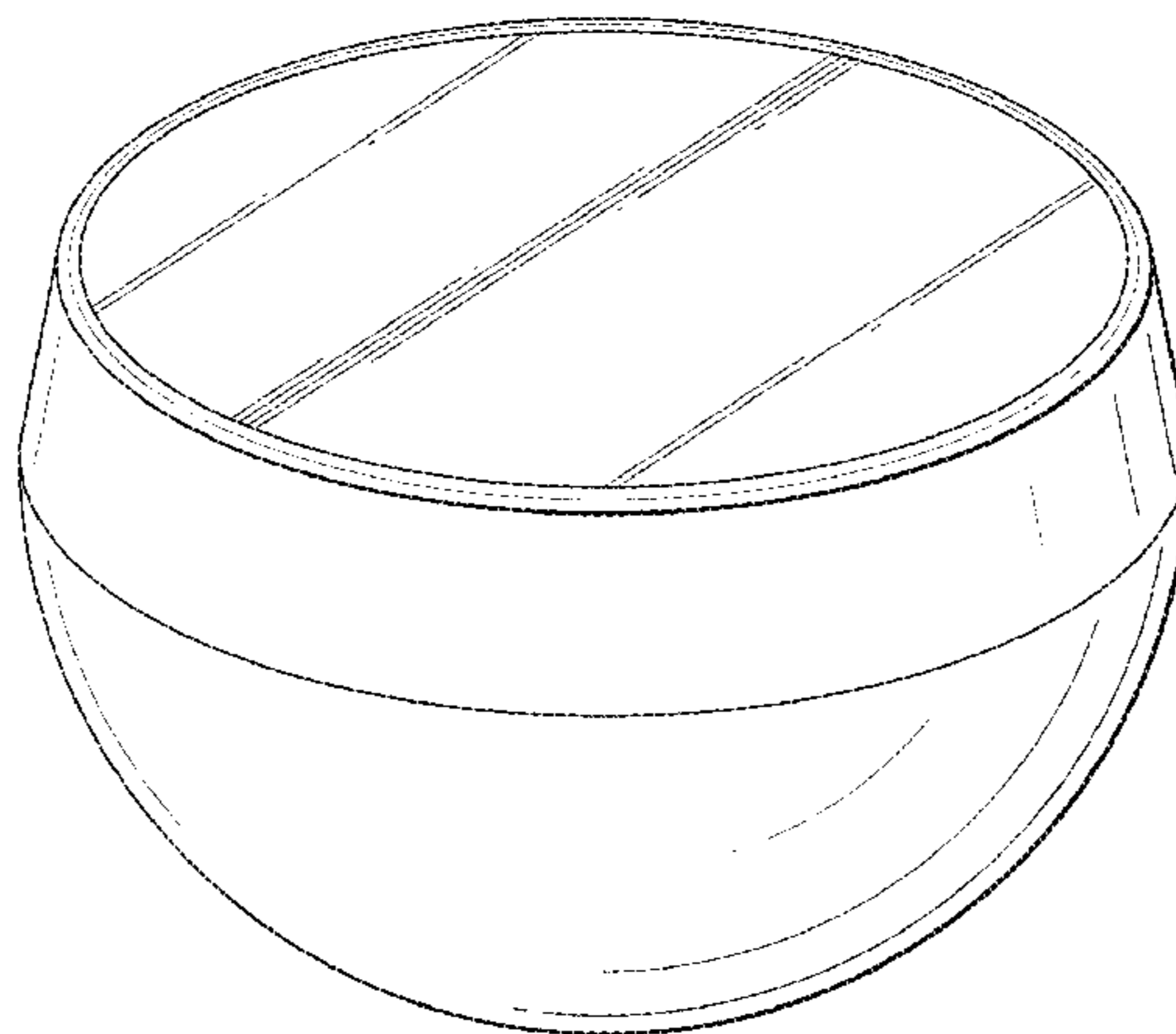
(57) **CLAIM**

The ornamental design for an image display apparatus, as shown and described.

**DESCRIPTION**

FIG. 1 is a front perspective view of an image display apparatus in accordance with our new design in which a display screen is shown as a flat display surface; FIG. 2 is a front elevation view thereof; FIG. 3 is a back elevation view thereof; FIG. 4 is a top plan view thereof; FIG. 5 is a bottom plan view thereof; FIG. 6 is a right side elevation view thereof; and, FIG. 7 is a left side elevation view thereof.

**1 Claim, 5 Drawing Sheets**



(56)

**References Cited**

U.S. PATENT DOCUMENTS

D736,453 S \* 8/2015 Motzkin ..... D26/128  
D753,752 S \* 4/2016 Ahman ..... D16/203

FOREIGN PATENT DOCUMENTS

JP 4-343 S 12/1993  
JP D1124278 10/2001

\* cited by examiner

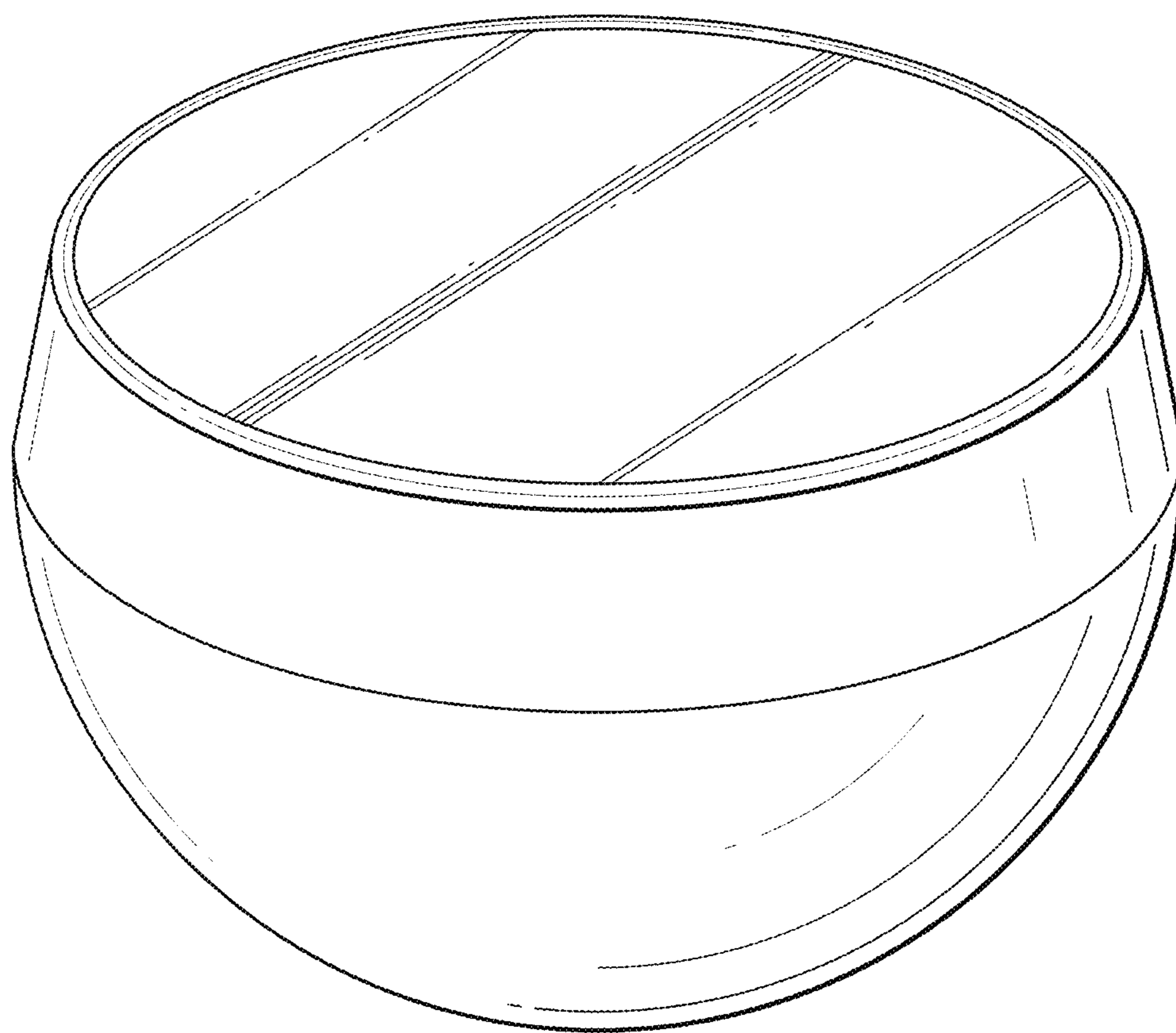


Figure 1

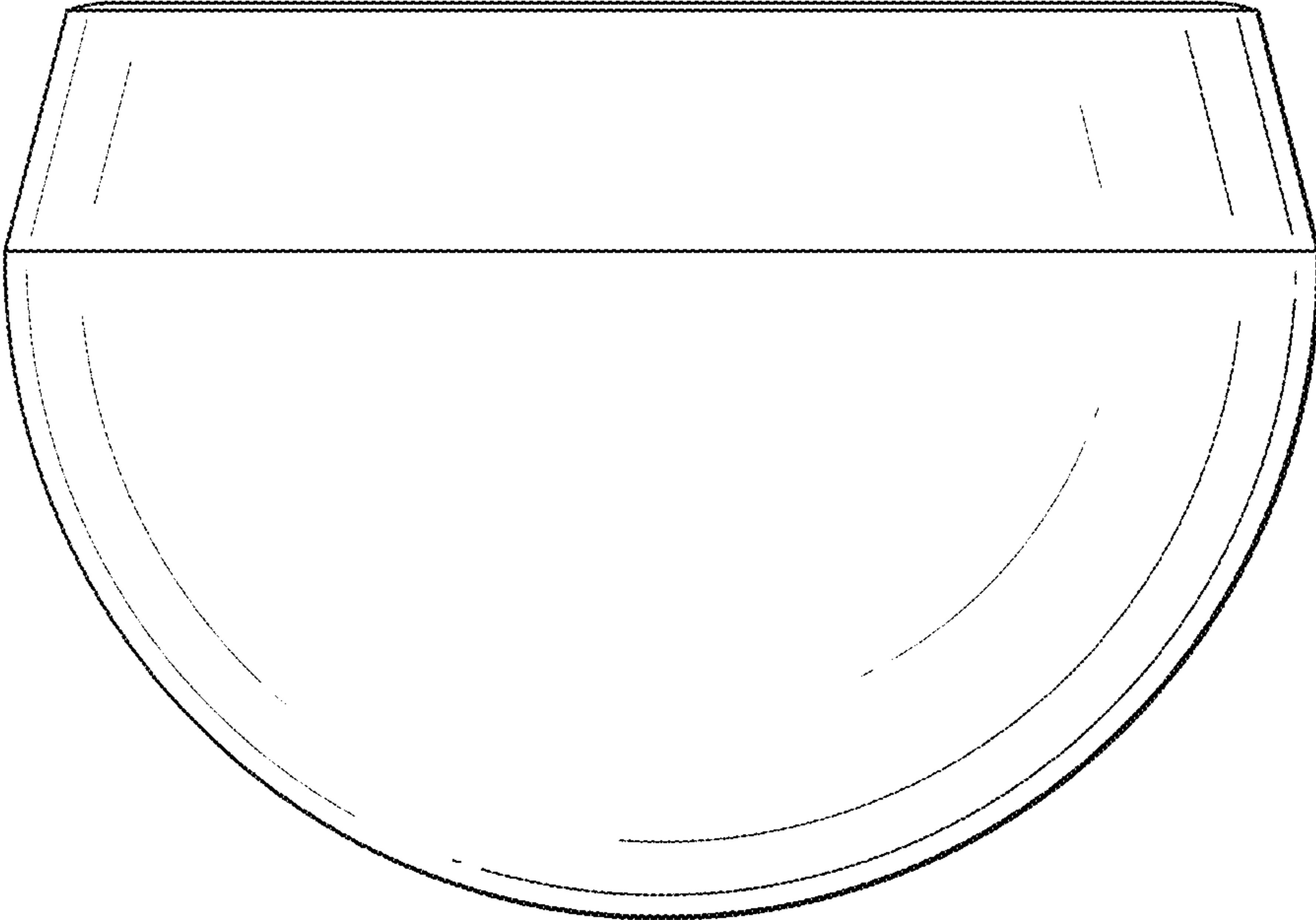


Figure 2

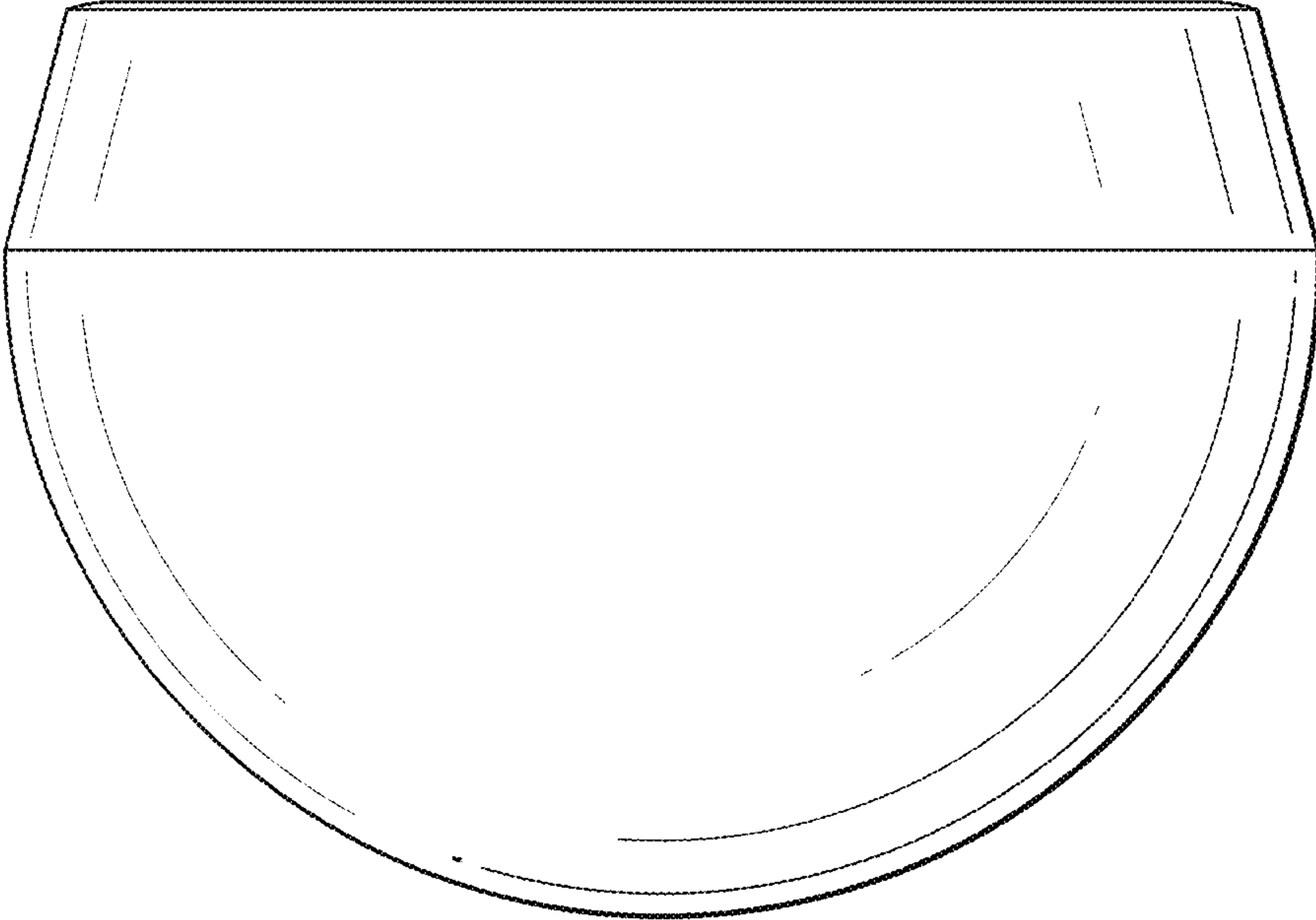


Figure 3

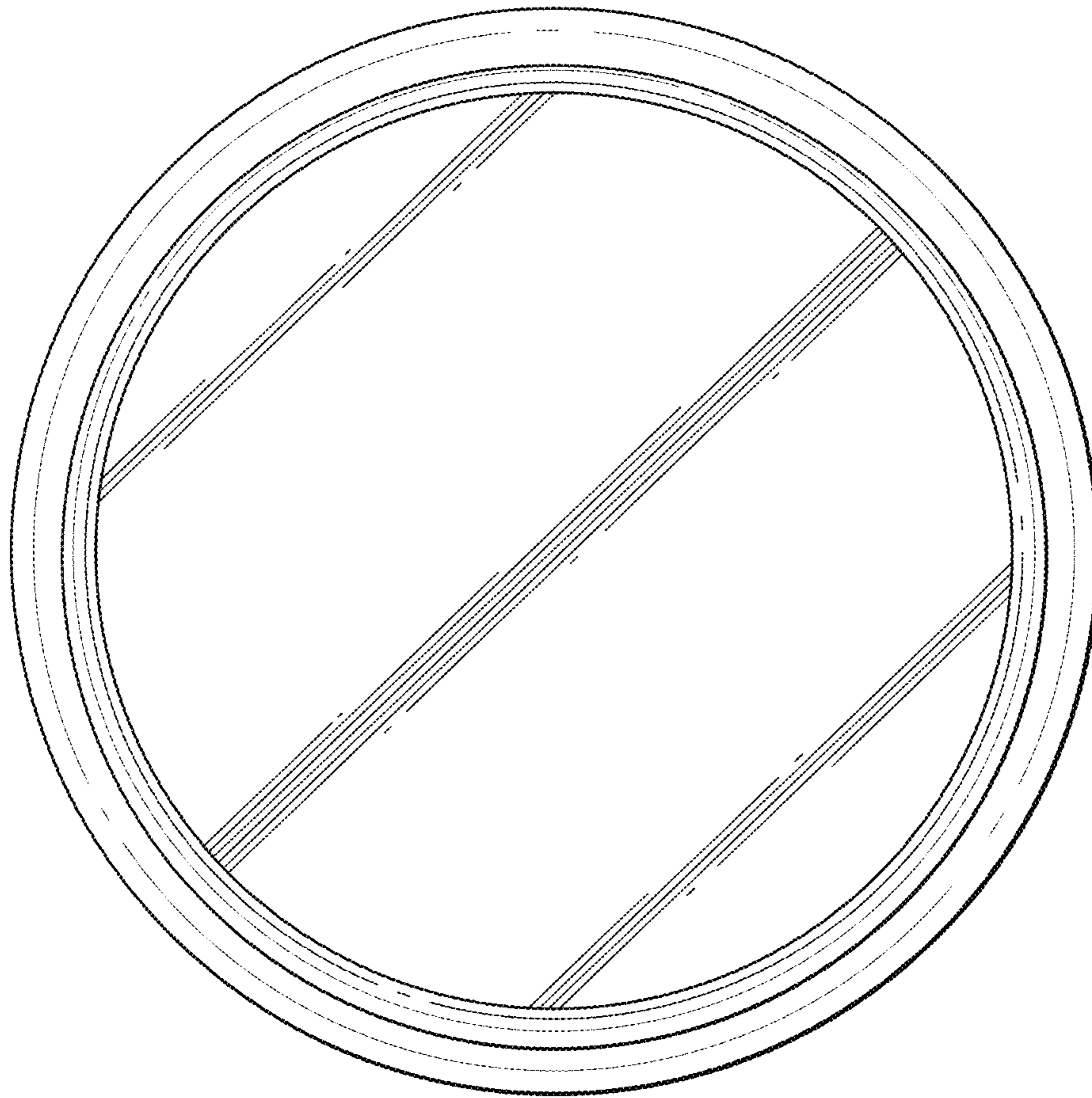


Figure 4

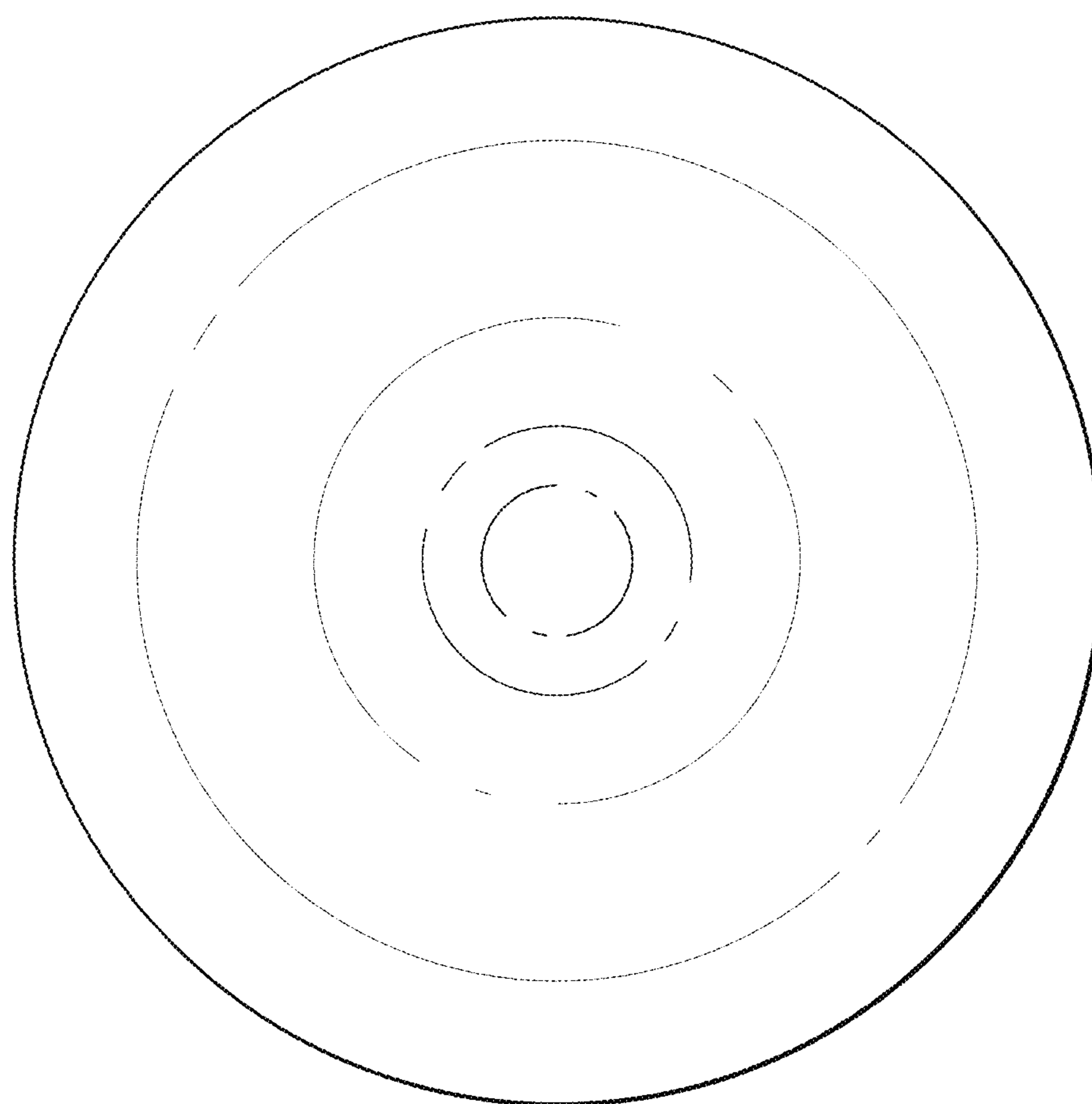


Figure 5

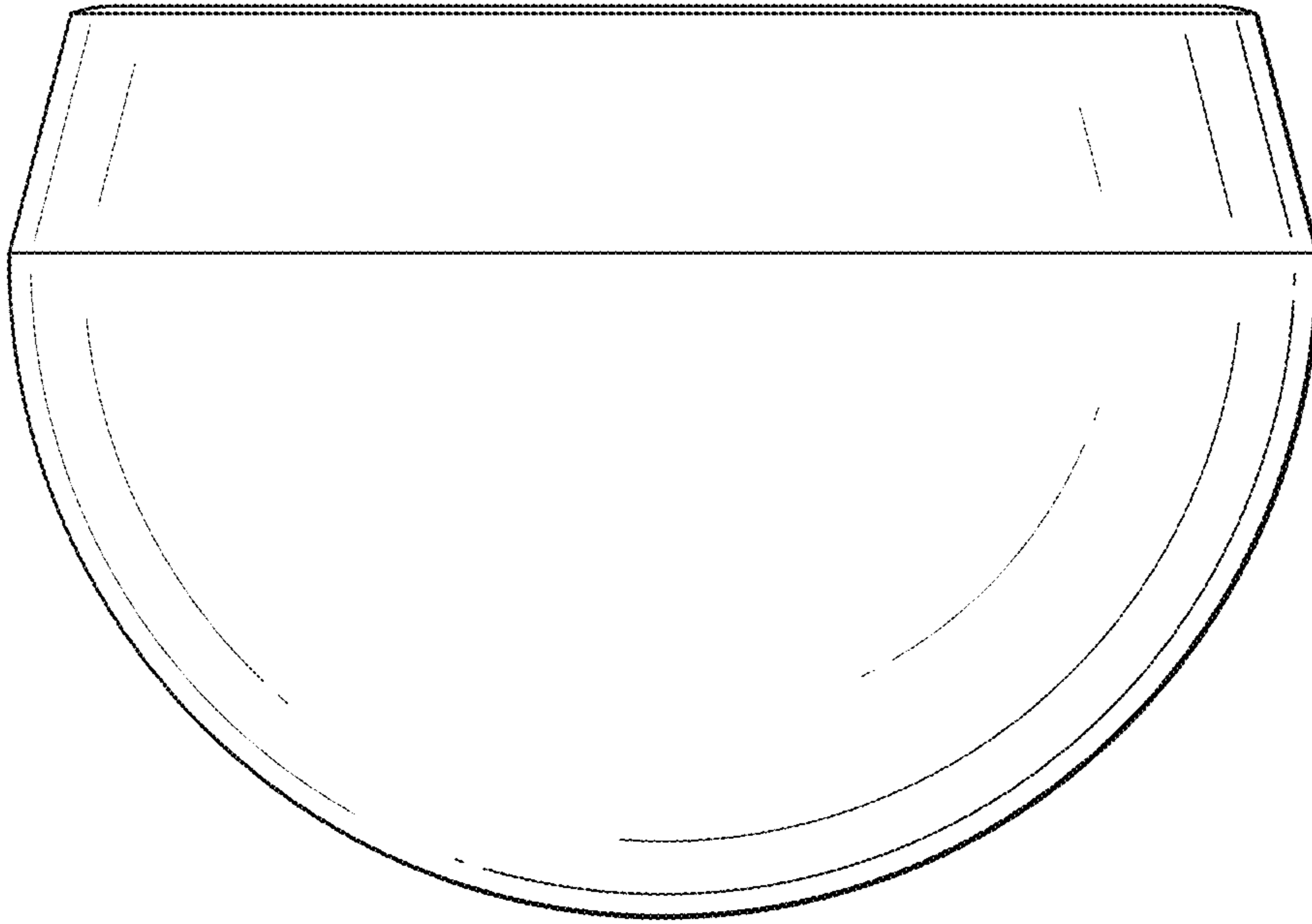


Figure 6

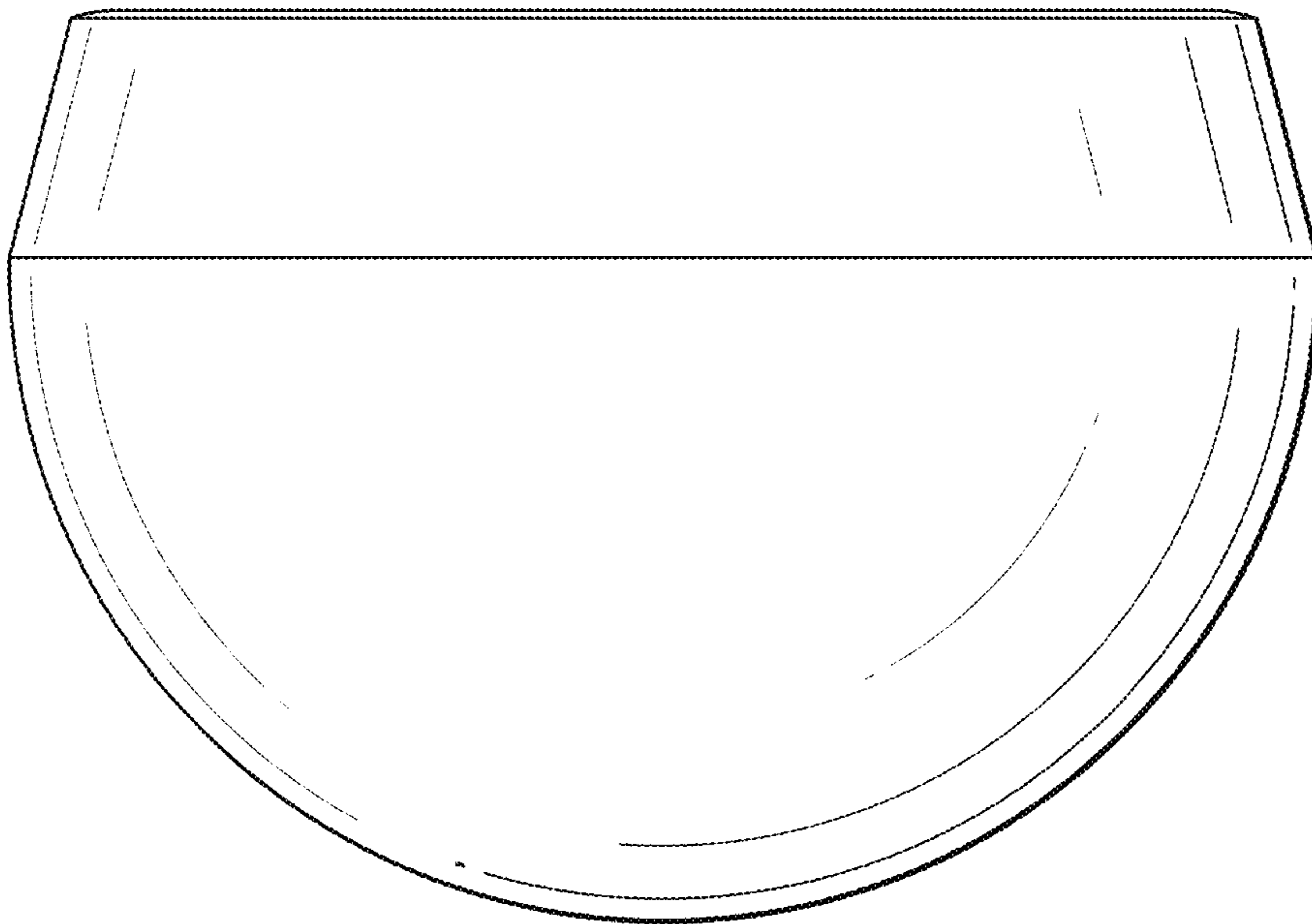


Figure 7