



US00D774012S

(12) **United States Design Patent** (10) **Patent No.:** **US D774,012 S**
Lee (45) **Date of Patent:** **** *Dec. 13, 2016**

(54) **TV RECEIVER**

(71) Applicant: **LG ELECTRONICS INC.**, Seoul (KR)

(72) Inventor: **Yongsok Lee**, Seoul (KR)

(73) Assignee: **LG ELECTRONICS INC.**, Seoul (KR)

(*) Notice: This patent is subject to a terminal disclaimer.

(**) Term: **15 Years**

(21) Appl. No.: **29/529,232**

(22) Filed: **Jun. 4, 2015**

(30) **Foreign Application Priority Data**

Dec. 5, 2014 (KR) 30-2014-0059305

(51) **LOC (10) Cl.** **14-03**

(52) **U.S. Cl.**
USPC **D14/126**

(58) **Field of Classification Search**
USPC D14/125-134, 239, 371, 136, 374-377, D14/440, 450, 448, 336, 342, 159; 312/7.2; 348/836, 838, 180, 184, 325, 348/739; 248/917-924, 465; 345/104, 345/133, 156, 168, 87, 173; D21/329, D21/515, 577, 622, 333, 433, 448, 452, D21/450, 331, 505; D10/15, 26; 446/484, 446/175, 356; D6/477, 479, 300; D20/10, D20/19, 39

(Continued)

(56) **References Cited**

U.S. PATENT DOCUMENTS

D436,629 S * 1/2001 Fawkes D14/128
D490,063 S * 5/2004 Miller D14/126

(Continued)

Primary Examiner — Raphael Barkai

(74) *Attorney, Agent, or Firm* — Birch, Stewart, Kolasch & Birch, LLP

(57) **CLAIM**

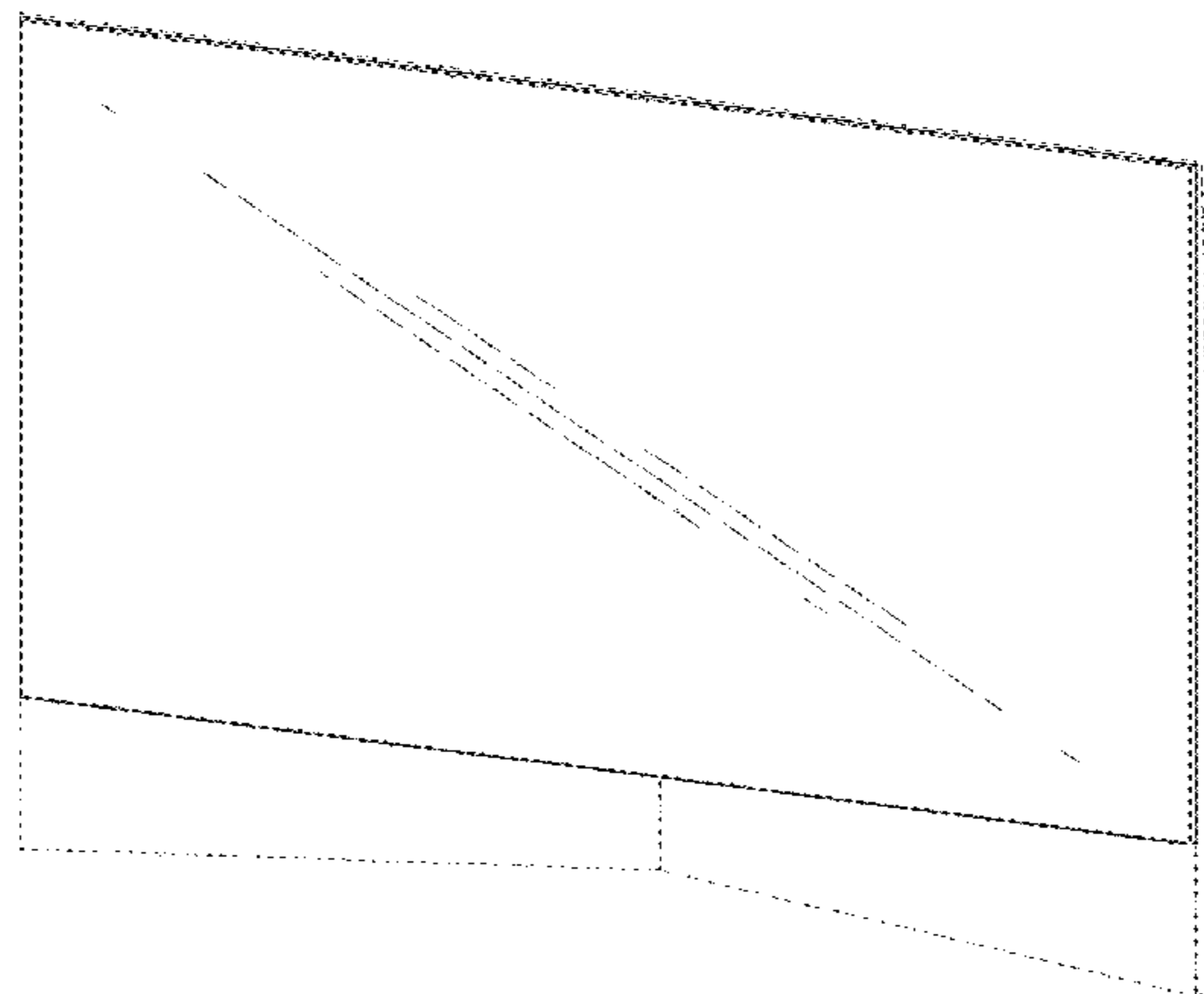
The ornamental design for a TV receiver, as shown and described.

DESCRIPTION

FIG. 1 is a front, right side, perspective view of a TV receiver showing my new design;
FIG. 2 is a front view thereof;
FIG. 3 is a rear view thereof;
FIG. 4 is a left side view thereof;
FIG. 5 is a right side view thereof;
FIG. 6 is a top view thereof;
FIG. 7 is a bottom view thereof;
FIG. 8 is a rear, right side, perspective view thereof;
FIG. 9 is a front, right side, perspective view with its front display sliding up slightly thereof;
FIG. 10 is a front view with its front display sliding up slightly thereof;
FIG. 11 is a rear view with its front display sliding up slightly thereof;
FIG. 12 is a left side view with its front display sliding up slightly thereof;
FIG. 13 is a right side view with its front display sliding up slightly thereof;
FIG. 14 is a top view with its front display sliding up slightly thereof;
FIG. 15 is a bottom view with its front display sliding up slightly thereof;
FIG. 16 is a front, right side, perspective view with its front display sliding up and bending fully thereof;
FIG. 17 is a front view with its front display sliding up and bending fully thereof;
FIG. 18 is a rear view with its front display sliding, up and bending fully thereof;
FIG. 19 is a left side view with its front display sliding up and bending fully thereof;
FIG. 20 is a right side view with its front display sliding up and bending fully thereof;
FIG. 21 is a top view with its front display sliding up and bending fully thereof; and,
FIG. 22 is a bottom view with its front display sliding up and bending fully thereof.

The broken lines indicate unclaimed portion of the article that form no part of the claimed design.

1 Claim, 17 Drawing Sheets



(58) **Field of Classification Search**

CPC G06F 1/1601; G06F 1/1643; H05K 5/0004;
H05K 5/0017; H05K 5/02; H05K 5/0217;
H04N 13/0459

See application file for complete search history.

(56) **References Cited**

U.S. PATENT DOCUMENTS

D503,391	S	*	3/2005	Kato	D14/126
D514,536	S	*	2/2006	Villalobos	D14/128
D515,048	S	*	2/2006	Villalobos	D14/128
D572,214	S	*	7/2008	Lewis	D14/126
D650,764	S	*	12/2011	Chiu	D14/126
D661,123	S	*	6/2012	Curbbun	D20/10
D692,844	S	*	11/2013	Seong	D14/126
D709,468	S	*	7/2014	Seo	D14/126
D712,367	S	*	9/2014	Park	D14/126
D718,263	S	*	11/2014	Kim	D14/126
D719,120	S	*	12/2014	Park	D14/126
D730,857	S	*	6/2015	Park	D14/126
D736,168	S	*	8/2015	Kim	D14/126
D737,235	S	*	8/2015	Kim	D14/126
D738,838	S	*	9/2015	Seo	D14/126
D739,840	S	*	9/2015	Park	D14/126
D740,242	S	*	10/2015	Park	D14/126
D742,344	S	*	11/2015	Kim	D14/126
D744,446	S	*	12/2015	Kim	D14/126

* cited by examiner

FIG. 1

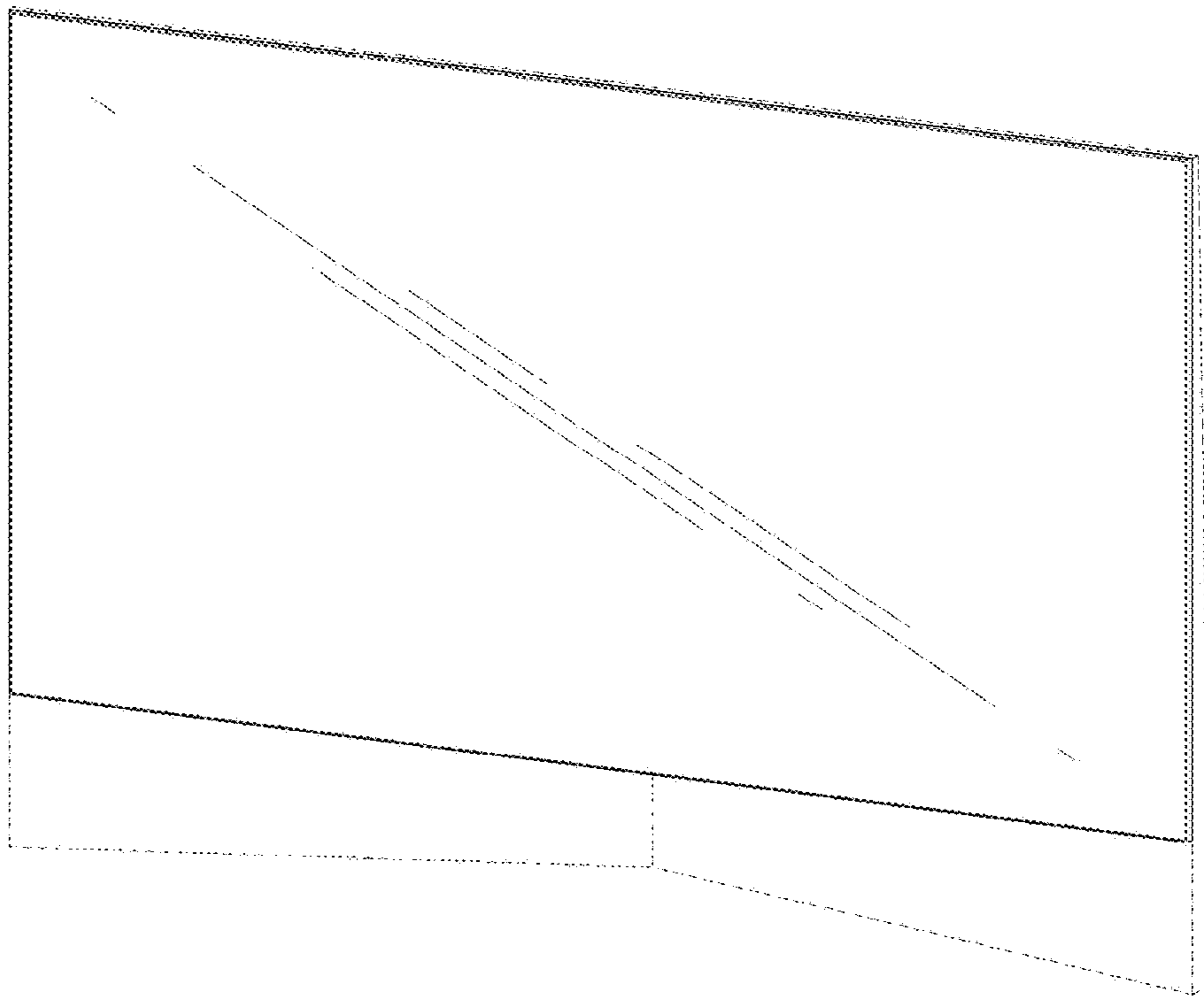


FIG. 2

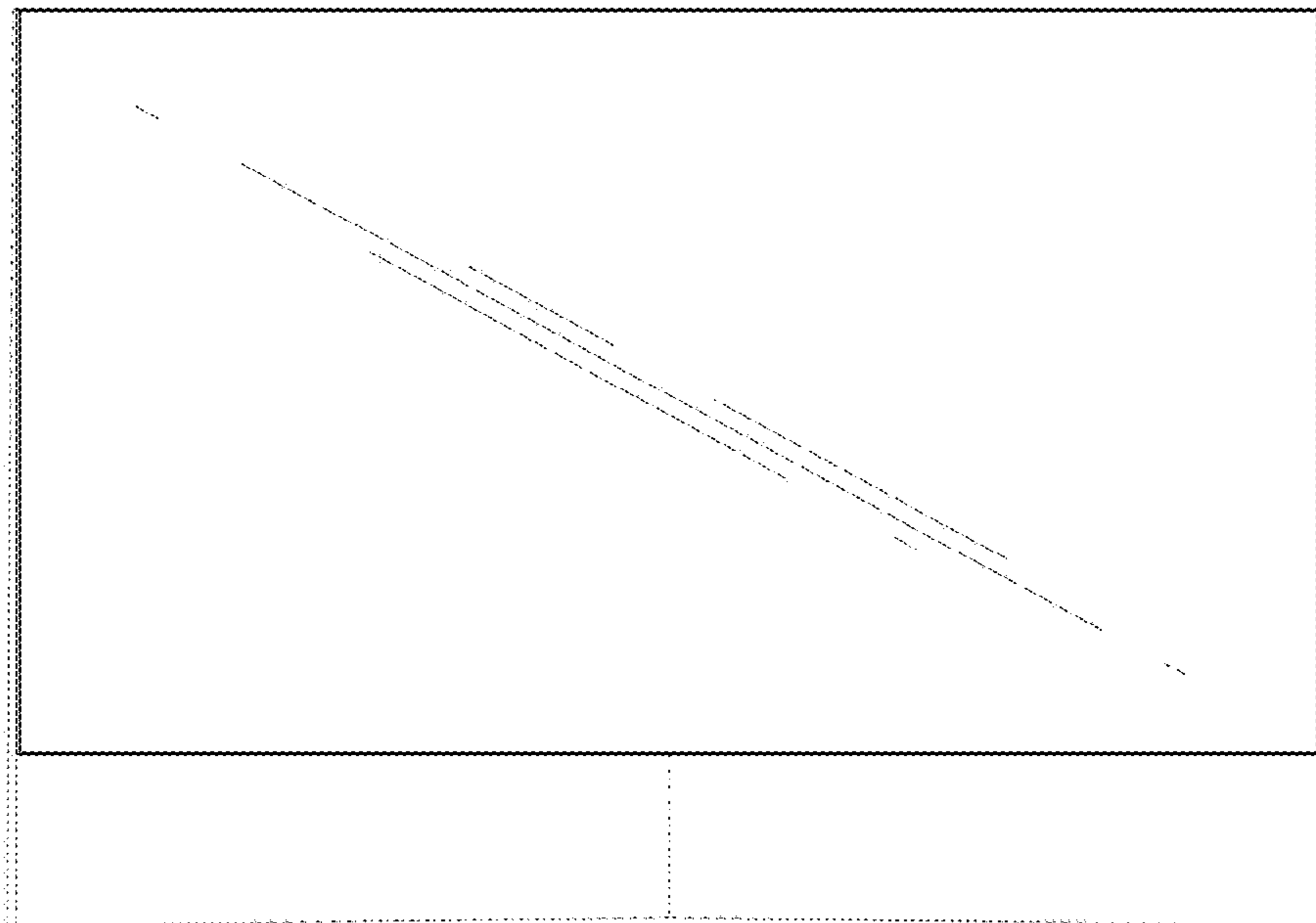


FIG. 3

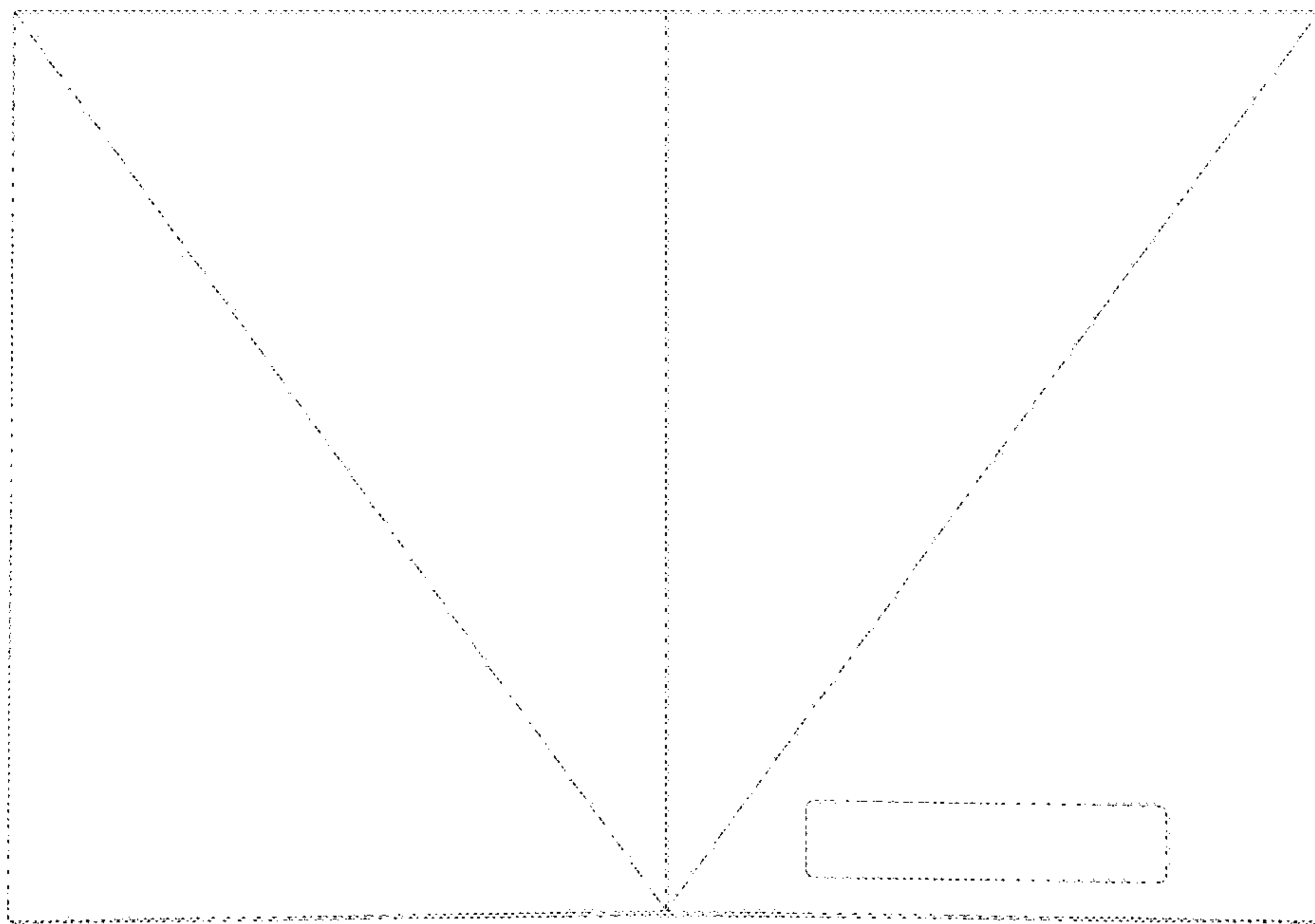


FIG. 4

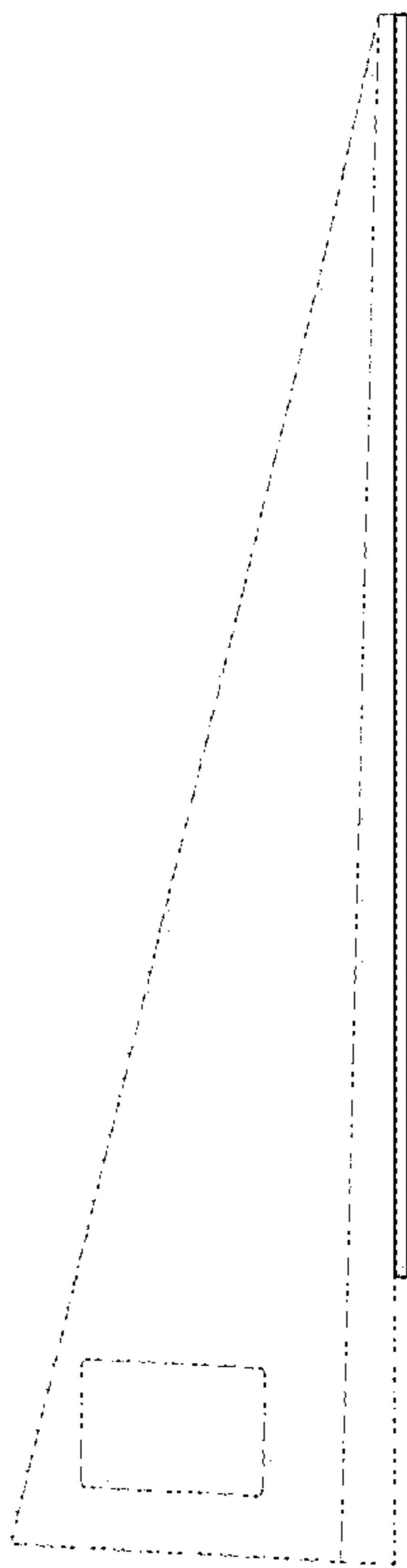


FIG. 5

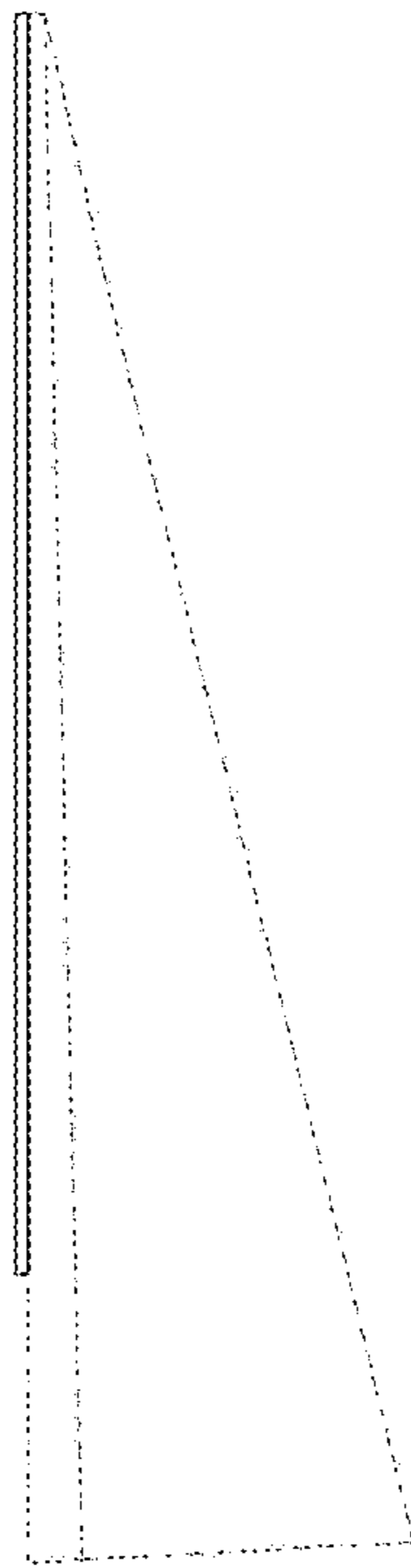


FIG. 6

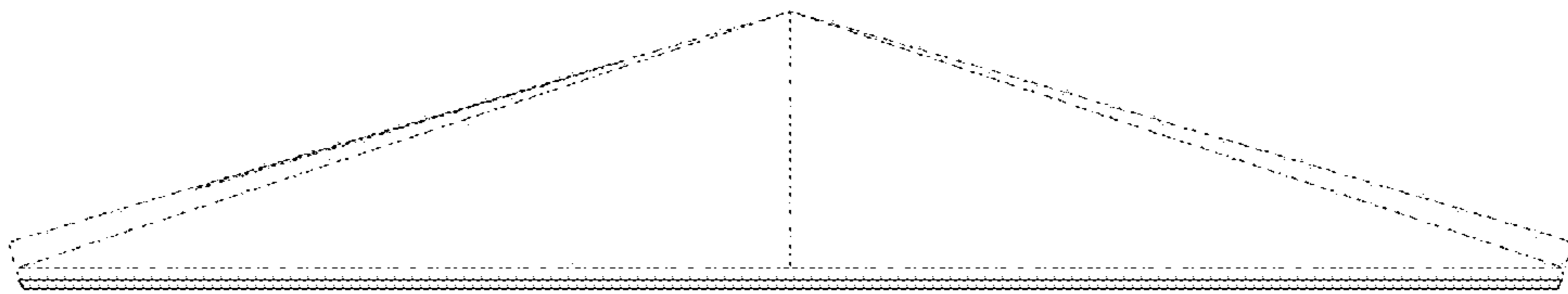


FIG. 7

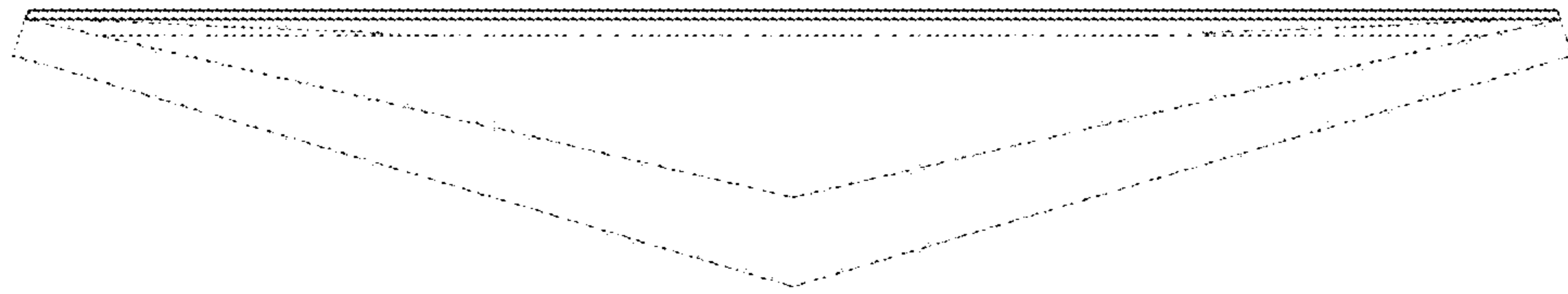


FIG. 8

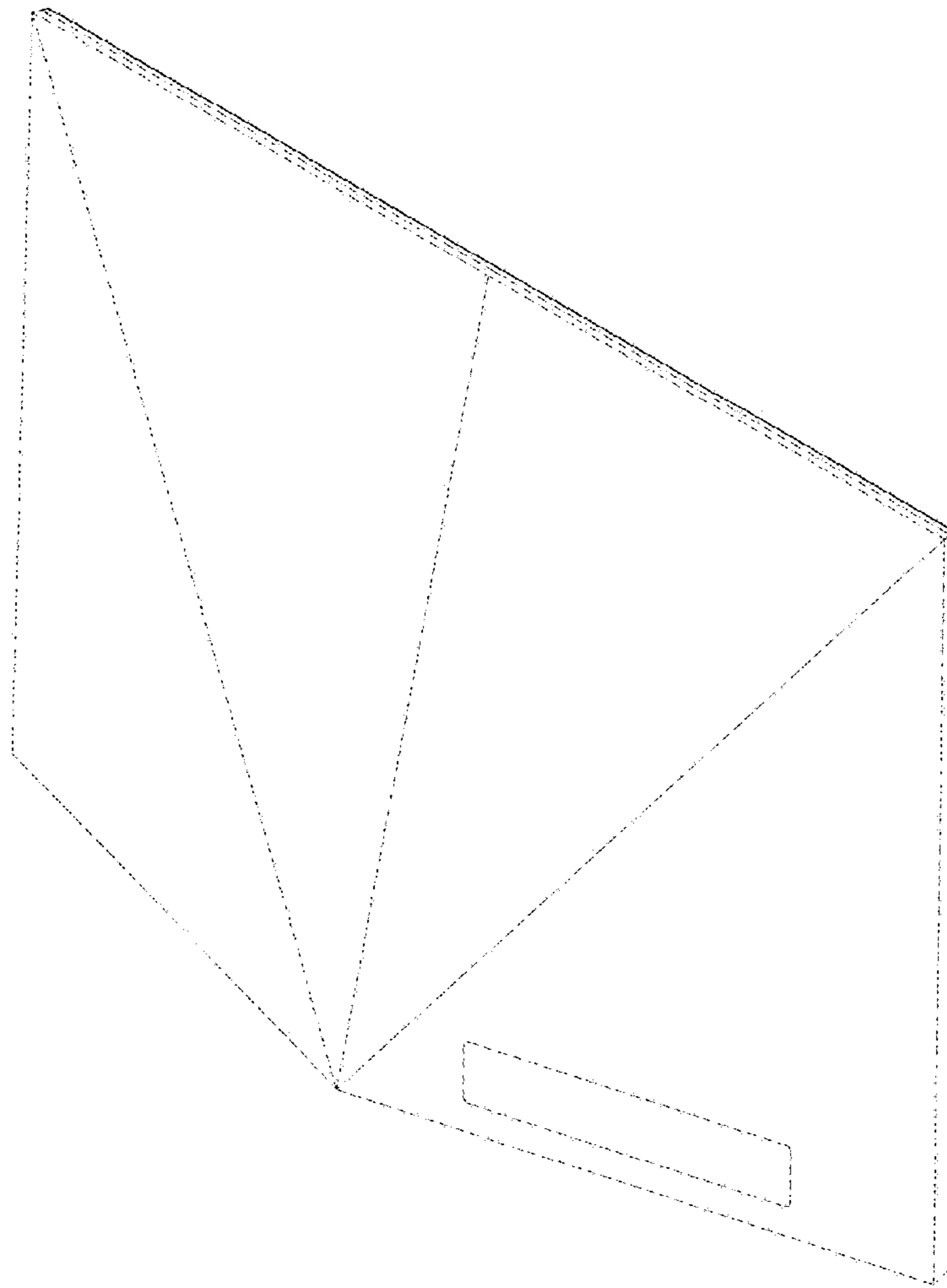


FIG. 9

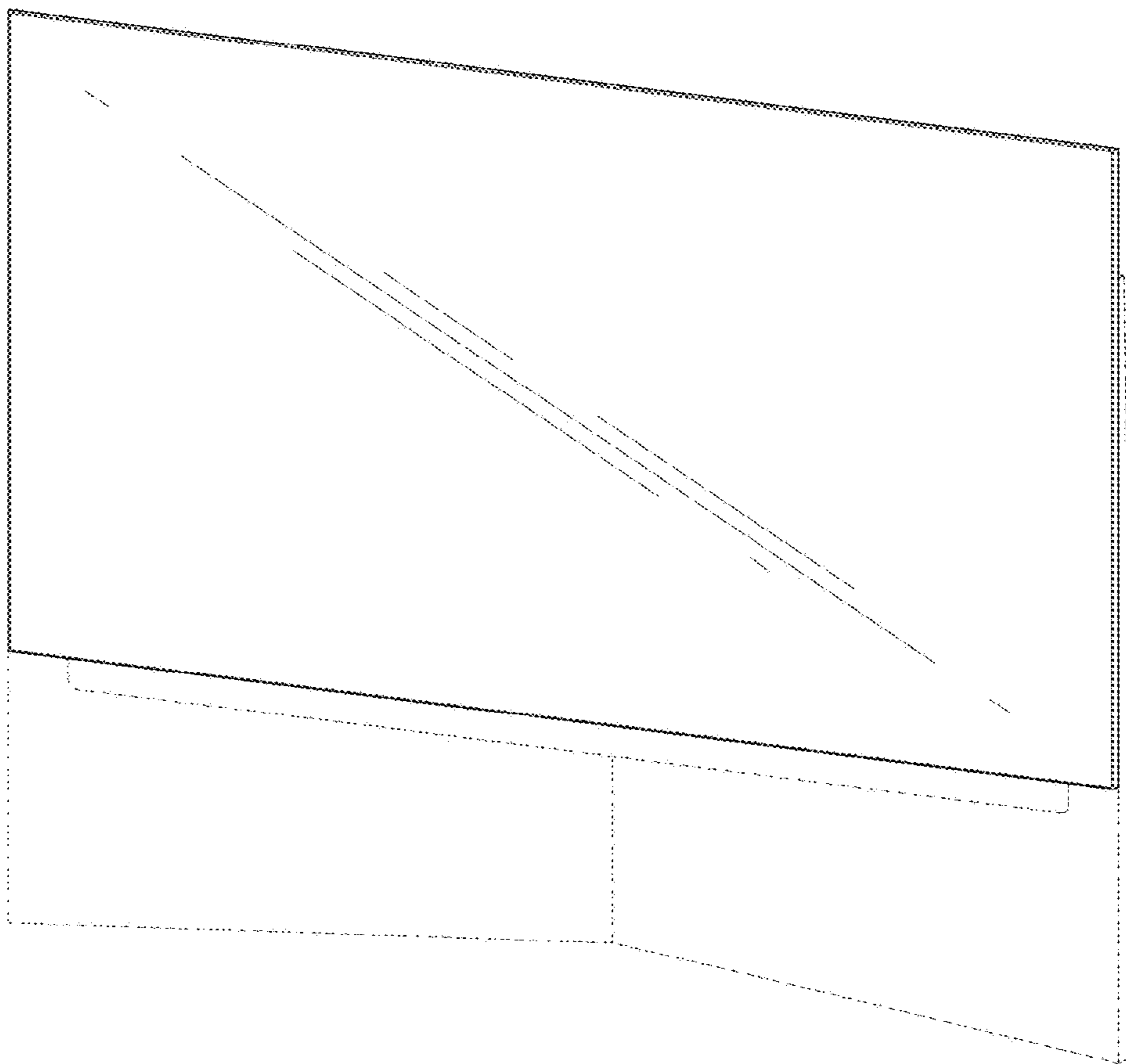


FIG. 10

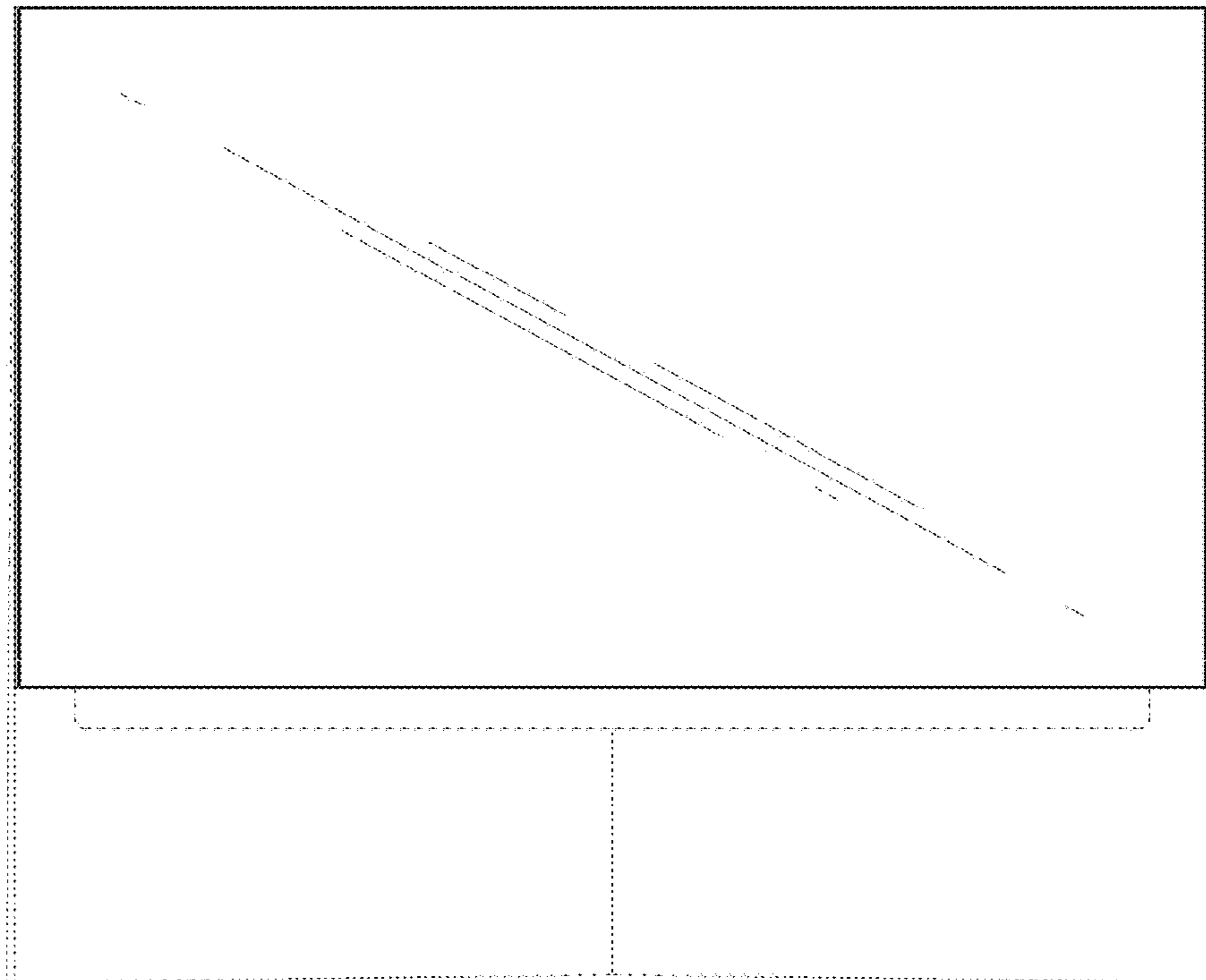


FIG. 11

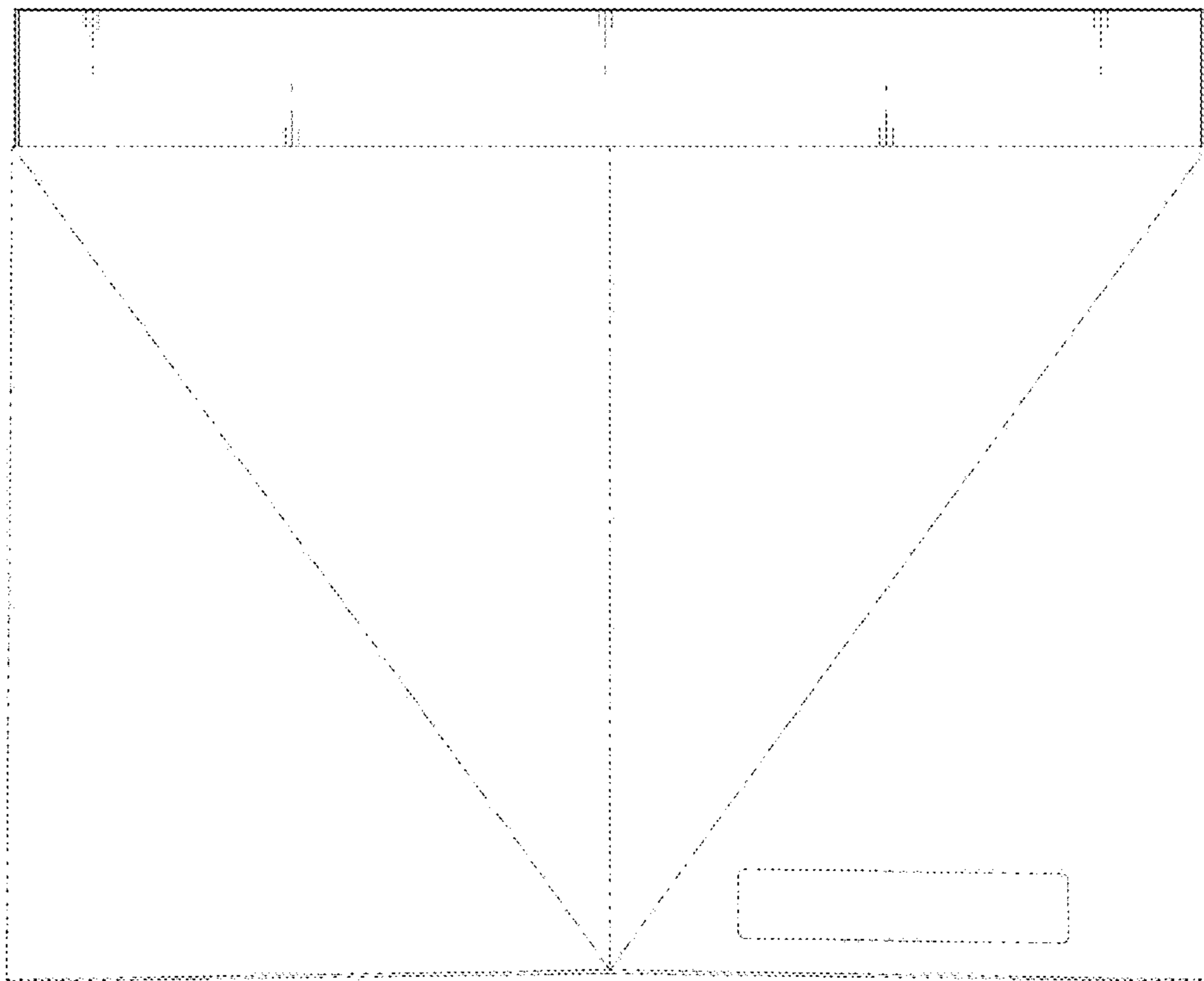


FIG. 12

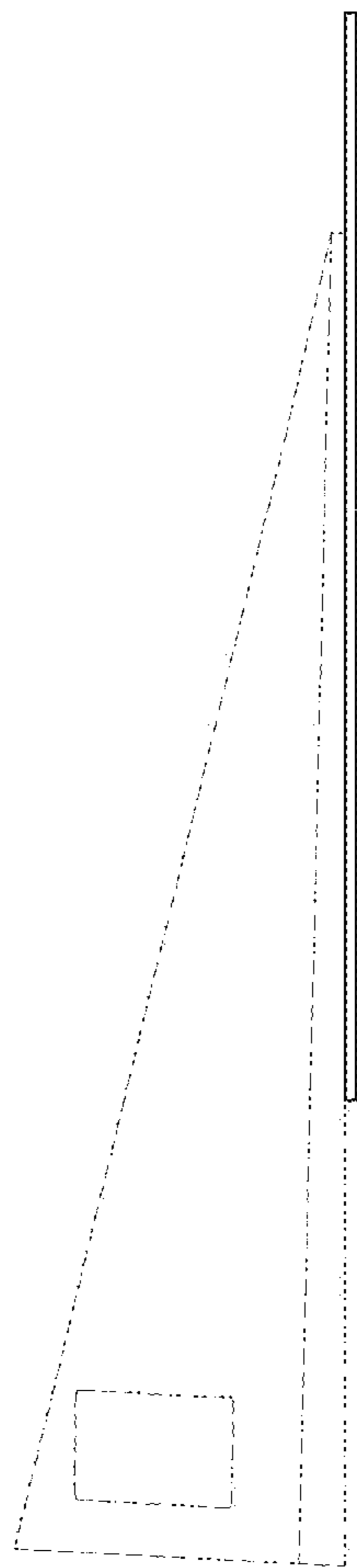


FIG. 13

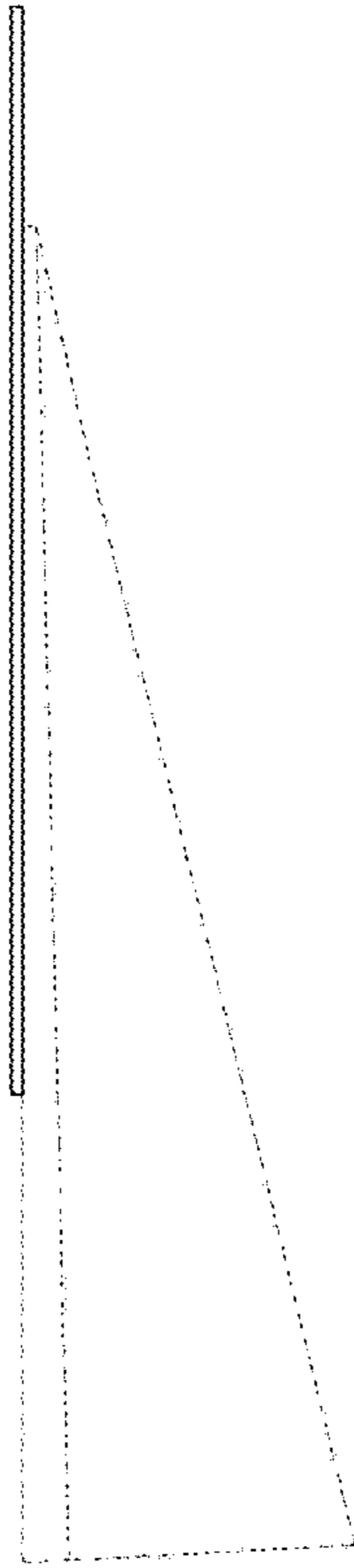


FIG. 14

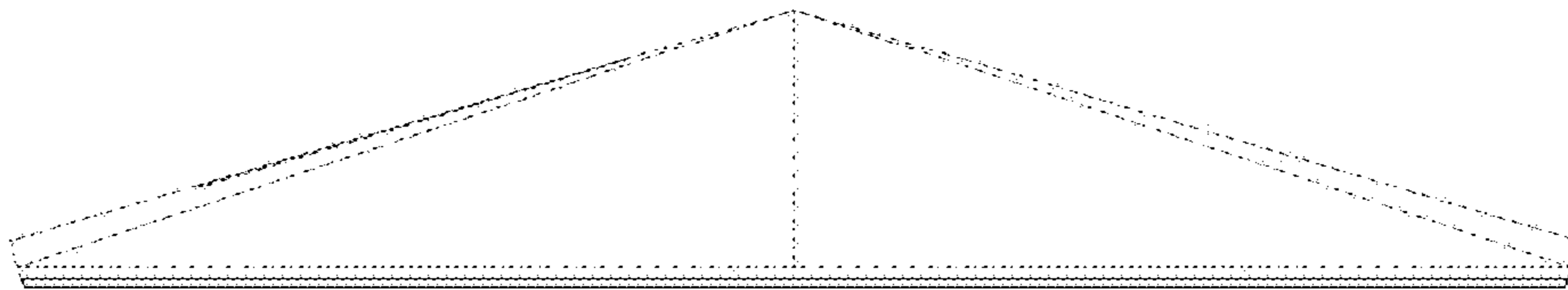


FIG. 15

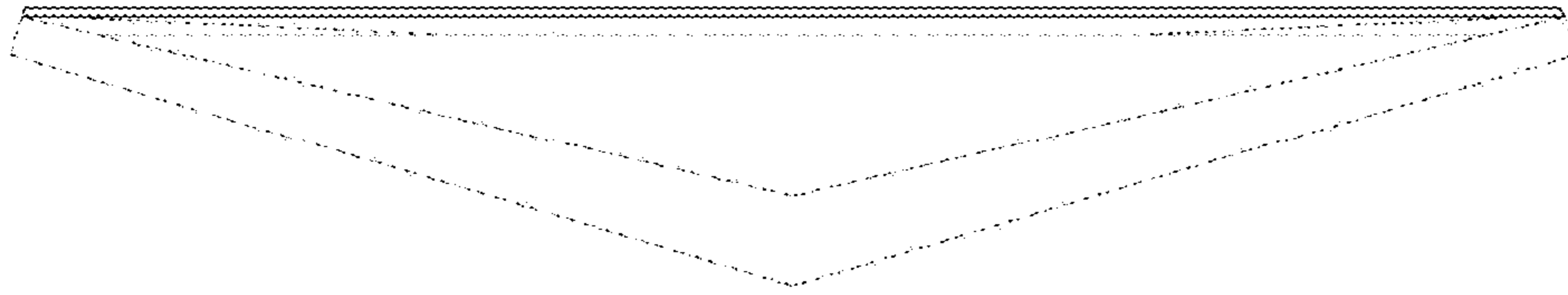


FIG. 16

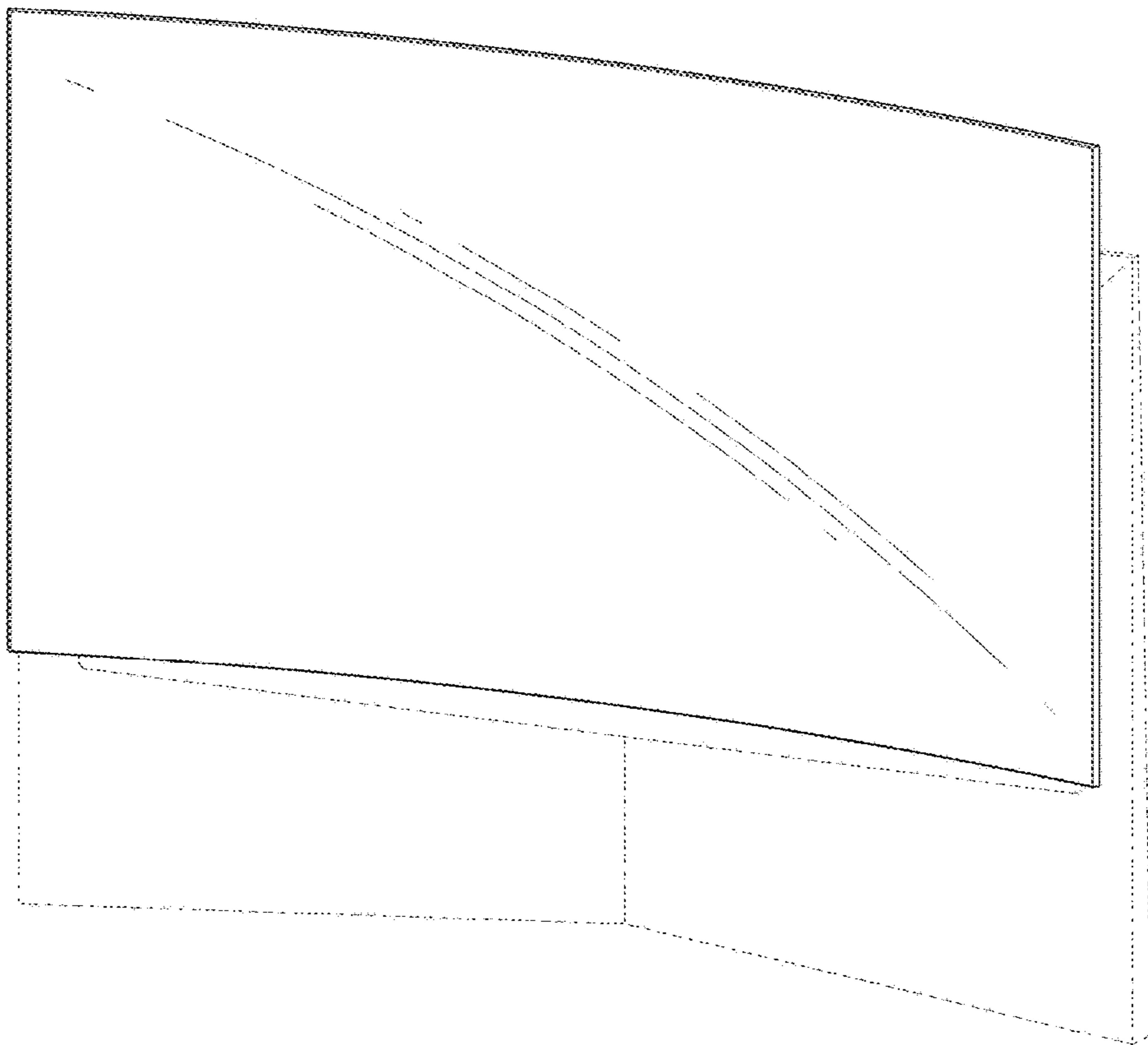


FIG. 17

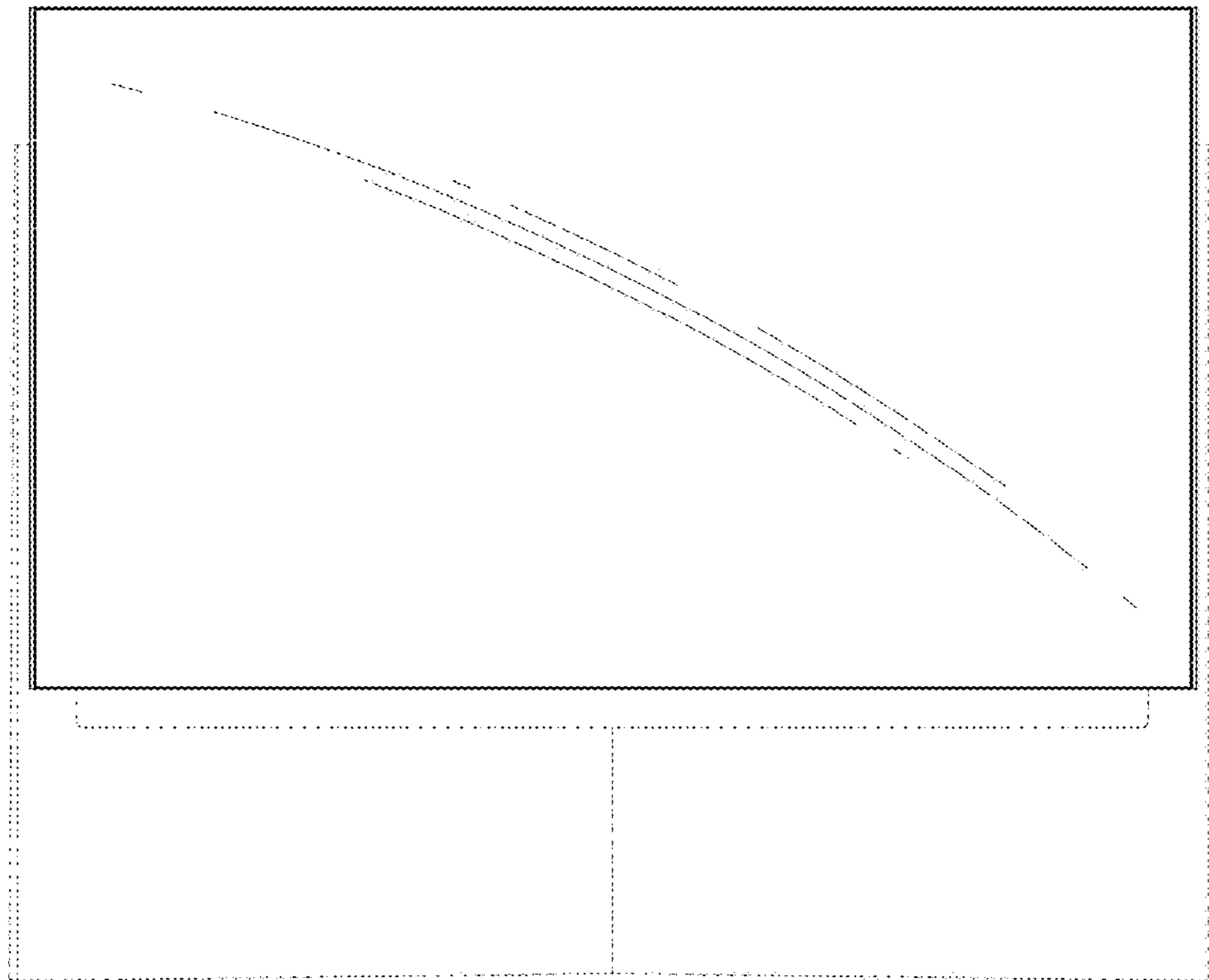


FIG. 18

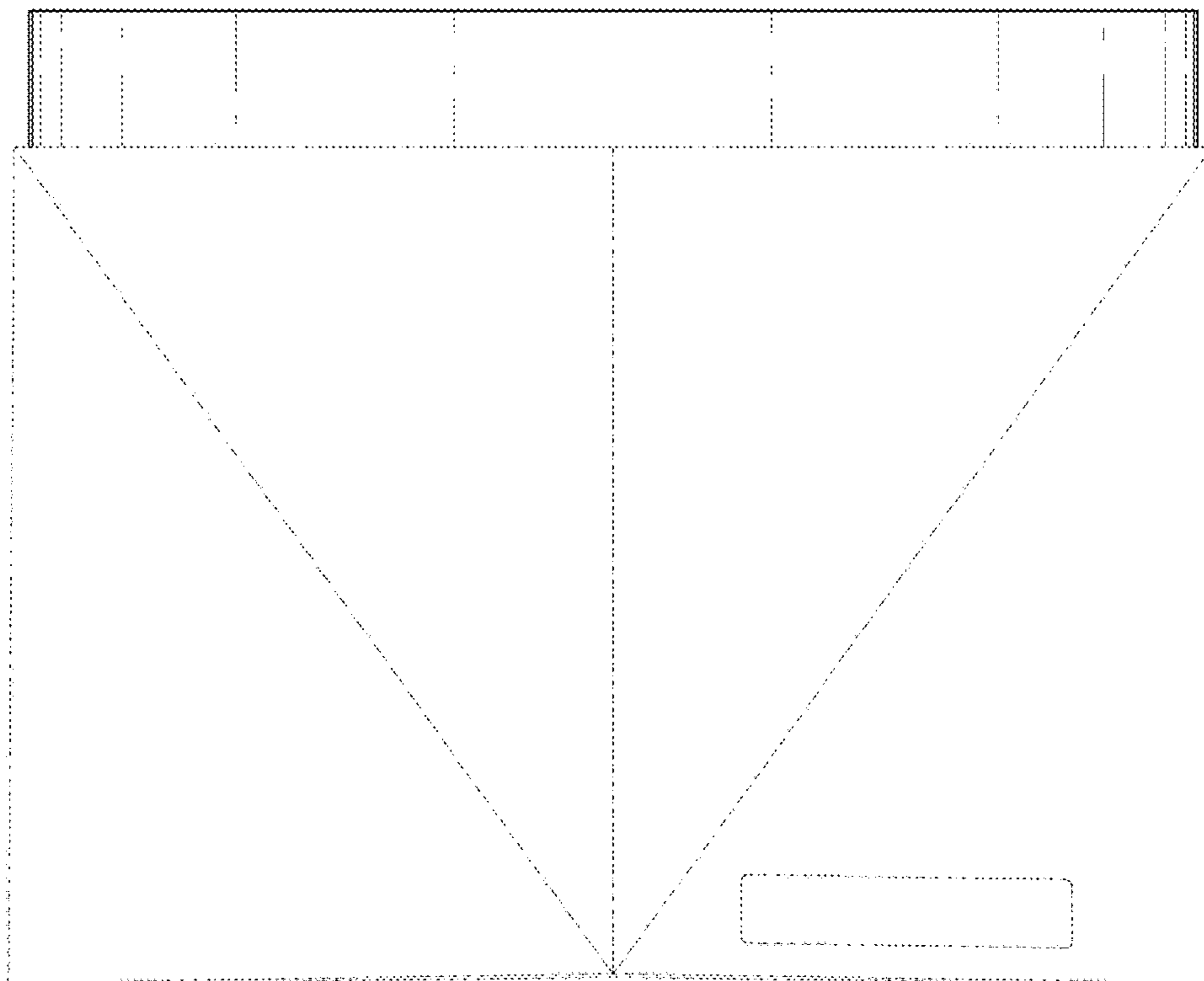


FIG. 19

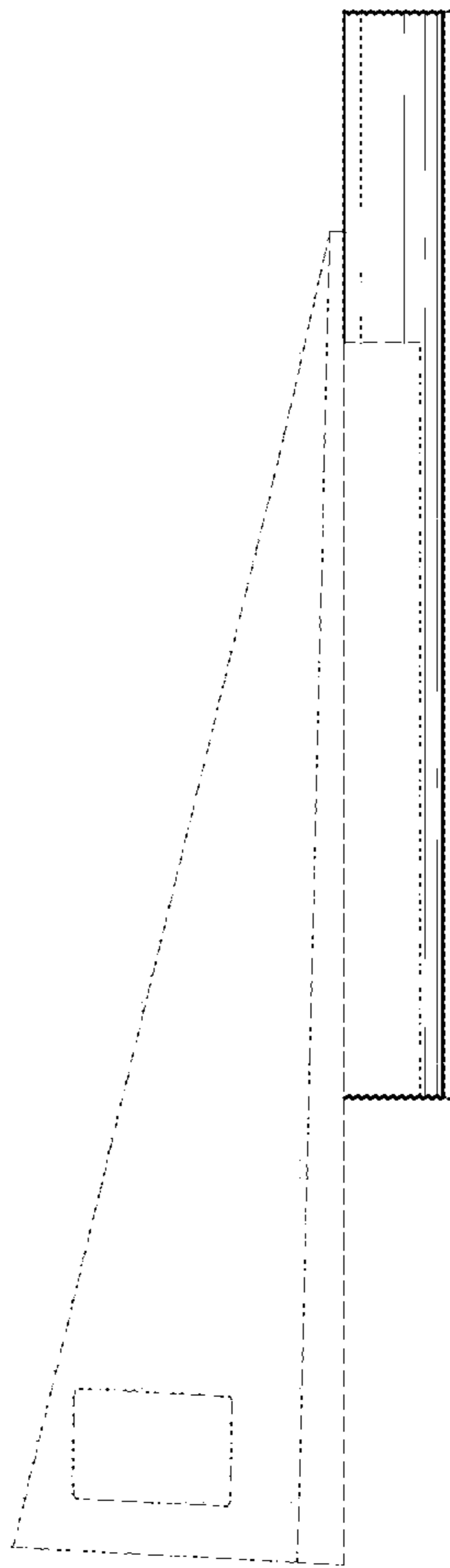


FIG. 20

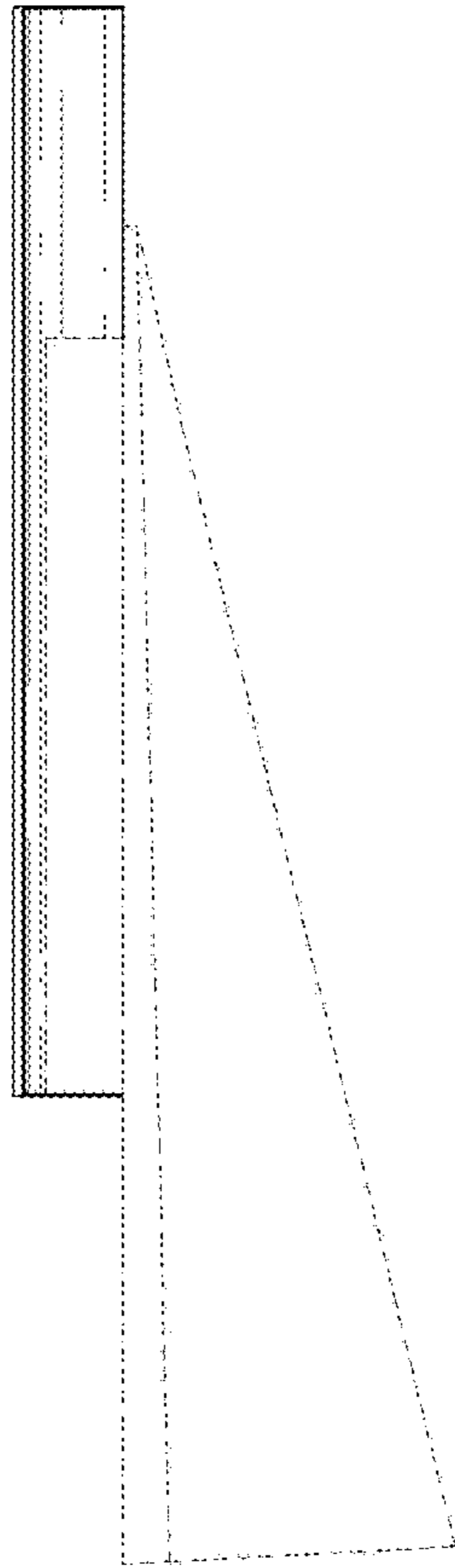


FIG. 21

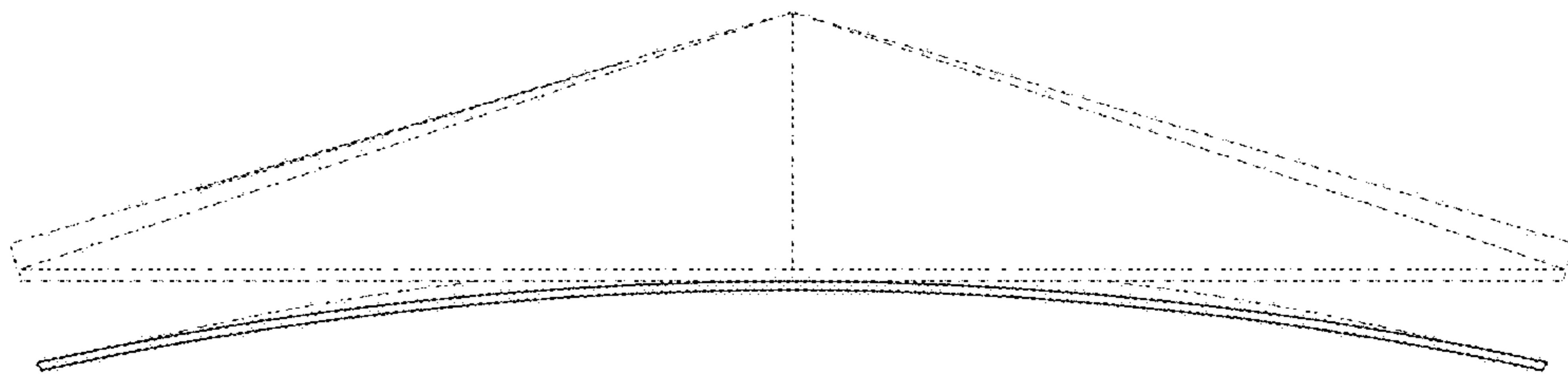


FIG. 22

