



US00D774010S

(12) **United States Design Patent** (10) **Patent No.:** **US D774,010 S**  
**Wang et al.** (45) **Date of Patent:** **\*\* Dec. 13, 2016**

(54) **TELEVISION SET**

(71) Applicants: **Hisense Electric Co., Ltd.**, Qingdao, Shandong (CN); **Hisense USA Corporation**, Suwanee, GA (US)

(72) Inventors: **Shude Wang**, Shandong (CN); **Wenming Zhang**, Shandong (CN)

(73) Assignees: **Hisense Electric Co., Ltd.** (CN); **Hisense USA Corporation**, Suwanee, GA (US)

(\*\*) Term: **14 Years**

(21) Appl. No.: **29/499,138**

(22) Filed: **Aug. 12, 2014**

(30) **Foreign Application Priority Data**

Feb. 13, 2014 (CN) ..... 2014 3 0027030

(51) **LOC (10) Cl.** ..... **14-03**

(52) **U.S. Cl.**  
USPC ..... **D14/126**

(58) **Field of Classification Search**  
USPC ..... 312/7.2; 348/836, 838, 180, 184, 325, 348/739; 248/917-924, 465; 345/104, 345/133, 156, 168, 87, 173; 446/484, 175, 446/356; 160/24  
CPC .... G06F 1/1601; G06F 1/1643; H05K 5/0004; H05K 5/0017; H05K 5/02; H05K 5/0217; H04N 13/0459

See application file for complete search history.

(56) **References Cited**

U.S. PATENT DOCUMENTS

D535,265 S *	1/2007	Inoue .....	D14/126
D726,668 S *	4/2015	Yoo .....	D14/126
D750,584 S *	3/2016	Lee .....	D14/126
D754,620 S *	4/2016	Shin .....	D14/126

\* cited by examiner

*Primary Examiner* — Raphael Barkai

(74) *Attorney, Agent, or Firm* — DLA Piper LLP (US)

(57) **CLAIM**

The ornamental design for a television set, as shown and described.

**DESCRIPTION**

FIG. 1 is a front view of a television set showing of the new design;

FIG. 2 is a rear view of the first embodiment of the new design;

FIG. 3 is a left side view of the first embodiment of the new design;

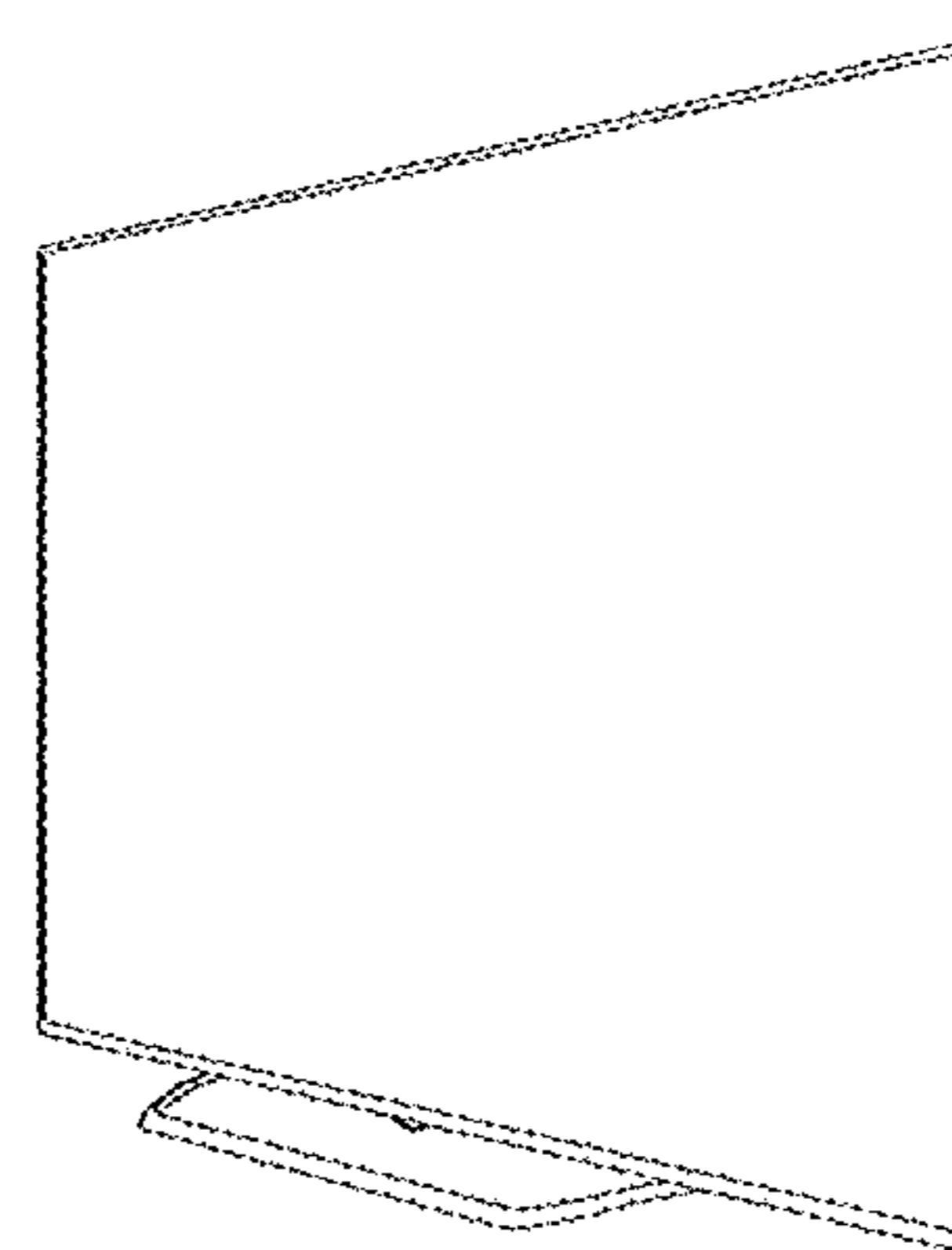
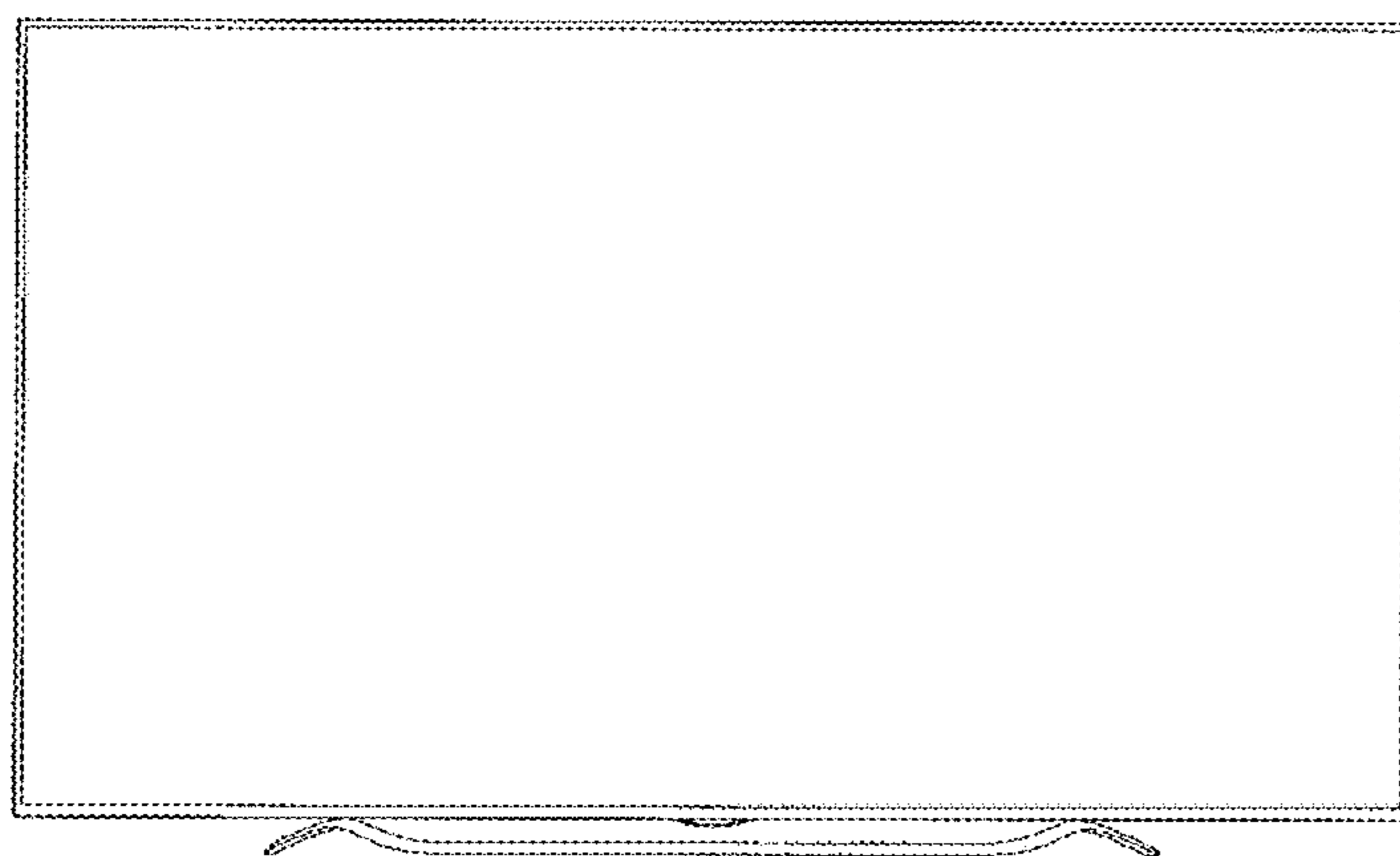
FIG. 4 is a right side view of the first embodiment of the new design;

FIG. 5 is a top view of the first embodiment of the new design;

FIG. 6 is a bottom view of the first embodiment of the new design; and,

FIG. 7 is a stereoscopic view of the first embodiment of the new design.

**1 Claim, 4 Drawing Sheets**



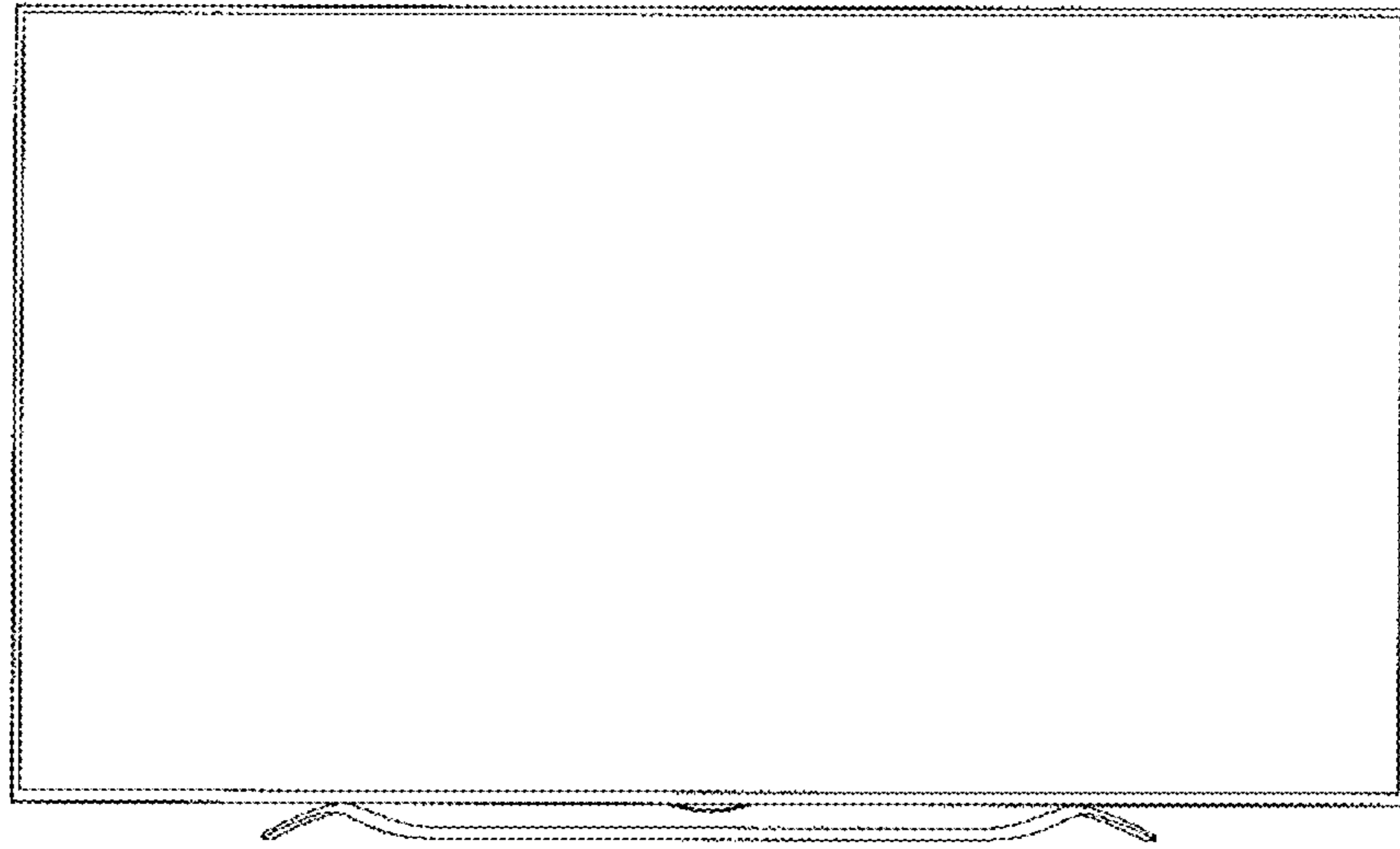


FIG. 1

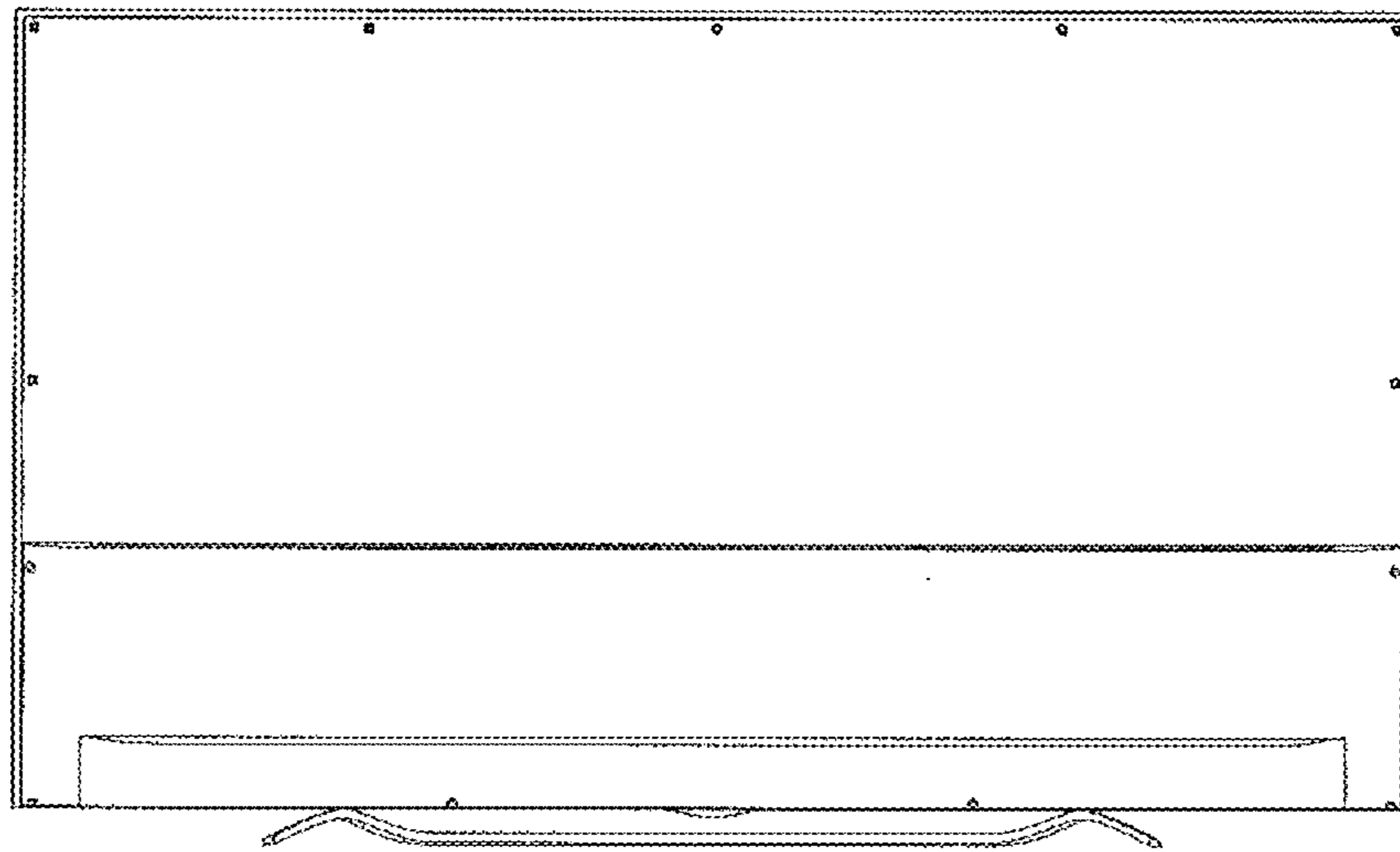


FIG. 2

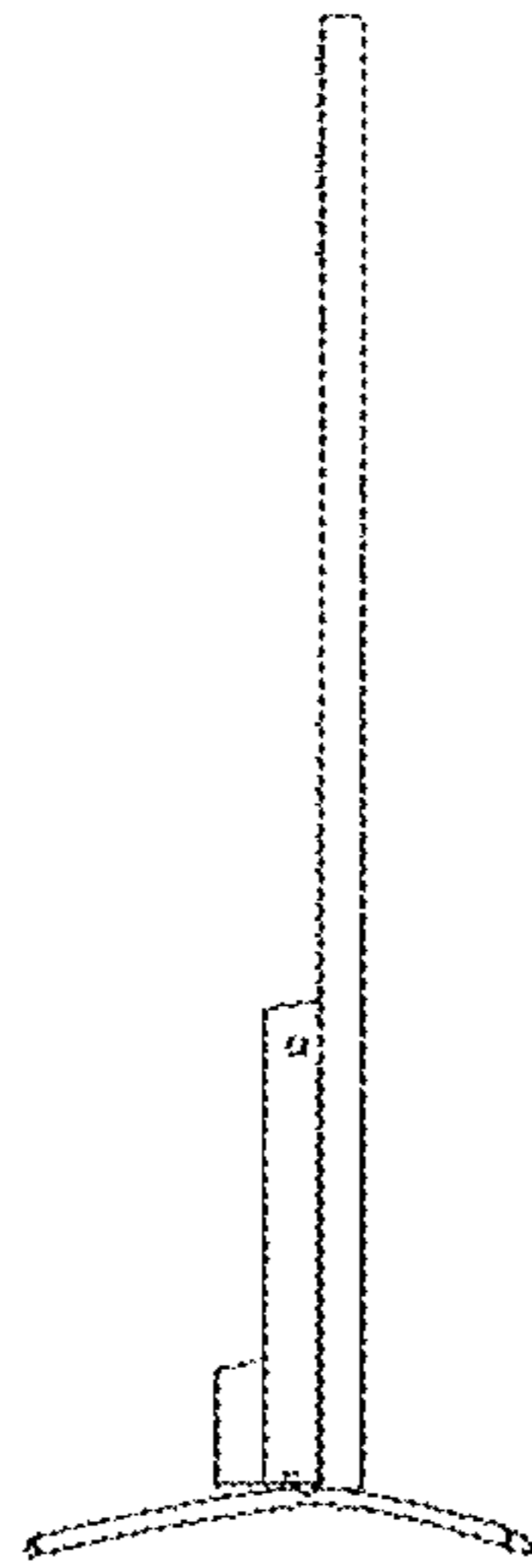


FIG. 3

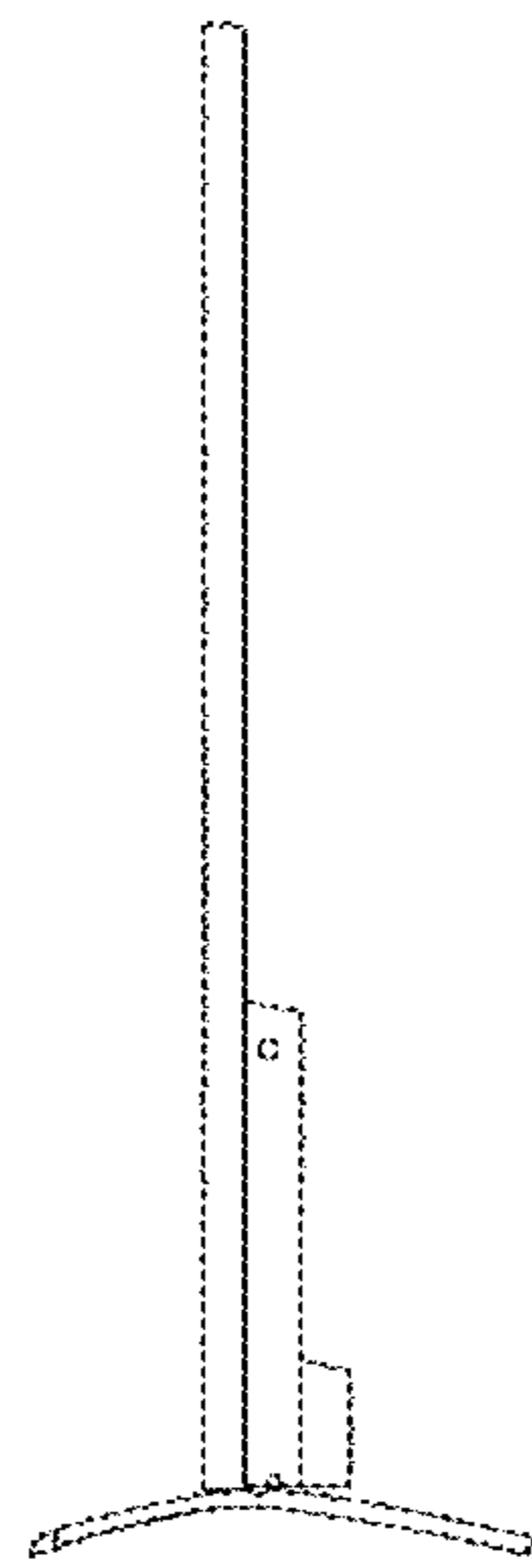


FIG. 4

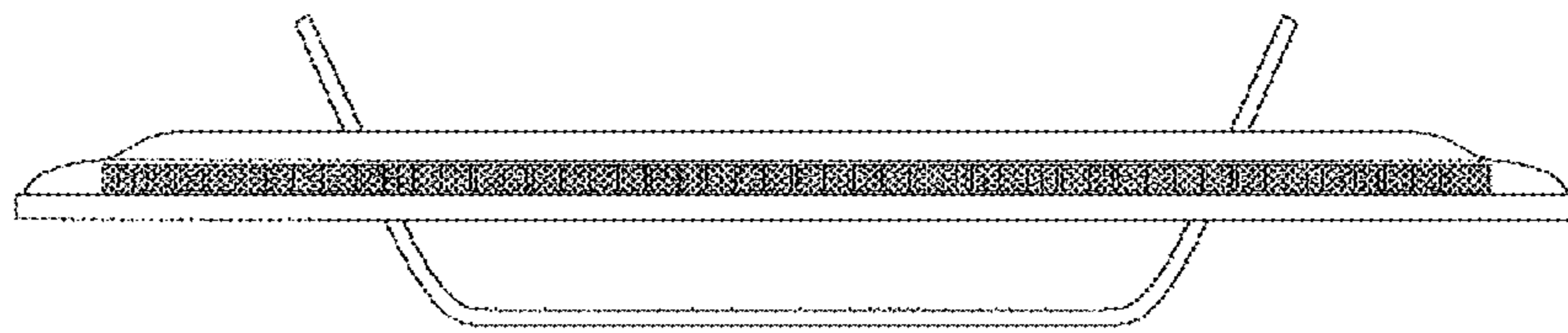


FIG. 5

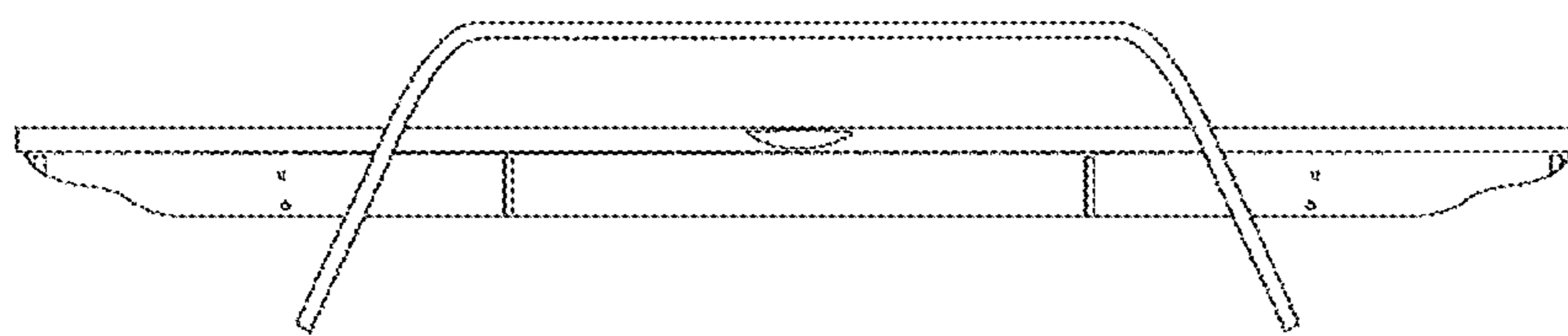


FIG. 6

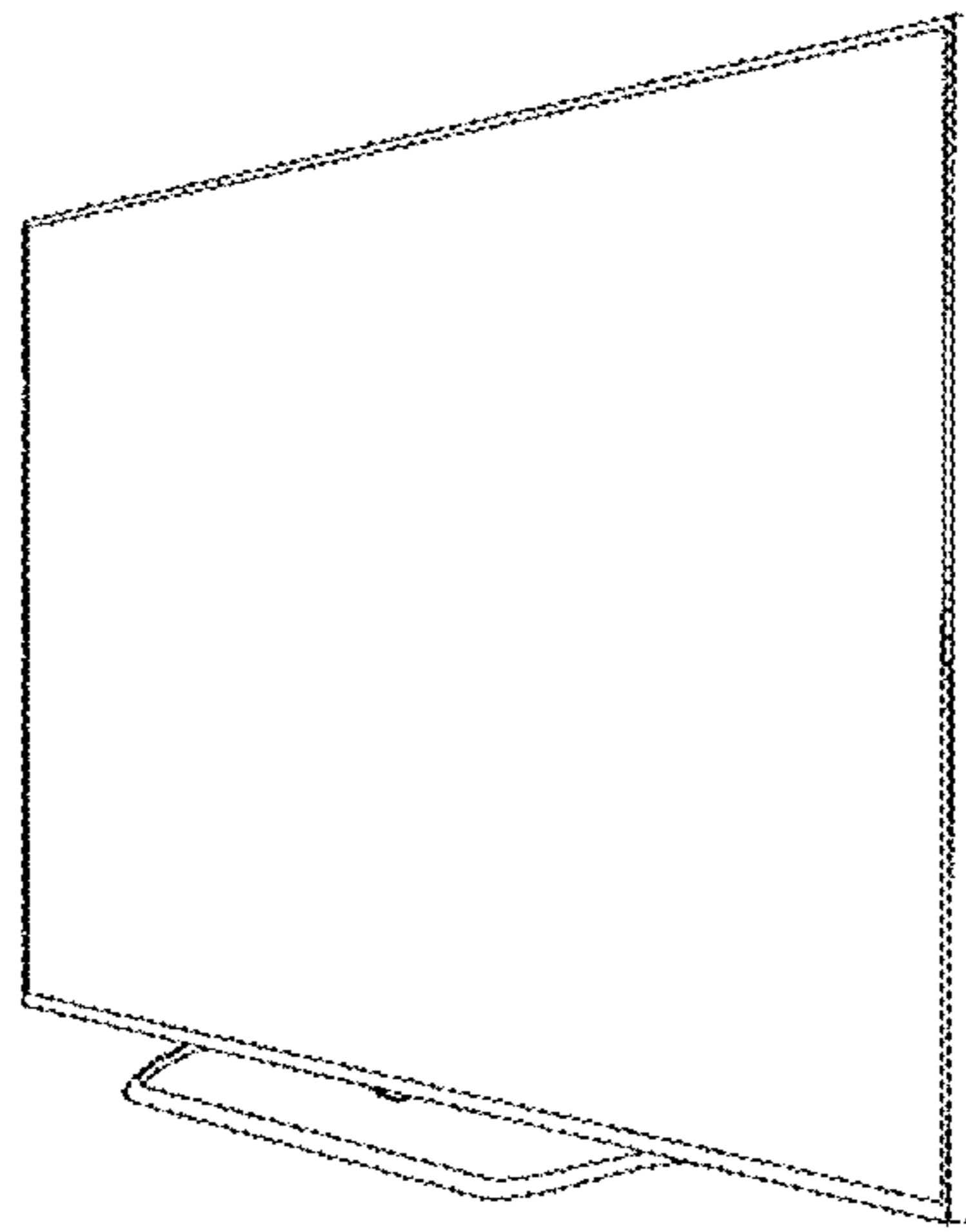


FIG. 7