



US00D774008S

(12) **United States Design Patent** (10) **Patent No.:** **US D774,008 S**  
**Michaelraj et al.** (45) **Date of Patent:** **\*\* \*Dec. 13, 2016**

- (54) **ENCLOSURE**
- (71) Applicant: **EATON CORPORATION**, Cleveland, OH (US)
- (72) Inventors: **Ashwin Michaelraj**, Peachtree City, GA (US); **Alan Huanqing Chen**, Hongqiao Town (CN); **Erik Jeffrey Gouhl**, Fayetteville, GA (US)
- (73) Assignee: **EATON CORPORATION**, Cleveland, OH (US)
- (\*) Notice: This patent is subject to a terminal disclaimer.
- (\*\*) Term: **14 Years**
- (21) Appl. No.: **29/498,727**
- (22) Filed: **Aug. 7, 2014**
- (51) **LOC (10) Cl.** ..... **13-99**
- (52) **U.S. Cl.**  
USPC ..... **D13/184**
- (58) **Field of Classification Search**  
USPC ..... D13/158, 159, 160, 161, 162, 184, 199; 200/43.14, 50.01, 50.21-50.23, 51 R, 293, 200/400, 401; 361/42, 44, 45, 50, 71, 361/115, 608, 634, 736; 174/50; 220/3.2, 220/3.3, 3.8, 4.02, 243, 244; 439/135, 439/367, 373, 535, 892; 109/73  
CPC ..... H02B 1/40; H02B 1/00  
See application file for complete search history.

- D660,261 S \* 5/2012 Huang ..... D13/184
- D679,258 S \* 4/2013 Moore ..... D13/162.1
- 8,927,887 B2 \* 1/2015 Fischer ..... H01H 3/36  
200/50.02
- D730,305 S \* 5/2015 Brunn ..... D13/184
- 2011/0011710 A1 \* 1/2011 Dodal ..... H01H 9/04  
200/302.1

**OTHER PUBLICATIONS**

Pass & Seymour—PS30SS; <http://www.alliedelec.com/search/productdetail.aspx?SKU=70050850>.  
HBLDS3—Switched Enclosure; <http://www.hubbellcatalog.com/wiring/section-c-datasheet.asp?FAM=Switches&lamp;PN=. . . .>

\* cited by examiner

*Primary Examiner* — Lakiya Rogers  
*Assistant Examiner* — Harold Blackwell, II  
(74) *Attorney, Agent, or Firm* — Eckert Seamans; John Powers; Grant Coffield

(57) **CLAIM**

The ornamental design for an enclosure, as shown and described.

**DESCRIPTION**

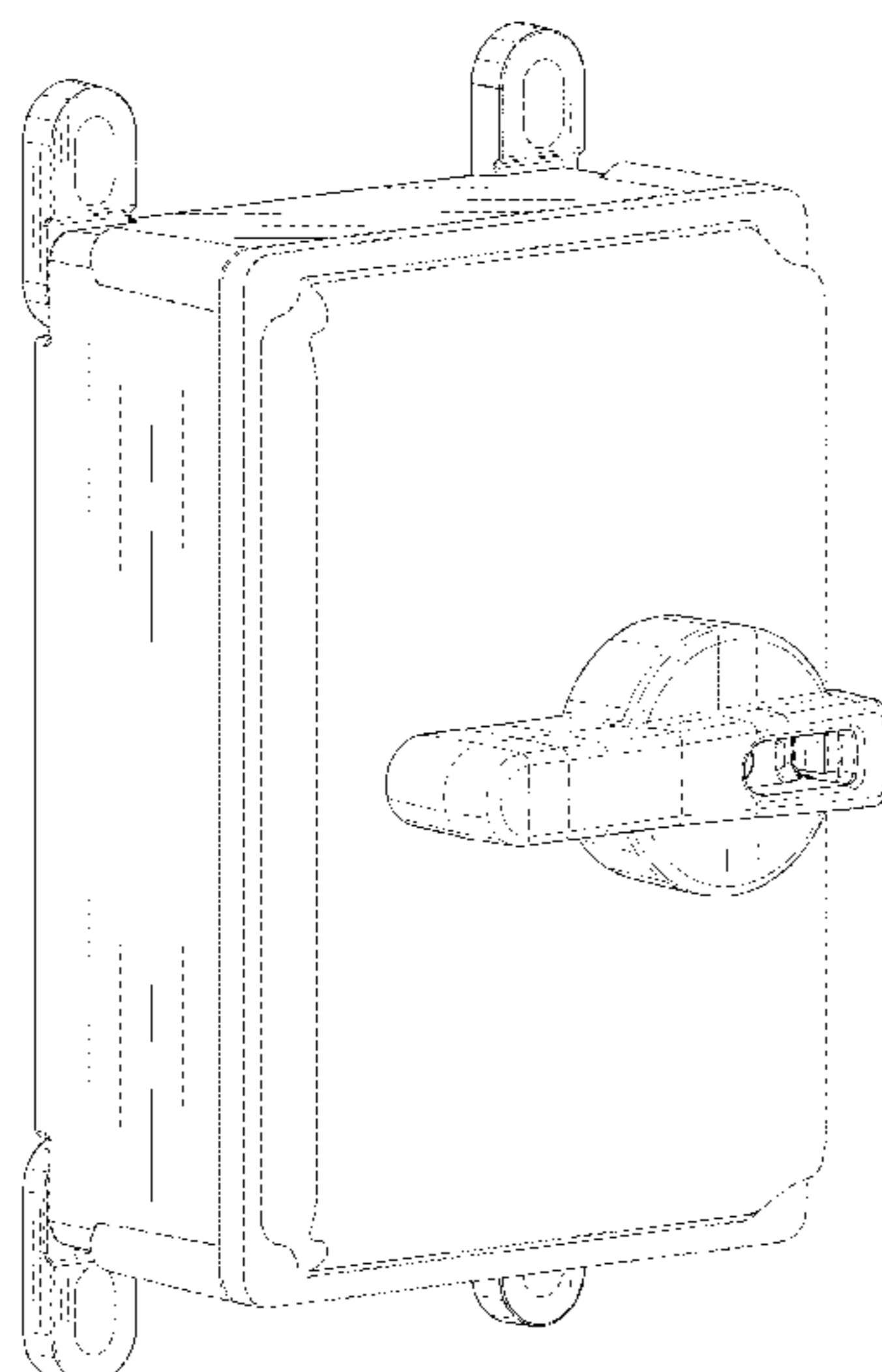
FIG. 1 is a front isometric view of an enclosure in accordance with an embodiment of the disclosed concept; FIG. 2 is a top plan view of the enclosure of FIG. 1; FIG. 3 is a bottom plan view of the enclosure of FIG. 1; FIG. 4 is a left side elevational view of the enclosure of FIG. 1; FIG. 5 is a right side elevational view of the enclosure of FIG. 1; FIG. 6 is a front elevational view of the enclosure of FIG. 1; and, FIG. 7 is a back elevational view of the enclosure of FIG. 1. The broken lines in the drawings illustrate portions of the enclosure which form no part of the claimed design.

**1 Claim, 6 Drawing Sheets**

(56) **References Cited**

**U.S. PATENT DOCUMENTS**

- 5,243,157 A \* 9/1993 Hoffman ..... H01H 9/281  
200/43.11
- D354,738 S \* 1/1995 Zimmermann ..... D13/158
- D402,275 S \* 12/1998 Korhonen ..... D13/184
- D538,237 S \* 3/2007 Castaldo ..... D13/158
- D658,137 S \* 4/2012 Dodal ..... D13/169



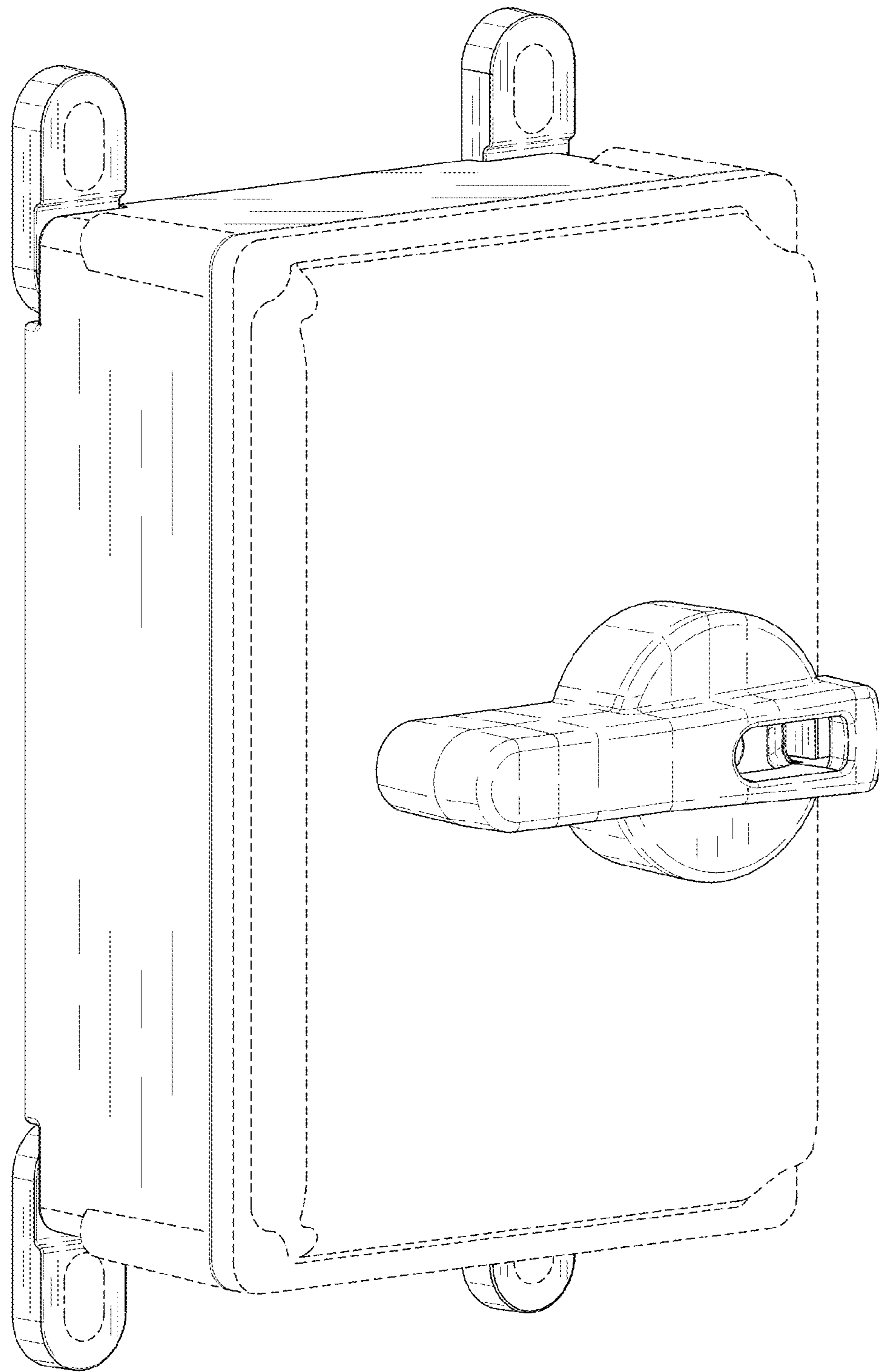


FIG. 1

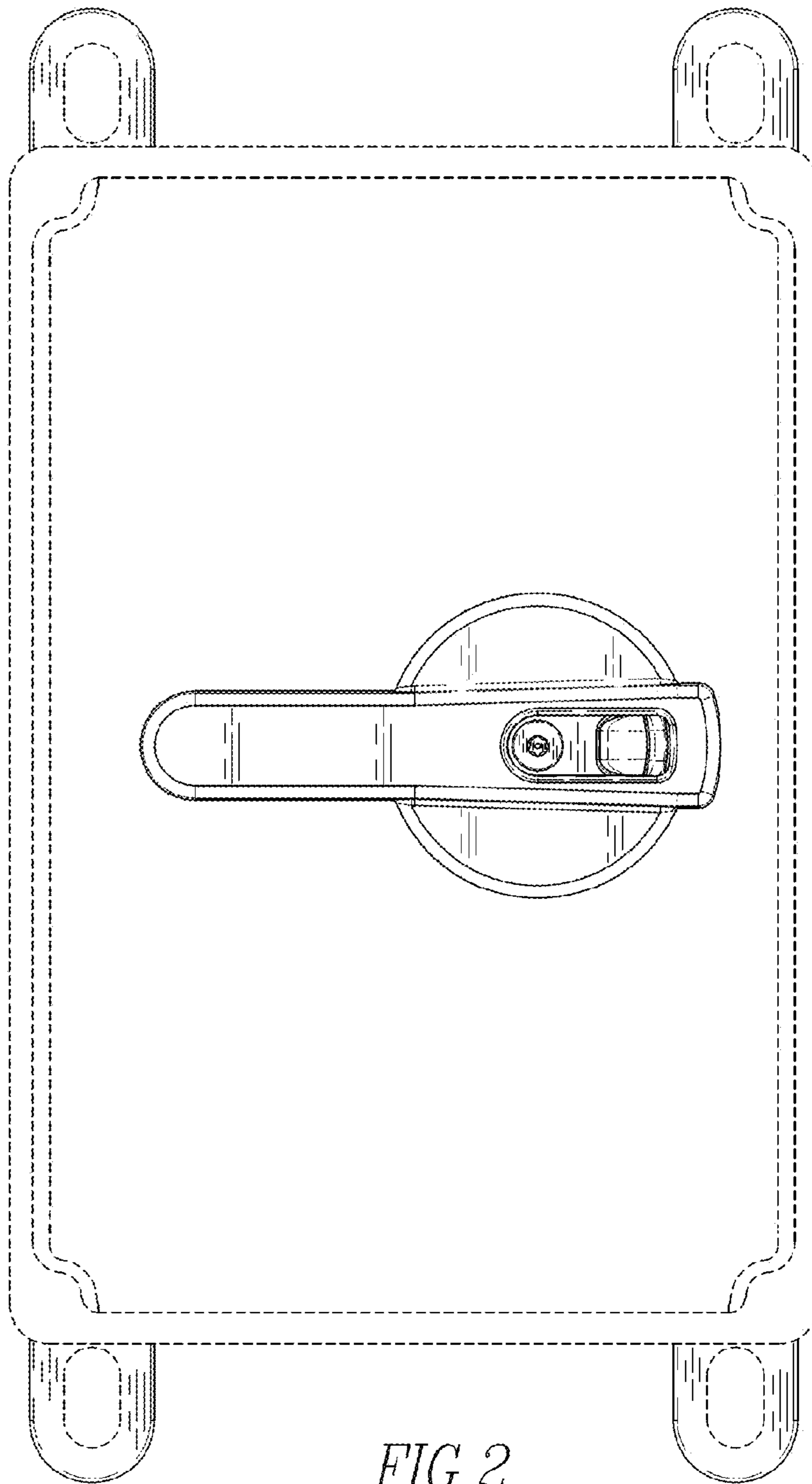


FIG. 2

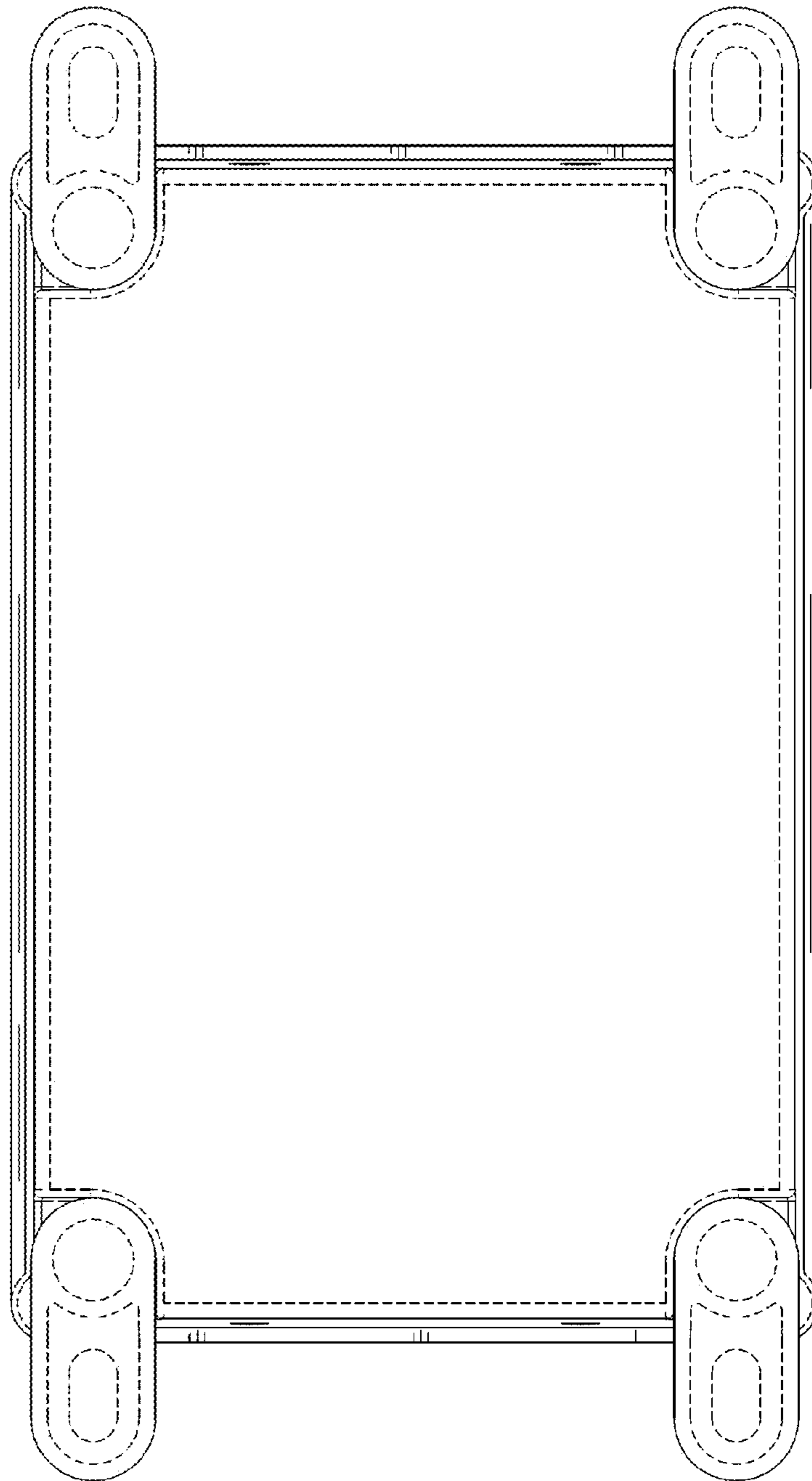


FIG. 3

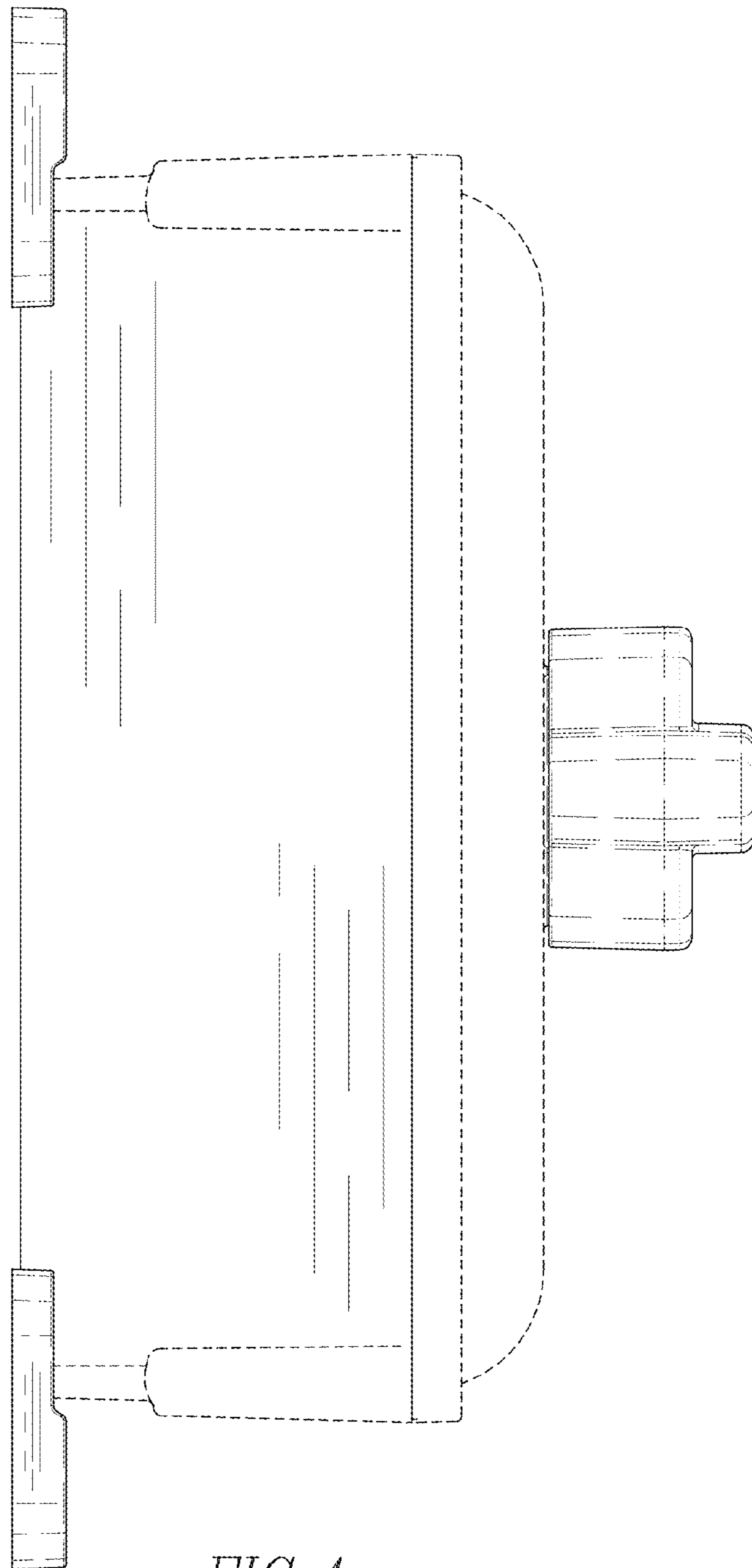


FIG. 4

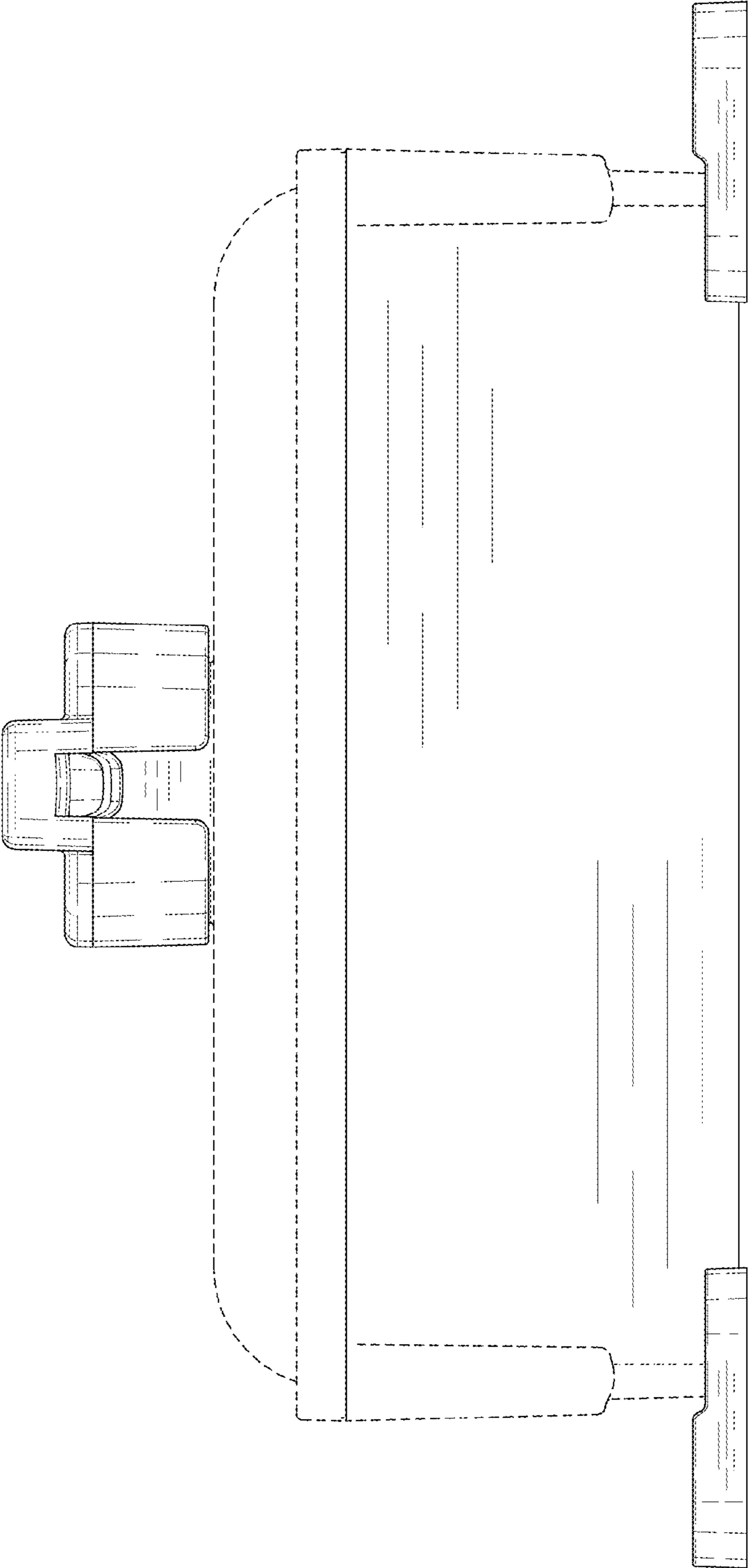


FIG. 5

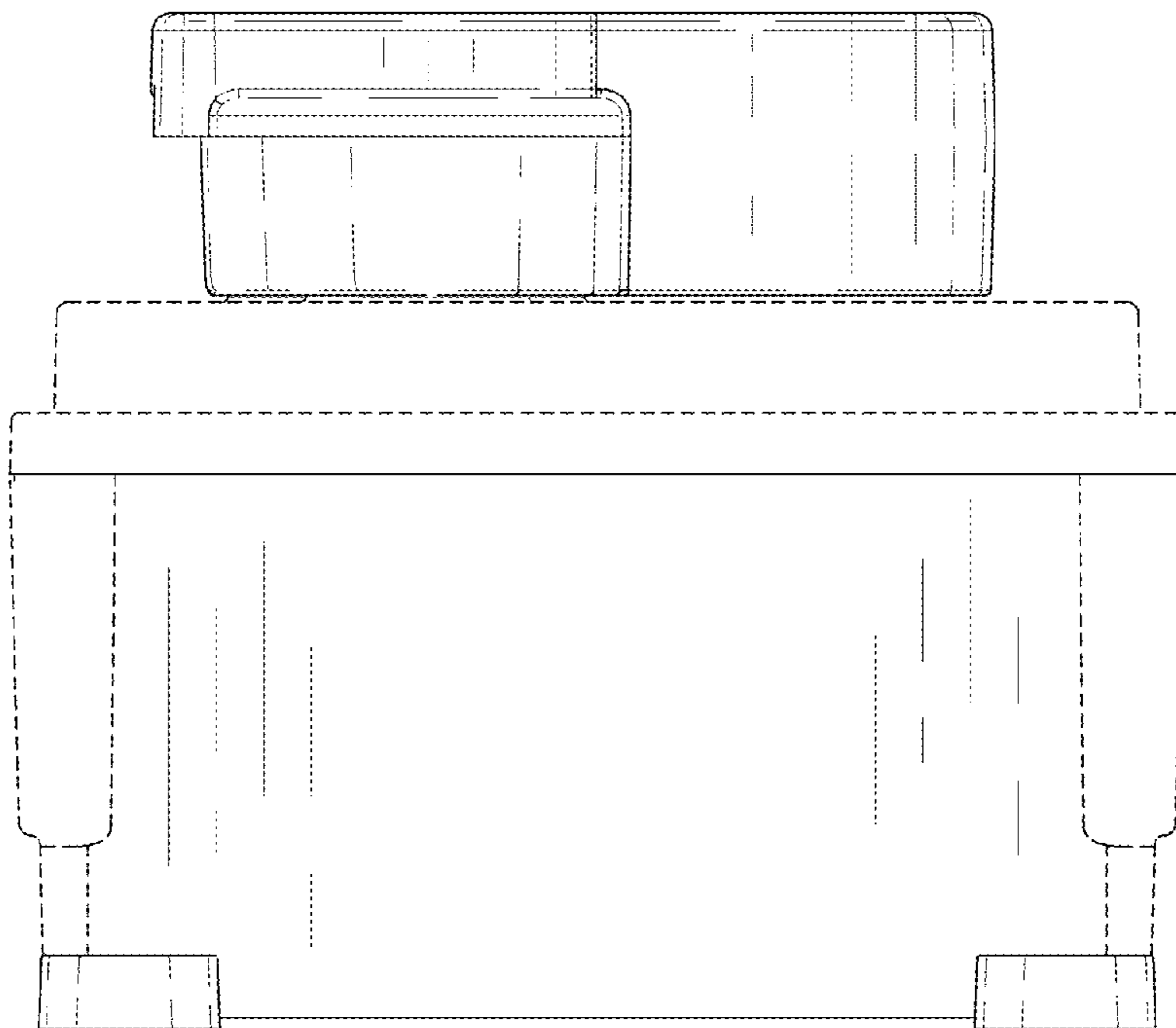


FIG. 6

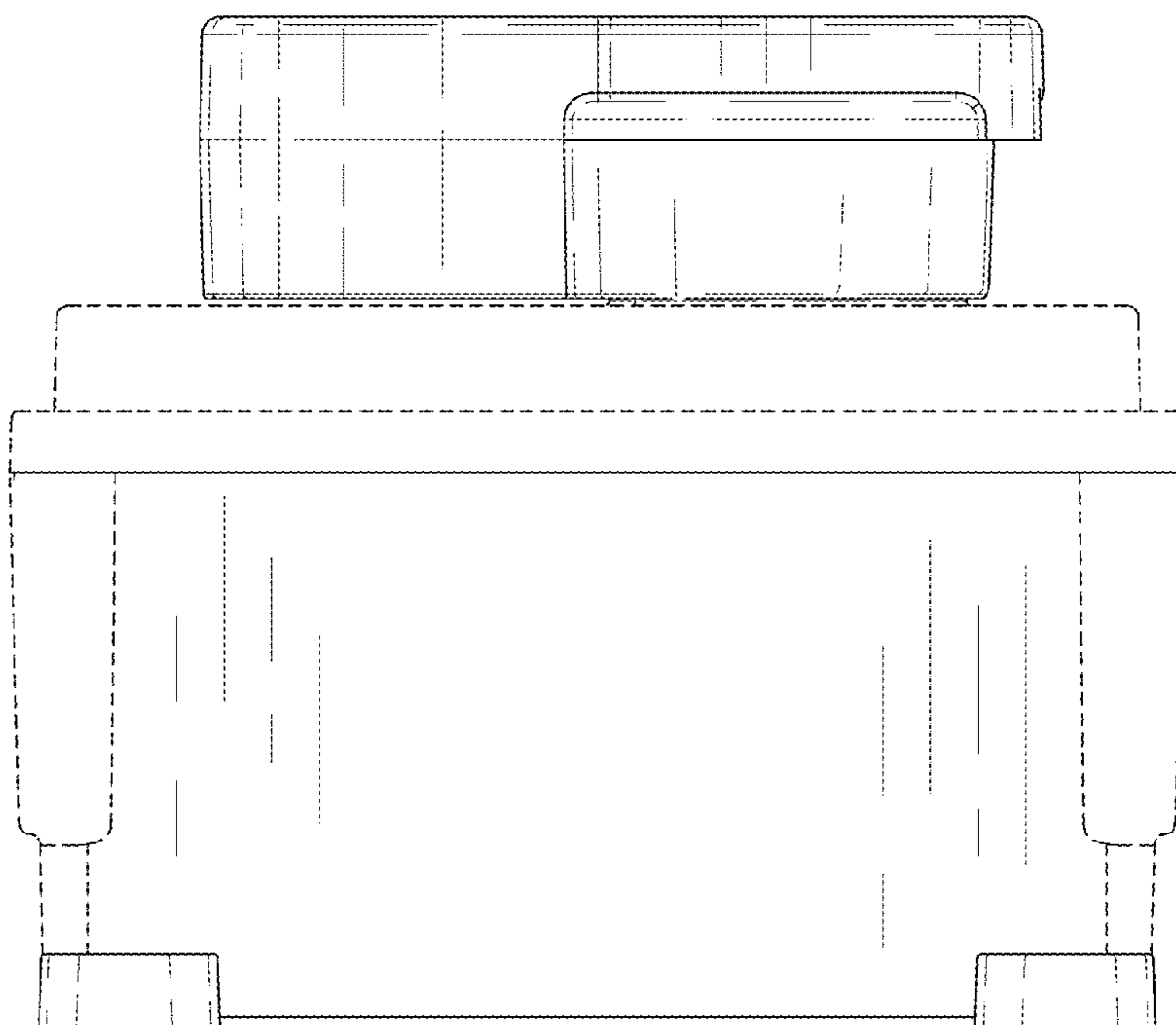


FIG. 7