



US00D774007S

(12) **United States Design Patent** (10) **Patent No.:** **US D774,007 S**  
**Ryan** (45) **Date of Patent:** **\*\* Dec. 13, 2016**

(54) **ELECTRICAL ENCLOSURE FOR MATERIAL HANDLING EQUIPMENT**

(71) Applicant: **The Raymond Corporation**, Greene, NY (US)

(72) Inventor: **Howard Scott Ryan**, Skaneateles, NY (US)

(73) Assignee: **The Raymond Corporation**, Greene, NY (US)

(\*\*) Term: **14 Years**

(21) Appl. No.: **29/497,184**

(22) Filed: **Jul. 22, 2014**

**Related U.S. Application Data**

(62) Division of application No. 29/438,746, filed on Dec. 3, 2012, now Pat. No. Des. 741,824.

(51) **LOC (10) Cl.** ..... **13-99**

(52) **U.S. Cl.**  
USPC ..... **D13/184; D13/162**

(58) **Field of Classification Search**  
USPC ... D10/65, 66, 67, 68, 70, 74, 80, 114.9, 78; 701/213; 455/575.1, 575.4; D14/138, 341, D14/383, 385, 387, 159; D13/184, 162, D13/173, 177  
CPC . H03J 2200/22; H03J 2200/23; H03J 2200/24  
See application file for complete search history.

(56) **References Cited**

**U.S. PATENT DOCUMENTS**

D343,362 S \* 1/1994 Soren ..... D10/65  
D468,652 S \* 1/2003 Steiner ..... D10/65  
D469,367 S \* 1/2003 Mirabelli ..... D10/65  
D486,083 S \* 2/2004 Laverick ..... D10/65

D508,213 S \* 8/2005 Silzer, Jr. .... D10/65  
D518,396 S \* 4/2006 Jopling ..... D10/80  
D531,067 S \* 10/2006 Baumgaertner ..... D10/65  
D540,204 S \* 4/2007 Aguilar ..... D10/65  
D569,836 S \* 5/2008 Han ..... D14/138 AD  
D589,018 S \* 3/2009 Jeoung ..... D14/138 AD  
D590,794 S \* 4/2009 Jeoung ..... D14/138 AD  
D593,980 S \* 6/2009 Lee ..... D14/138 AD  
D594,358 S \* 6/2009 Lammers-Meis ..... D10/65  
D596,152 S \* 7/2009 Hong ..... D14/138 AD  
D609,681 S \* 2/2010 Cho ..... D14/138 AD  
D659,562 S \* 5/2012 Groener ..... D10/65  
D665,767 S \* 8/2012 Hancock ..... D14/159  
D691,966 S \* 10/2013 Stossell ..... D13/162

\* cited by examiner

*Primary Examiner* — Lakiya Rogers

*Assistant Examiner* — Harold Blackwell, II

(74) *Attorney, Agent, or Firm* — Quarles & Brady LLP

(57) **CLAIM**

The ornamental design for an electrical enclosure for material handling equipment, as shown and described.

**DESCRIPTION**

FIG. 1 is a top, left, front perspective view an electrical enclosure for material handling equipment, embodying my new design;

FIG. 2 is a front elevational view thereof;

FIG. 3 is a left elevational view thereof;

FIG. 4 is a right elevational view thereof;

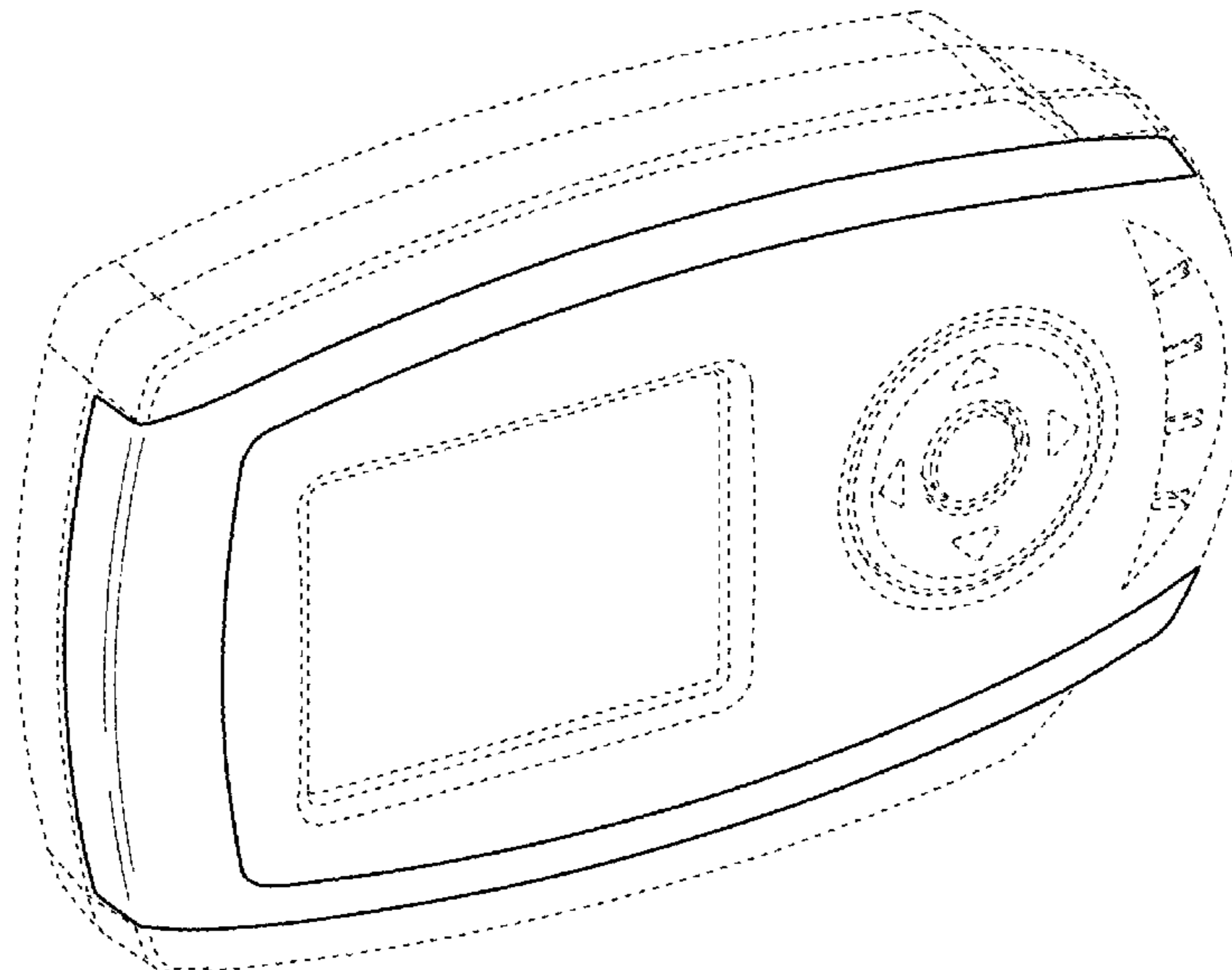
FIG. 5 is a top plan view thereof;

FIG. 6 is a bottom plan view thereof; and,

FIG. 7 is a rear elevational view thereof.

The broken line showing in FIGS. 1-7 of the electrical enclosure for material handling equipment illustrate portions of the electrical enclosure for material handling equipment which form no part of the claimed design.

**1 Claim, 6 Drawing Sheets**



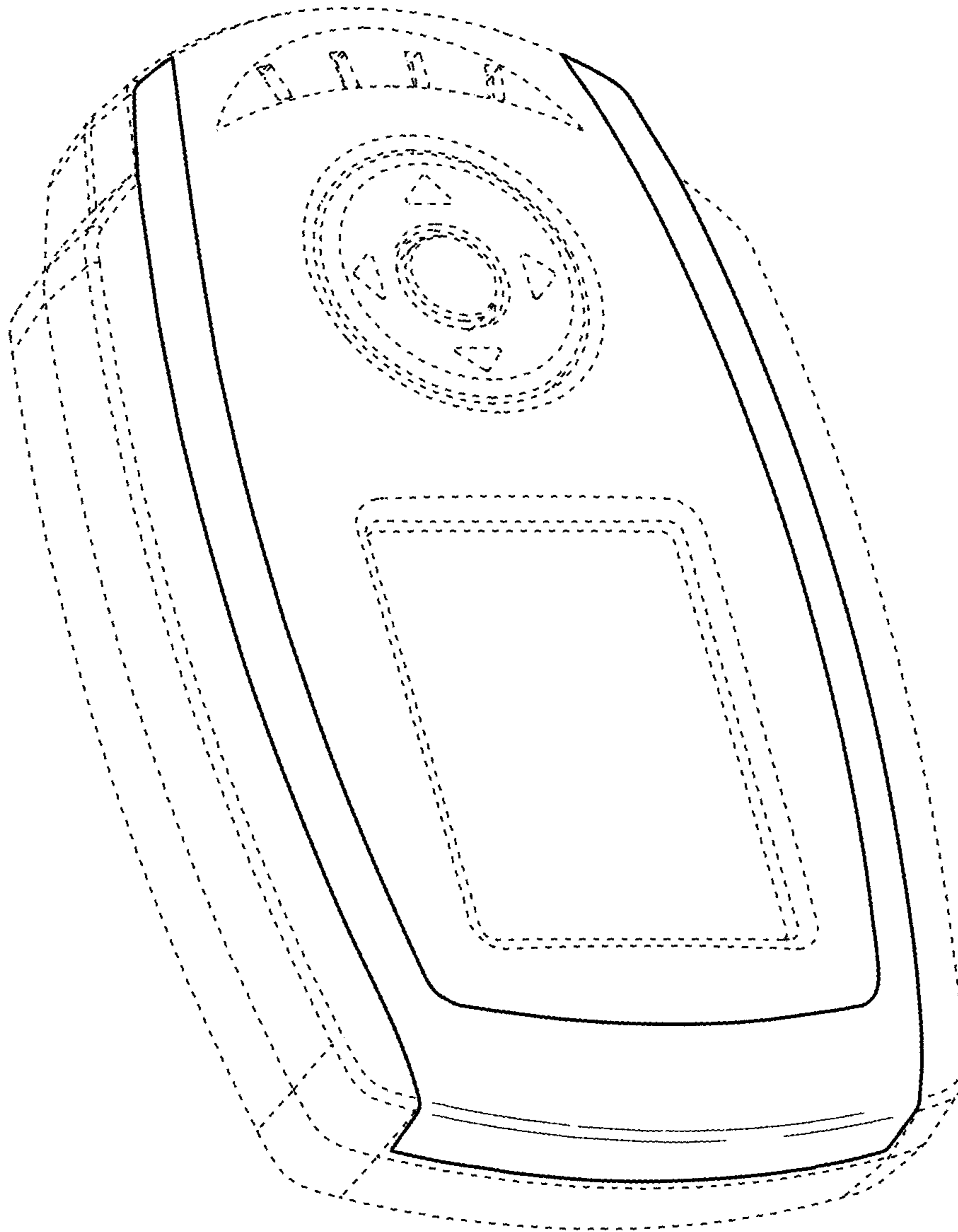


FIG. 1

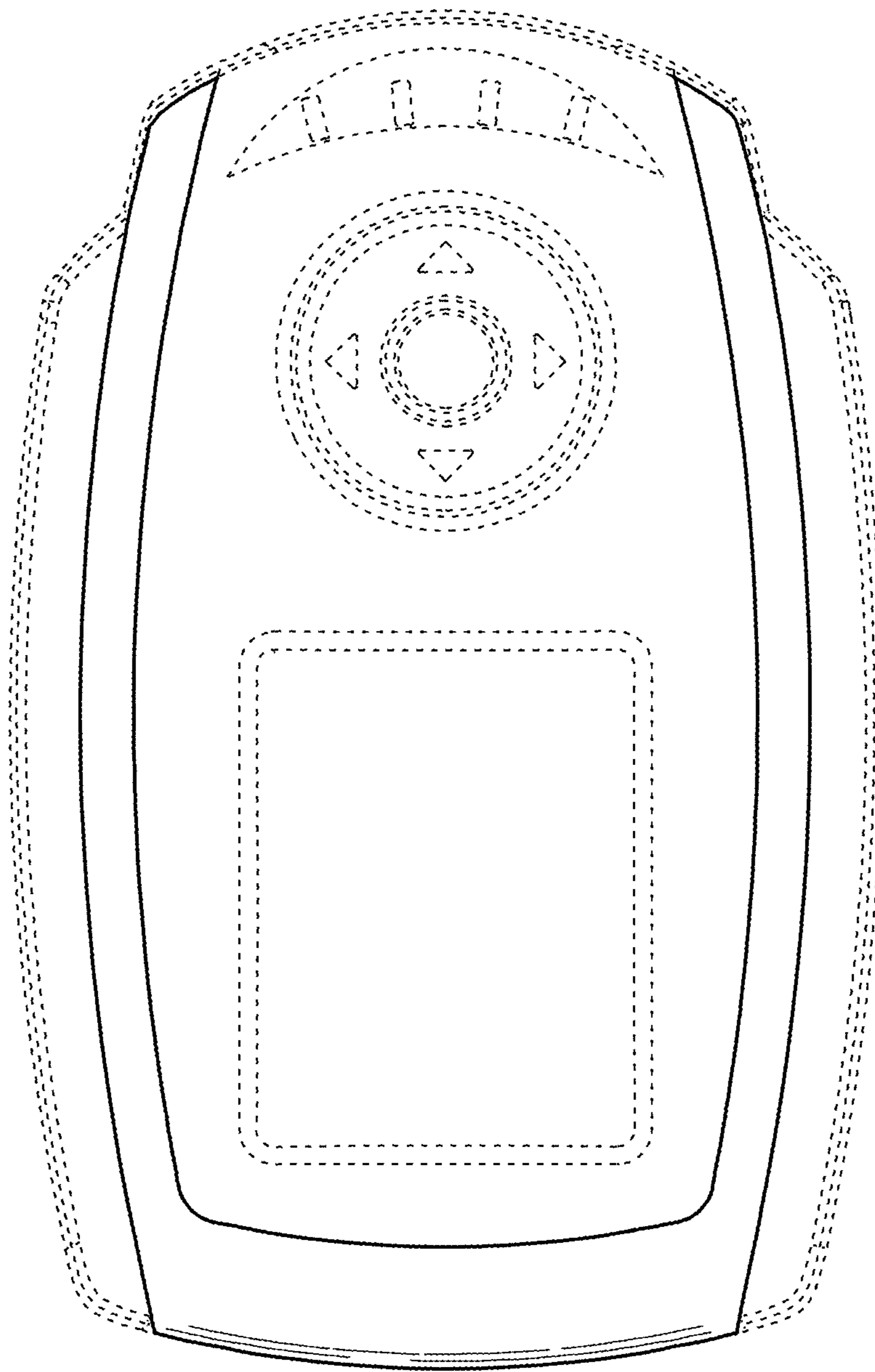


FIG. 2

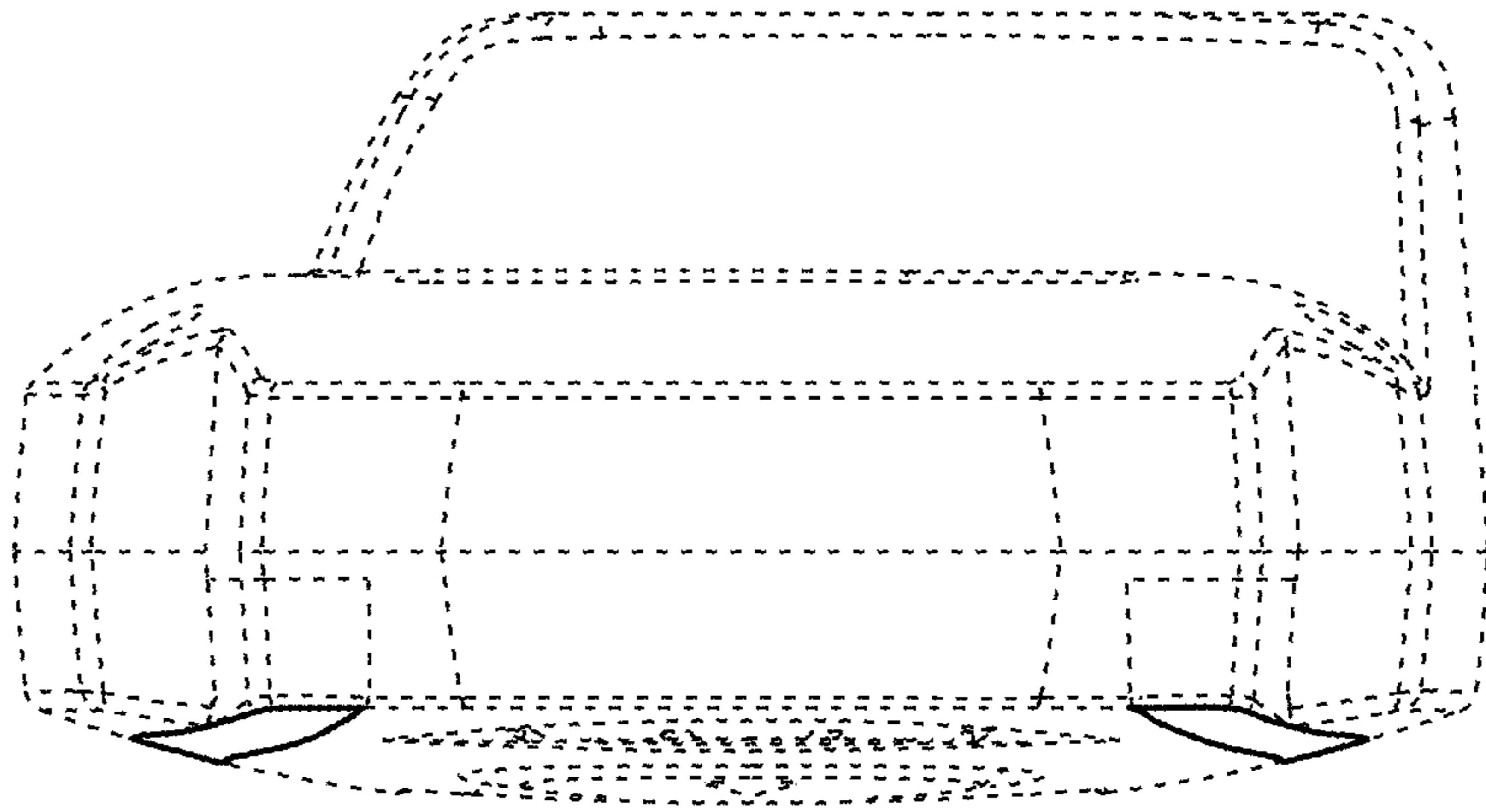


FIG. 4

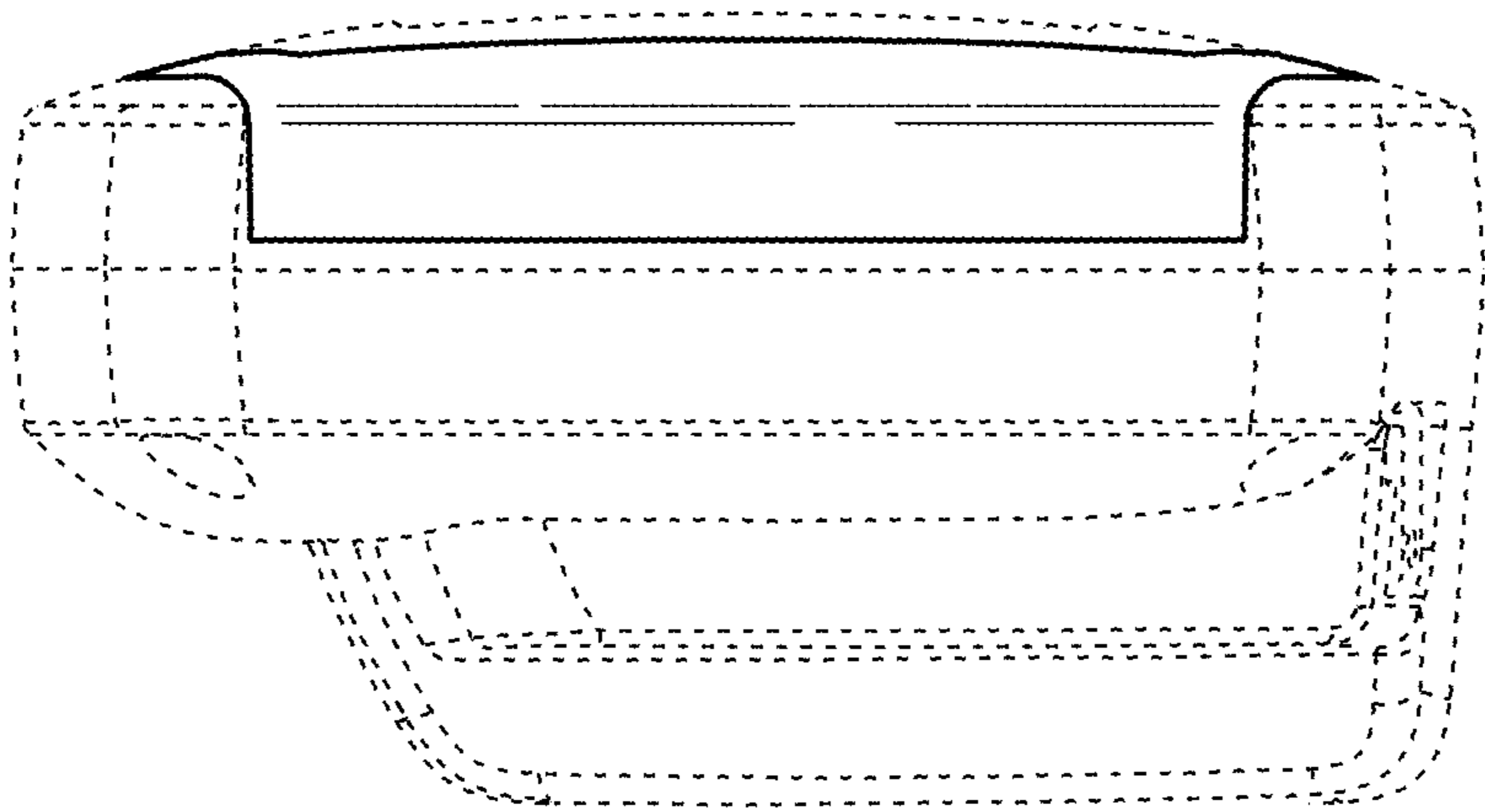


FIG. 3

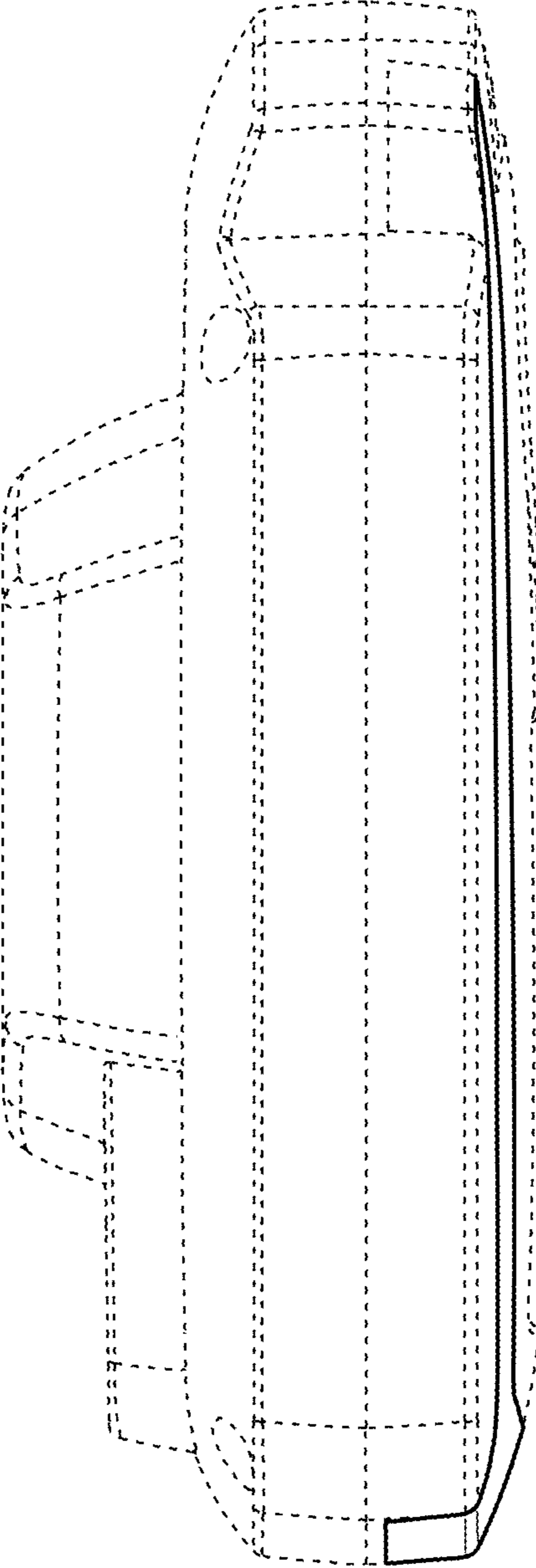


FIG. 5

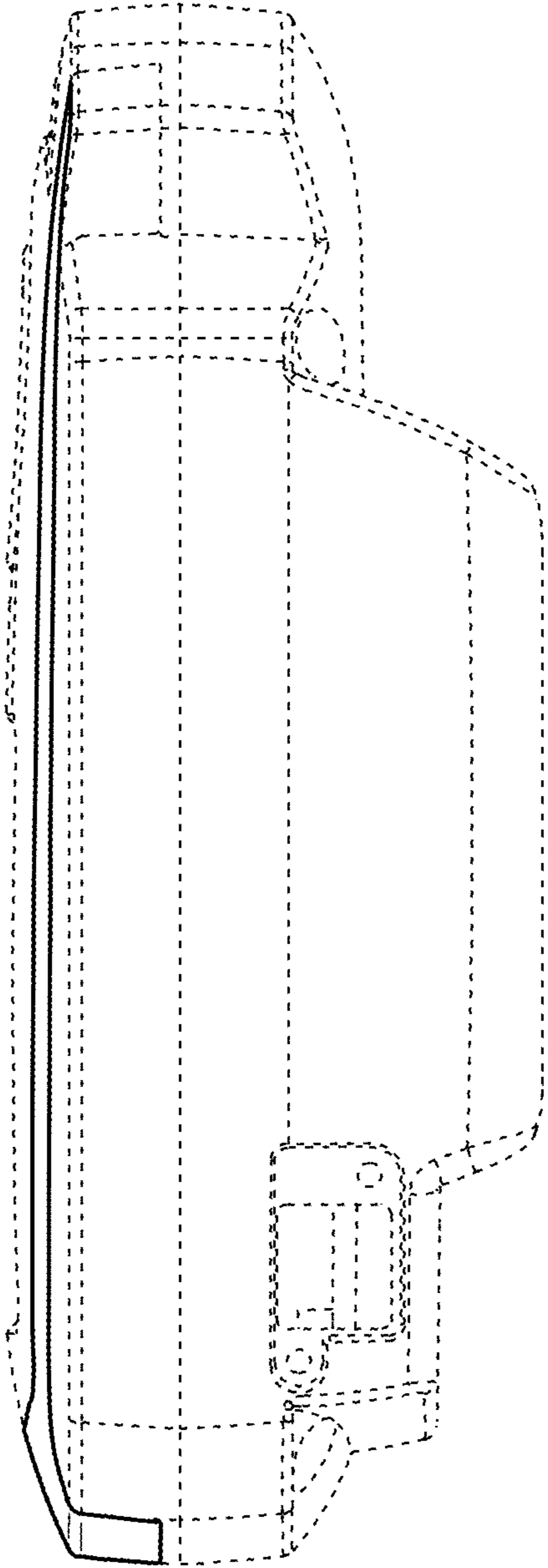


FIG. 6



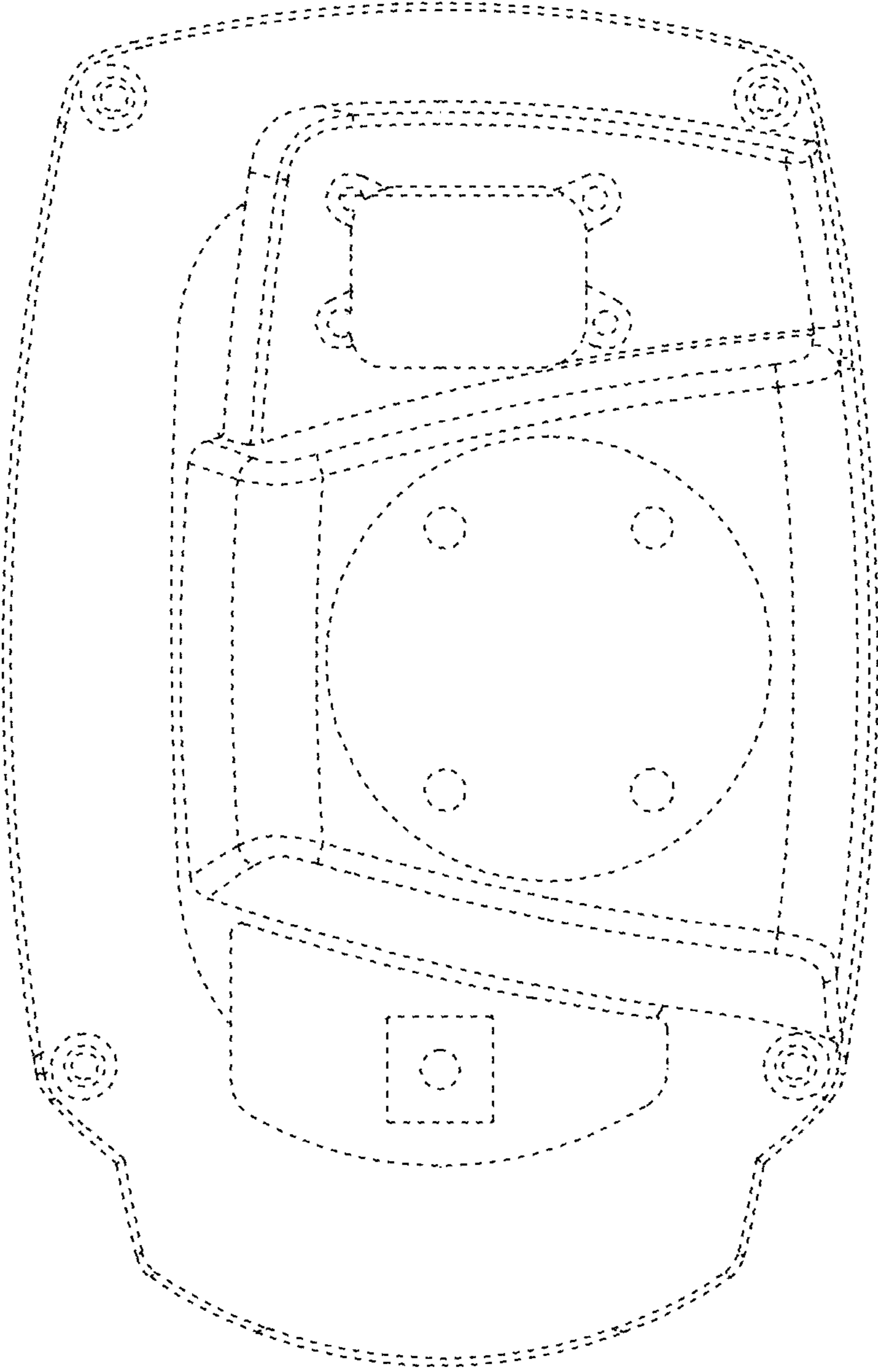


FIG. 7