



US00D774004S

(12) **United States Design Patent**
Liu et al.

(10) **Patent No.:** **US D774,004 S**
(45) **Date of Patent:** **** Dec. 13, 2016**

(54) **RTU IO MODULE WITH EXPANSION END PLATE**

(71) Applicant: **Honeywell International Inc.,**
Morristown, NJ (US)

(72) Inventors: **Chaohong Liu**, Shanghai (CN); **Lei Zou**, Shanghai (CN)

(73) Assignee: **Honeywell International Inc.,** Morris Plains, NJ (US)

(**) Term: **14 Years**

(21) Appl. No.: **29/522,143**

(22) Filed: **Mar. 27, 2015**

(51) **LOC (10) Cl.** **13-03**

(52) **U.S. Cl.**
USPC **D13/162**

(58) **Field of Classification Search**
USPC D13/110, 162.1
CPC G05B 19/00; G05B 19/02; G05B 19/04;
G05B 19/042; G05B 19/0423; G05B
19/05; G05B 19/054; G05B
19/056; H05K 7/1465; H05K
7/1468; H05K 7/1479; H02J 13/0006
See application file for complete search history.

(56) **References Cited**

U.S. PATENT DOCUMENTS

- 5,000,692 A * 3/1991 Taniguchi G05B 19/0423
361/715
- 5,483,229 A * 1/1996 Tamura H05K 7/1468
340/691.7
- D384,037 S * 9/1997 Hamada D13/162
- D384,938 S * 10/1997 Hamada D13/162

- 6,425,770 B1 * 7/2002 Lostoski H01R 9/26
361/759
- 7,230,833 B1 * 6/2007 Sickels B60R 16/0239
361/740
- D609,195 S * 2/2010 Yamashita D13/162
- 8,189,350 B2 * 5/2012 Gaub G05B 19/042
361/823
- D685,354 S * 7/2013 Deck D13/110
- D696,634 S * 12/2013 Liu D13/162.1
- D704,150 S * 5/2014 Chen D13/162.1
- 8,784,120 B2 * 7/2014 Kang H01R 12/7011
439/76.1
- D724,034 S * 3/2015 Liu D13/162
- D724,546 S * 3/2015 Liu D13/162

* cited by examiner

Primary Examiner — Selina Sikder

(74) *Attorney, Agent, or Firm* — Kevin Soules; Kermit D. Lopez; Luis M. Ortiz

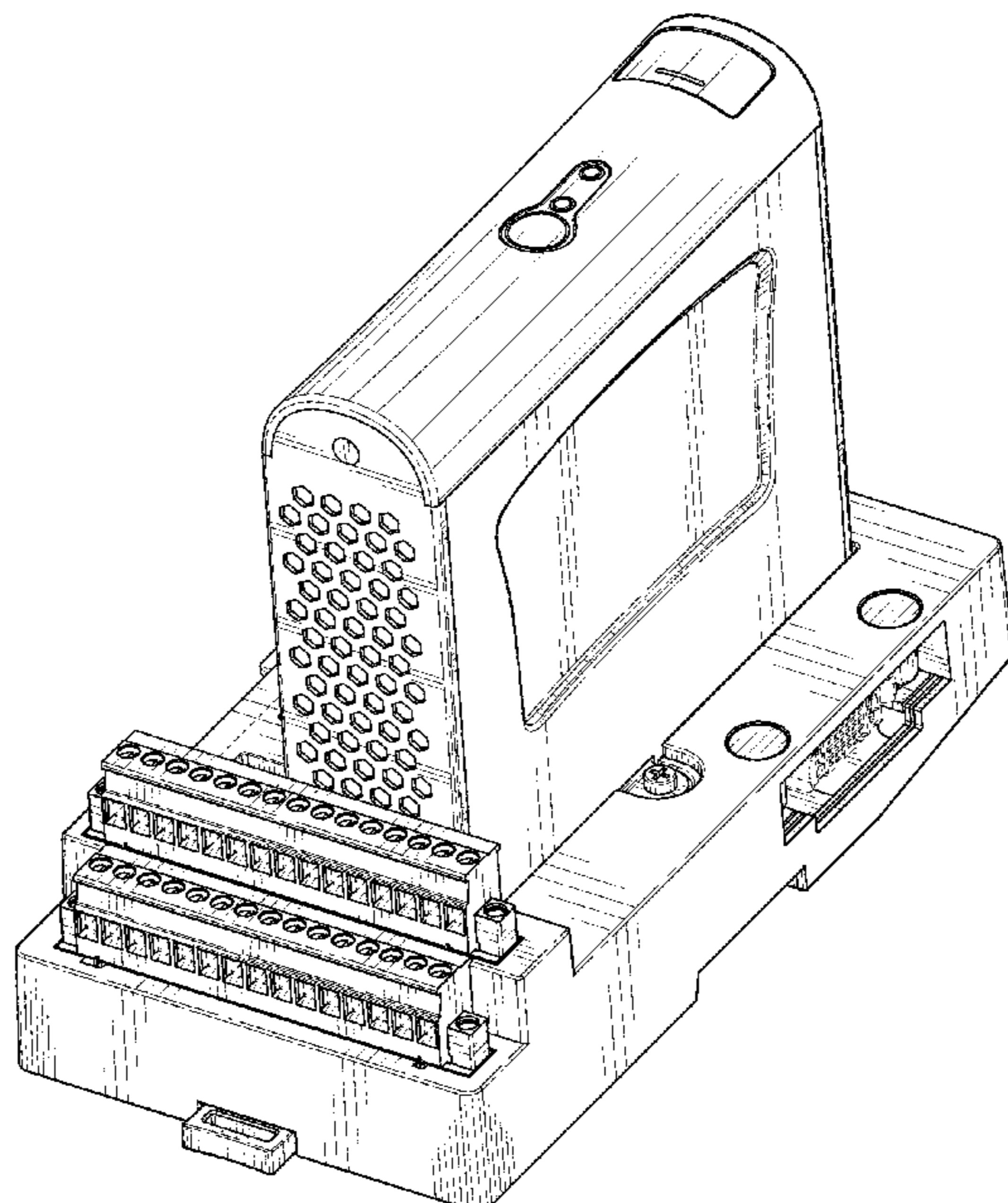
(57) **CLAIM**

The ornamental design for an RTU IO module with expansion end plate, as shown and described.

DESCRIPTION

FIG. 1 is a top plan view of an RTU IO module with expansion end plate;
 FIG. 2 is a right side elevation view thereof;
 FIG. 3 is a left side elevation view thereof;
 FIG. 4 is a front elevation view thereof;
 FIG. 5 is a rear elevation view thereof;
 FIG. 6 is a bottom plan view thereof;
 FIG. 7 is a top right front perspective view thereof; and,
 FIG. 8 is a top left front perspective view thereof.
 The broken line showing of RTU IO module with expansion end plate is for illustrative purposes only and forms no part of the claimed design.

1 Claim, 7 Drawing Sheets



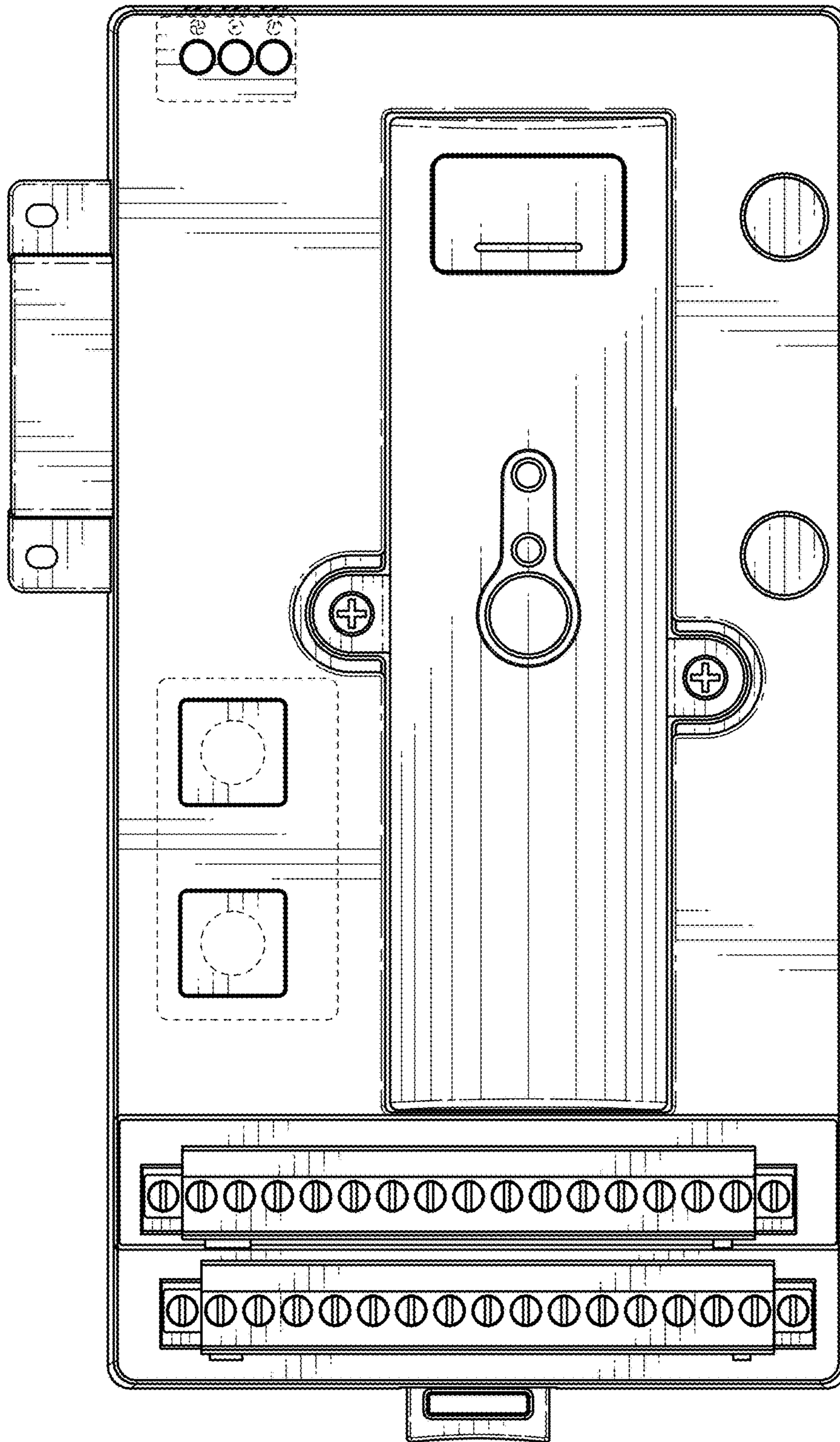


FIG. 1

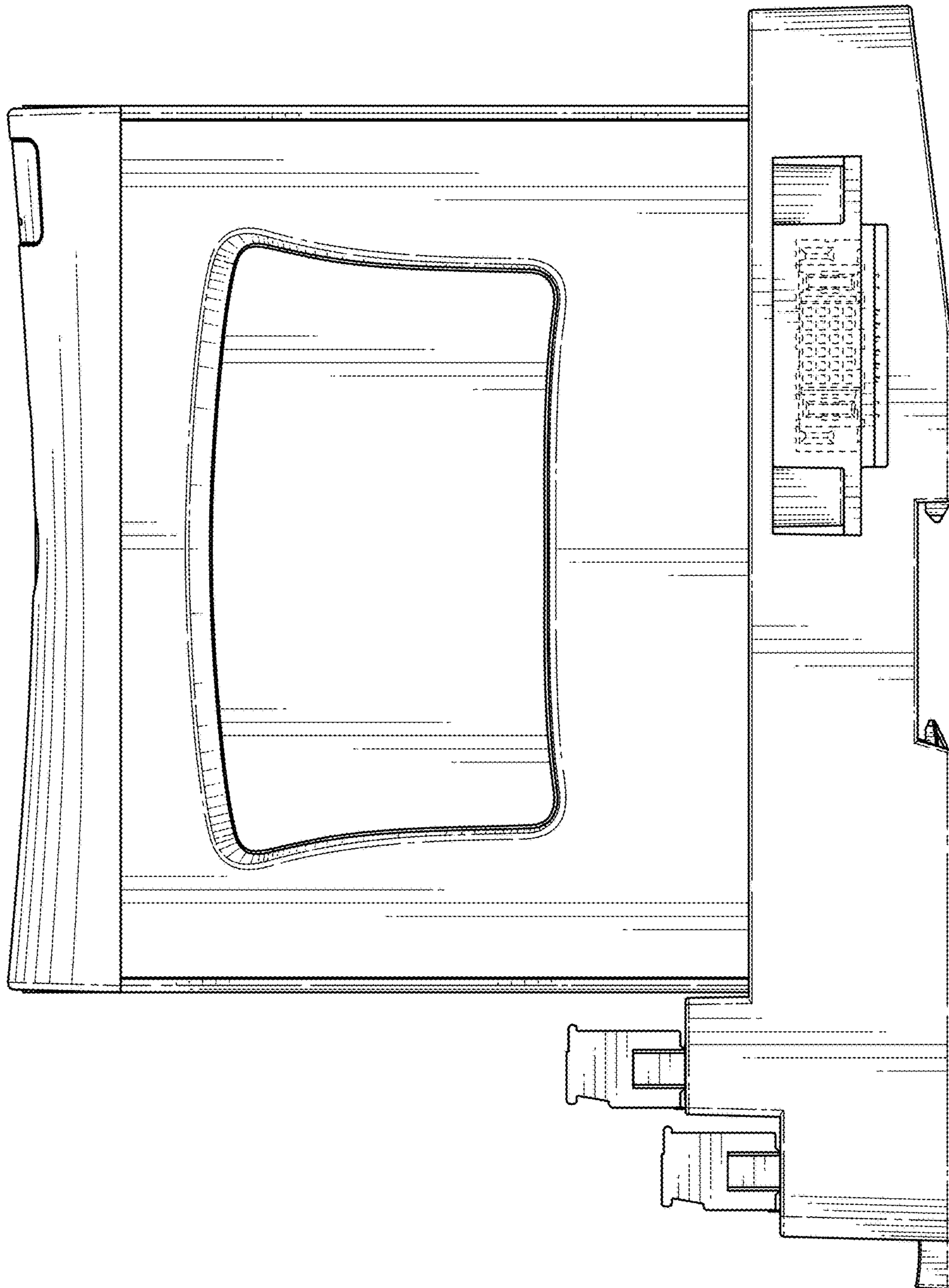


FIG. 2

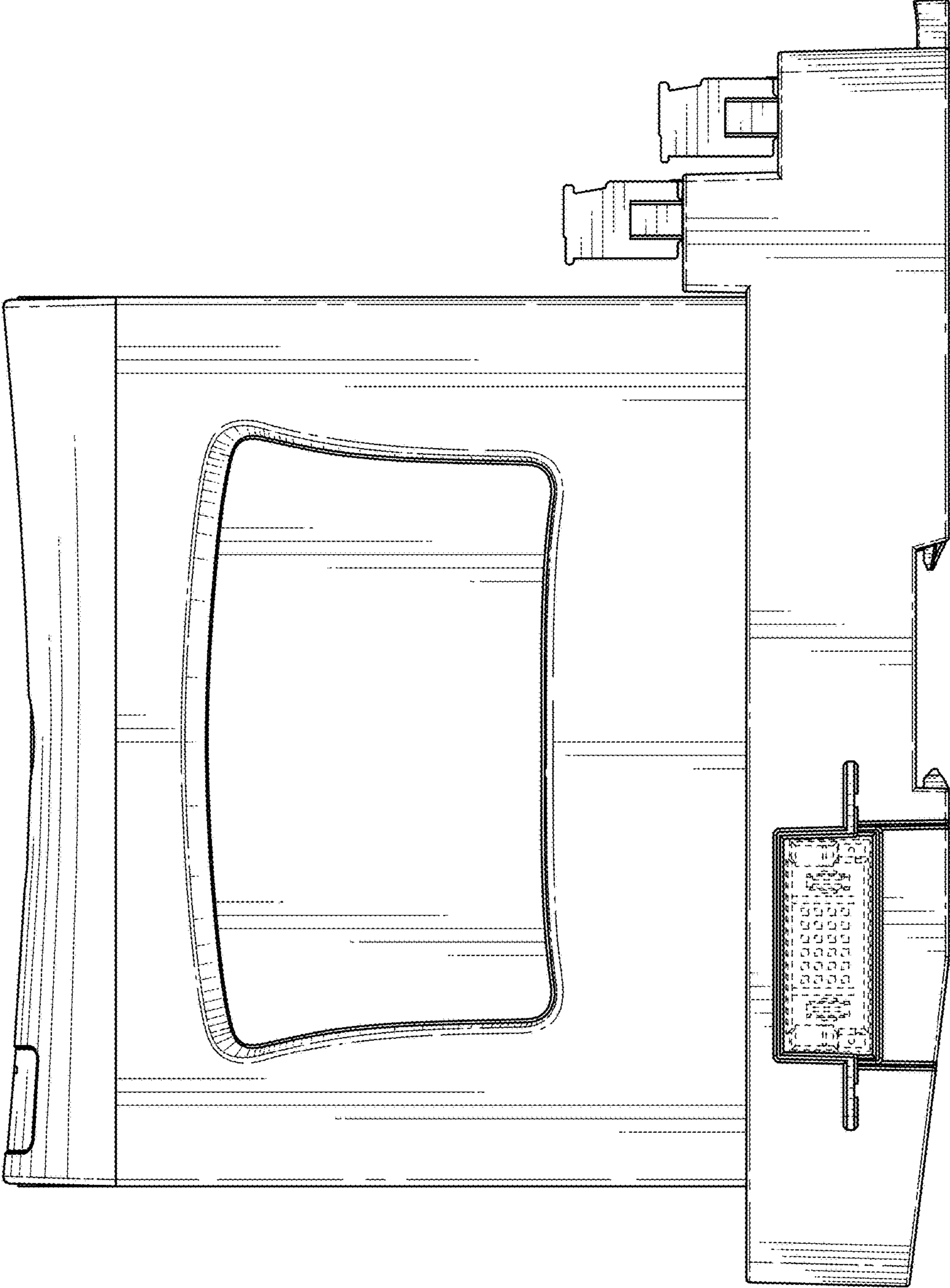


FIG. 3

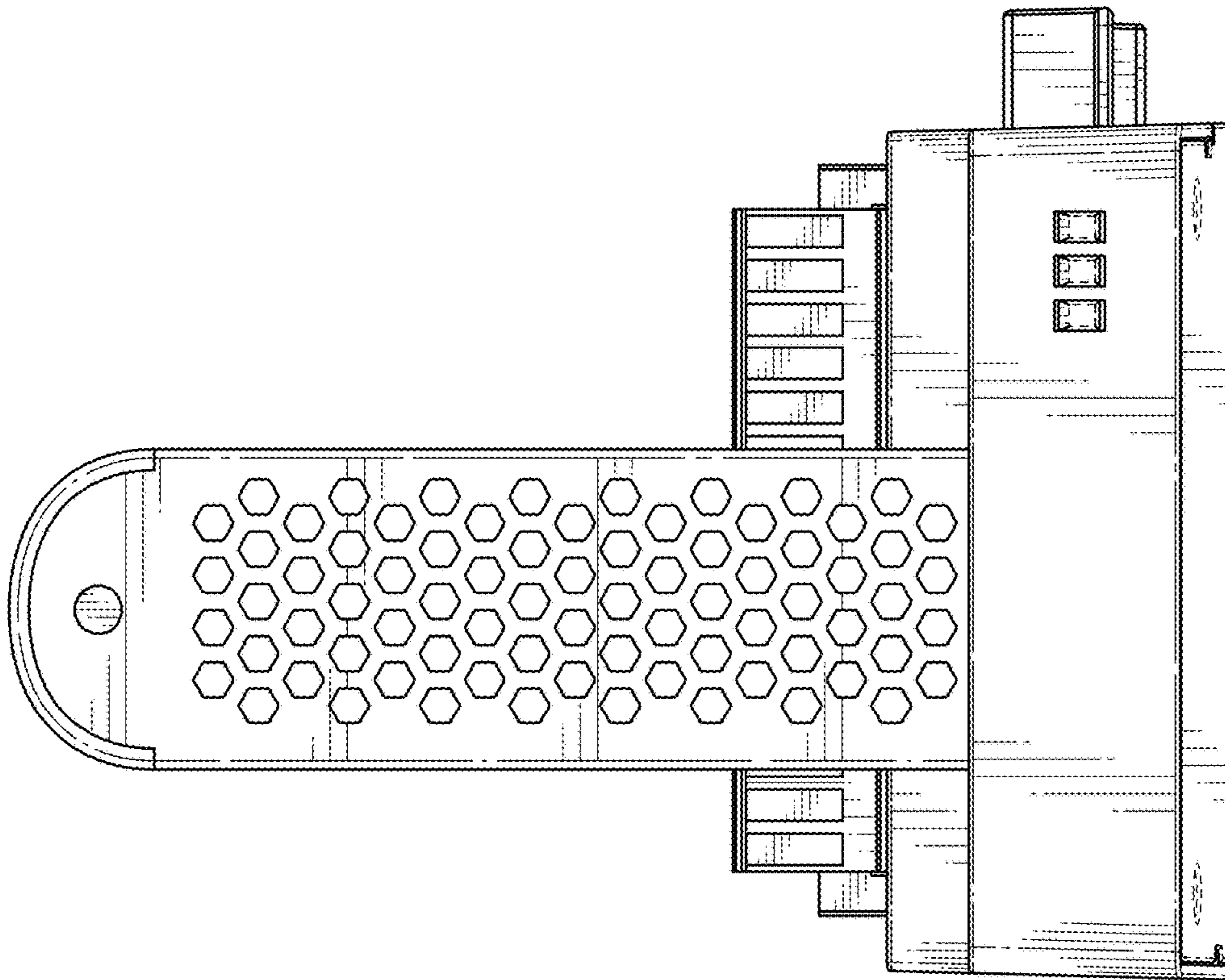


FIG. 5

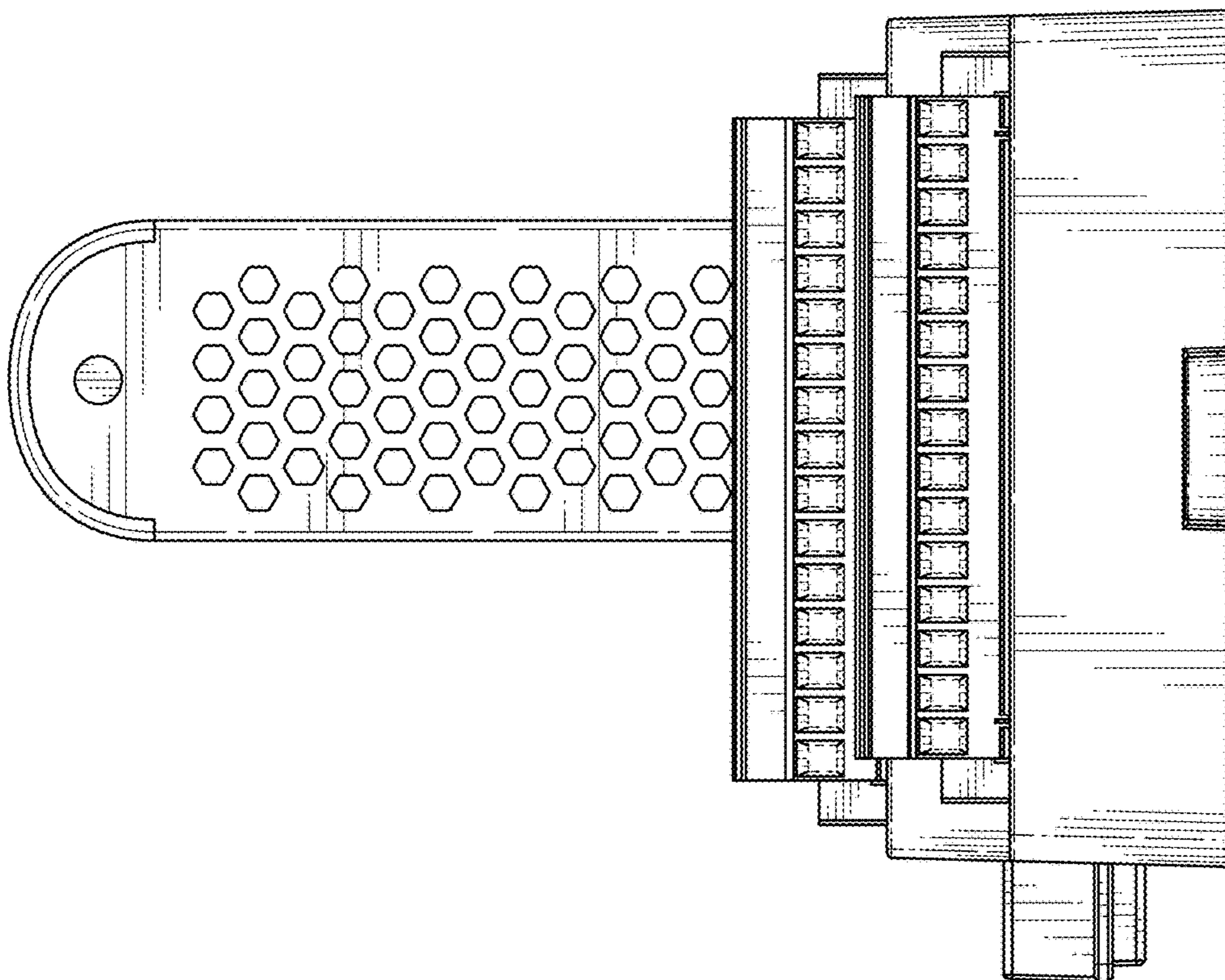


FIG. 4

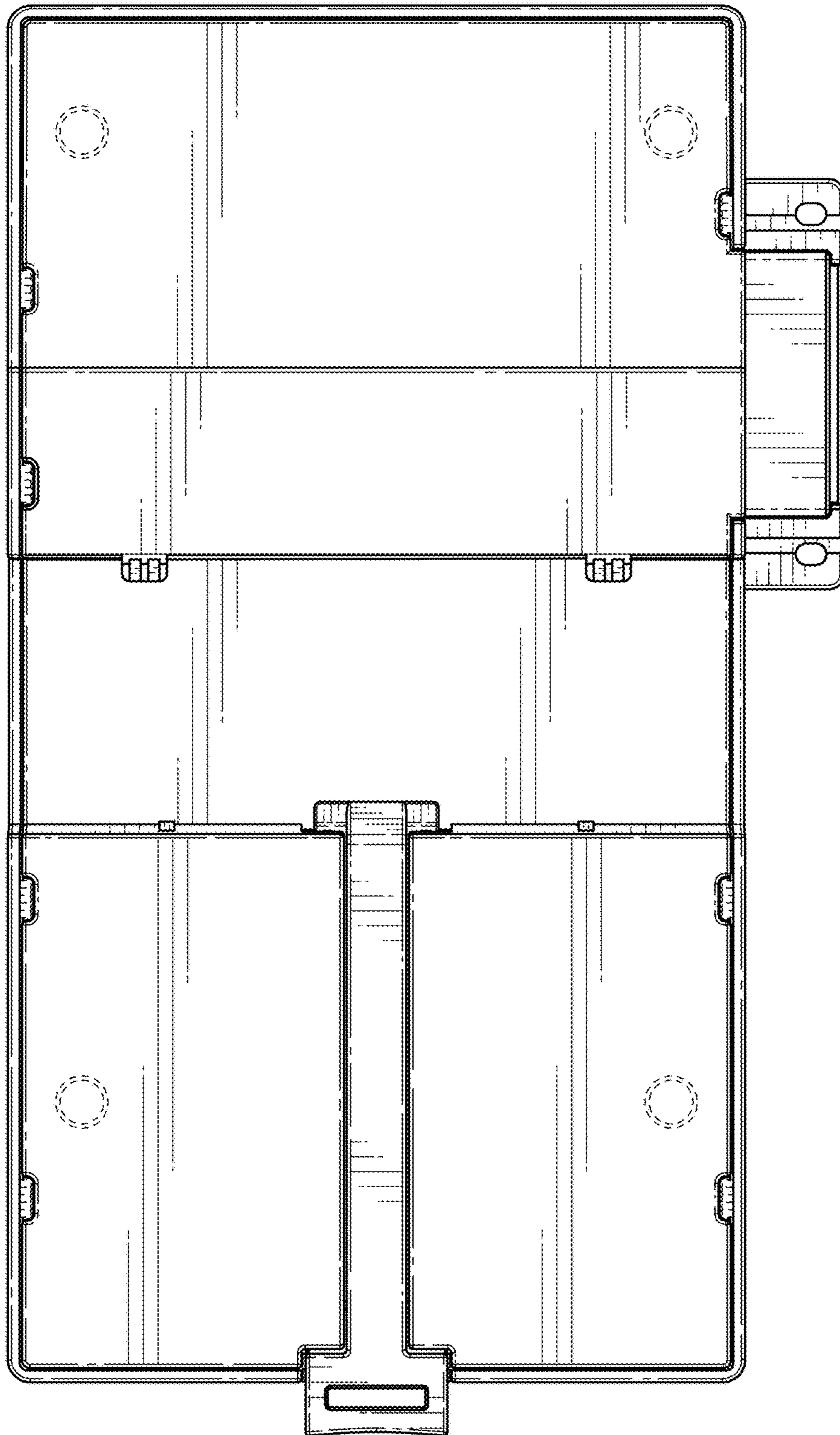


FIG. 6

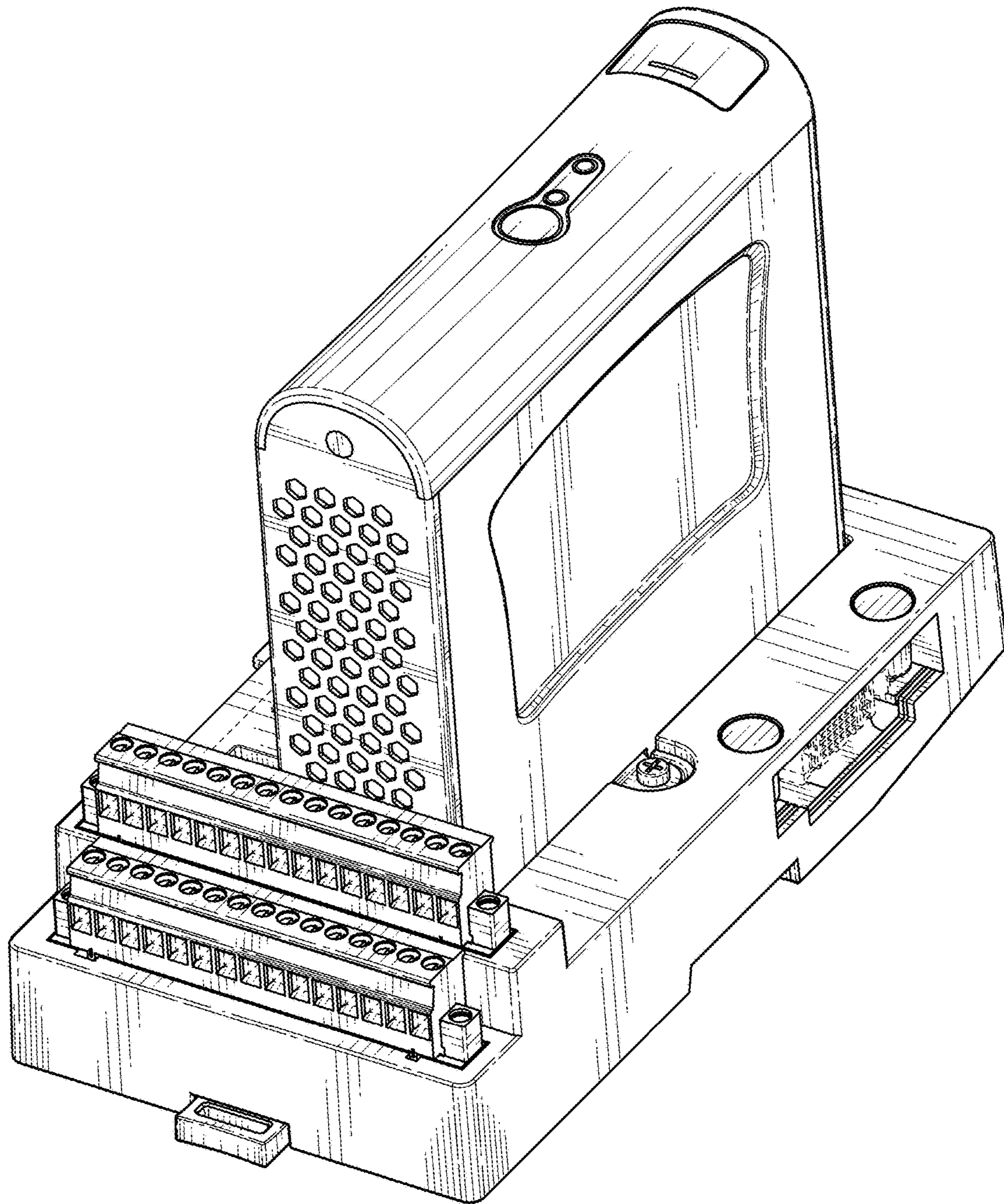


FIG. 7

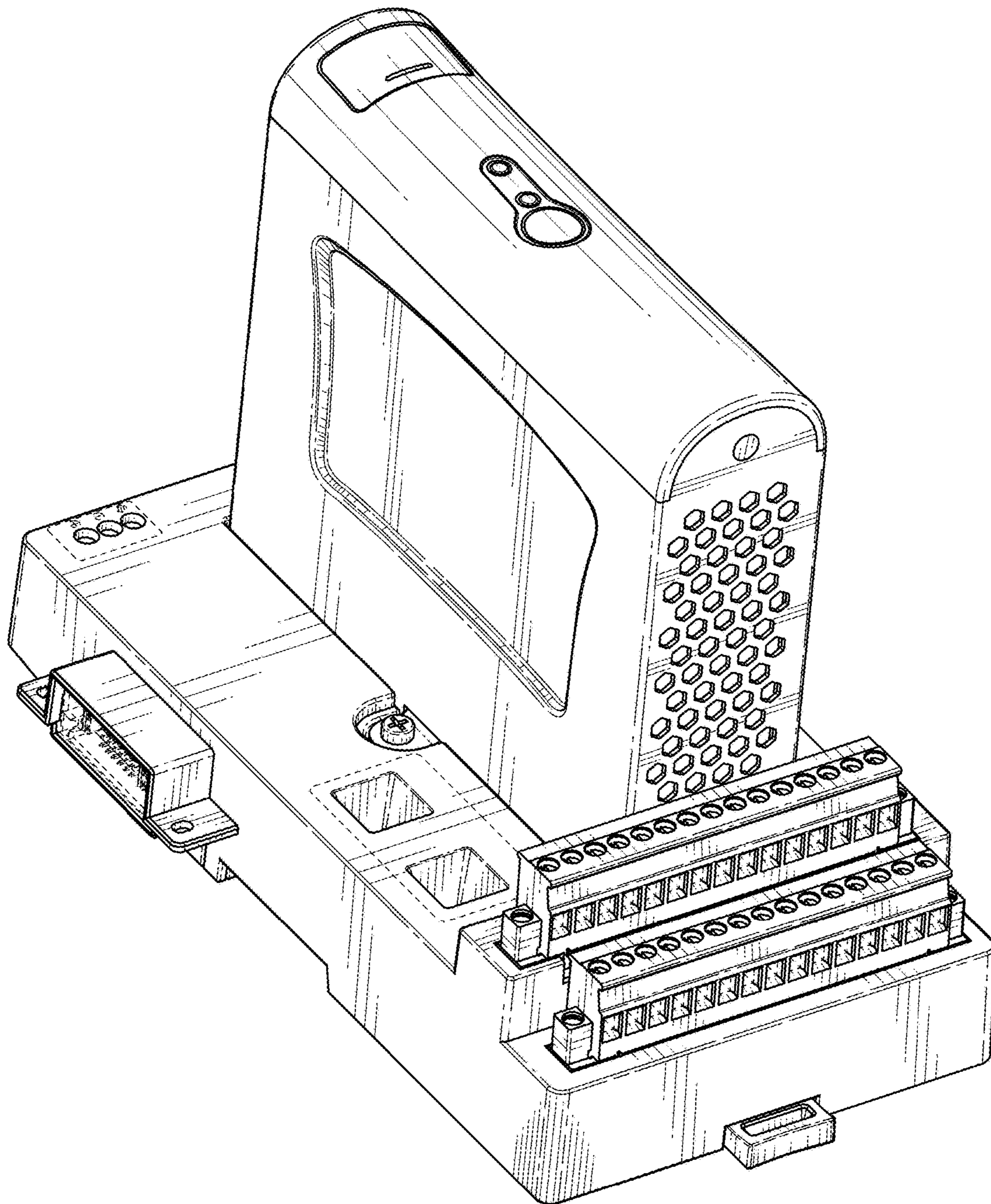


FIG. 8