



US00D774002S

(12) **United States Design Patent** (10) **Patent No.:** **US D774,002 S**
Hsieh (45) **Date of Patent:** **** Dec. 13, 2016**

- (54) **CABLE ORGANIZER**
- (71) Applicant: **Jack Wen-Chien Hsieh**, Vancouver (CA)
- (72) Inventor: **Jack Wen-Chien Hsieh**, Vancouver (CA)
- (**) Term: **15 Years**
- (21) Appl. No.: **29/548,037**
- (22) Filed: **Dec. 10, 2015**
- (51) **LOC (10) Cl.** **13-03**
- (52) **U.S. Cl.**
USPC **D13/155**
- (58) **Field of Classification Search**
USPC ... 174/70 C, 72 A, 135, 50, 520, 67, 92, 93; D8/356; 248/68.1, 74.2; D13/155, 156, D13/120-121, 123, 133, 154, 158, 160, D13/173, 178, 184, 199; 361/600; 439/723, 752, 135, 149, 367
CPC F16L 3/223; F16L 3/13; H02G 3/32; H01R 13/6392; H01R 13/424; H01R 13/426; H01R 13/4362; H01R 13/5213
See application file for complete search history.

D459,977 S *	7/2002	Byrnes	D8/357
D488,054 S *	4/2004	Myers	D8/356
D508,842 S *	8/2005	Paolini	D8/395
7,303,568 B2 *	12/2007	Jannot	A61B 17/06061 606/148
D568,254 S *	5/2008	Patchett	D13/155
D568,723 S *	5/2008	Morgan	D8/356
D597,493 S *	8/2009	Wu	D13/155
D638,692 S *	5/2011	Hoek	D8/356
D639,146 S *	6/2011	Hoek	D8/356
D644,501 S *	9/2011	Chen	D8/356
D653,100 S *	1/2012	Chen	D8/356
D657,869 S *	4/2012	Mammen	D24/128
D663,274 S *	7/2012	Gretz	D13/155
D719,013 S *	12/2014	St. John	D8/356
D721,335 S *	1/2015	Smeja	D13/155
8,998,151 B2 *	4/2015	Hoek	F16L 3/223 248/68.1
D747,276 S *	1/2016	Rodrigue	D13/155
2010/0132979 A1 *	6/2010	Chen	H02G 3/32 174/135

* cited by examiner

Primary Examiner — Derrick Holland
Assistant Examiner — Jennifer O King

(57) **CLAIM**

I claim the ornamental design for a cable organizer, as shown and described.

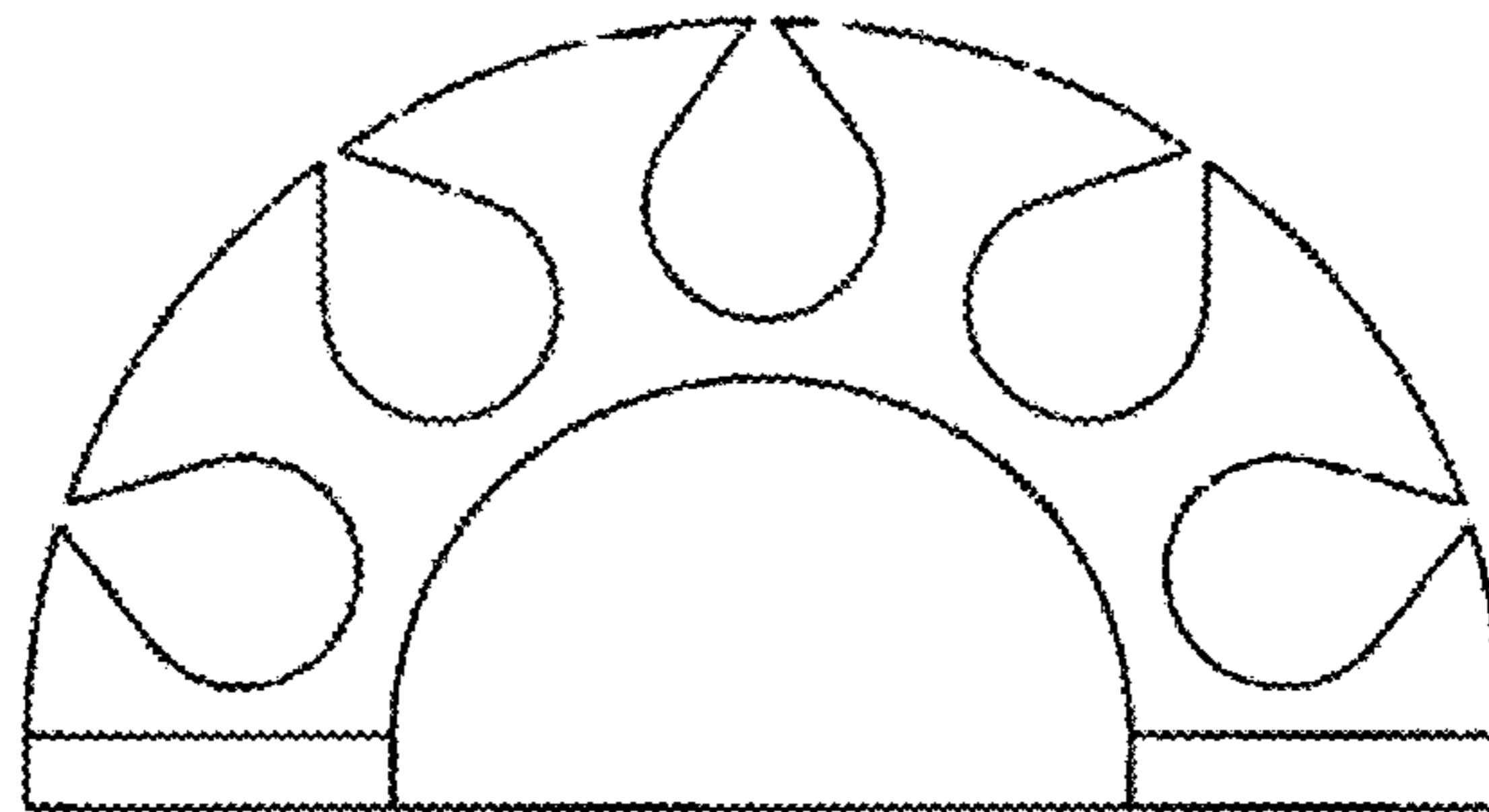
DESCRIPTION

FIG. 1 is a front elevational view of a cable organizer showing my new design;
FIG. 2 is a rear elevational view thereof;
FIG. 3 is a right side elevational view thereof;
FIG. 4 is a left side elevational view thereof;
FIG. 5 is a top plan view thereof;
FIG. 6 is a bottom plan view thereof; and,
FIG. 7 is a isometric view thereof.
The broken lines shown represent unclaimed subject matter and form no part of the claimed design.

1 Claim, 1 Drawing Sheet

(56) **References Cited**
U.S. PATENT DOCUMENTS

D190,429 S *	5/1961	Hoagland	131/256
D209,329 S *	11/1967	Coderre	D8/382
3,696,920 A *	10/1972	Lahay	128/DIG. 26
4,164,943 A *	8/1979	Hill	A61M 25/02 128/DIG. 26
4,244,544 A *	1/1981	Kornat	F16L 3/13 248/68.1
D378,408 S *	3/1997	Pyeatt	D24/128
6,227,502 B1 *	5/2001	Derman	F16L 3/2235 248/68.1
6,392,147 B1 *	5/2002	Hier	B60R 16/0215 174/135



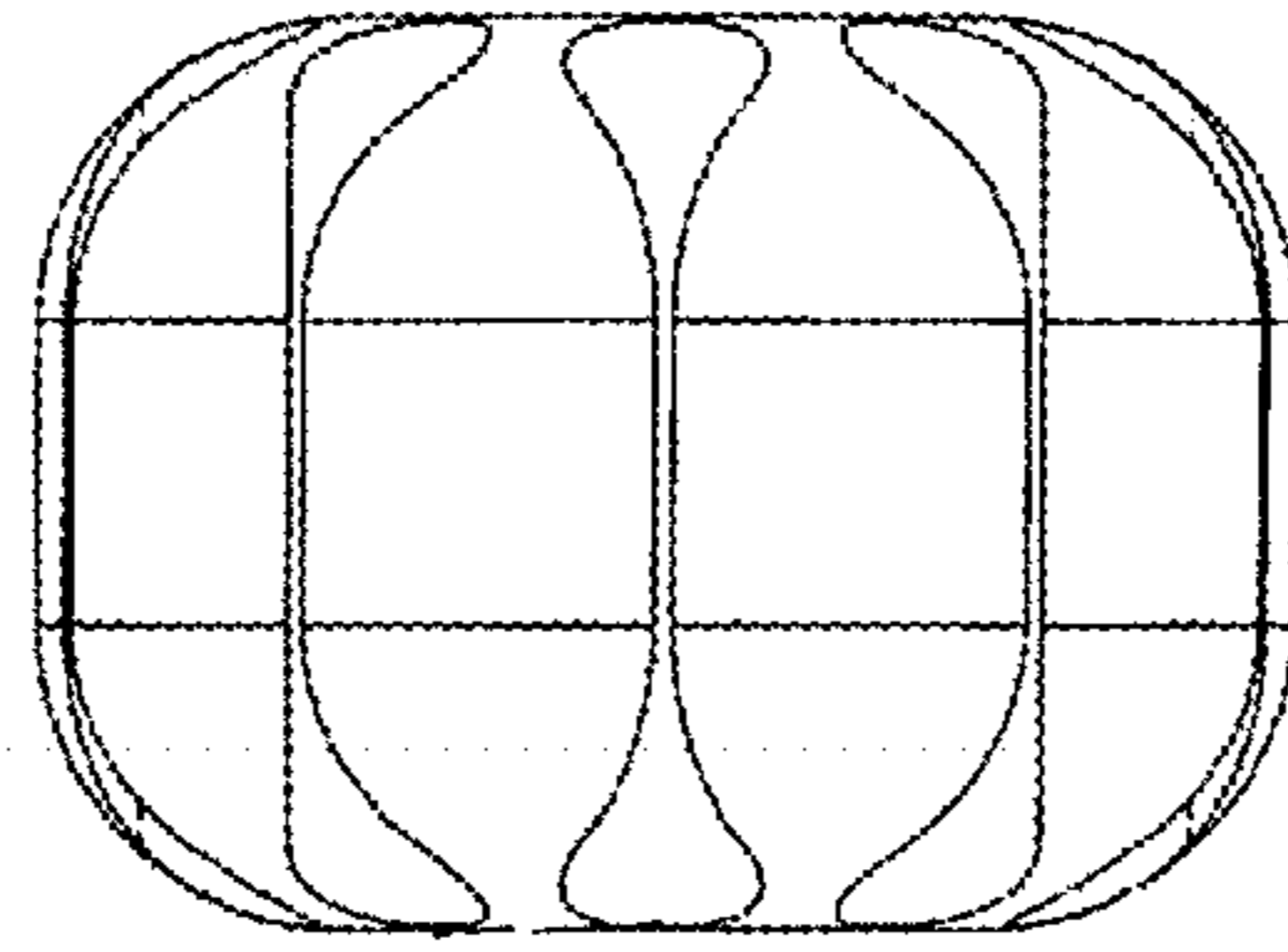


Fig. 5

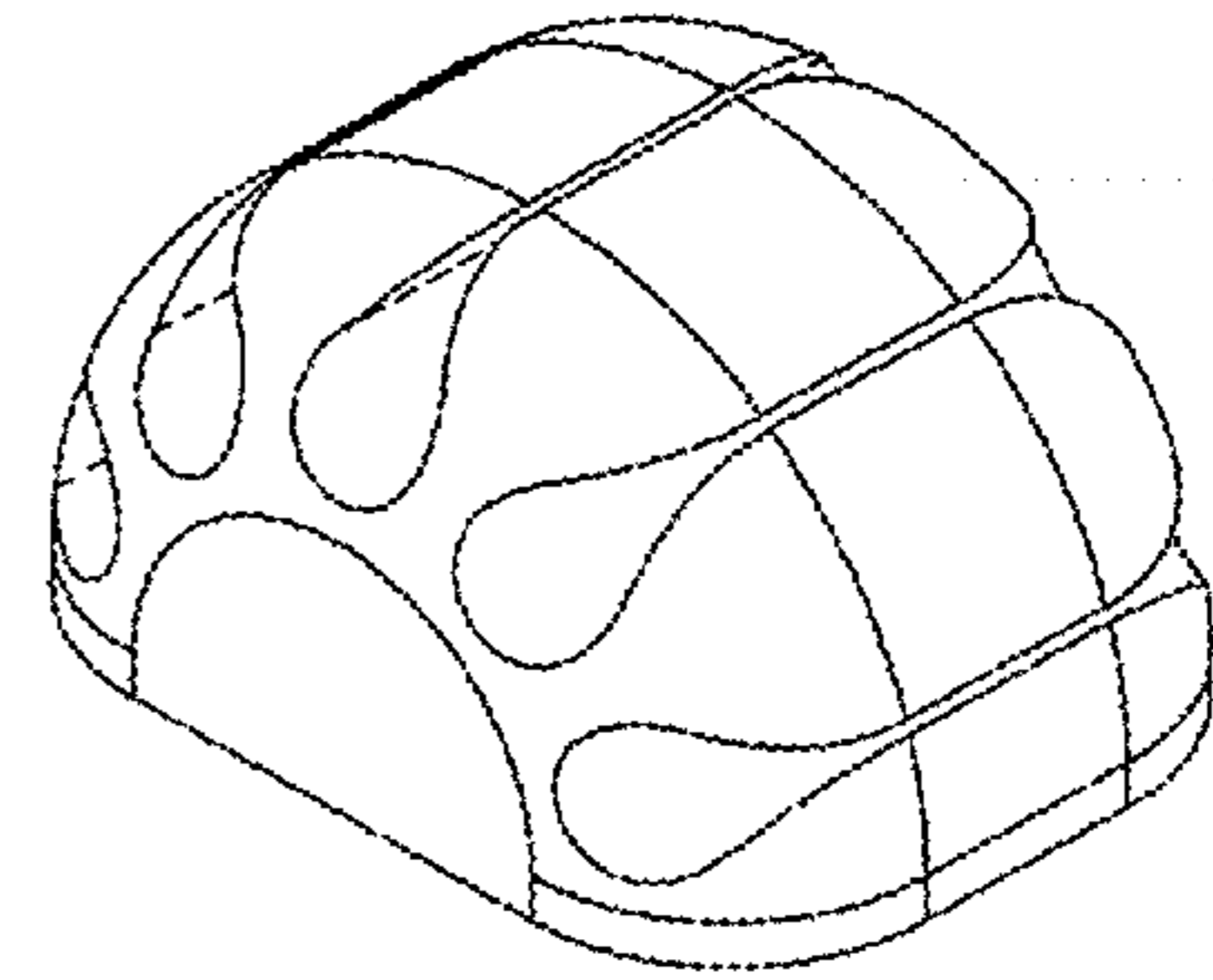


Fig. 7

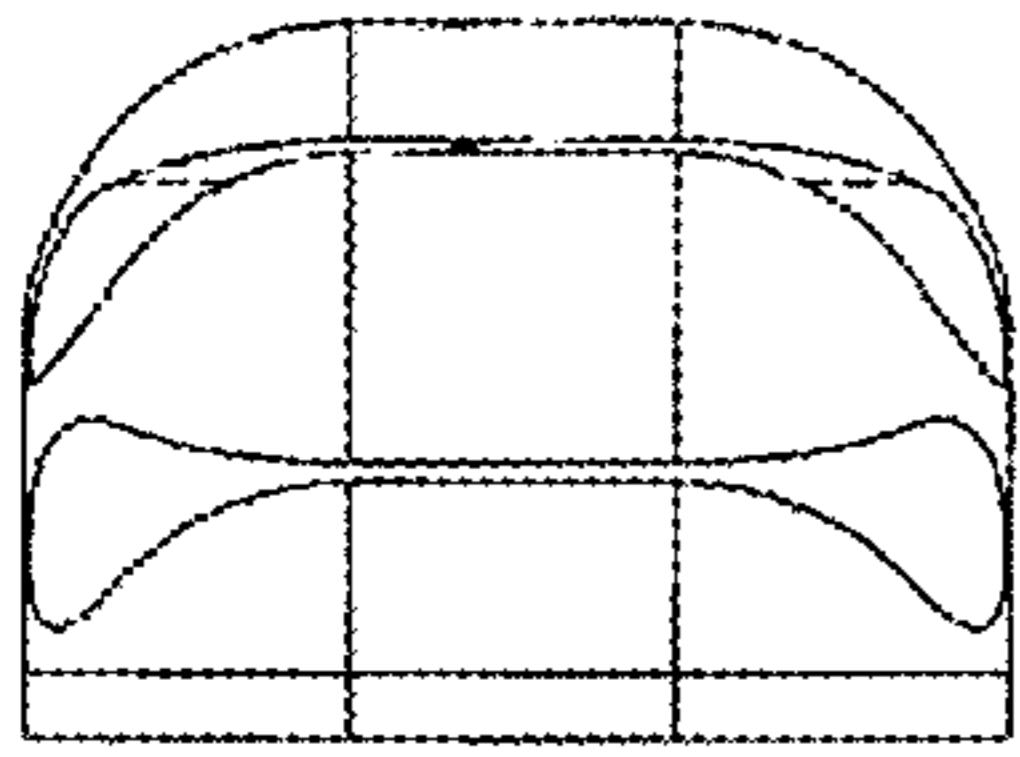


Fig. 4

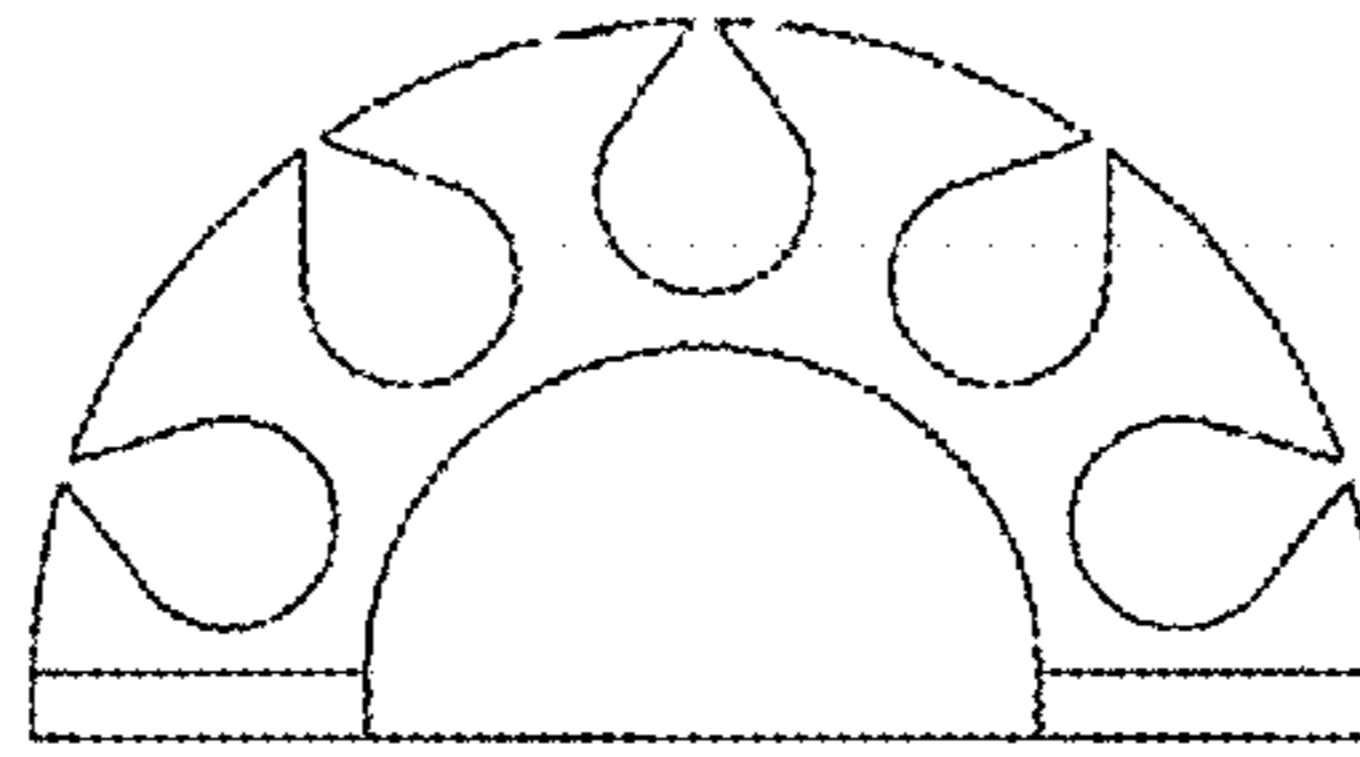


Fig. 1

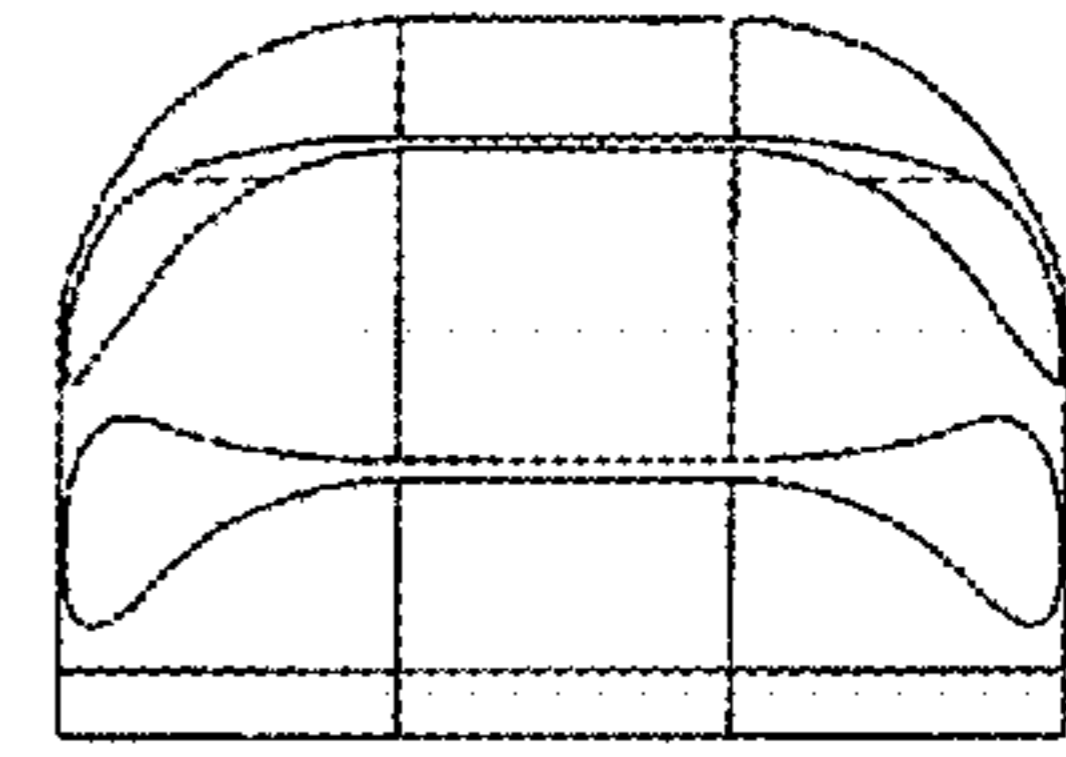


Fig. 3

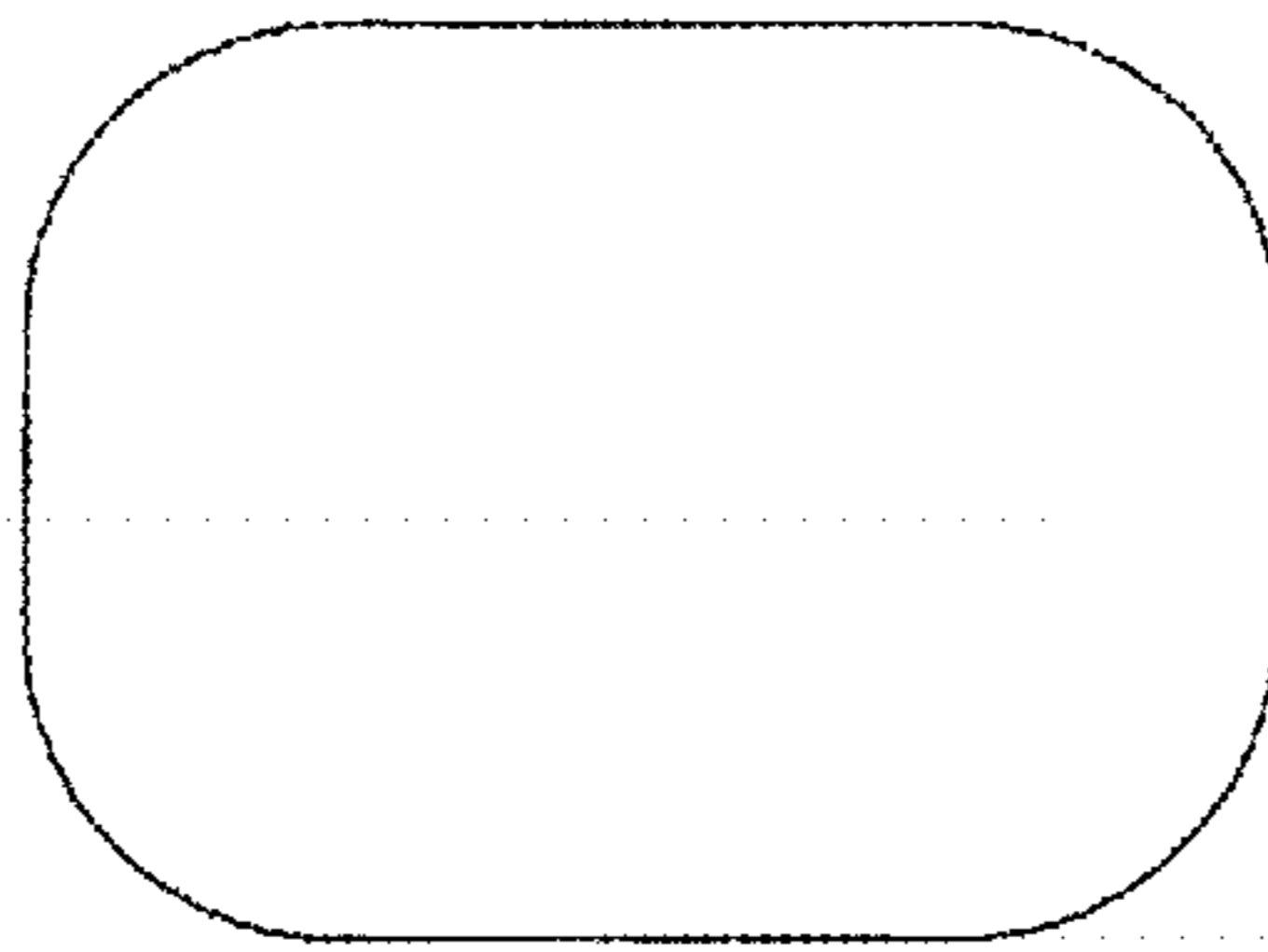


Fig. 6

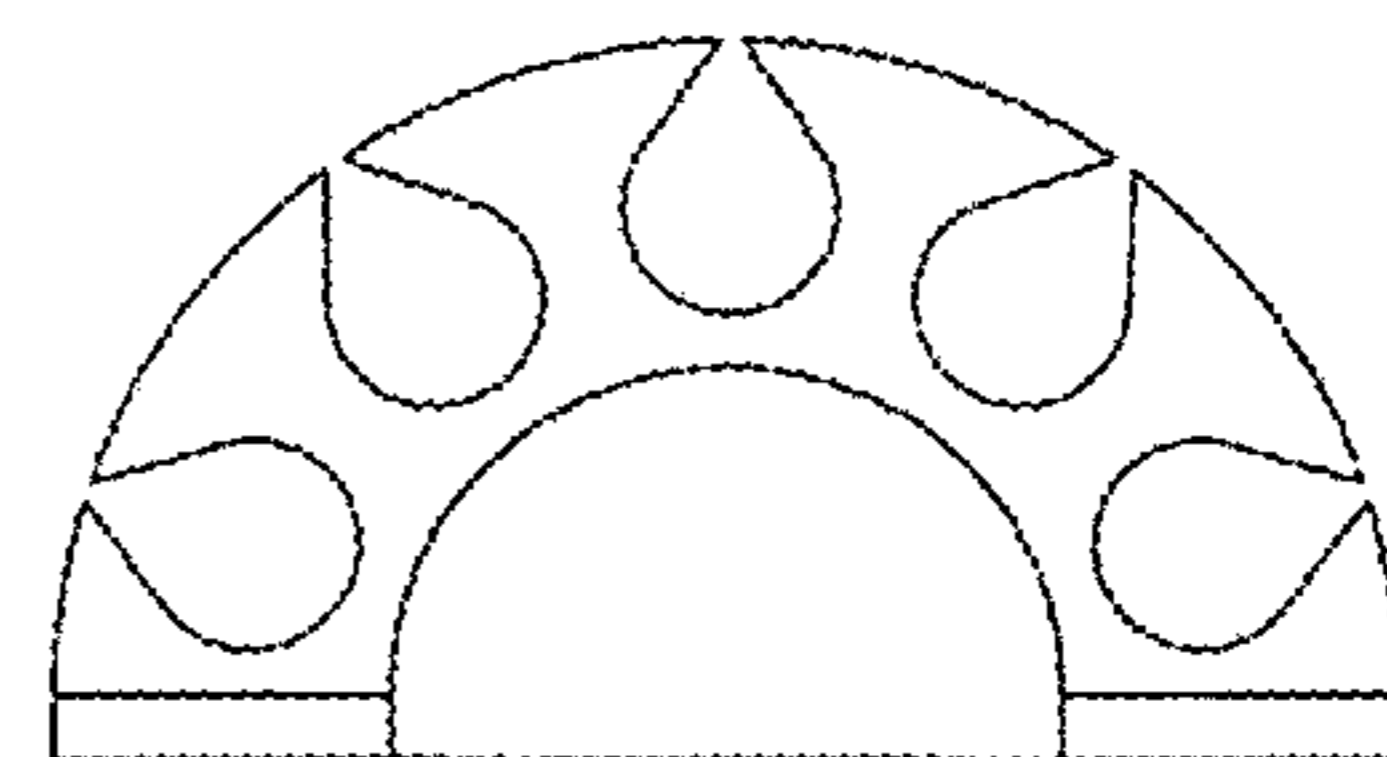


Fig. 2