



US00D773998S

(12) **United States Design Patent** (10) **Patent No.:** **US D773,998 S**
Endo et al. (45) **Date of Patent:** **** Dec. 13, 2016**

(54) **ELECTRIC CONNECTOR**

(71) Applicant: **DAI-ICHI SEIKO CO., LTD.**, Kyoto (JP)

(72) Inventors: **Takayoshi Endo**, Shizuoka (JP);
Daisuke Matsushita, Shizuoka (JP);
Koji Hanaki, Shizuoka (JP)

(73) Assignee: **DAI-ICHI SEIKO CO., LTD.**, Kyoto (JP)

(**) Term: **15 Years**

(21) Appl. No.: **29/538,194**

(22) Filed: **Sep. 1, 2015**

(30) **Foreign Application Priority Data**

Mar. 4, 2015 (JP) 2015-004732

(51) **LOC (10) Cl.** **13-03**

(52) **U.S. Cl.**
USPC **D13/147**

(58) **Field of Classification Search**
USPC D13/133, 146, 147, 154, 184, 199
CPC . H01R 13/422; H01R 13/423; H01R 13/4361;
H01R 13/4362; H01R 13/4365; H01R
13/4368; H01R 13/514; H01R 13/627;
H01R 13/639
See application file for complete search history.

(56) **References Cited**

U.S. PATENT DOCUMENTS

D518,443 S * 4/2006 Kawahara D13/147
7,179,094 B2 * 2/2007 Kawahara H01R 4/028
439/74

D562,246 S * 2/2008 Matsuzaki D13/147
D574,330 S * 8/2008 Matsuzaki D13/147
D742,321 S * 11/2015 Endo D13/147
D742,322 S * 11/2015 Endo D13/147
D748,589 S * 2/2016 Endo D13/147

* cited by examiner

Primary Examiner — Daniel Bui

(74) *Attorney, Agent, or Firm* — Nakanishi IP Associates, LLC

(57) **CLAIM**

The ornamental design for an electric connector, as shown and described.

DESCRIPTION

FIG. 1 is a front, top, and right side perspective view of an electric connector showing our new design;
FIG. 2 is a rear, top, and left side perspective view thereof;
FIG. 3 is a front elevation view thereof;
FIG. 4 is a rear elevation view thereof;
FIG. 5 is a top plan view thereof;
FIG. 6 is a bottom plan view thereof;
FIG. 7 is a right side elevation view thereof;
FIG. 8 is a left side elevation view thereof; and,
FIG. 9 is a front, top, and right side perspective view thereof, in use condition.

The broken lines shown in the drawings are included for the purpose of illustrating unclaimed environment only, and form no part of the claimed design.

1 Claim, 8 Drawing Sheets

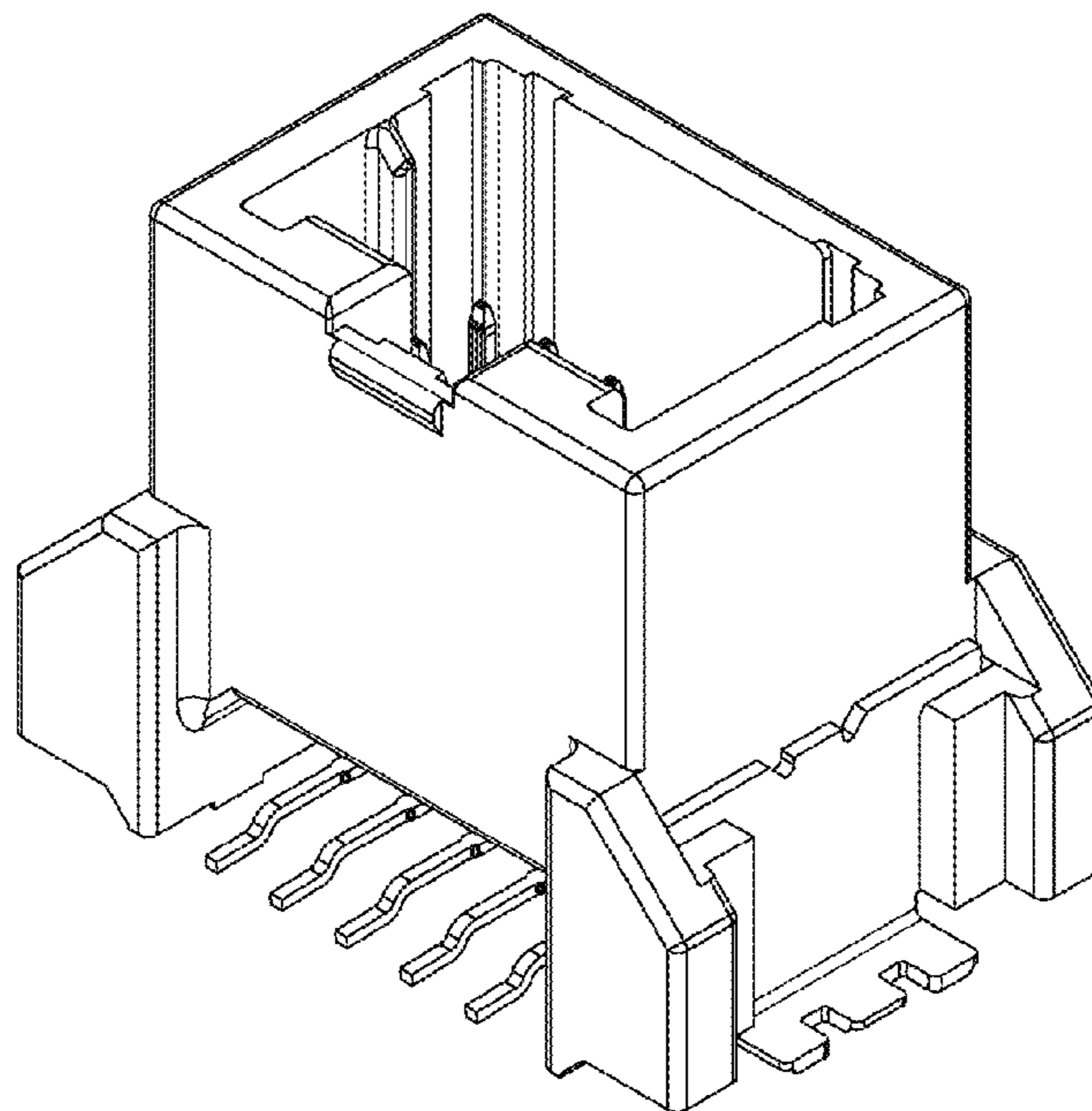


FIG. 1

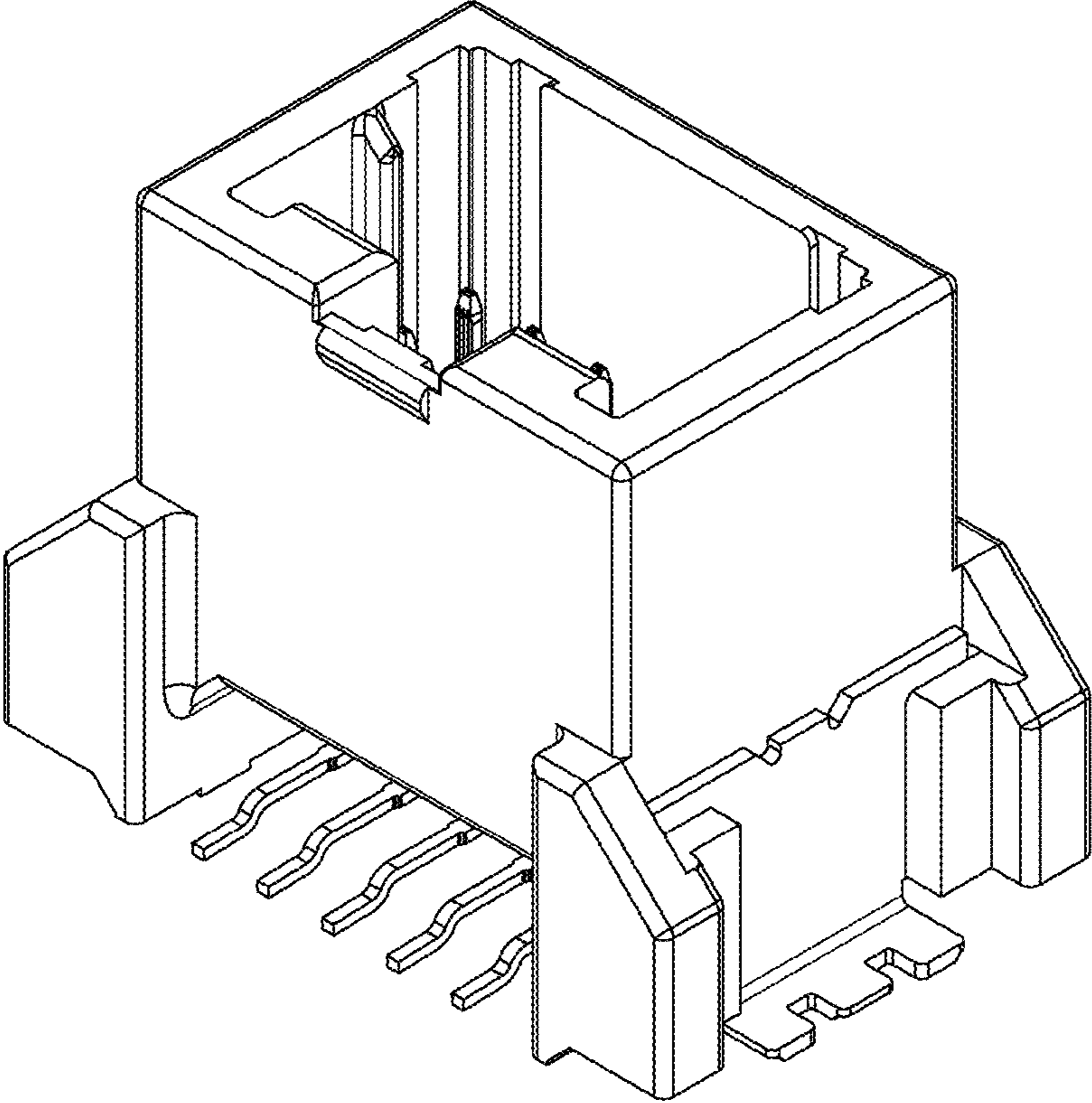


FIG. 2

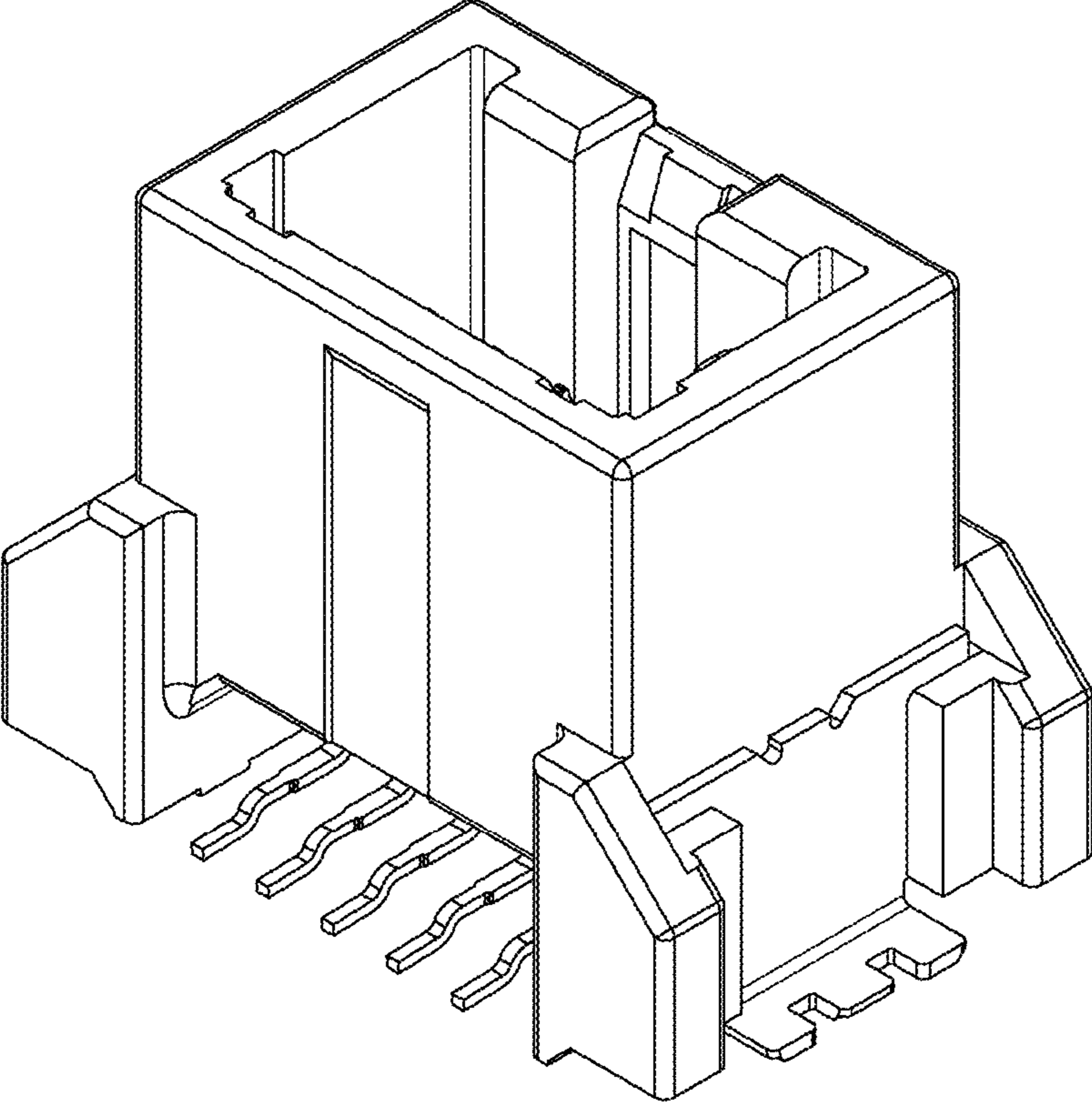


FIG. 3

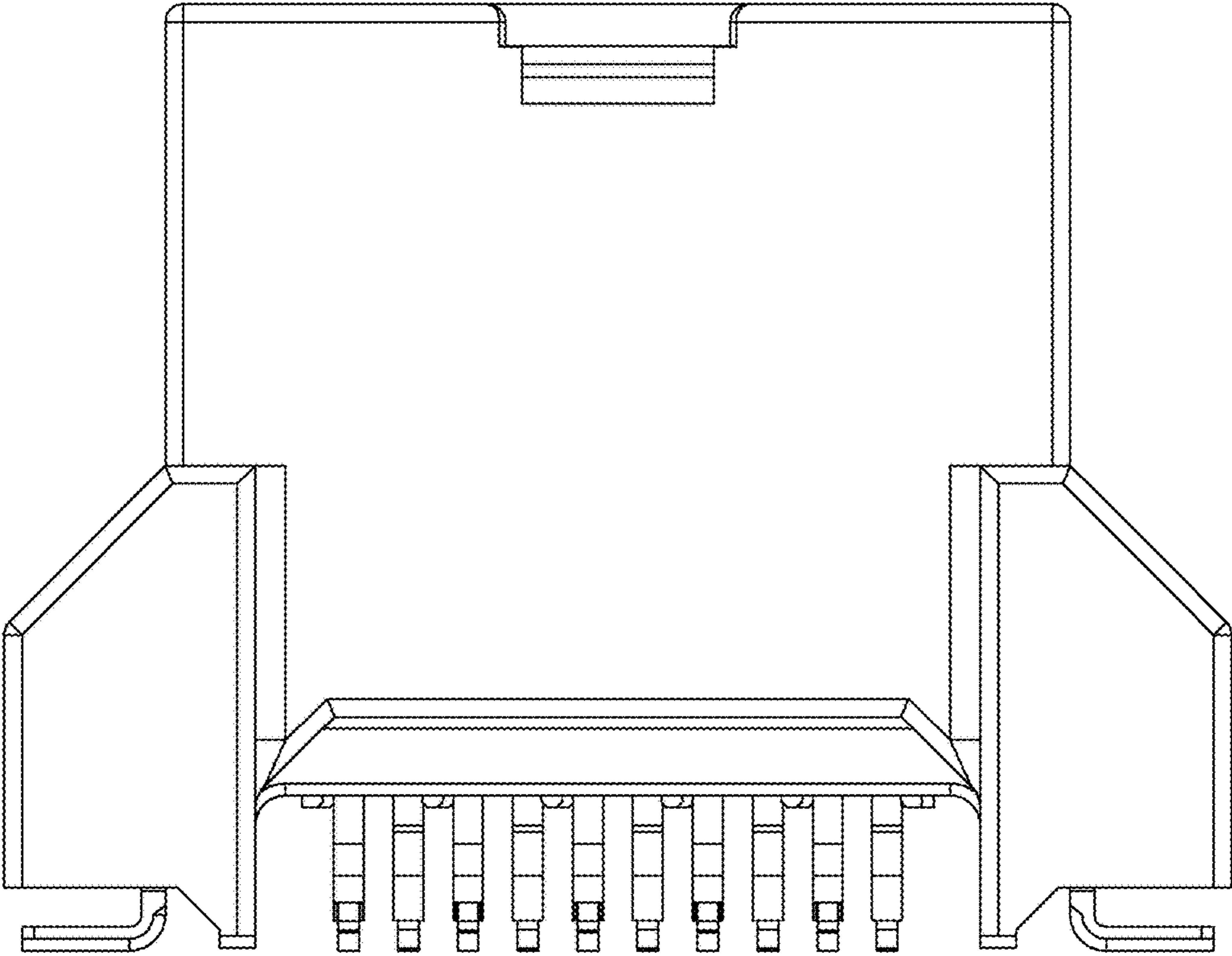


FIG. 4

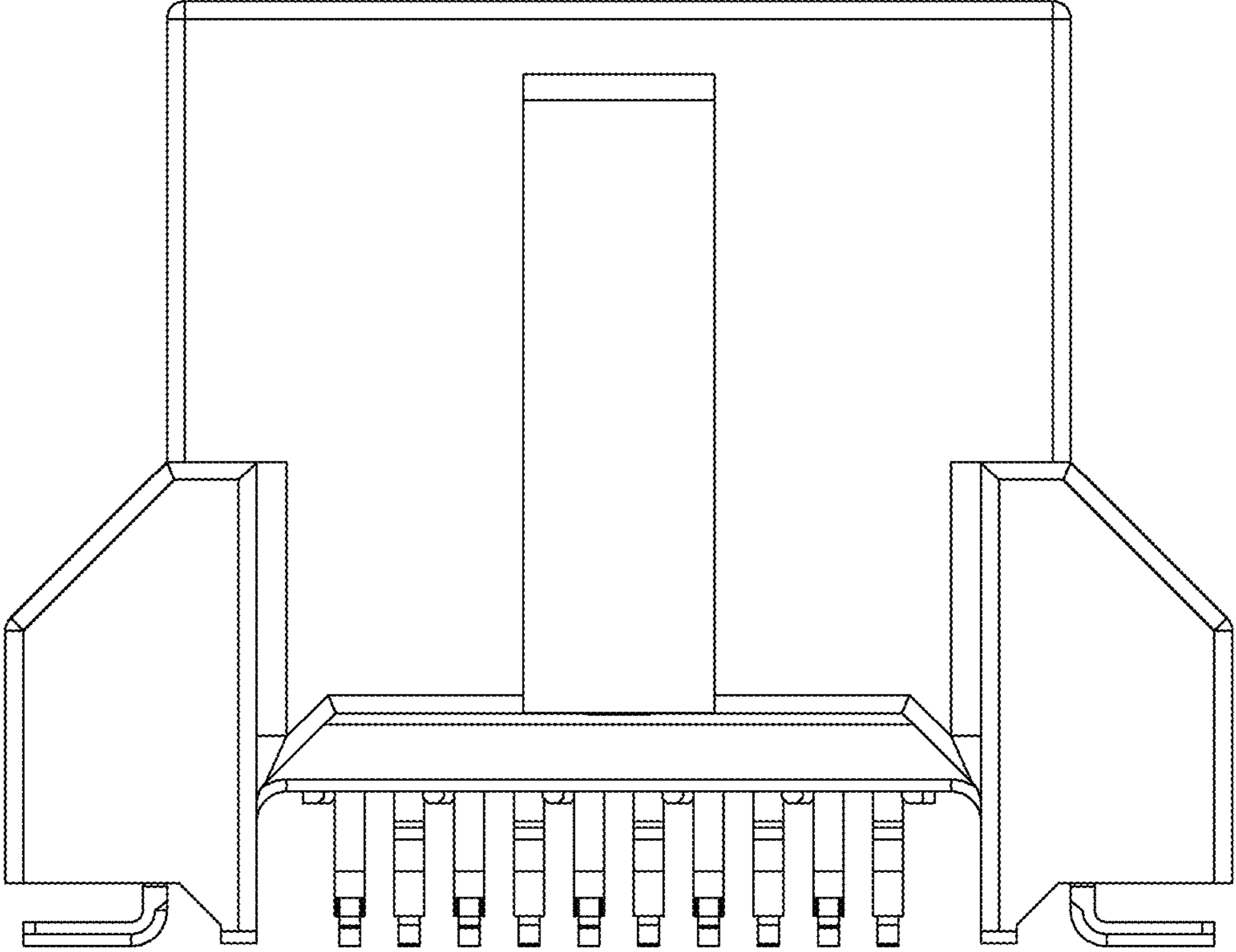


FIG. 5

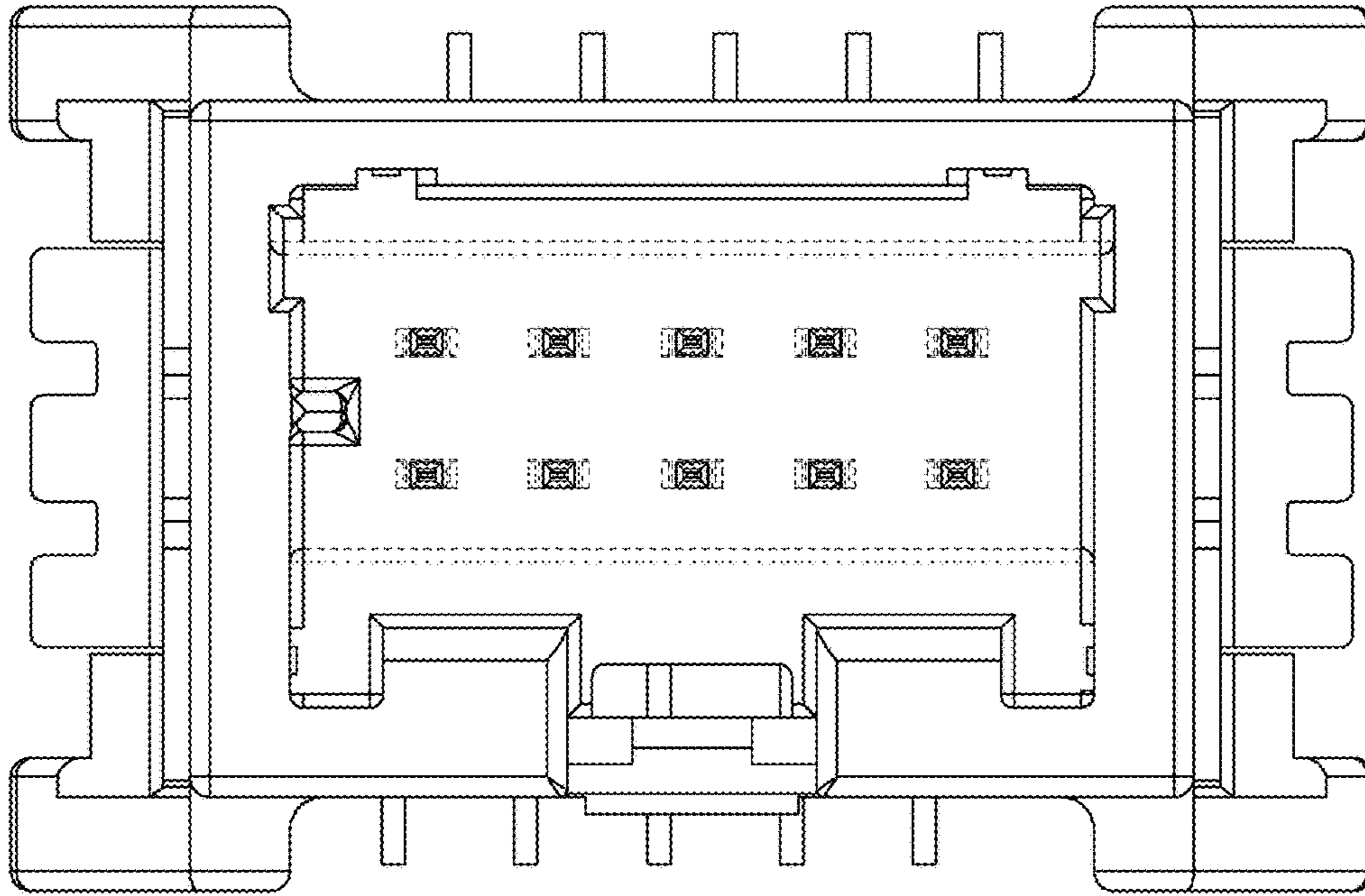


FIG. 6

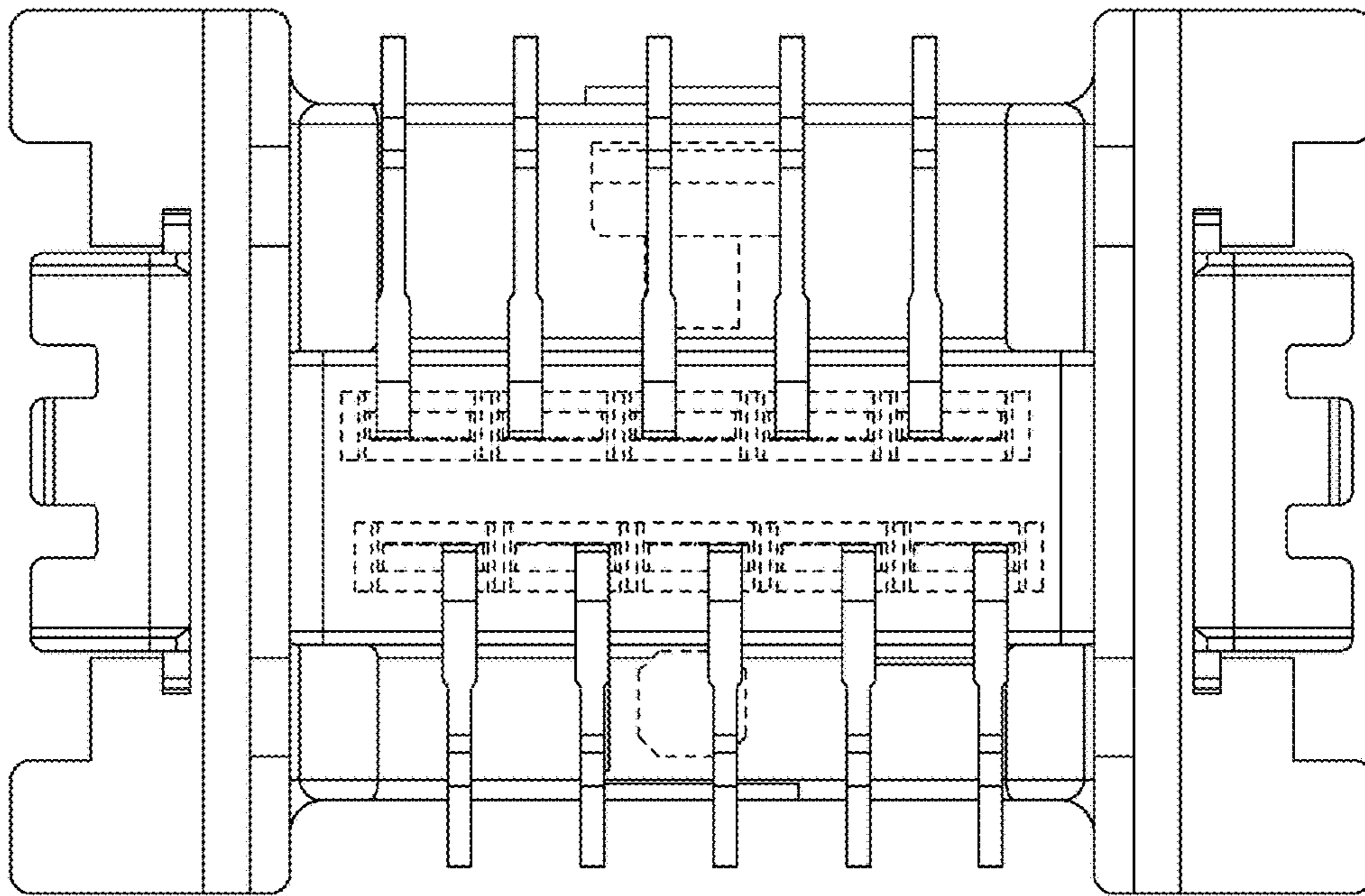


FIG. 7

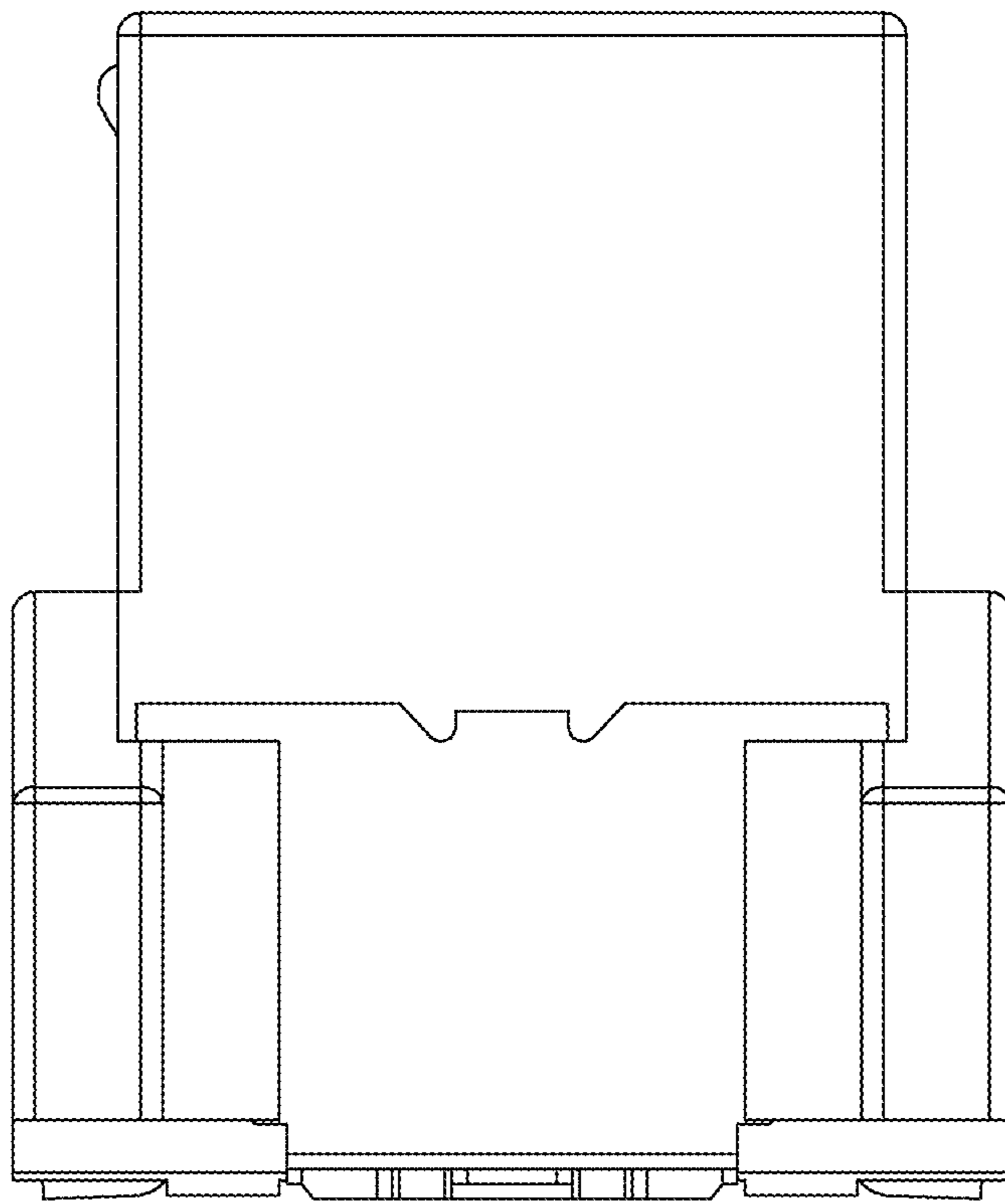


FIG. 8

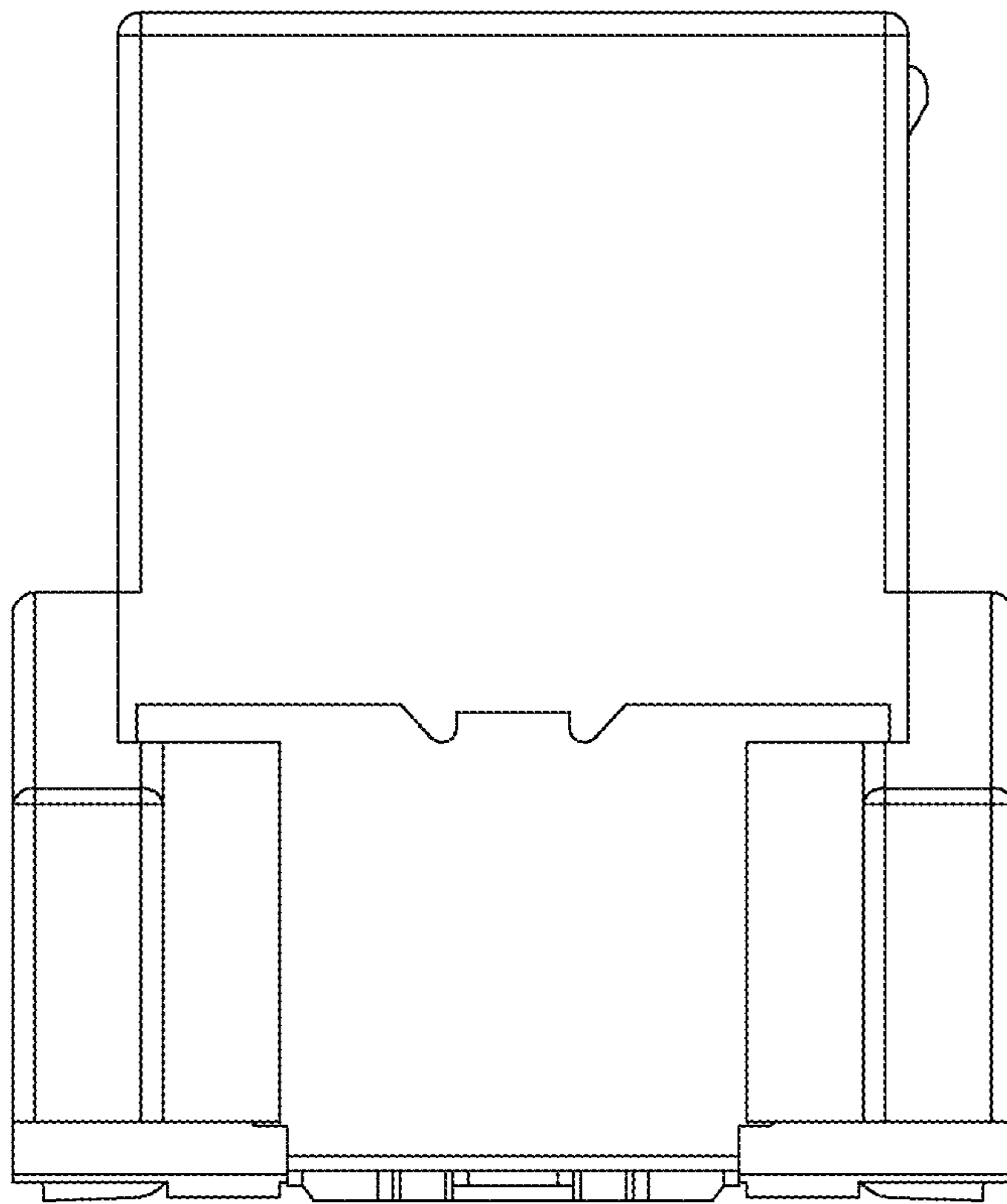


FIG. 9

