



US00D773997S

(12) **United States Design Patent**  
**Sato**

(10) **Patent No.:** **US D773,997 S**

(45) **Date of Patent:** **\*\* Dec. 13, 2016**

(54) **CONNECTOR**

(71) Applicant: **IRISO ELECTRONICS CO., LTD.**,  
Yokohama (JP)

(72) Inventor: **Katsumasa Sato**, Yokohama (JP)

(73) Assignee: **IRISO ELECTRONICS CO., LTD.**,  
Kanagawa (JP)

(\*\*) Term: **15 Years**

(21) Appl. No.: **29/505,323**

(22) Filed: **Sep. 16, 2015**

(30) **Foreign Application Priority Data**

Mar. 20, 2015 (JP) ..... 2015-005996

(51) **LOC (10) Cl.** ..... **13-03**

(52) **U.S. Cl.**  
USPC ..... **D13/147**

(58) **Field of Classification Search**  
USPC ..... D13/133, 147, 154, 184, 199  
CPC ..... H01R 12/00; H01R 13/00; H01R 24/00;  
H01R 43/00  
See application file for complete search history.

(56) **References Cited**

**U.S. PATENT DOCUMENTS**

D574,330 S \* 8/2008 Matsuzaki ..... D13/147  
D584,229 S \* 1/2009 Yang ..... D13/146  
D597,951 S \* 8/2009 Hatano ..... D13/147

D704,645 S \* 5/2014 Nomura ..... D13/147  
D708,580 S \* 7/2014 McCartin ..... D13/147  
D733,663 S \* 7/2015 Chen ..... D13/147

\* cited by examiner

*Primary Examiner* — Daniel Bui

(74) *Attorney, Agent, or Firm* — Buchanan Ingersoll &  
Rooney PC

(57) **CLAIM**

The ornamental design for a connector, as shown and described.

**DESCRIPTION**

FIG. 1 is a front elevational view of a connector showing my new design;  
FIG. 2 is a rear elevational view thereof;  
FIG. 3 is a right side elevational view thereof; a left side elevational view thereof being a mirror image;  
FIG. 4 is a top plan view thereof;  
FIG. 5 is a bottom plan view thereof;  
FIG. 6 is a perspective view thereof; and,  
FIG. 7 is a perspective view thereof.

**1 Claim, 7 Drawing Sheets**

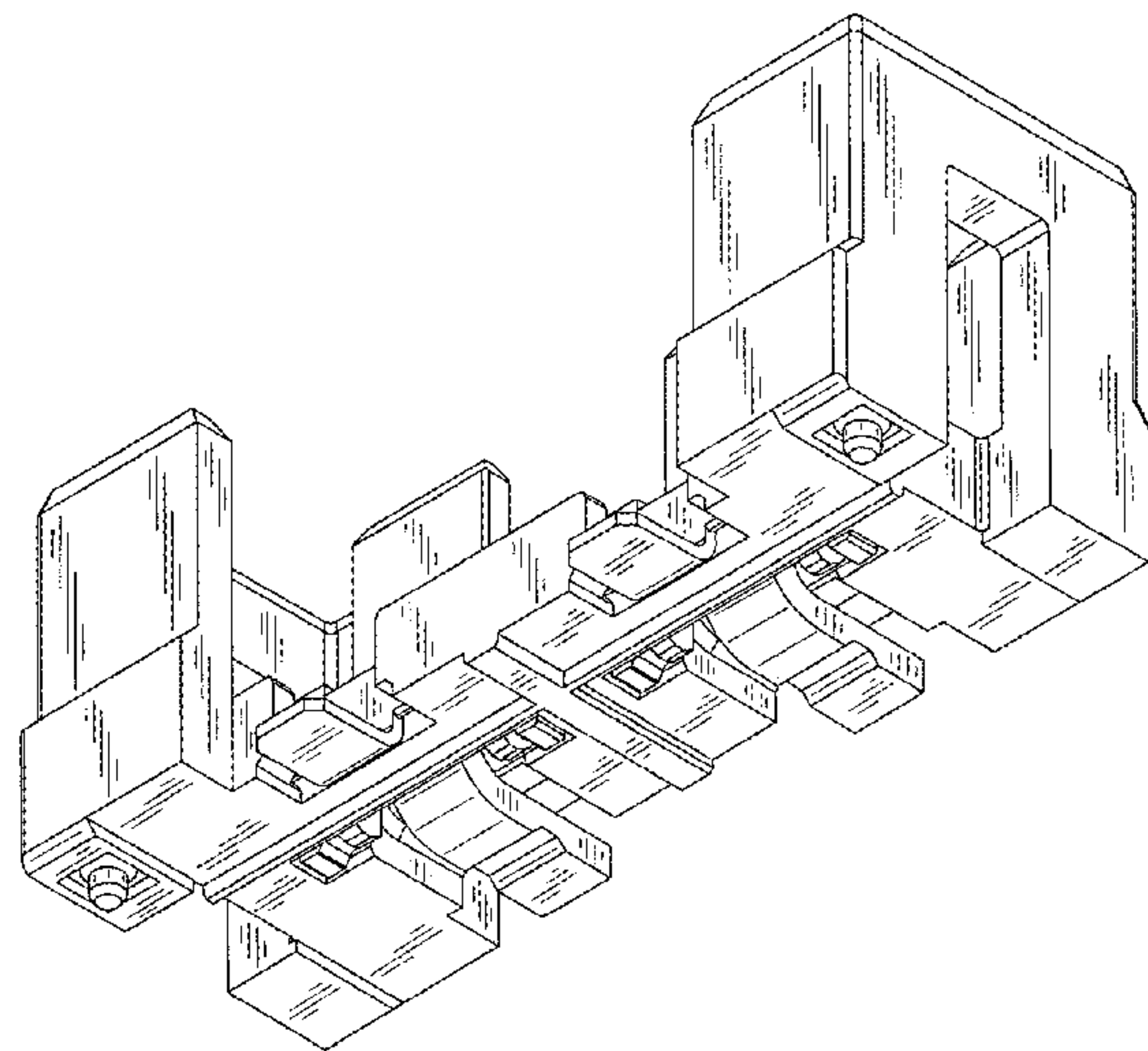
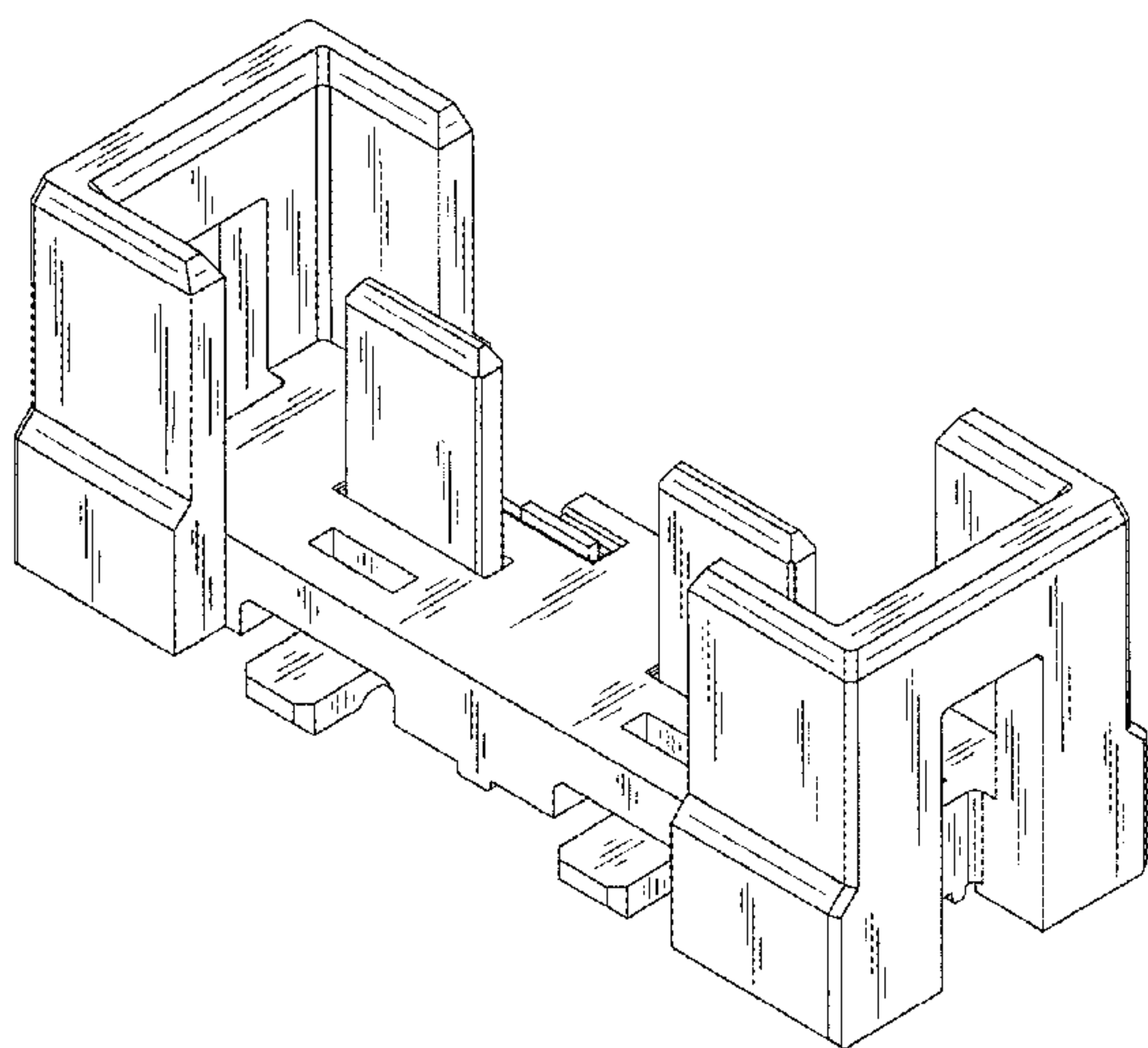


Fig.1

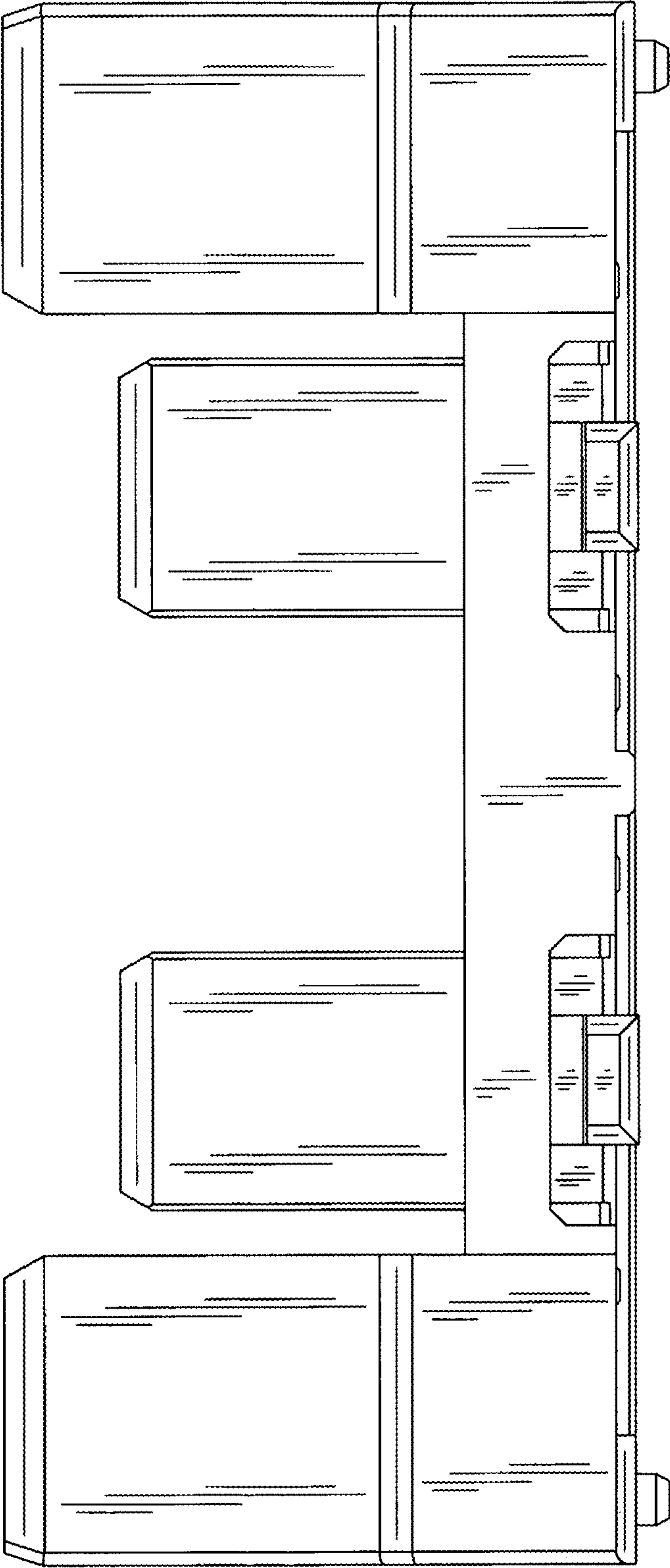


Fig.2

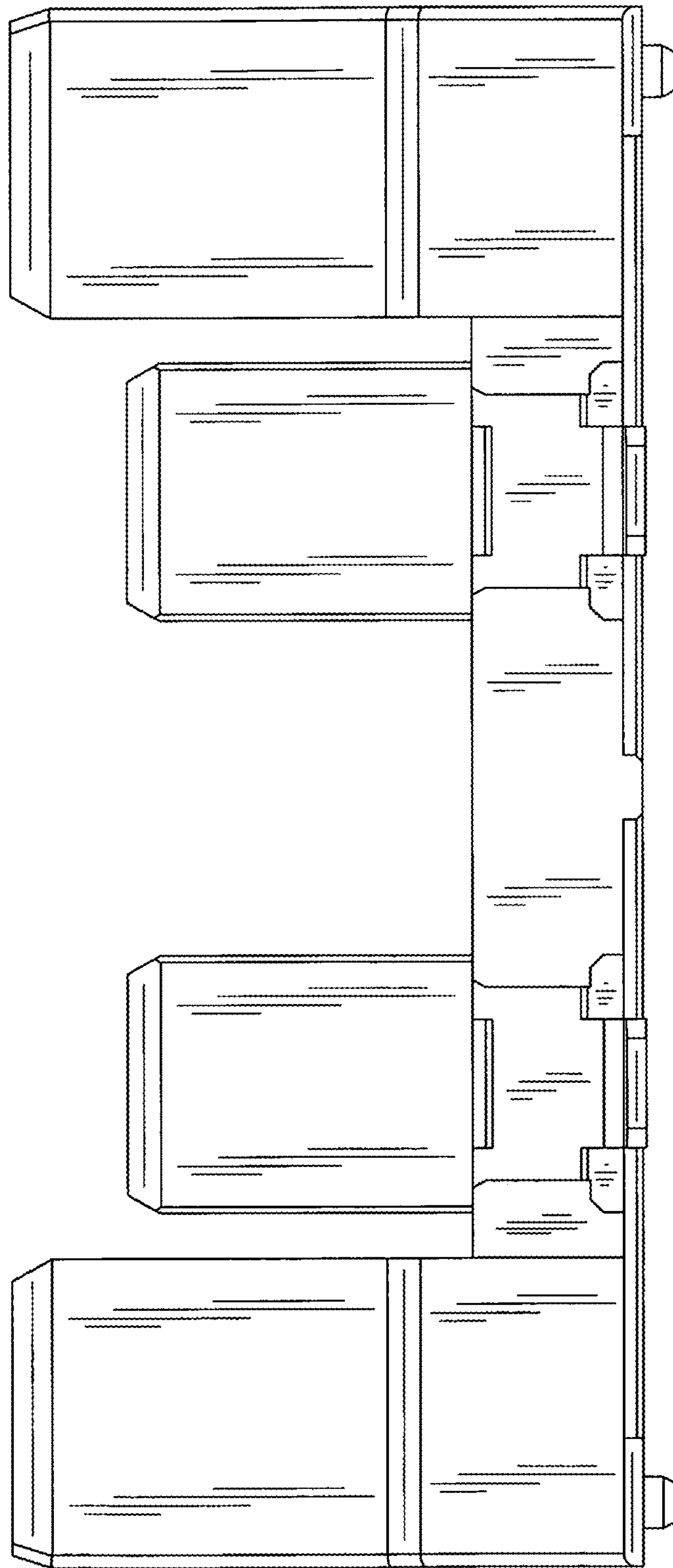


Fig.3

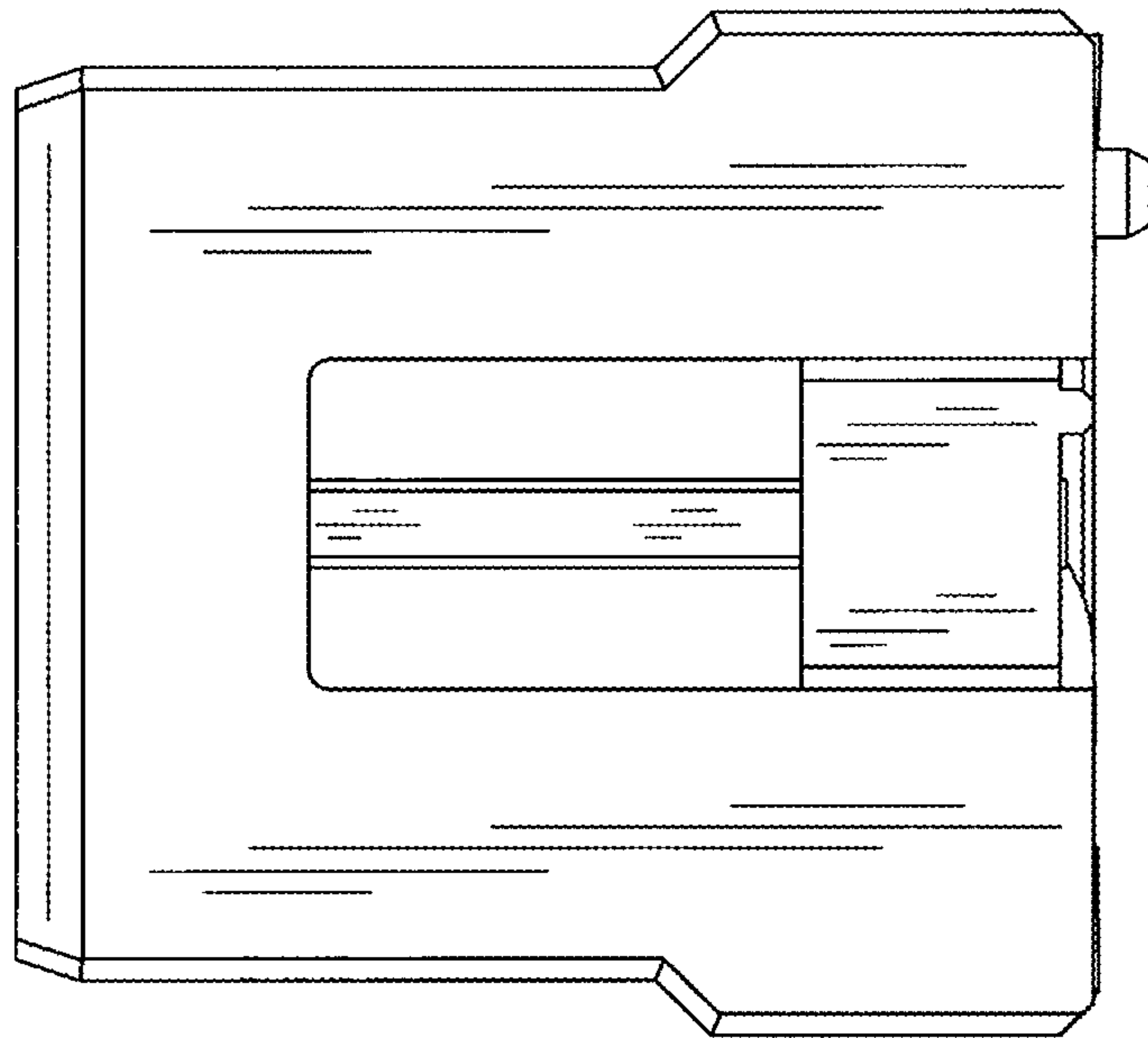


Fig.4

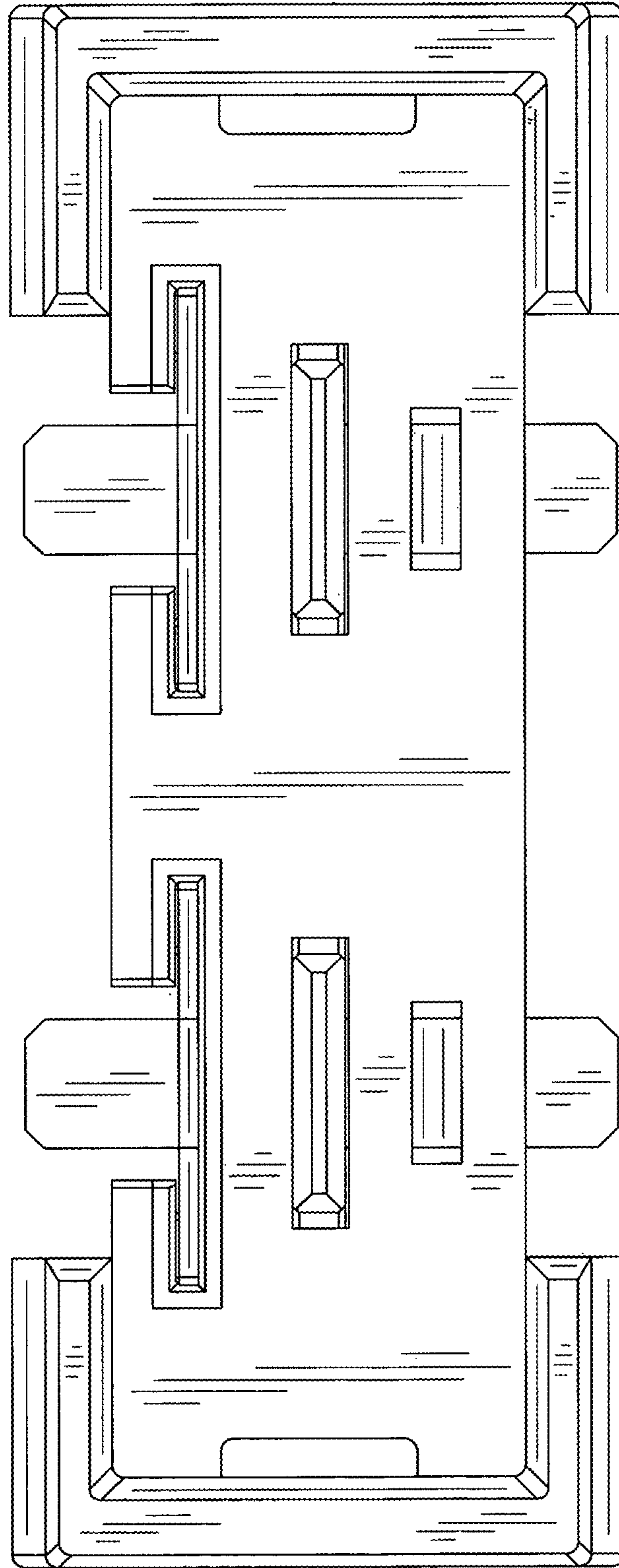
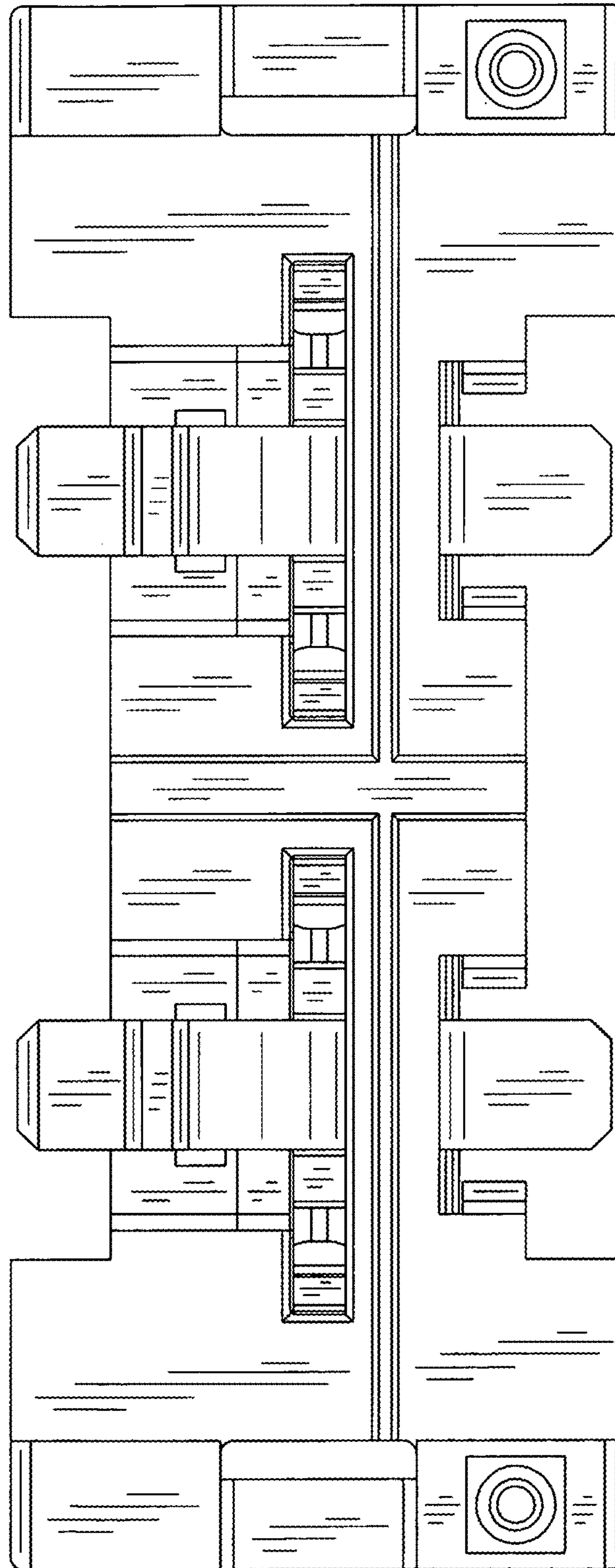




Fig.5



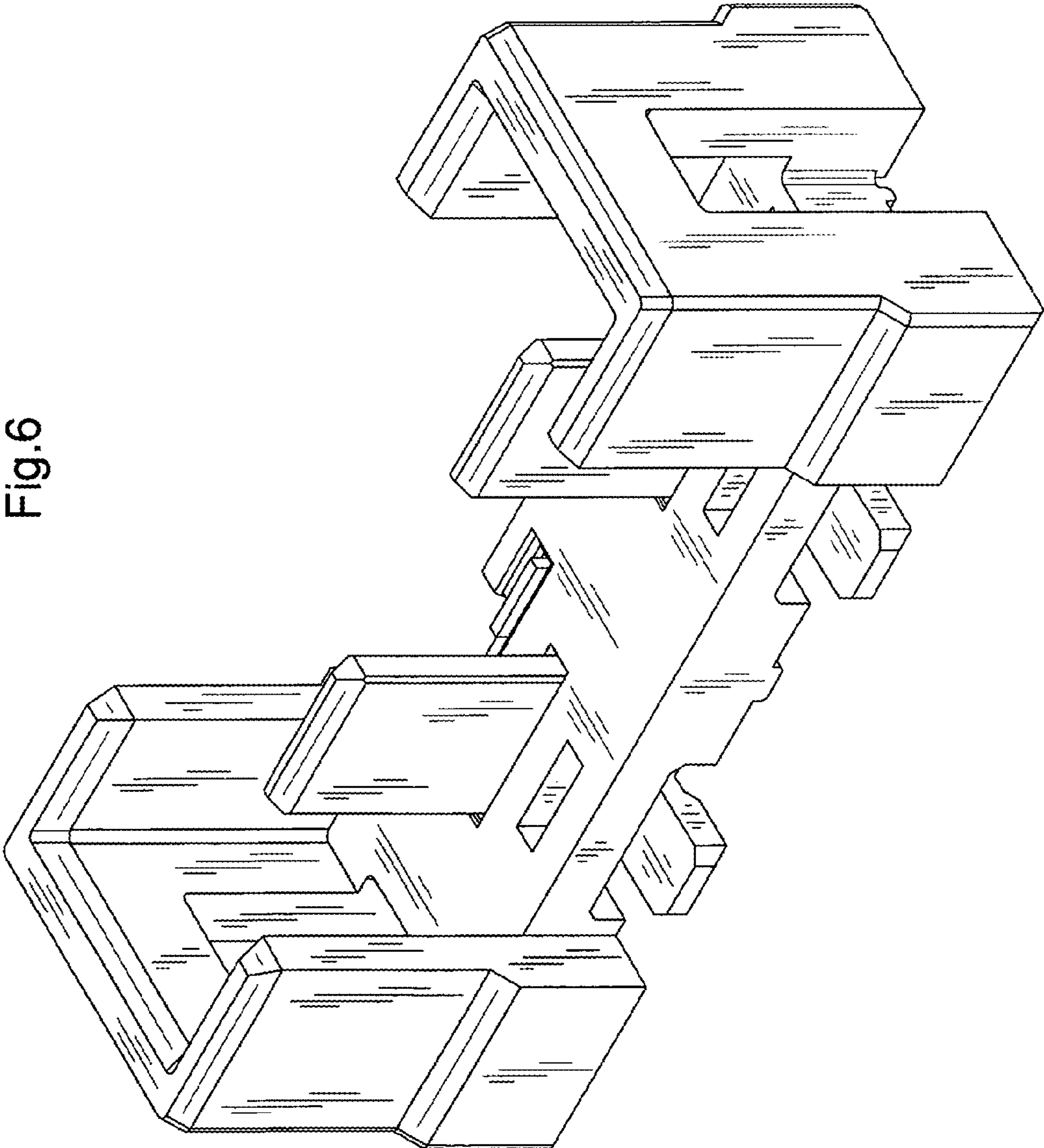


Fig.6

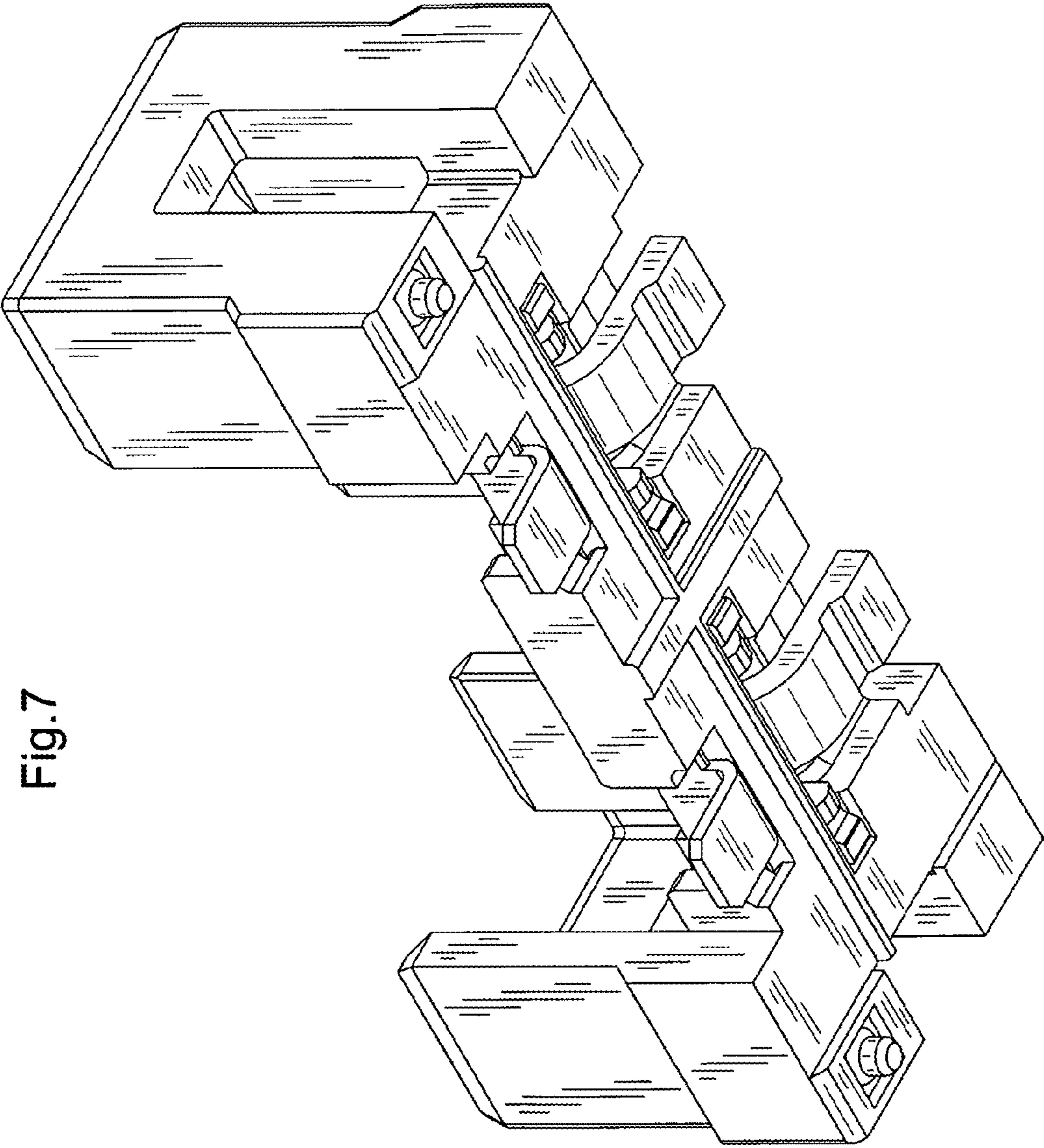


Fig.7