



US00D773996S

(12) **United States Design Patent**
Greig et al.

(10) **Patent No.:** **US D773,996 S**

(45) **Date of Patent:** **** Dec. 13, 2016**

(54) **CONNECTOR APPARATUS**

(71) Applicant: **Phitek Systems Limited**, Auckland (NZ)

(72) Inventors: **Nigel Greig**, Auckland (NZ); **Edward Scholten**, Auckland (NZ); **Hamish Dublon**, Auckland (NZ); **Brendon David Midgley**, Auckland (NZ)

(**) Term: **14 Years**

(21) Appl. No.: **29/488,341**

(22) Filed: **Apr. 17, 2014**

(51) **LOC (10) Cl.** **13-03**

(52) **U.S. Cl.**
USPC **D13/146**

(58) **Field of Classification Search**
USPC D13/123, 133, 146, 147, 154, 184, 199
See application file for complete search history.

(56) **References Cited**

U.S. PATENT DOCUMENTS

D225,740 S *	1/1973	Thompson	D13/146
D261,757 S *	11/1981	Wunderlich	D13/133
D286,281 S *	10/1986	Sekiguchi	D13/146
D362,231 S *	9/1995	Chen	D13/147
D478,550 S *	8/2003	Garver	D13/146
D691,094 S *	10/2013	Fujioka	D13/147
D711,827 S *	8/2014	Greig	D13/133

D713,790 S *	9/2014	Greig	D13/133
D733,053 S *	6/2015	Greig	D13/133
2012/0315771 A1 *	12/2012	Greig	H01R 13/6205 439/39
2013/0303001 A1 *	11/2013	Greig	H01R 13/6205 439/39

* cited by examiner

Primary Examiner — Daniel Bui

(74) *Attorney, Agent, or Firm* — Jackson Walker LLP

(57) **CLAIM**

The ornamental design for a connector apparatus, as shown and described.

DESCRIPTION

FIG. 1 is a top, front and left side perspective view of a connector apparatus showing our new design.

FIG. 2 is a front elevation view thereof.

FIG. 3 is a left side elevation view thereof, the right side elevation view being a mirror image of the left side elevation view.

FIG. 4 is a top plan view thereof, the bottom plan view being the same as the top plan view.

FIG. 5 is a rear elevation view thereof.

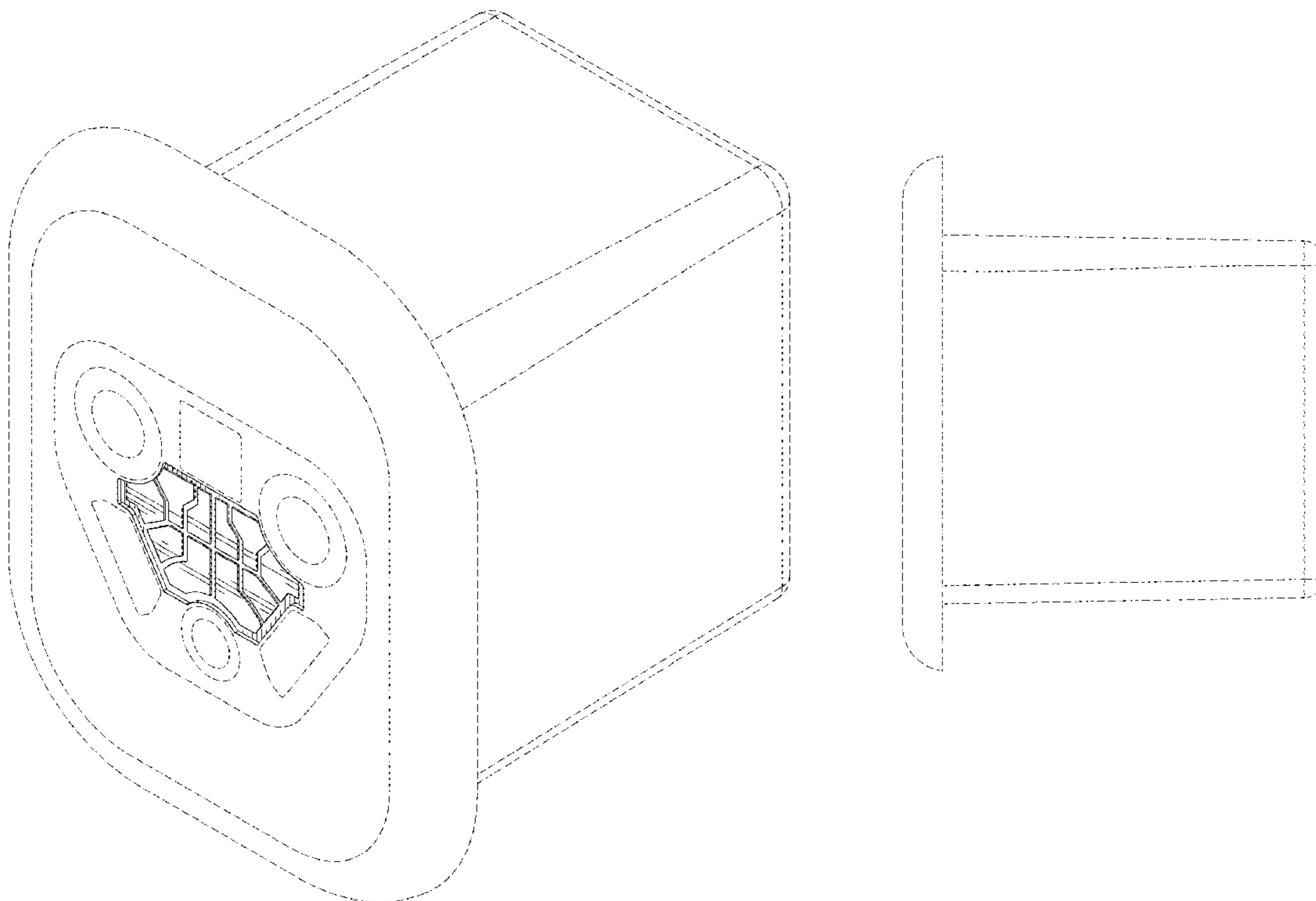
FIG. 6 is a top, back, and left side perspective view thereof.

FIG. 7 is a top, back, and right side perspective view thereof; and,

FIG. 8 is front elevation view thereof, of an enlarged scale.

The broken lines in the figures are for illustrative purposes only and form no part of the claimed design.

1 Claim, 5 Drawing Sheets



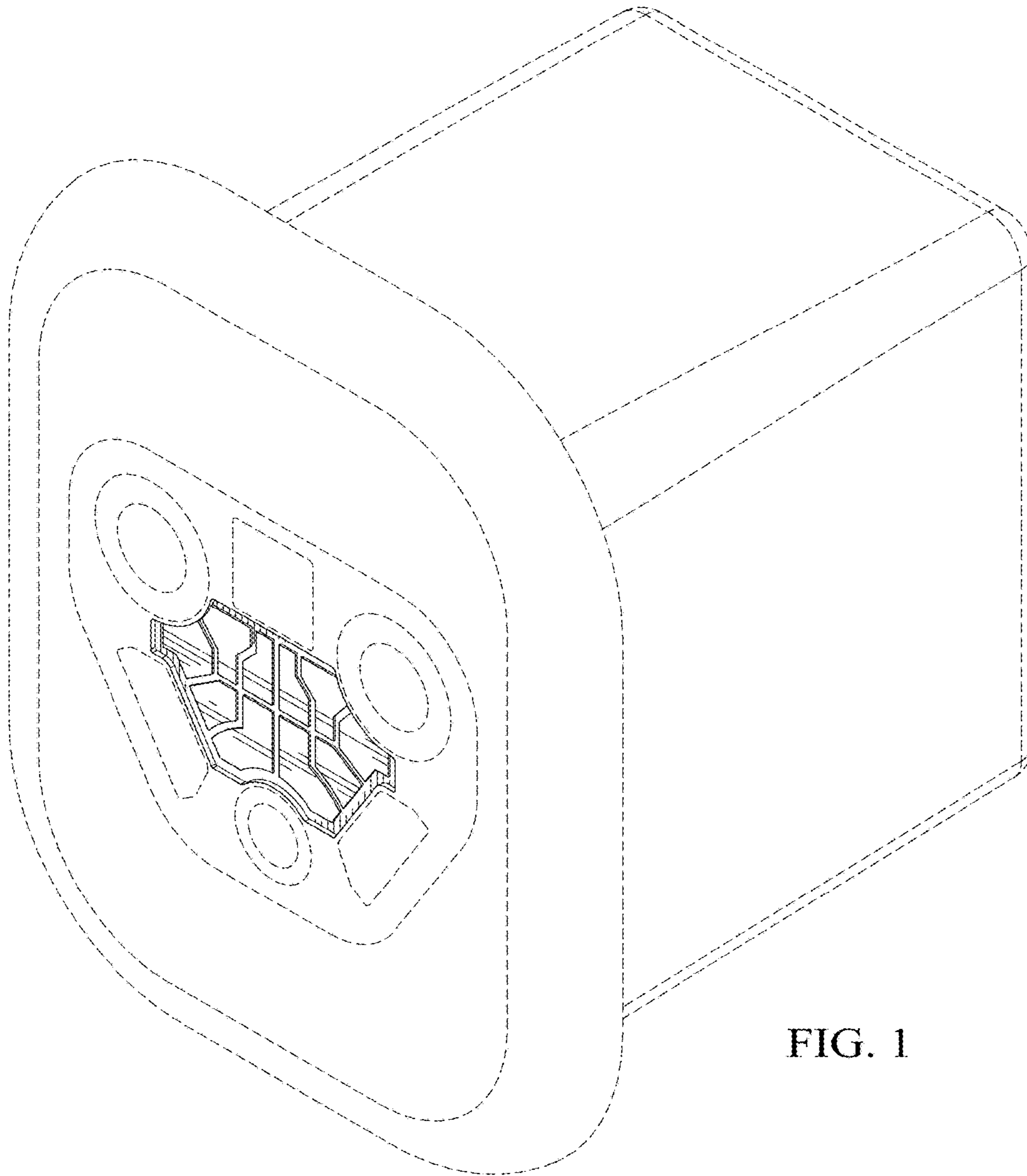


FIG. 1

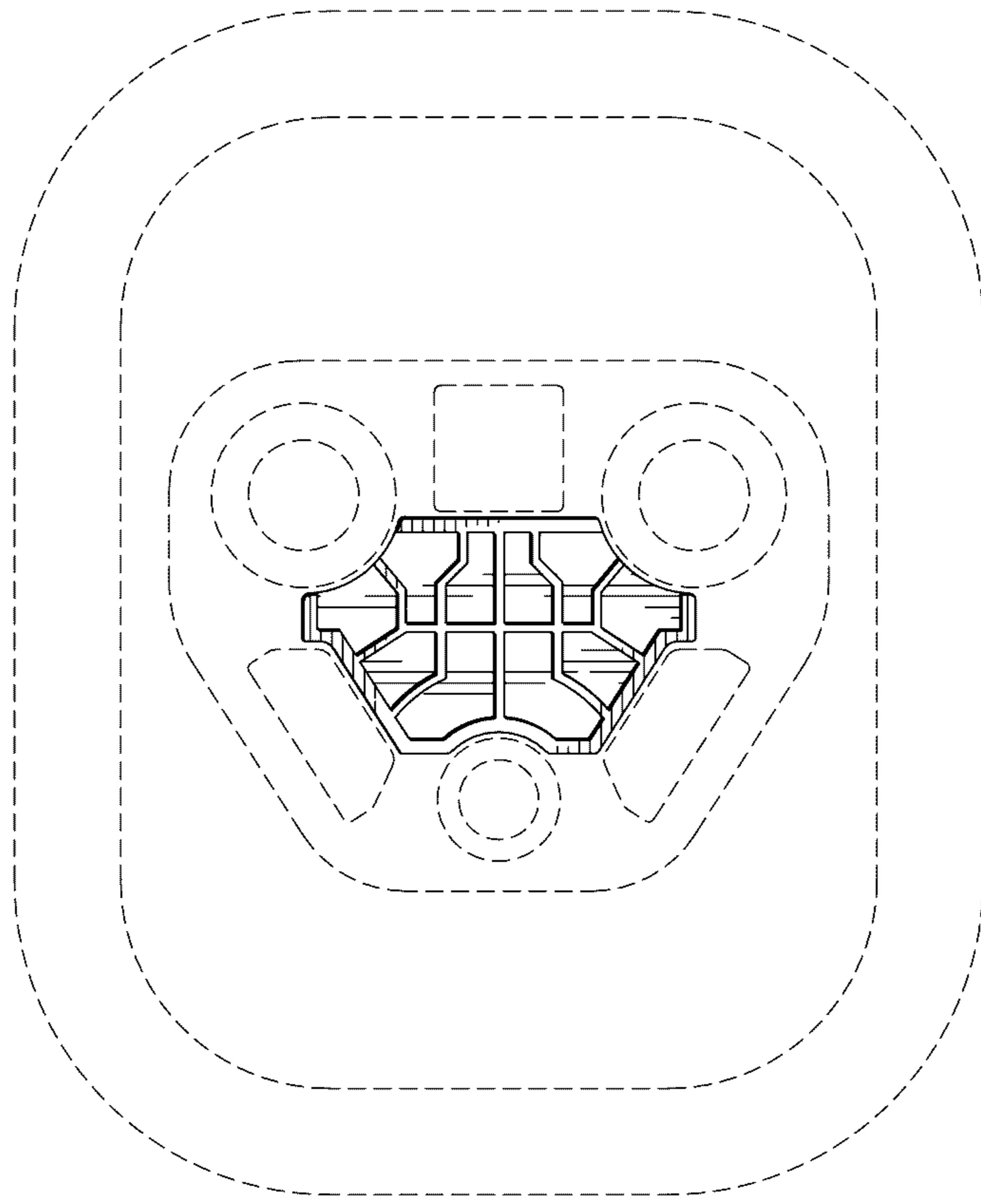


FIG. 2

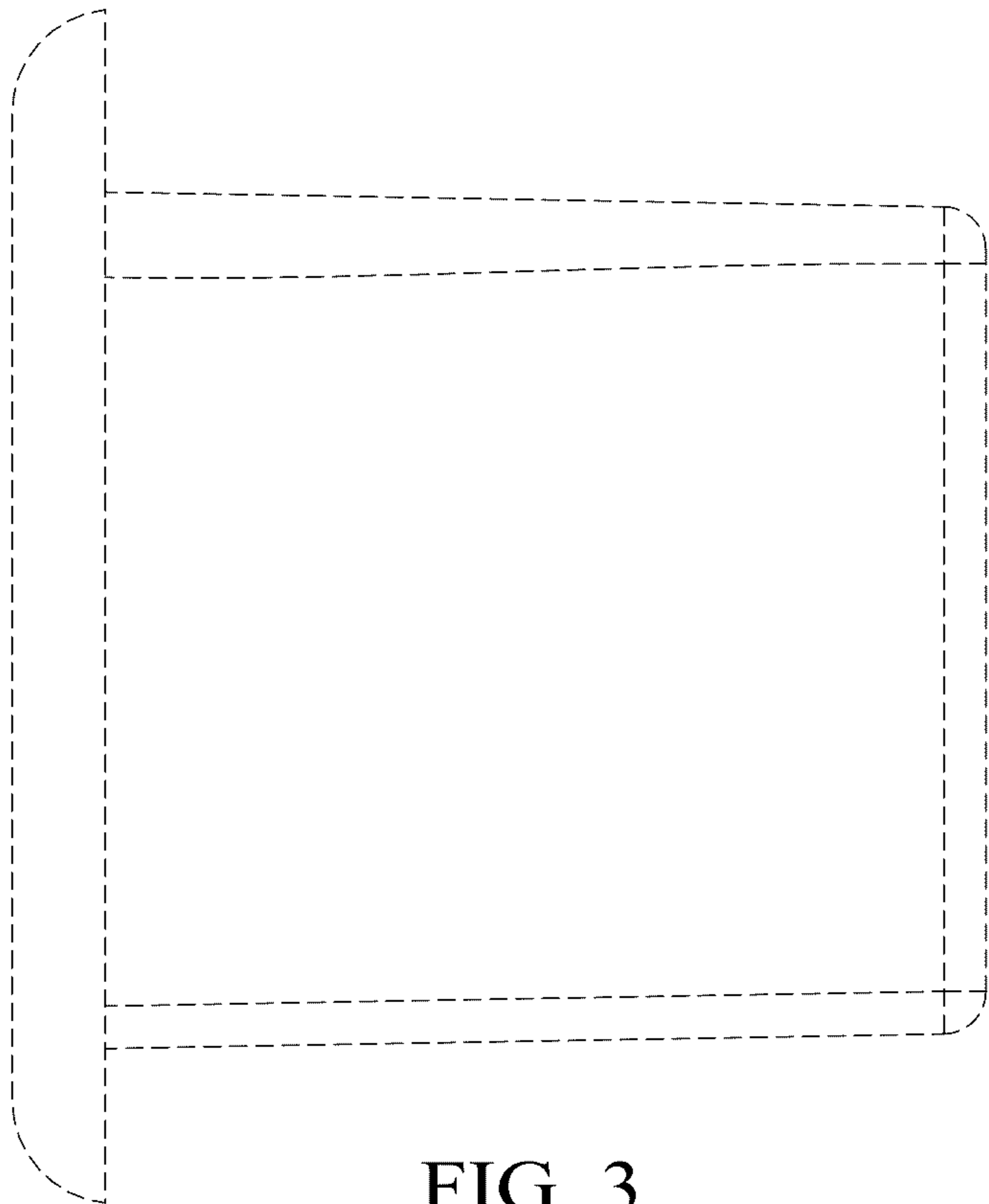


FIG. 3

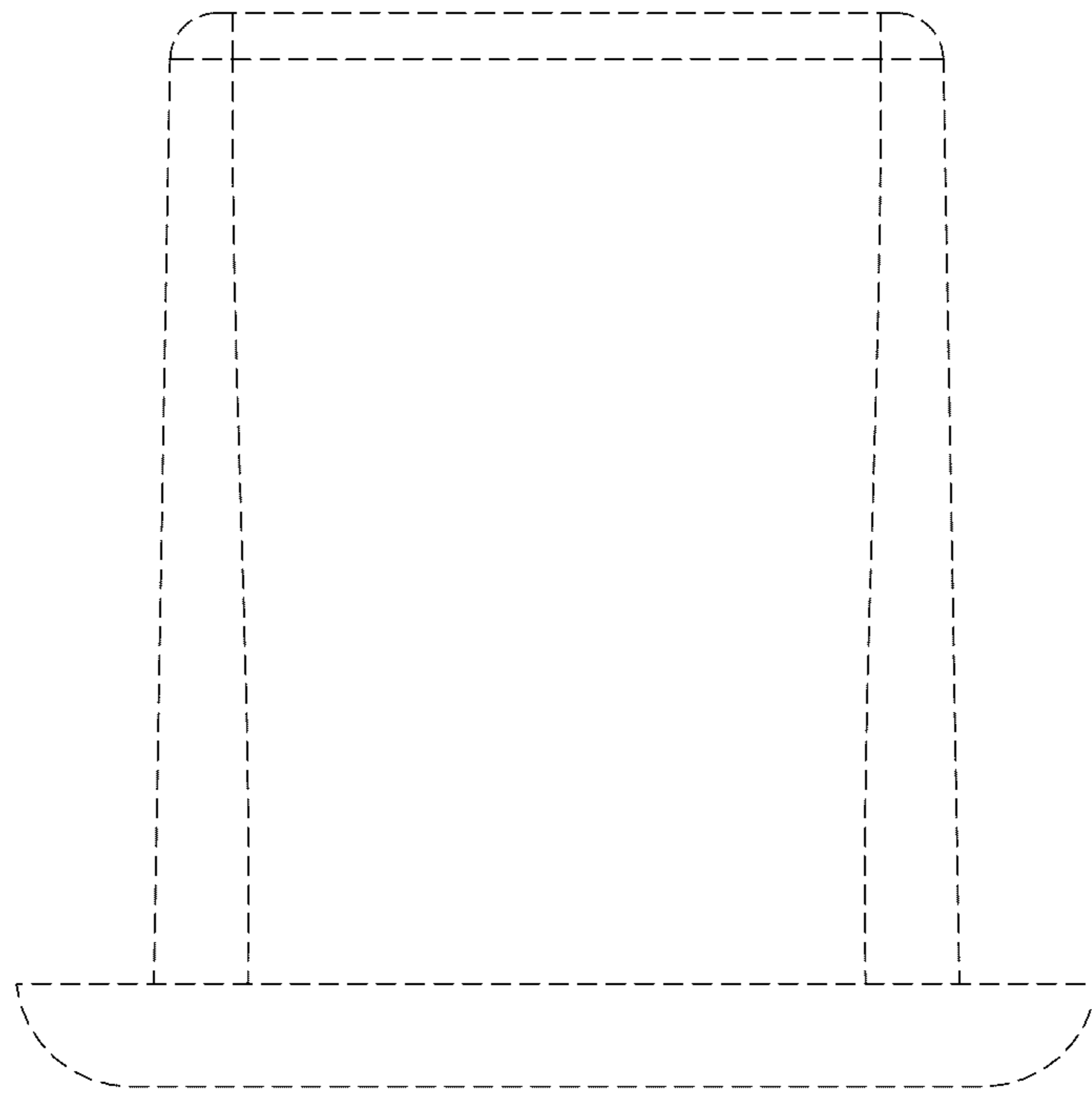


FIG. 4

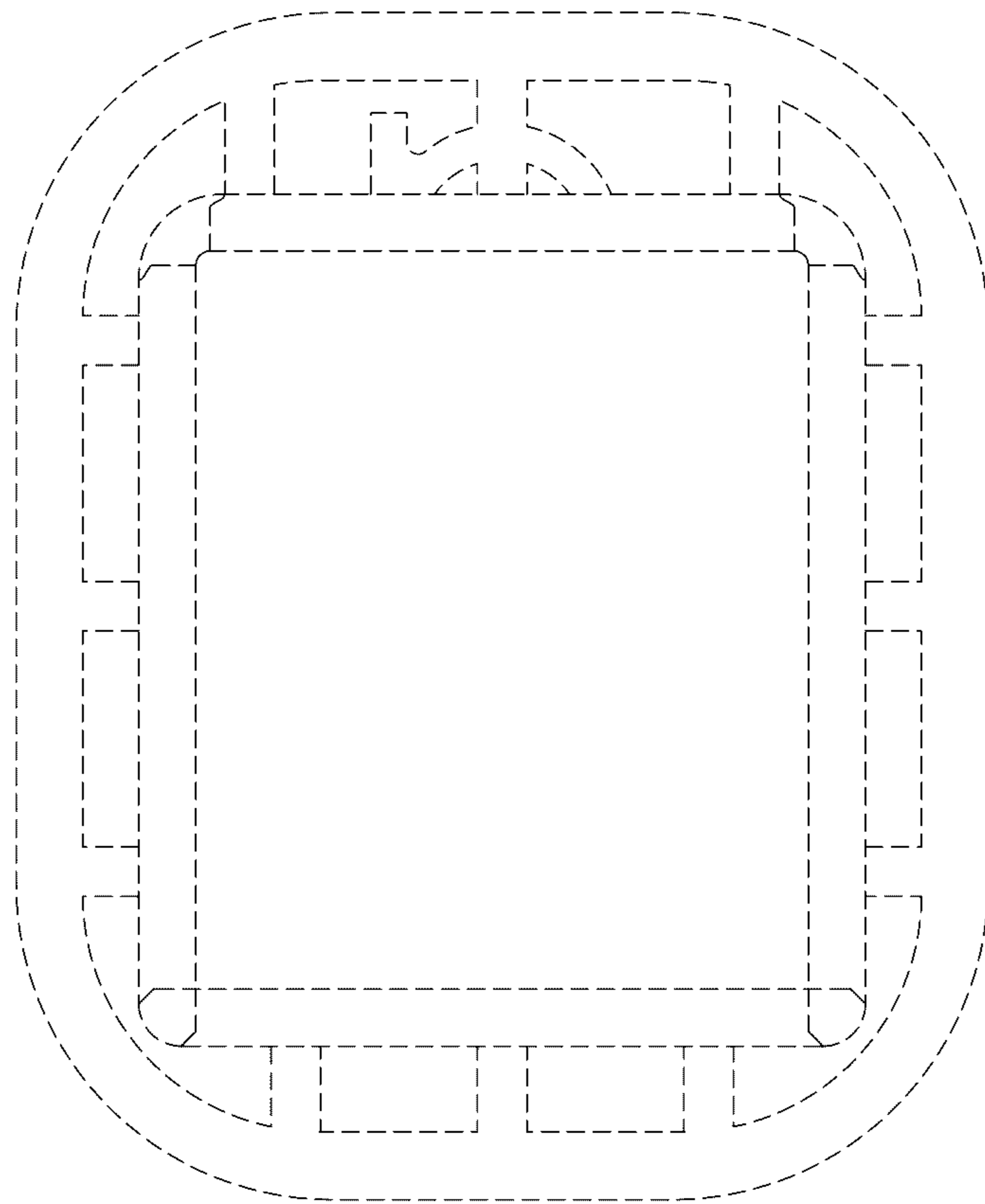


FIG. 5

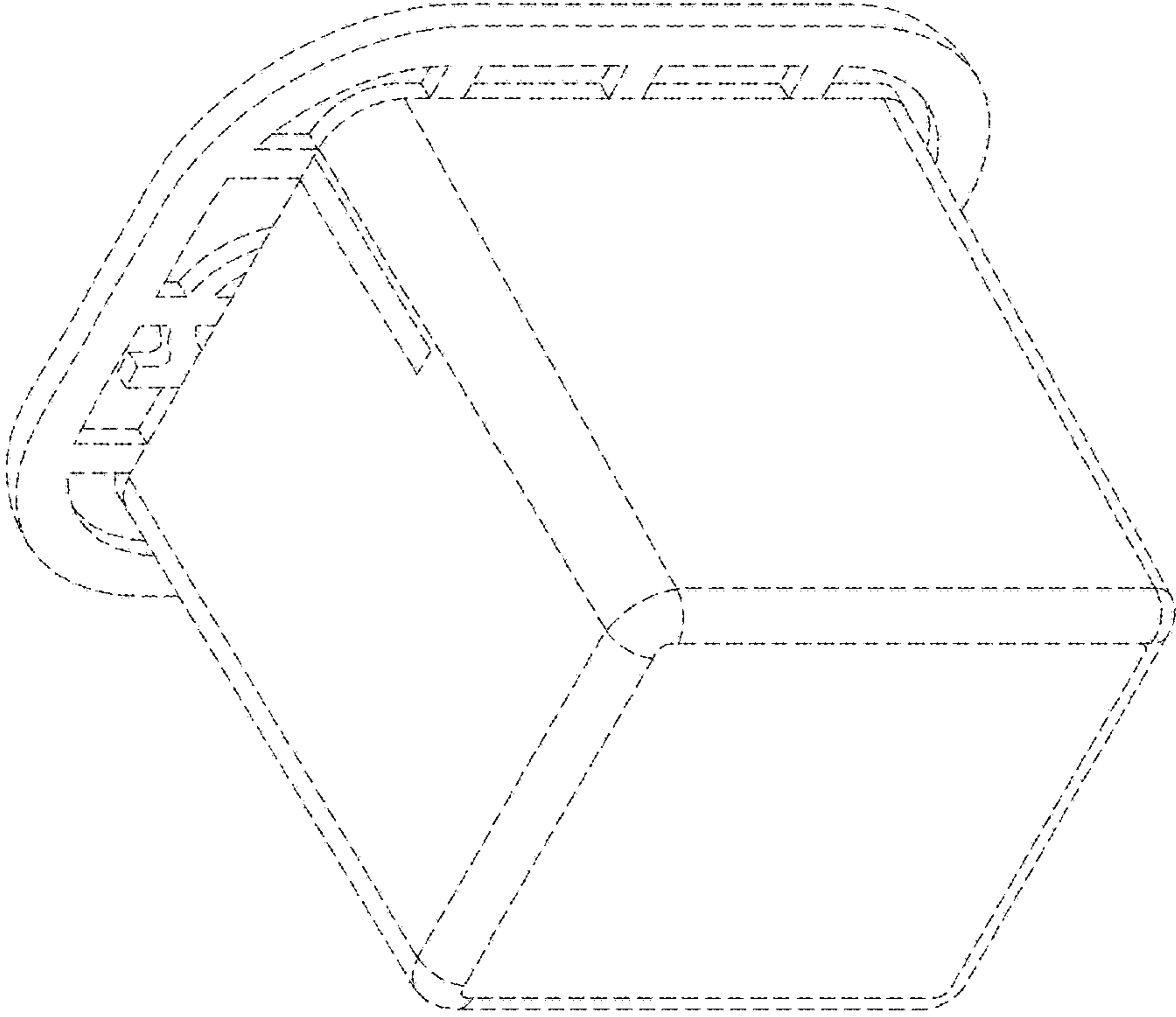


FIG. 7

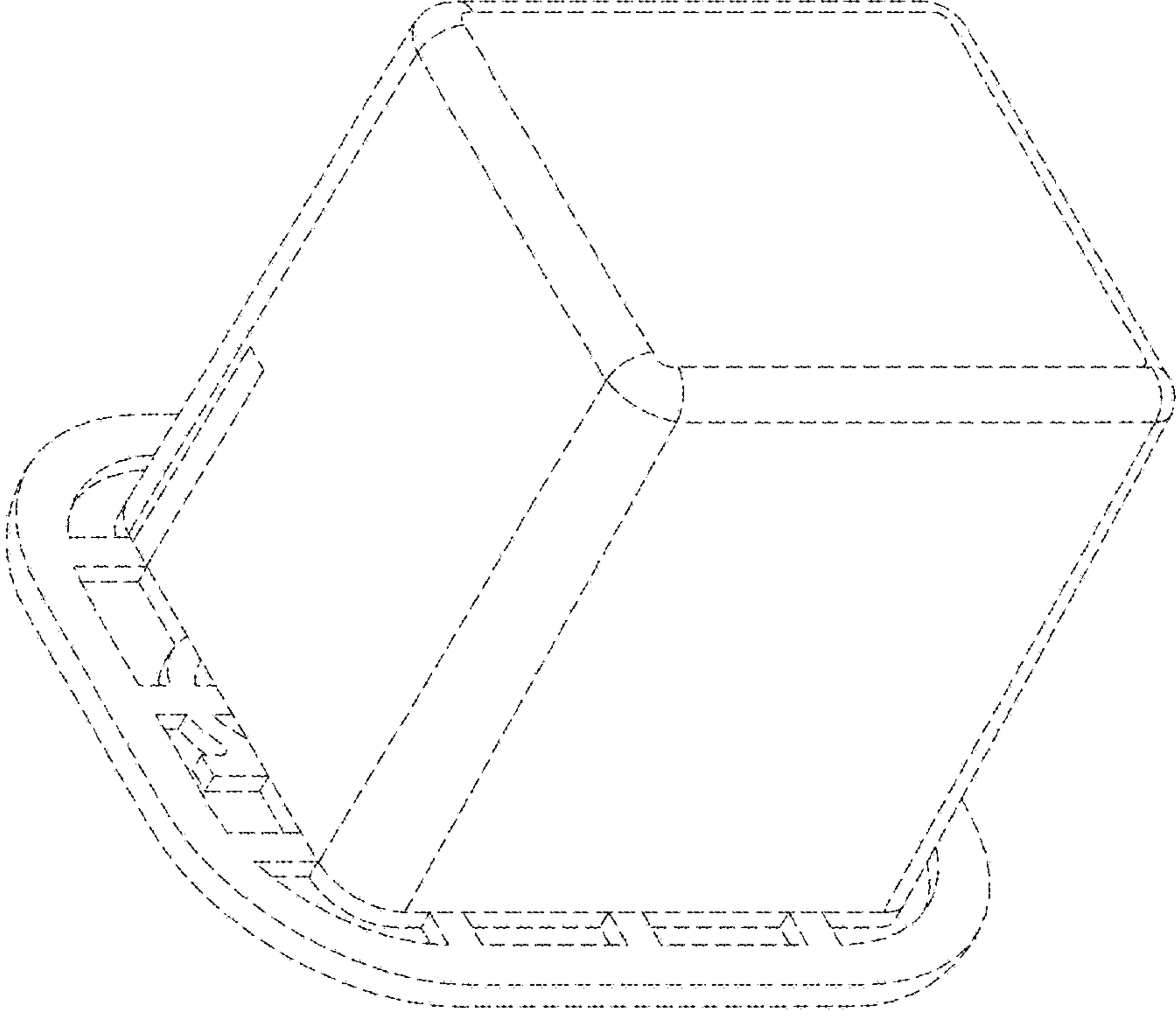


FIG. 6

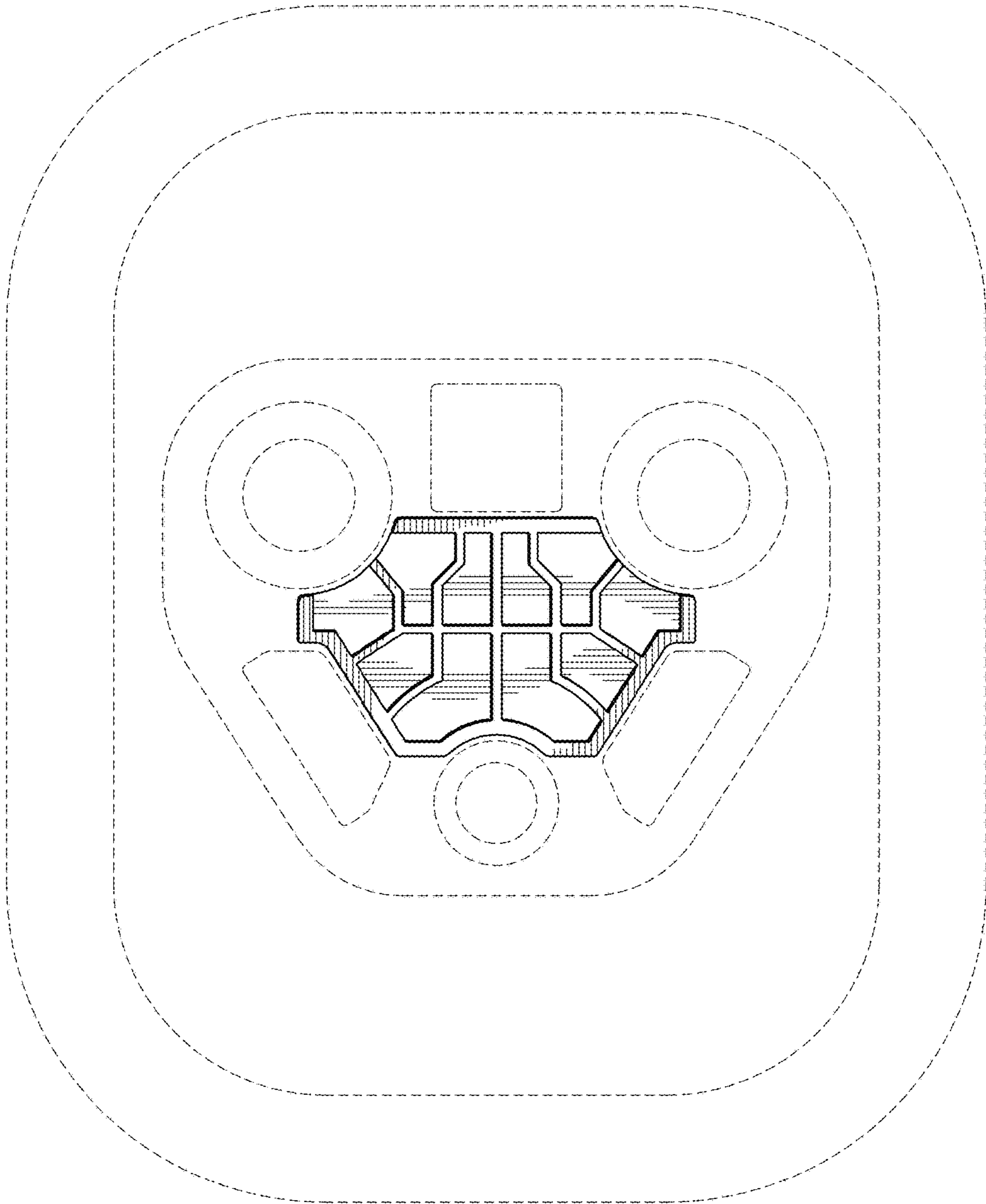


FIG. 8