



US00D773995S

(12) **United States Design Patent**
Jabaji et al.

(10) **Patent No.:** **US D773,995 S**

(45) **Date of Patent:** **** Dec. 13, 2016**

- (54) **ELECTRIC GENERATOR**
- (71) Applicant: **C.E. NIEHOFF & CO.**, Evanston, IL (US)
- (72) Inventors: **Issam Jabaji**, Glenview, IL (US);
Matthew J. Trueblood, Evanston, IL (US)
- (73) Assignee: **C.E. Niehoff & Co.**, Evanston, IL (US)
- (**) Term: **14 Years**
- (21) Appl. No.: **29/522,467**
- (22) Filed: **Mar. 31, 2015**
- (51) **LOC (10) Cl.** **13-01**
- (52) **U.S. Cl.**
USPC **D13/112**
- (58) **Field of Classification Search**
USPC D13/112, 101, 110, 113–118, 122, 123,
D13/162, 184, 199; D15/3, 5, 199;
74/606 R, 609; 310/10, 40 MM, 40 R,
310/42, 51, 52, 58, 64, 71, 80, 83, 85, 88,
310/89, 91, 109, 236, 239, 254; 318/245,
318/255; 322/16, 29; 29/596–598
CPC F02B 63/04; H02K 3/24; H02K 3/47
See application file for complete search history.

| | | | |
|--------------|---------|--------------------|---------|
| D548,696 S | 8/2007 | Pourkermani et al. | |
| D563,870 S | 3/2008 | Naghshineh | |
| D563,871 S | 3/2008 | Becker et al. | |
| D574,325 S | 8/2008 | Naghshineh | |
| D587,194 S | 2/2009 | Pourkermani et al. | |
| D603,793 S * | 11/2009 | Lindberg | D13/112 |
| D610,088 S | 2/2010 | Becker et al. | |
| D618,170 S | 6/2010 | Miller | |
| D618,615 S | 6/2010 | Basic et al. | |
| D620,432 S * | 7/2010 | Chen | D13/101 |
| D650,332 S | 12/2011 | Pourkermani et al. | |
| D665,353 S | 8/2012 | Balaban | |
| D675,649 S * | 2/2013 | Sands | D12/114 |
| D680,074 S * | 4/2013 | Miller | D13/114 |
| D680,493 S | 4/2013 | Basic et al. | |
| D700,575 S * | 3/2014 | Andersson | D13/114 |
| D705,165 S | 5/2014 | Canon | |

OTHER PUBLICATIONS

C.E. Niehoff & Co. Brushless Alternators Product Catalog, 2001.

* cited by examiner

Primary Examiner — Derrick Holland

Assistant Examiner — Jennifer O King

(74) *Attorney, Agent, or Firm* — Banner & Witcoff, Ltd.

(57) **CLAIM**

The ornamental design for an electric generator, as shown and described.

(56) **References Cited**

U.S. PATENT DOCUMENTS

| | | | |
|---------------|---------|-----------------|---------------------|
| 2,460,502 A * | 2/1949 | Heintz | H02K 5/00 310/91 |
| D160,413 S * | 10/1950 | Monroe | D13/112 |
| D173,758 S * | 12/1954 | Kerr | D13/116 |
| D245,499 S * | 8/1977 | Andreas | D13/112 |
| D246,901 S * | 1/1978 | Duty, Jr. | D15/5 |
| D257,147 S * | 9/1980 | Mescheder | D15/5 |
| D398,285 S | 9/1998 | Becker et al. | |
| D398,286 S | 9/1998 | Becker et al. | |
| D425,020 S | 5/2000 | Becker et al. | |
| D467,541 S * | 12/2002 | Hemphill | D13/114 |

DESCRIPTION

FIG. 1 is a front view of an electric generator according to the present invention.

FIG. 2 is a rear view thereof.

FIG. 3 is a first side view thereof.

FIG. 4 is a second side view thereof.

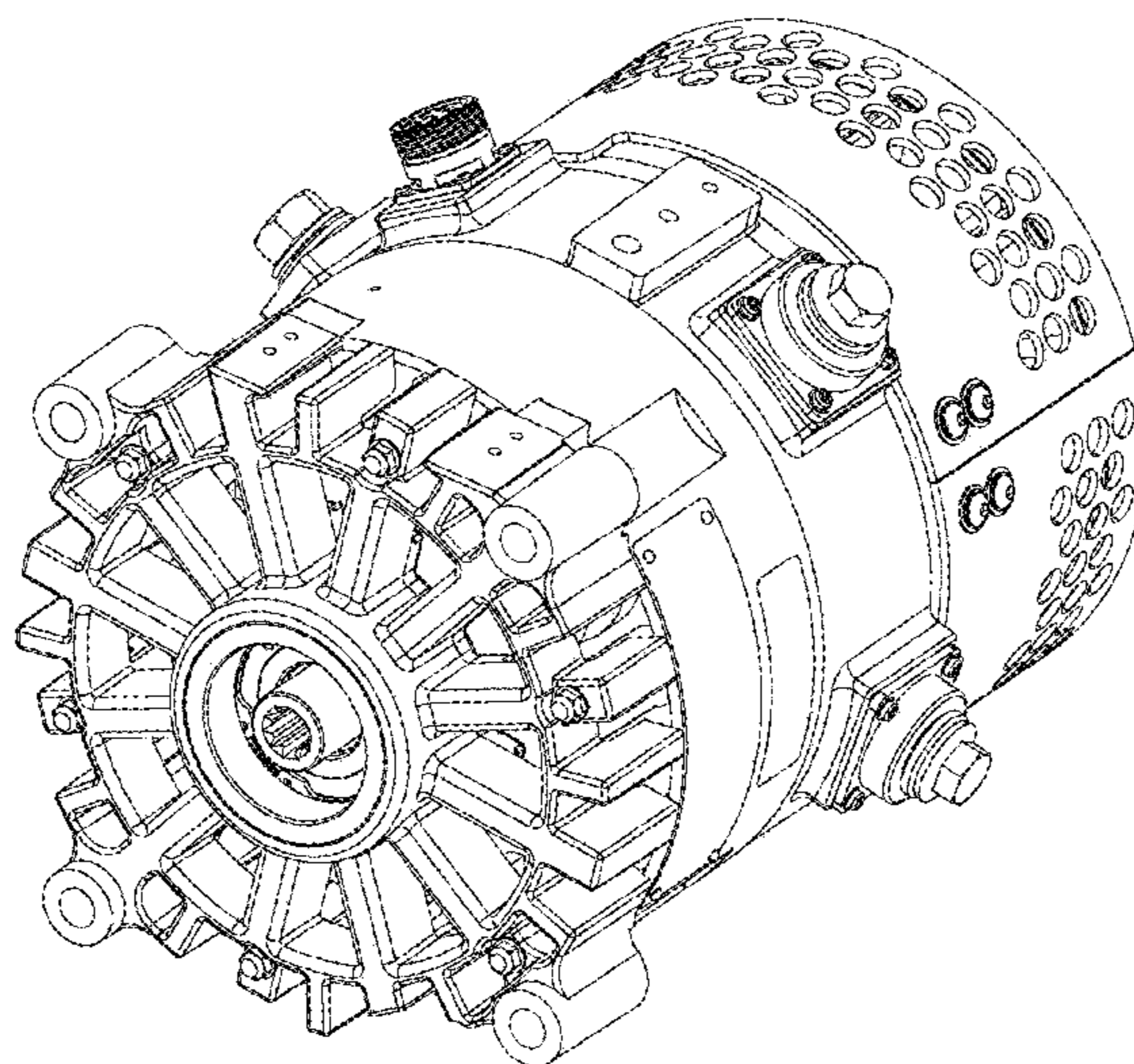
FIG. 5 is a top view thereof.

FIG. 6 is a bottom view thereof.

FIG. 7 is a first isometric view thereof; and,

FIG. 8 is a second isometric view thereof.

1 Claim, 8 Drawing Sheets



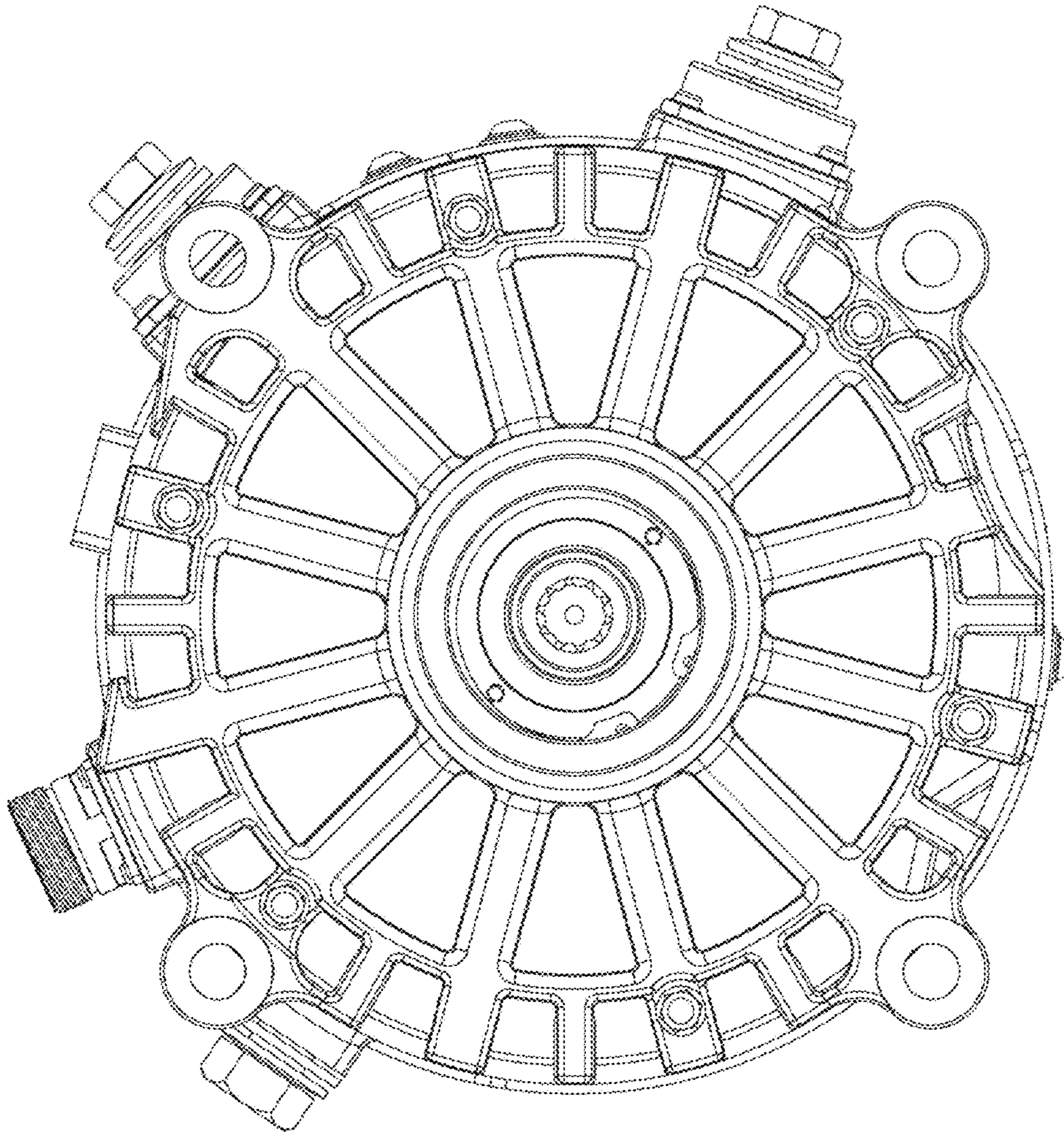


FIG. 1

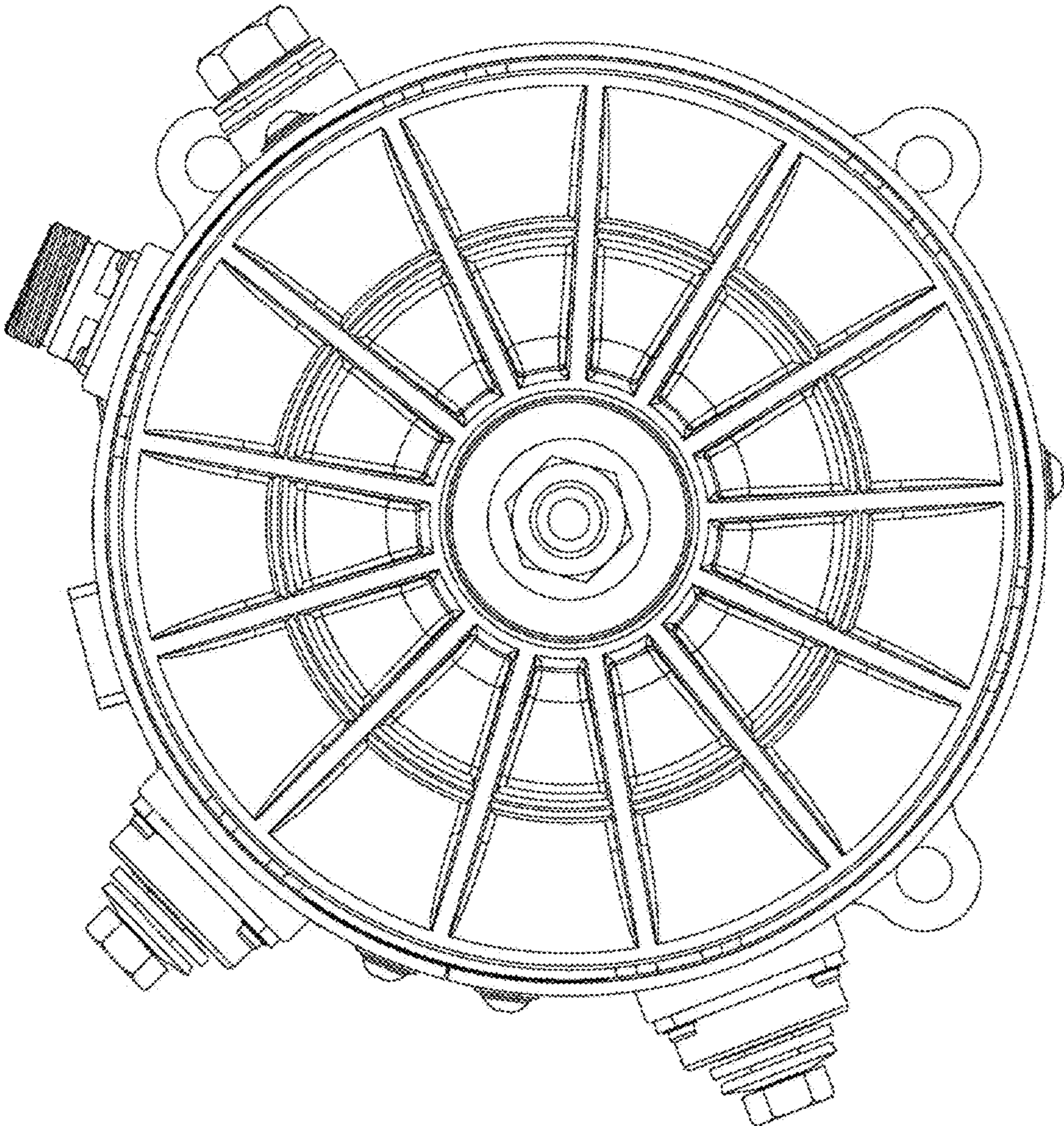


FIG. 2

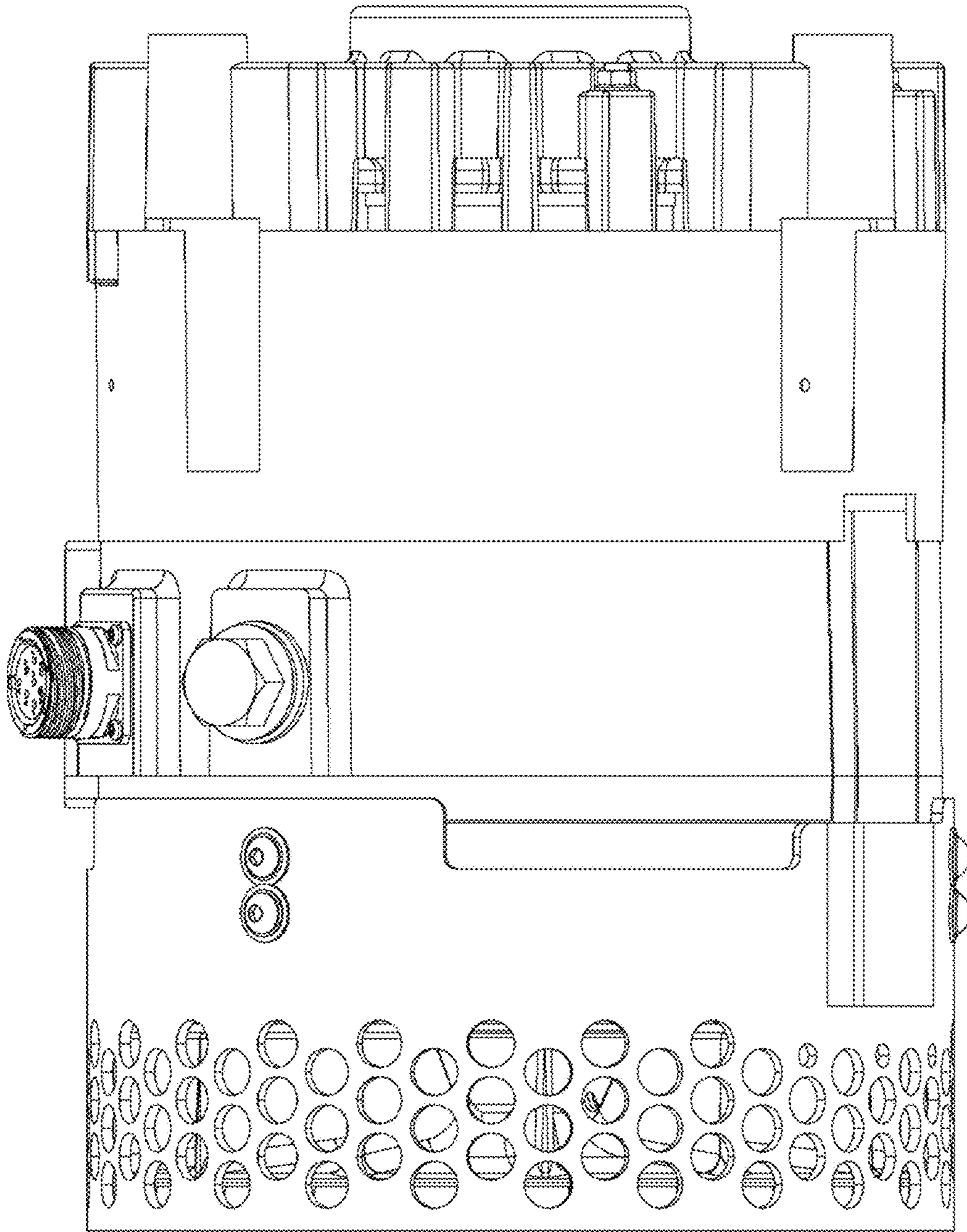


FIG. 3

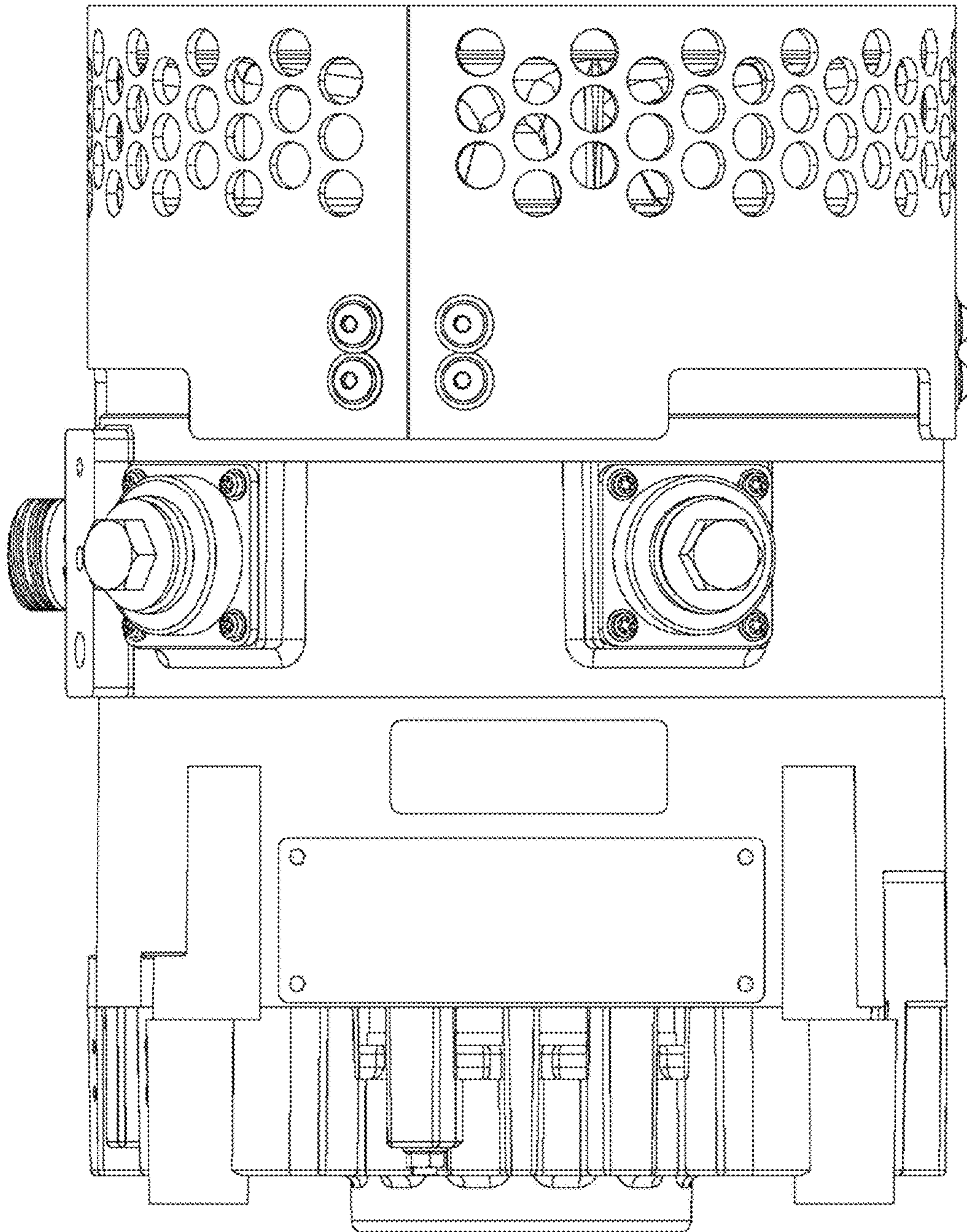


FIG. 4

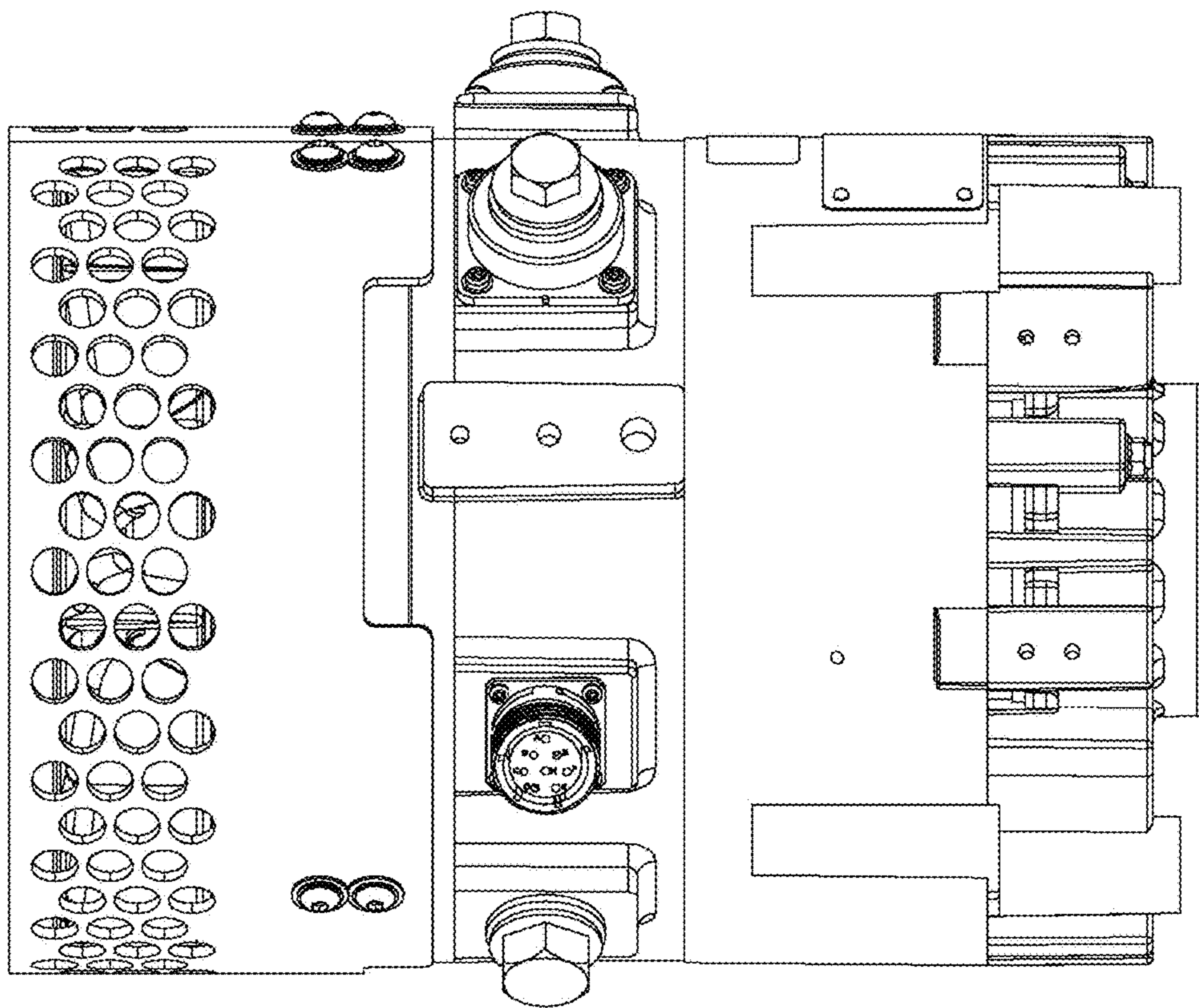


FIG. 5

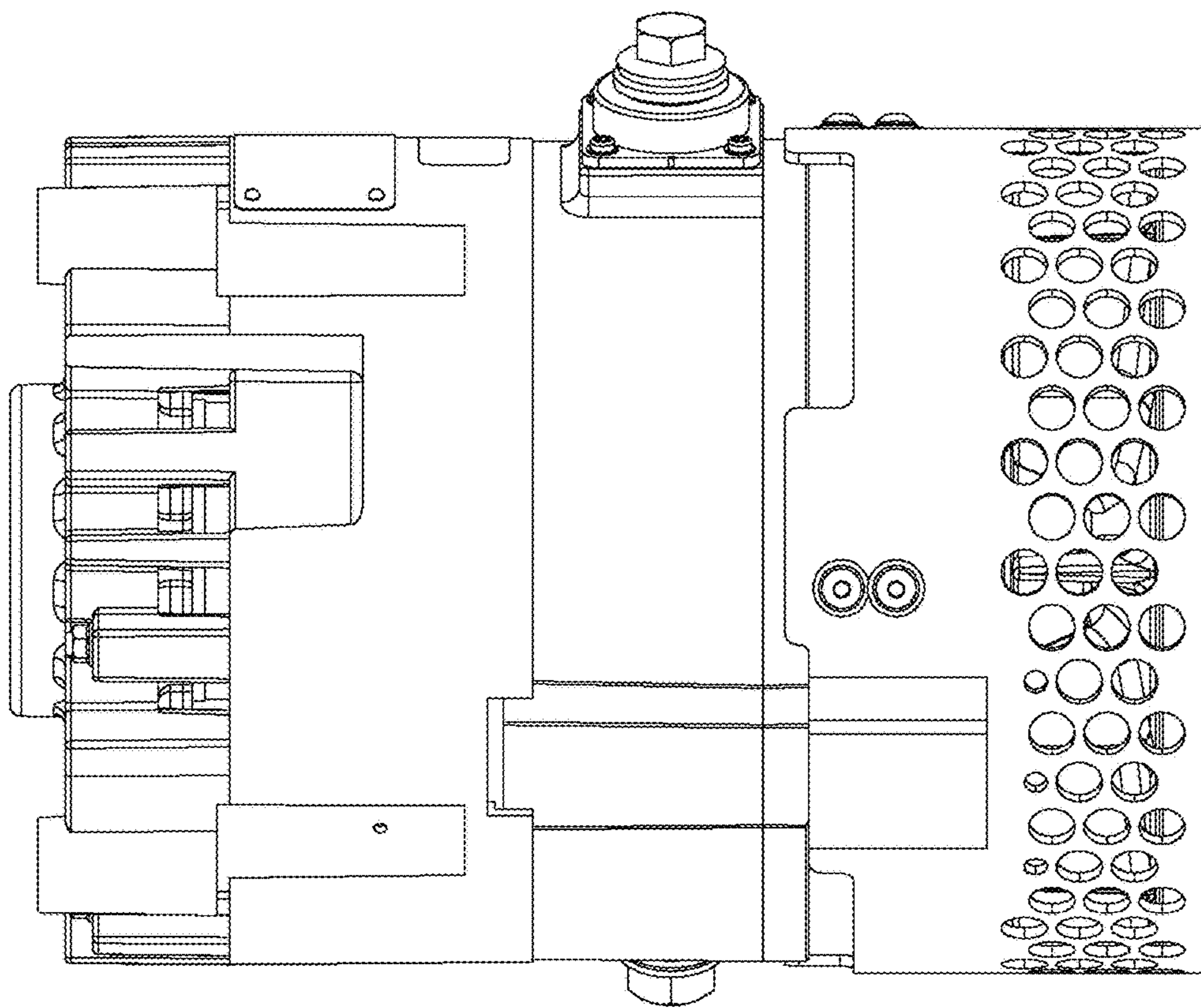


FIG. 6

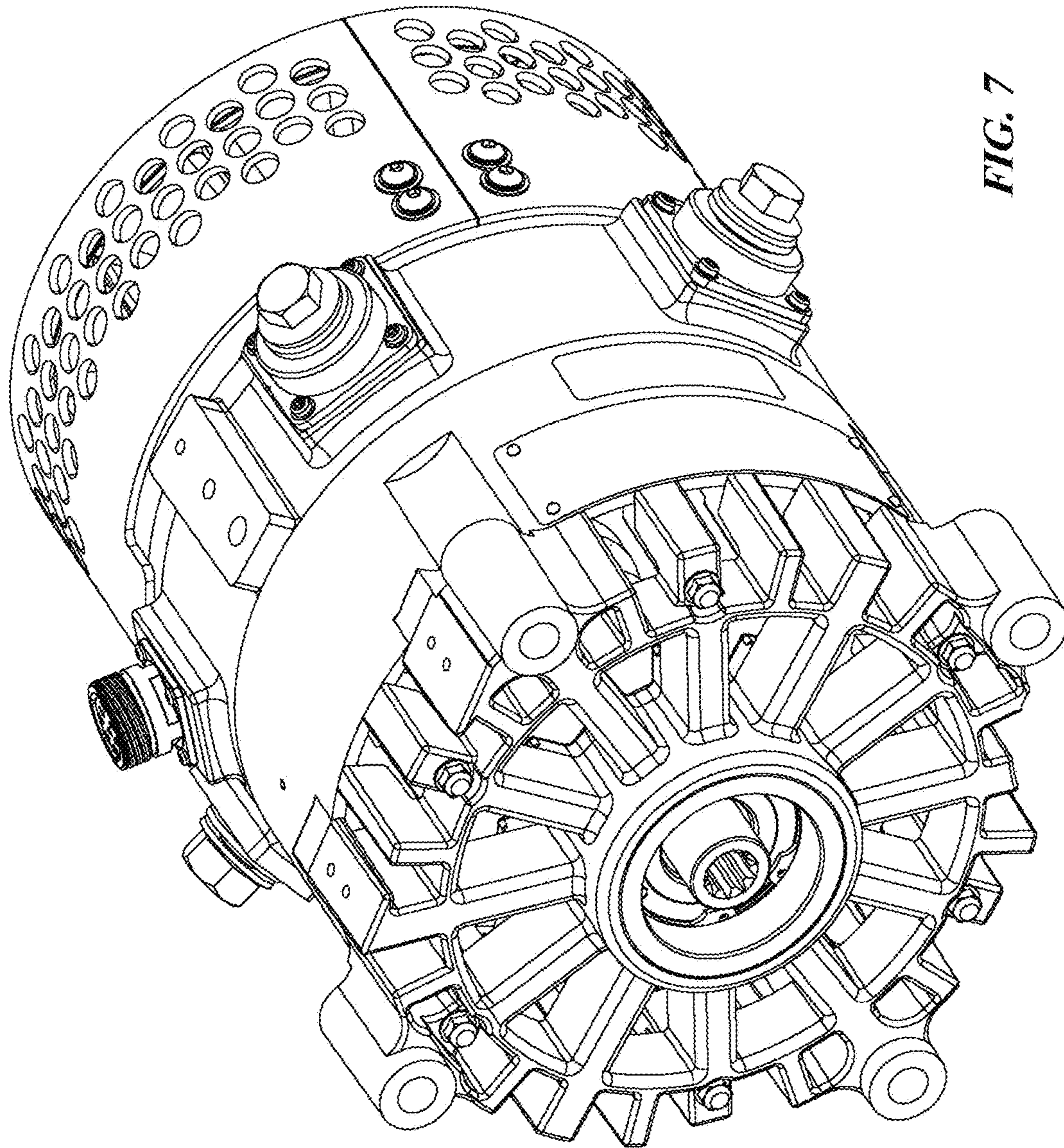


FIG. 7

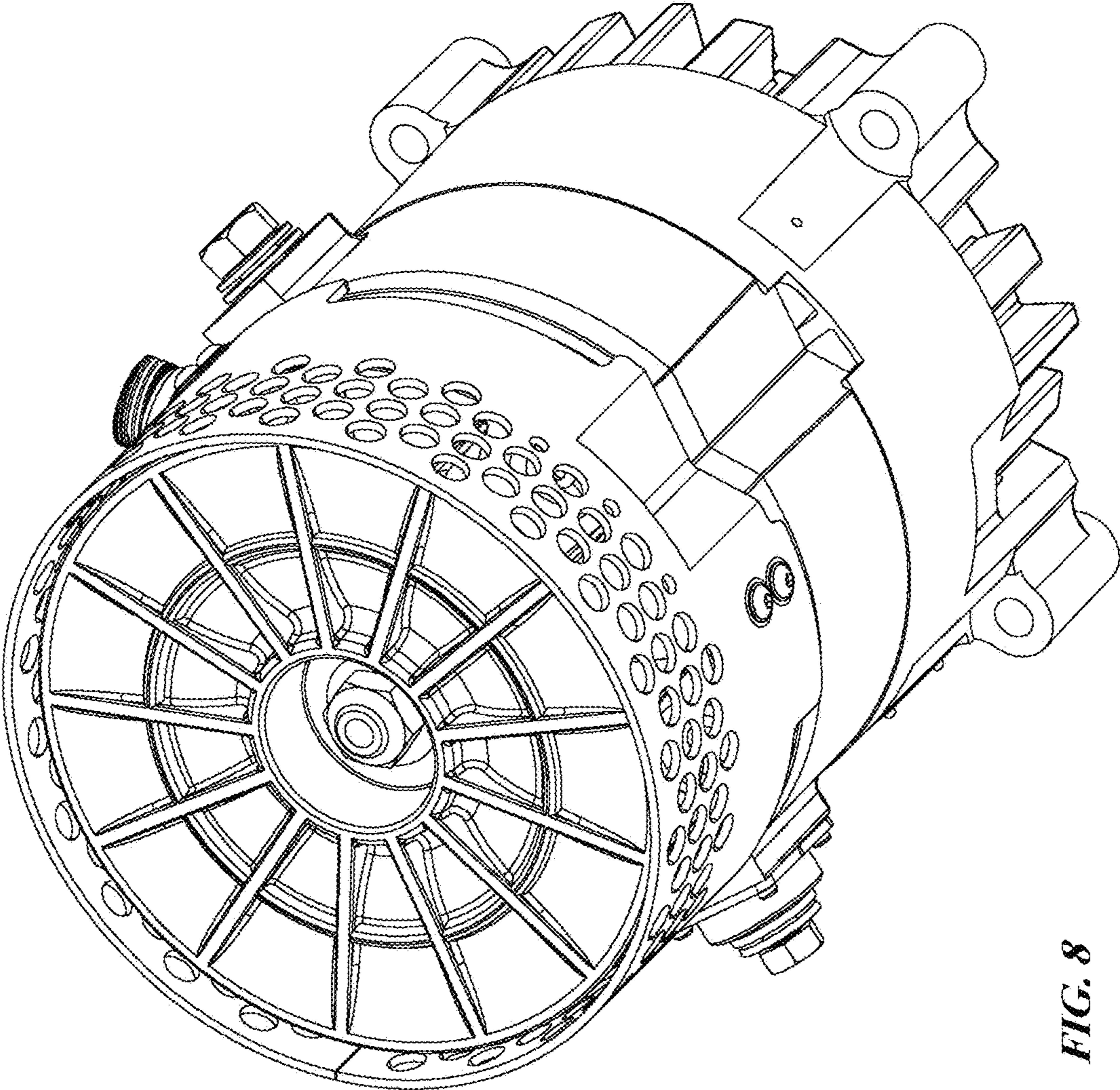


FIG. 8