



US00D773994S

(12) **United States Design Patent** (10) **Patent No.:** **US D773,994 S**  
**Cedar et al.** (45) **Date of Patent:** **\*\* Dec. 13, 2016**

(54) **PACKABLE ELECTRIC GENERATOR**

(71) Applicant: **BioLite LLC**, Brooklyn, NY (US)

(72) Inventors: **Jonathan N. Cedar**, Brooklyn, NY (US); **Alexander H. Drummond**, Austin, TX (US); **Nisan H. Lerea**, Bronx, NY (US); **Anton Olof Ljunggren**, New York, NY (US); **Whitney Goodwin**, Bellingham, WA (US); **Monte MacDiarmid**, Brooklyn, NY (US); **Tracy Van Dyk**, New York, NY (US)

(73) Assignee: **BioLite, LLC**, Brooklyn, NY (US)

(\*\*) Term: **14 Years**

(21) Appl. No.: **29/479,895**

(22) Filed: **Jan. 21, 2014**

(51) **LOC (10) Cl.** ..... **13-01**

(52) **U.S. Cl.**  
USPC ..... **D13/112**

(58) **Field of Classification Search**  
USPC ..... D13/107, 112, 114, 115, 116, 122, 145, D13/158, 177, 199; 126/9 R, 301, 307 R, 126/59; 320/101, 102, 103, 106, 107, 320/108, 110, 111, 112, 113, 114, 115; D7/332, 337  
CPC ..... Y02B 40/166; H02J 7/0027; H02J 7/022; F01N 5/025  
See application file for complete search history.

(56) **References Cited**

**U.S. PATENT DOCUMENTS**

48,302 A \* 6/1865 Murdock ..... 126/345  
D136,456 S \* 10/1943 Popp ..... D13/158  
2,519,241 A 8/1950 Findley  
D186,982 S \* 1/1960 Mozneck et al. .... D13/158  
D190,153 S \* 4/1961 Bullen ..... D7/407  
3,279,452 A 10/1966 Hottenroth et al.  
D221,081 S \* 7/1971 Kahn ..... D13/110

4,164,930 A \* 8/1979 Johnston ..... 126/38  
D271,284 S \* 11/1983 Bainton ..... D9/438  
4,545,360 A 10/1985 Smith et al.  
4,616,627 A 10/1986 Haygood  
4,773,847 A 9/1988 Shukla et al.  
5,024,208 A 6/1991 Hottenroth et al.  
5,168,860 A 12/1992 Kibourian

(Continued)

**FOREIGN PATENT DOCUMENTS**

WO 2006103613 A2 10/2006

**OTHER PUBLICATIONS**

Lertsatitthanakorn, "Study on the Electrical Performance of Combining Biomass-Fried Cookstove Thermoelectric (BITE) Generator", "Journal of Research in Engineering and Technology", Apr. 1, 2004, pp. 110-116, vol. 1, No. 2, Publisher: Kasetsart University, Published in: Thailand.

(Continued)

*Primary Examiner* — Derrick Holland  
*Assistant Examiner* — Jennifer O King  
(74) *Attorney, Agent, or Firm* — Loginov & Associates, PLLC; William A. Loginov

(57) **CLAIM**

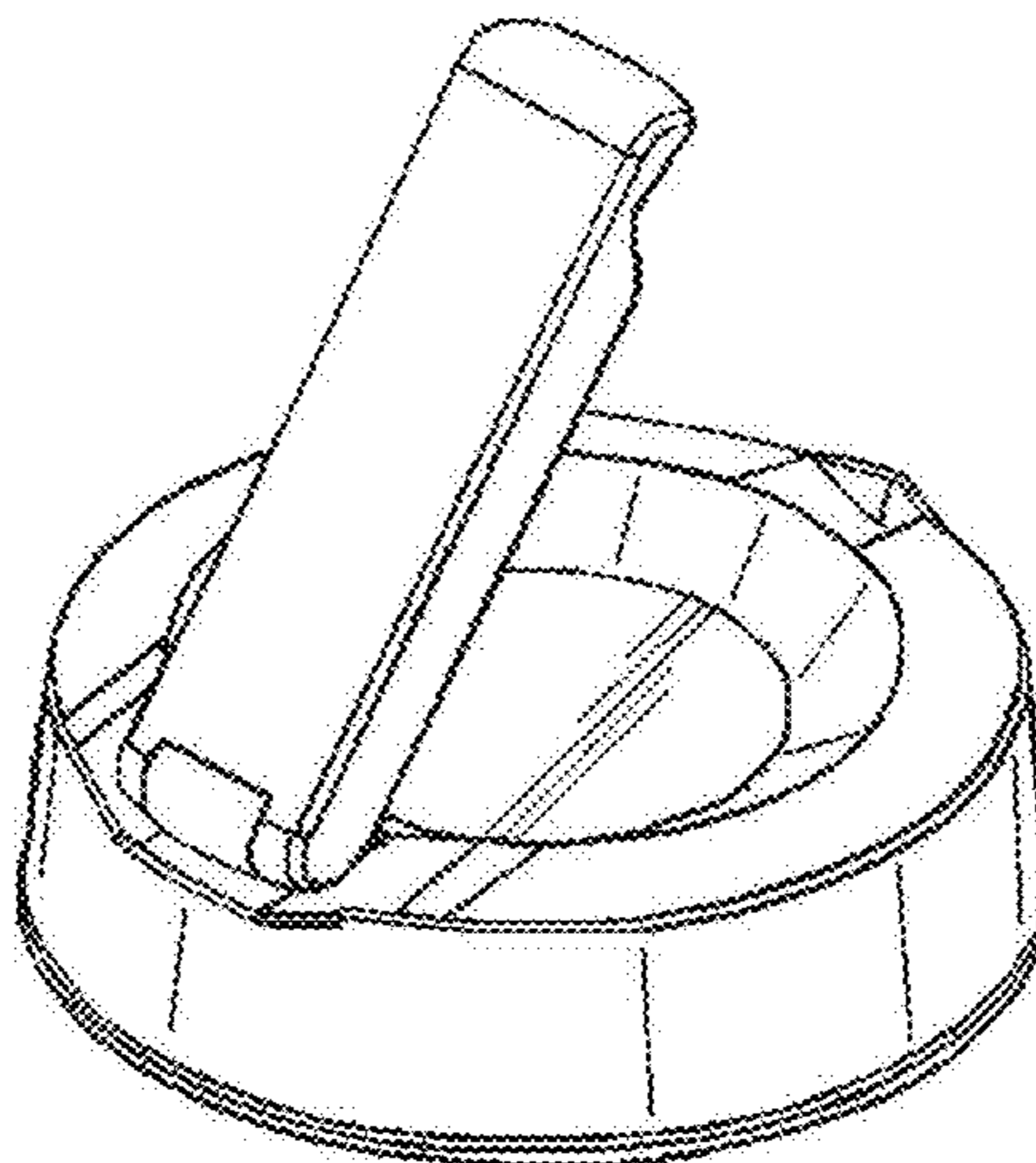
The ornamental design for a packable electric generator, as shown and described.

**DESCRIPTION**

FIG. 1 is a perspective view of a packable electric generator; FIG. 2 is a front view thereof; FIG. 3 is a rear view thereof; FIG. 4 is a right side view thereof; FIG. 5 is a left side view thereof; FIG. 6 is a top view thereof; and, FIG. 7 is a bottom view thereof.

The broken lines shown represent unclaimed subject matter and form no part of the claimed design.

**1 Claim, 4 Drawing Sheets**



(56)

References Cited

U.S. PATENT DOCUMENTS

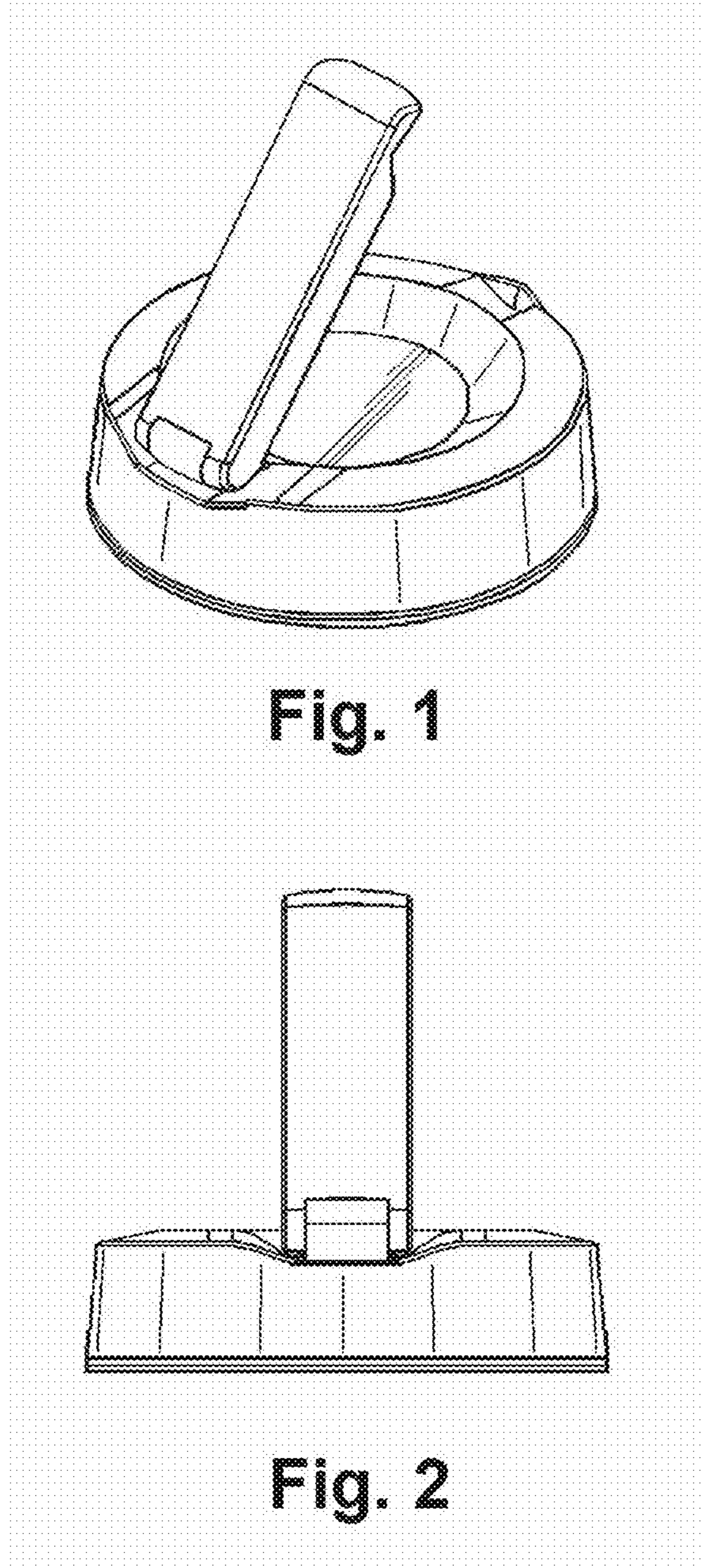
5,516,381 A 5/1996 Kawai et al.  
 D373,064 S \* 8/1996 Decursu et al. .... D8/309  
 D391,926 S \* 3/1998 Brunner et al. .... D14/340  
 6,095,767 A 8/2000 Caughey  
 6,588,419 B1 7/2003 Buezis et al.  
 6,611,117 B1 8/2003 Hardt  
 D483,014 S \* 12/2003 Hsiao ..... D13/107  
 D486,931 S \* 2/2004 Lee ..... D26/38  
 D518,483 S \* 4/2006 Yu et al. .... D14/436  
 7,168,363 B1 1/2007 Brown  
 D556,212 S \* 11/2007 Hussaini et al. .... D14/496  
 D559,248 S \* 1/2008 Heshes et al. .... D14/480.5  
 D594,404 S \* 6/2009 Kuo et al. .... D13/107  
 D638,001 S \* 5/2011 Nakhjiri et al. .... D14/242  
 D647,532 S \* 10/2011 Busch ..... D14/480.3  
 D650,326 S \* 12/2011 Yen ..... D13/107  
 D651,561 S \* 1/2012 Petrie et al. .... D13/107  
 D675,217 S \* 1/2013 Lee ..... D14/480.6  
 D677,621 S \* 3/2013 Beroukas et al. .... D13/107  
 D688,706 S \* 8/2013 Lee et al. .... D14/496

8,616,193 B2 \* 12/2013 Padgett ..... 126/39 E  
 D701,721 S \* 4/2014 Jan ..... D7/332  
 D720,218 S \* 12/2014 Hutson et al. .... D9/443  
 D720,288 S \* 12/2014 Ko ..... D13/108  
 2005/0037303 A1 2/2005 Bachinski et al.  
 2007/0221205 A1 9/2007 Landon  
 2009/0134838 A1 \* 5/2009 Raghuprasad ..... 320/108  
 2014/0203767 A1 \* 7/2014 Wang ..... 320/108  
 2014/0285133 A1 \* 9/2014 Toledo et al. .... 320/101  
 2015/0069965 A1 \* 3/2015 Verschueren ..... 320/108

OTHER PUBLICATIONS

Juanico, et al., "Comparative Analysis of Photovoltaic and Thermoelectric Panels for Powering Isolated Homes", "Journal of Renewable and Sustainable Energy", No. 1-6, Publisher: American Institute of Physics, Published in: Argentina.  
 Mastbergen, "Development and Optimization of a Stove-Powered Thermoelectric Generator", Publisher: Colorado State University, Published in: US.

\* cited by examiner



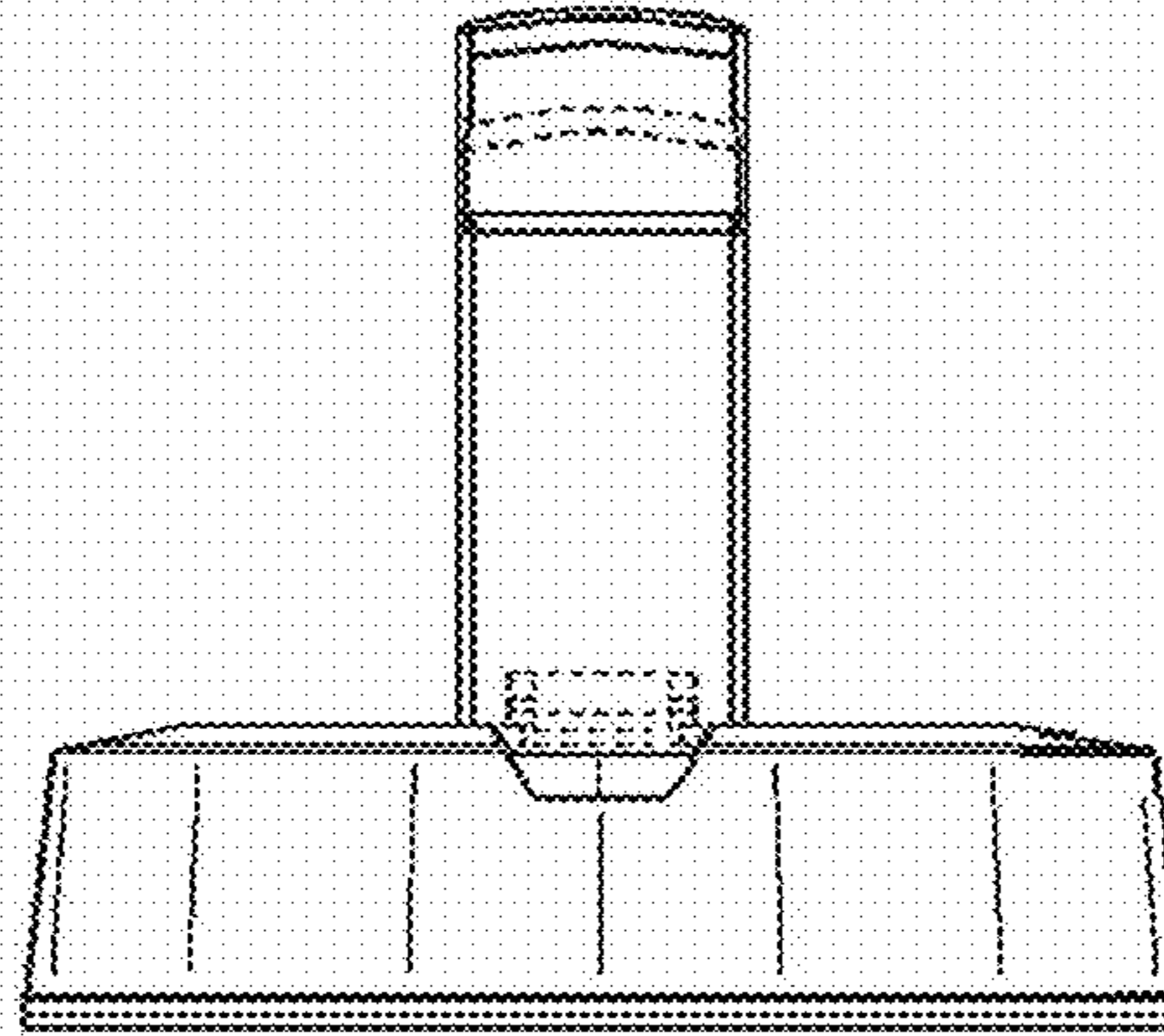


Fig. 3

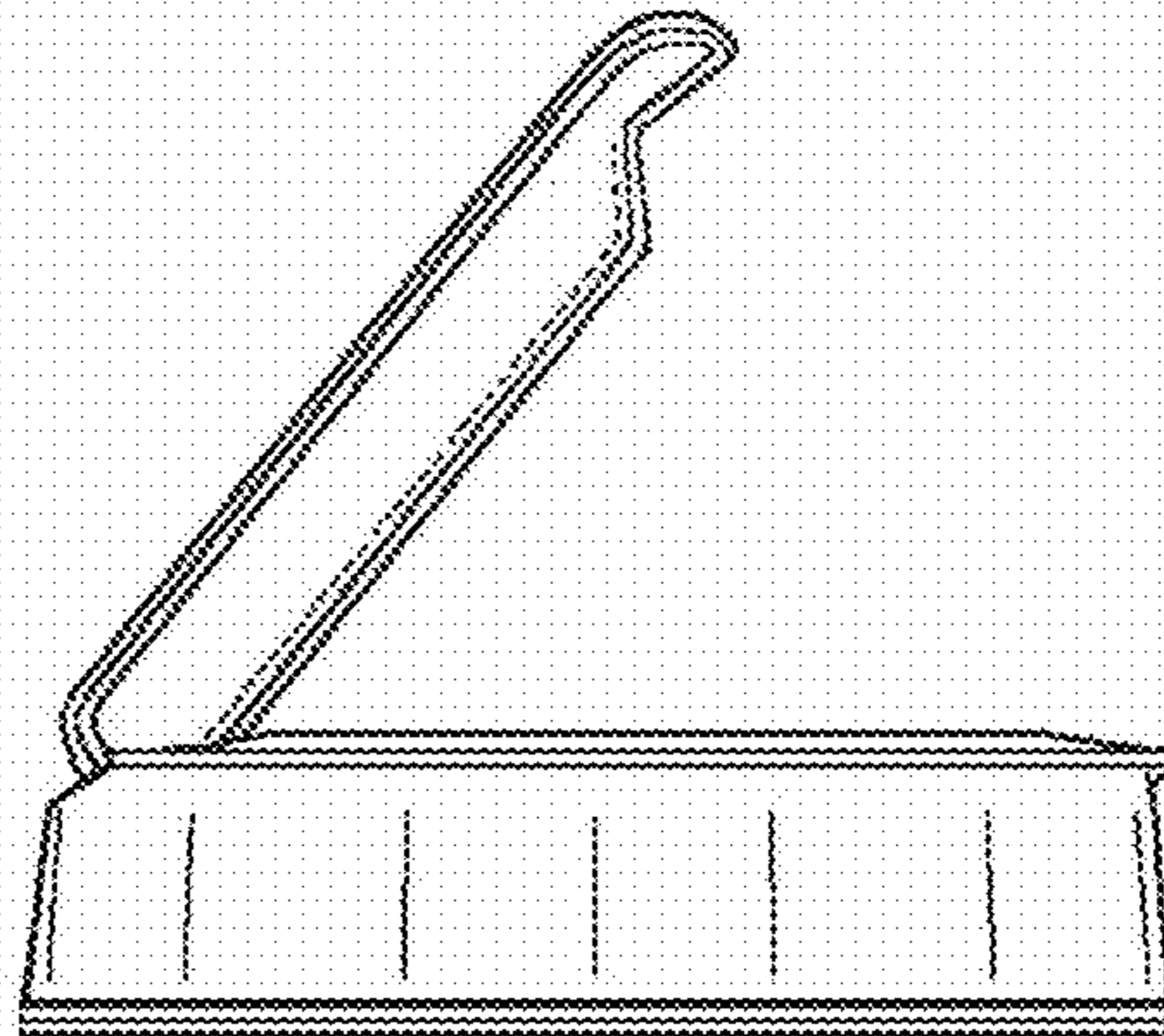


Fig. 4

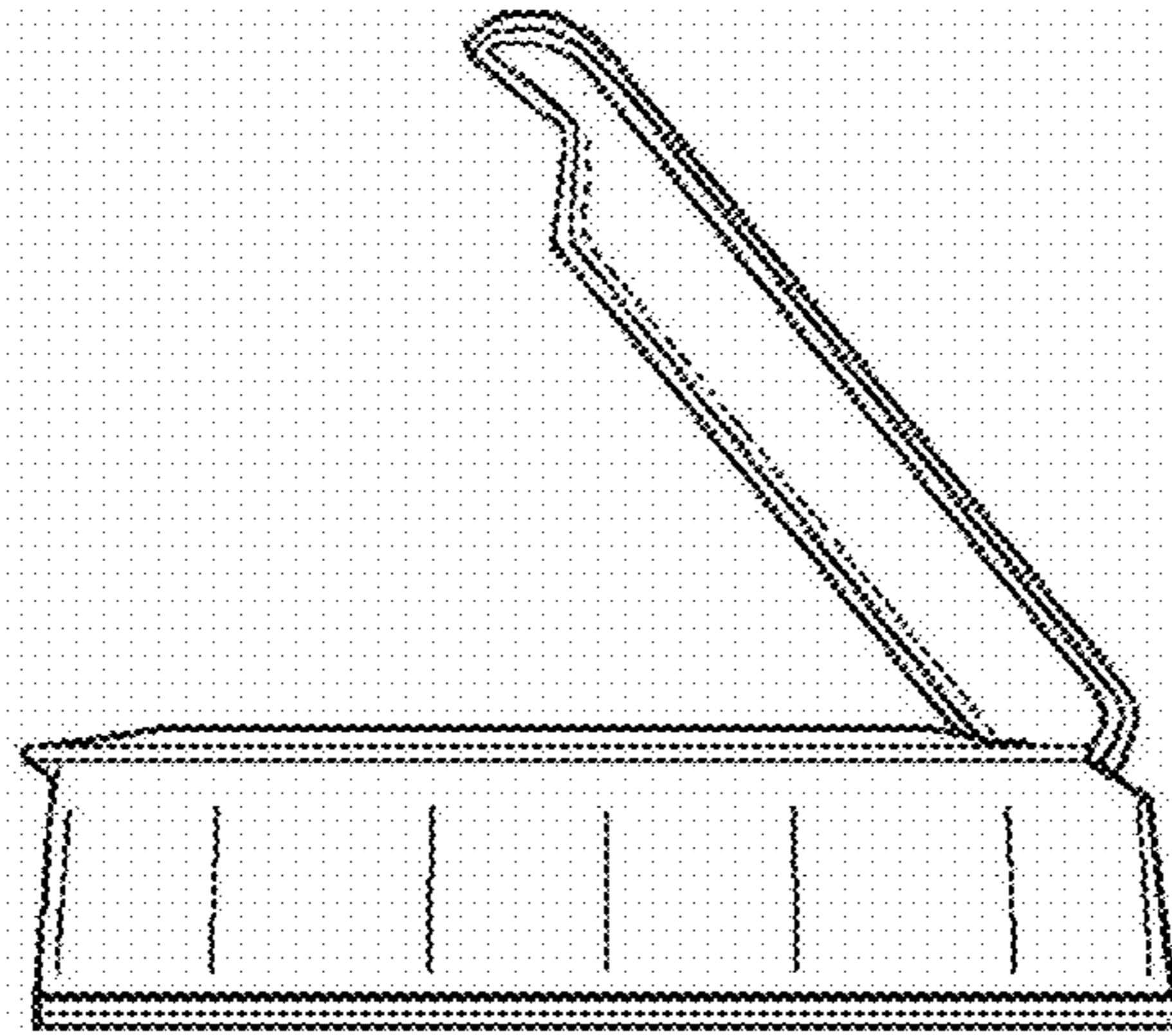


Fig. 5

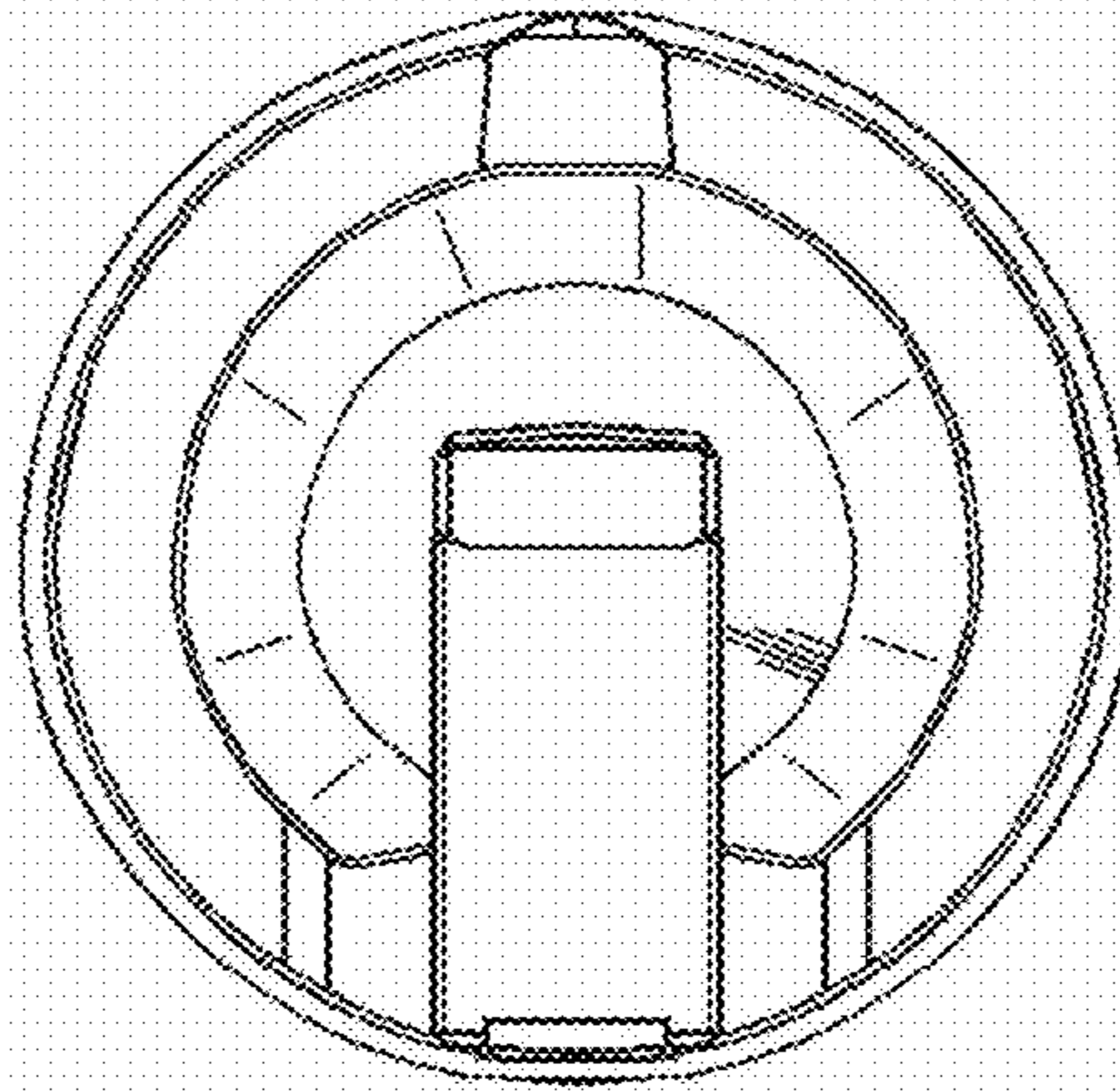
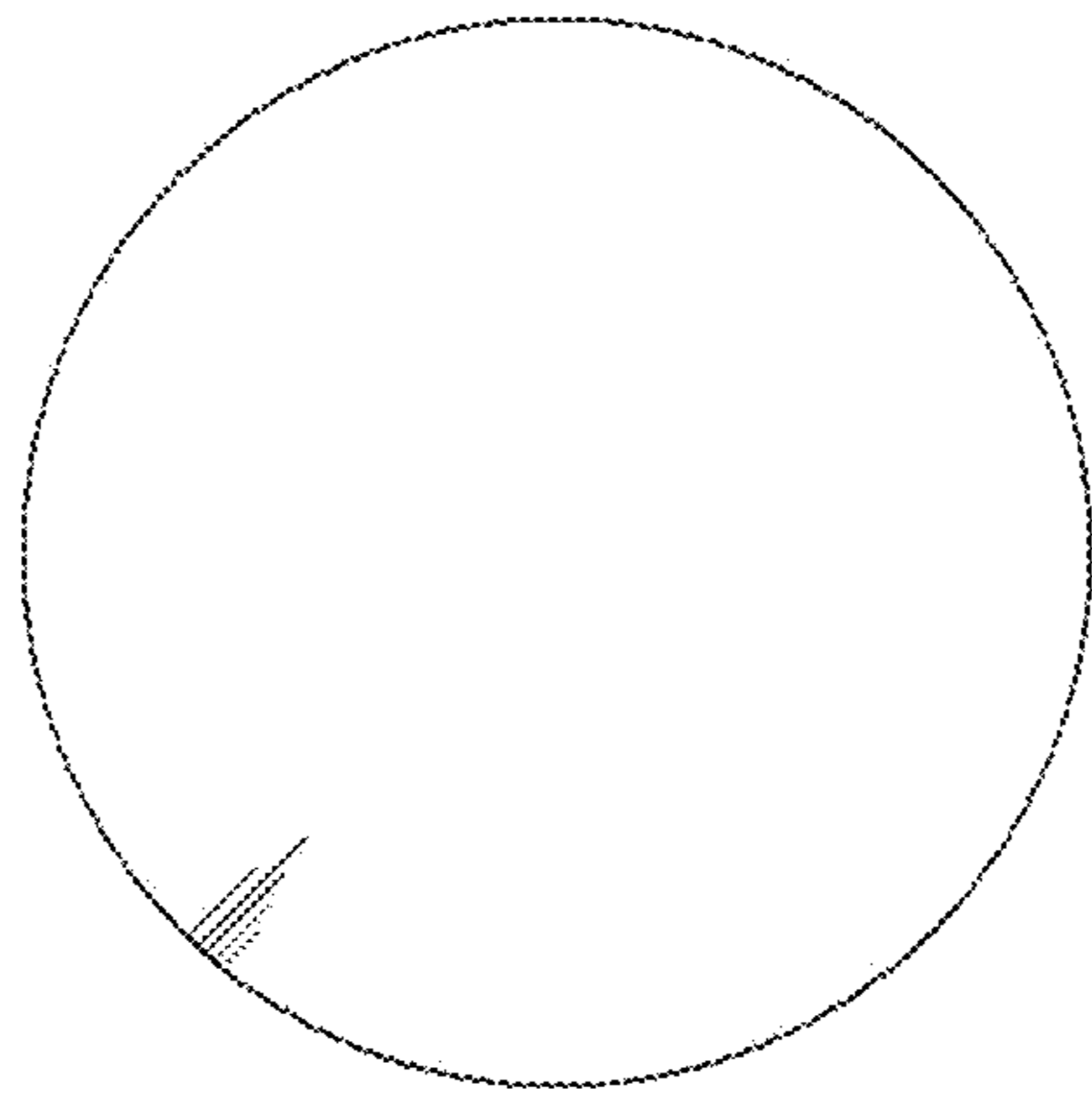


Fig. 6



**Fig. 7**